



US00D831545S

(12) **United States Design Patent** (10) **Patent No.:** **US D831,545 S**
Smock (45) **Date of Patent:** **** Oct. 23, 2018**

(54) **GRILLE**
(71) Applicant: **Honda Motor Co., Ltd.**, Minato-ku, Tokyo (JP)
(72) Inventor: **Randall Smock**, Redondo Beach, CA (US)
(73) Assignee: **HONDA MOTOR CO., LTD.**, Tokyo (JP)

D722,543 S 2/2015 Kato
D752,485 S 3/2016 Chung
D759,551 S * 6/2016 Nakahara D12/163
D788,662 S * 6/2017 Minami D12/190
(Continued)

(**) Term: **15 Years**
(21) Appl. No.: **29/566,213**
(22) Filed: **May 27, 2016**
(51) **LOC (11) Cl.** **12-16**
(52) **U.S. Cl.**
USPC **D12/163**
(58) **Field of Classification Search**
USPC D12/86, 91, 93, 163, 164, 166, 167, 169, D12/171, 172, 173, 190, 216
CPC B62D 25/08; B62B 9/16; B60K 11/08; B60R 19/52
See application file for complete search history.

FOREIGN PATENT DOCUMENTS

TW D141168 S1 6/2011
TW D154824 S1 7/2013

OTHER PUBLICATIONS

Notice of Allowance cited in related Taiwanese Design Application No. 105307102 dated Jun. 3, 2017.

Primary Examiner — Susan B Hattan
Assistant Examiner — Suzanne E Tisdell
(74) *Attorney, Agent, or Firm* — Arent Fox LLP

(57) **CLAIM**

The ornamental design for a grille, as shown and described.

DESCRIPTION

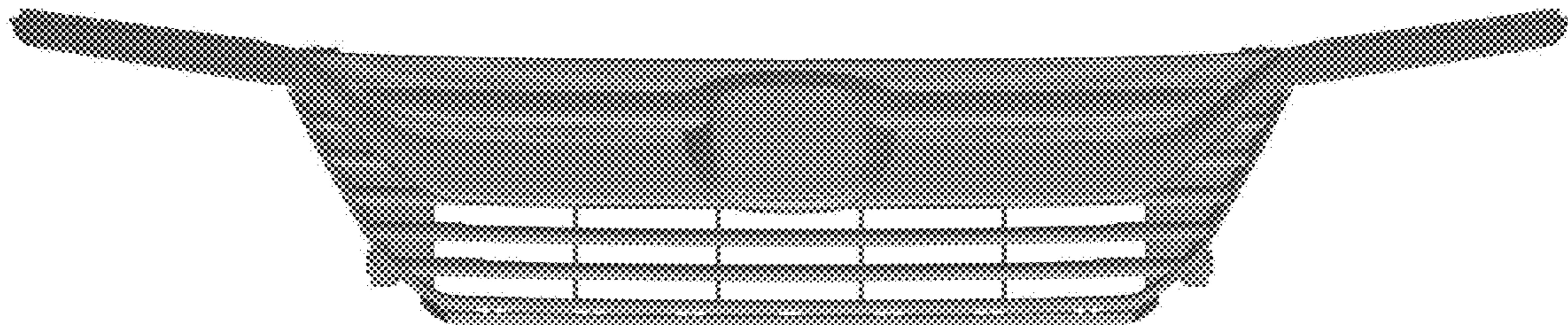
FIG. 1 is a top, rear, left perspective view of a grill-showing my new design;
FIG. 2 is a top, rear, right perspective view of the design shown in FIG. 1;
FIG. 3 is a top, front, right perspective view of the design shown in FIG. 1;
FIG. 4 is a top, front, left perspective view of the design shown in FIG. 1;
FIG. 5 is a rear view of the design shown in FIG. 1;
FIG. 6 is front view of the design shown in FIG. 1;
FIG. 7 is a right side view of the design shown in FIG. 1;
FIG. 8 is a left side view of the design shown in FIG. 1;
FIG. 9 is a top view of the design shown in FIG. 1; and,
FIG. 10 is a bottom view of the design shown in FIG. 1.
The broken lines depict portions of the grille that form not part of the claimed design.

(56) **References Cited**

U.S. PATENT DOCUMENTS

6,328,358 B1 * 12/2001 Berweiler B60R 19/52 180/68.6
D619,508 S * 7/2010 Choi D12/164
D633,012 S * 2/2011 Bauer D12/163
D635,897 S * 4/2011 Frei D12/163
D640,610 S * 6/2011 Schell D12/163
D645,795 S * 9/2011 Ishibashi D12/163
D663,656 S * 7/2012 Frenzel D12/163
D687,750 S * 8/2013 Frei D12/163
D687,751 S * 8/2013 Futschik D12/163
D692,358 S * 10/2013 Nakamuta D12/190
D699,163 S * 2/2014 Janssen D12/164
D701,798 S * 4/2014 Futschik D12/164
D711,790 S * 8/2014 Futschik D12/164
D721,019 S * 1/2015 Pevovar D12/163

1 Claim, 10 Drawing Sheets



(56)

References Cited

U.S. PATENT DOCUMENTS

D788,663 S * 6/2017 Minami D12/190
D788,664 S * 6/2017 Minami D12/190
D790,412 S * 6/2017 Dunford D12/163
2017/0129430 A1* 5/2017 Aizawa B60R 19/18
2017/0137954 A1* 5/2017 Hashimoto B60K 11/08

* cited by examiner

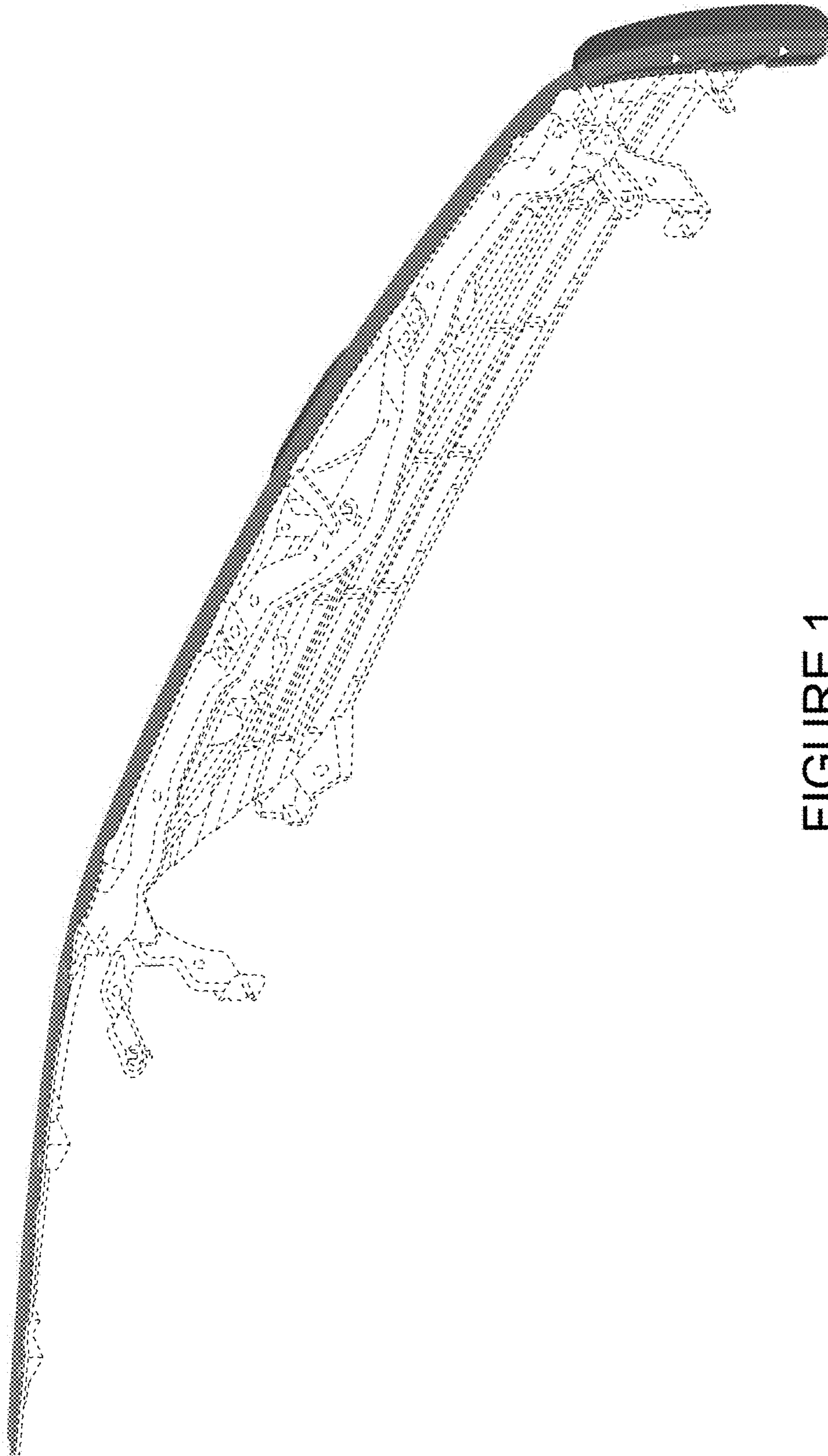


FIGURE 1

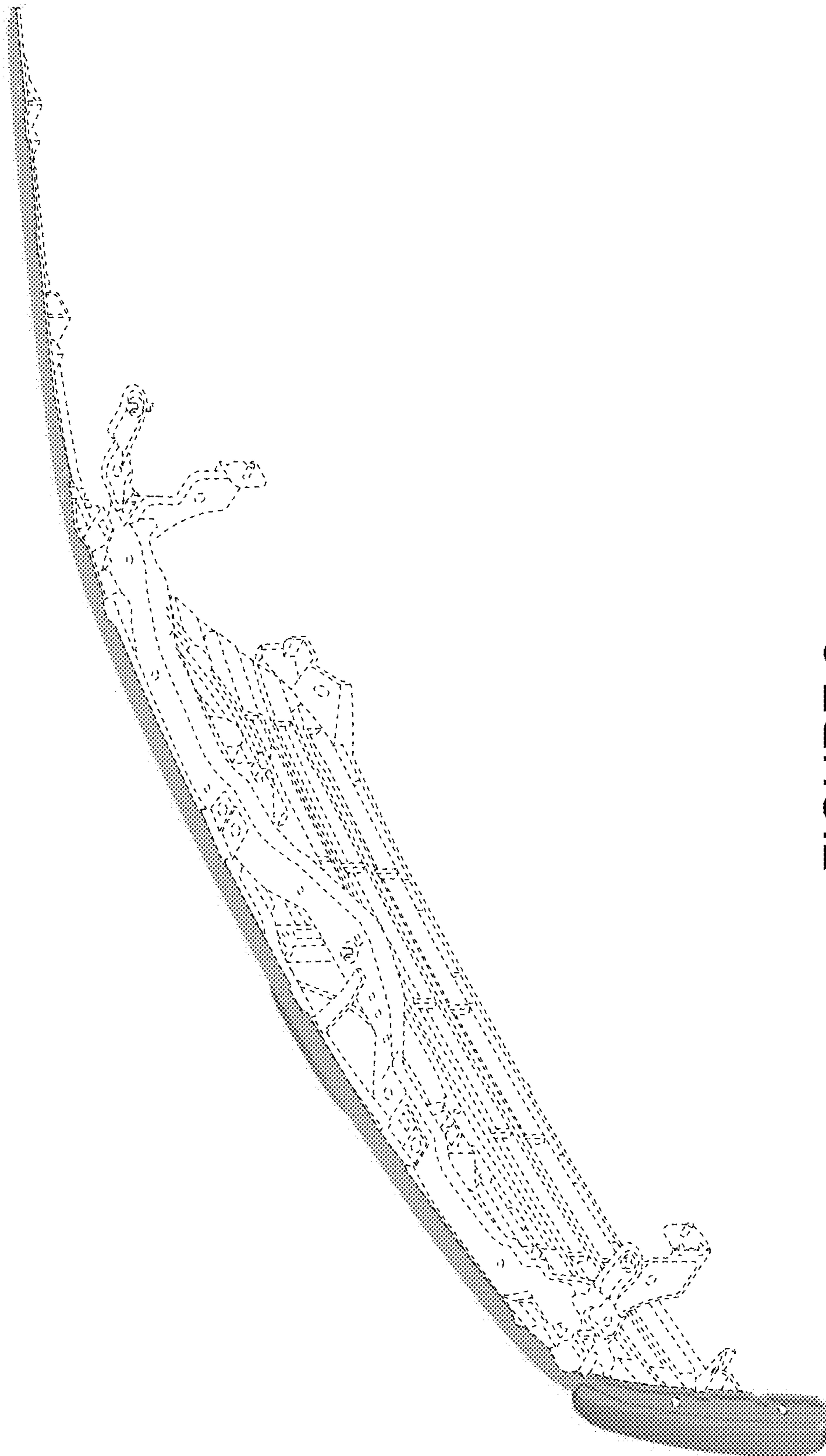


FIGURE 2

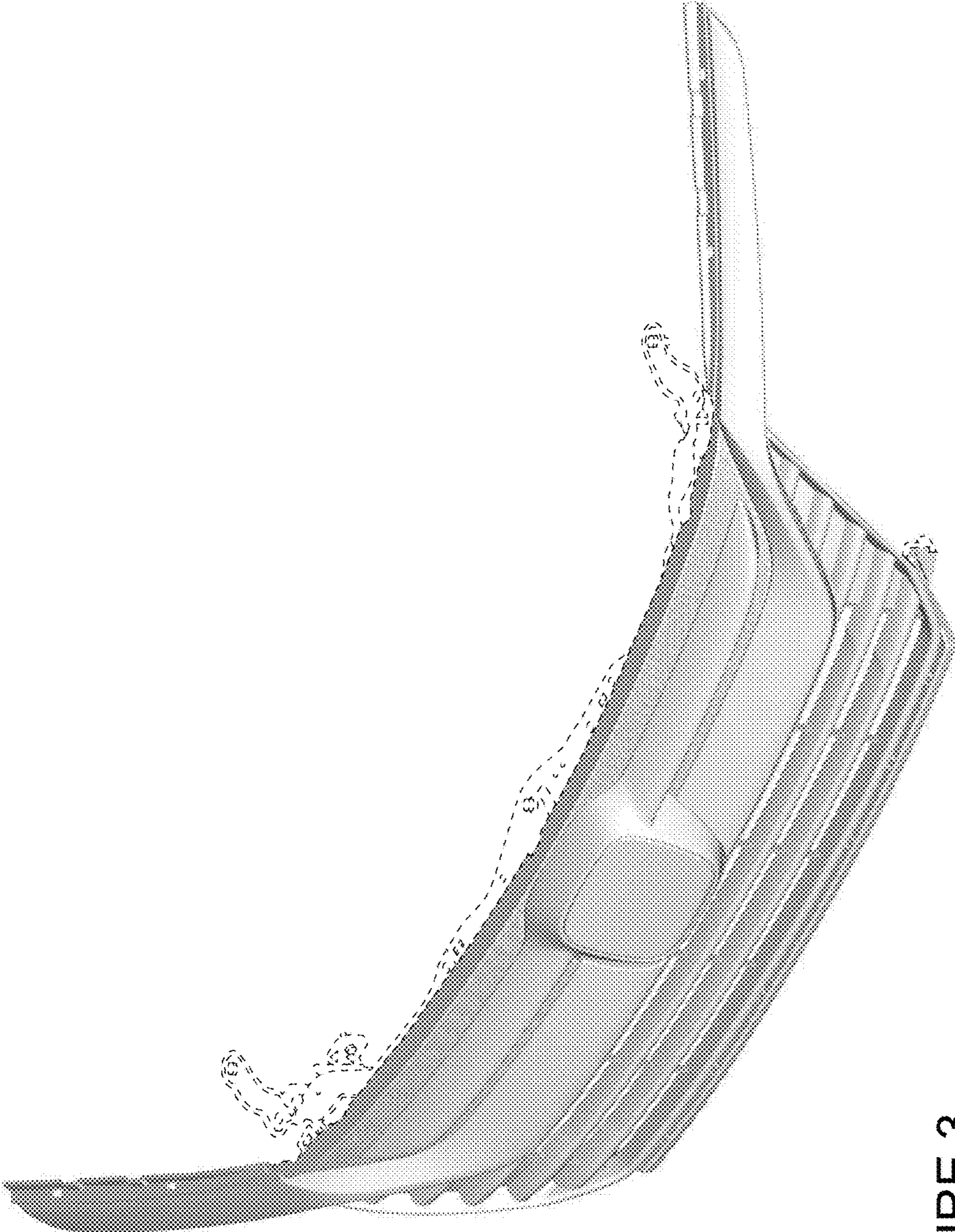


FIGURE 3

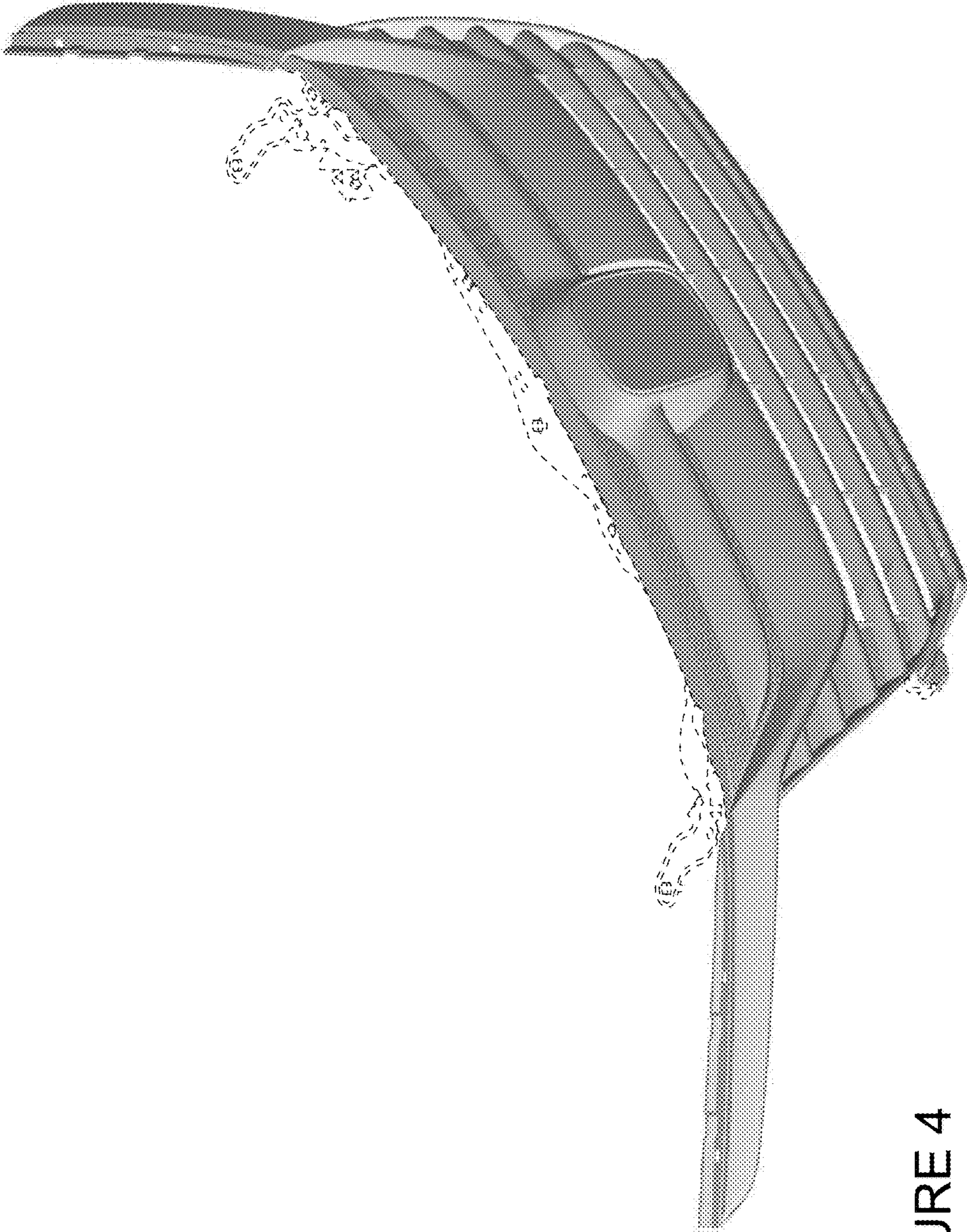


FIGURE 4

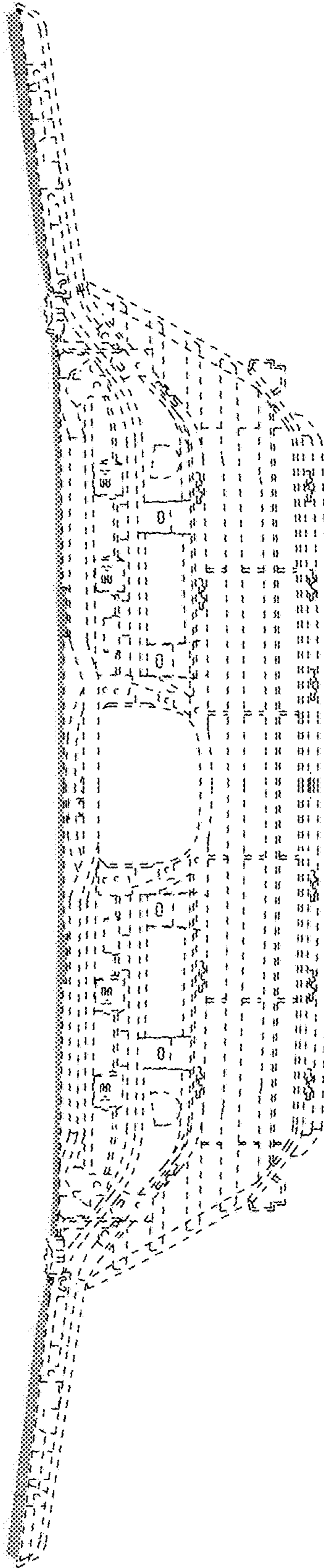


FIGURE 5

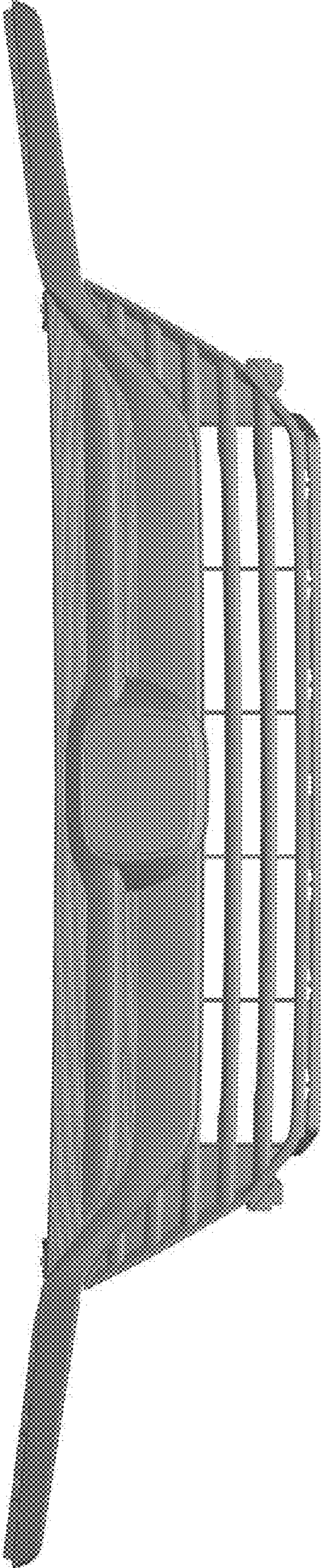


FIGURE 6

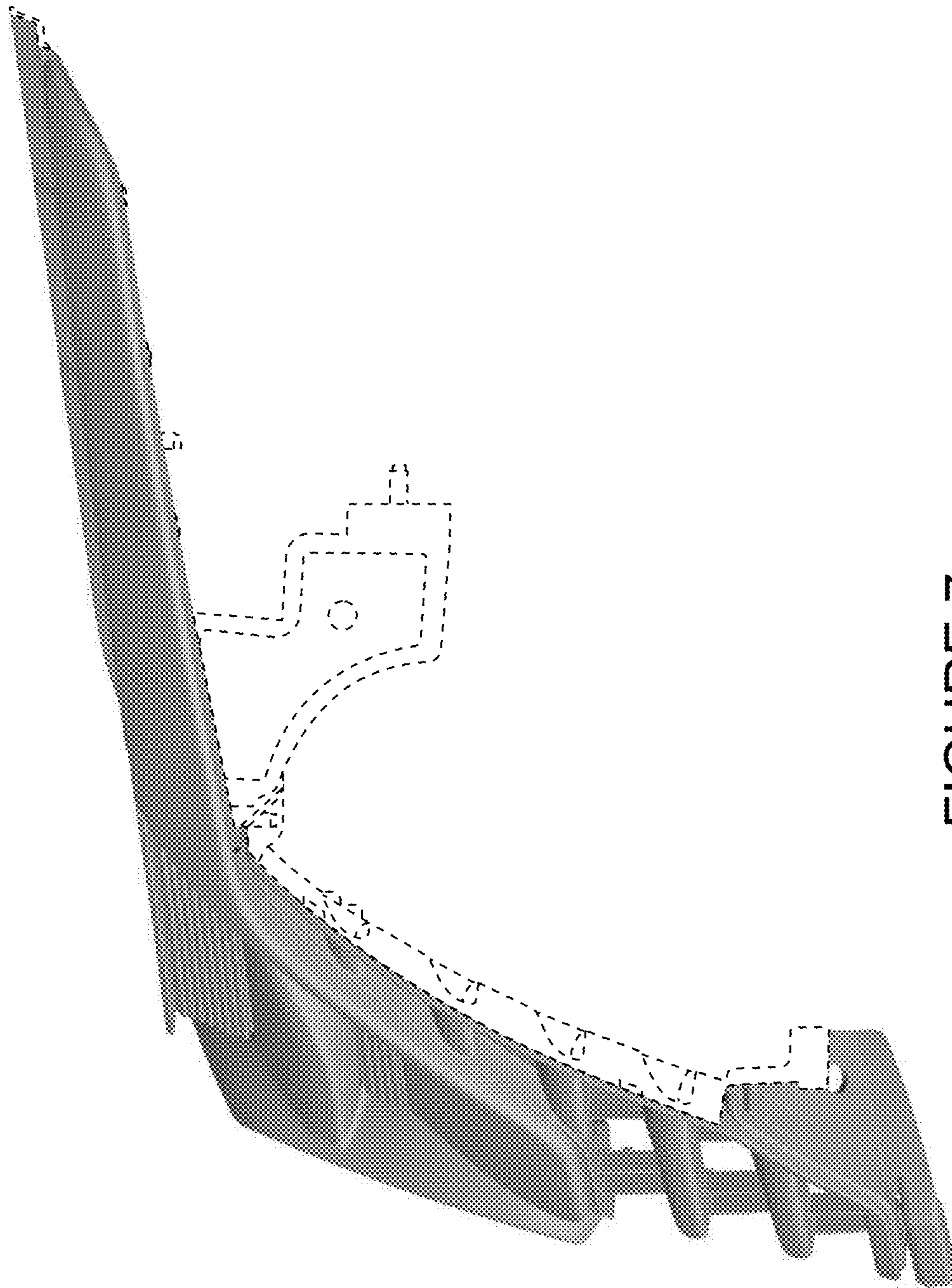


FIGURE 7

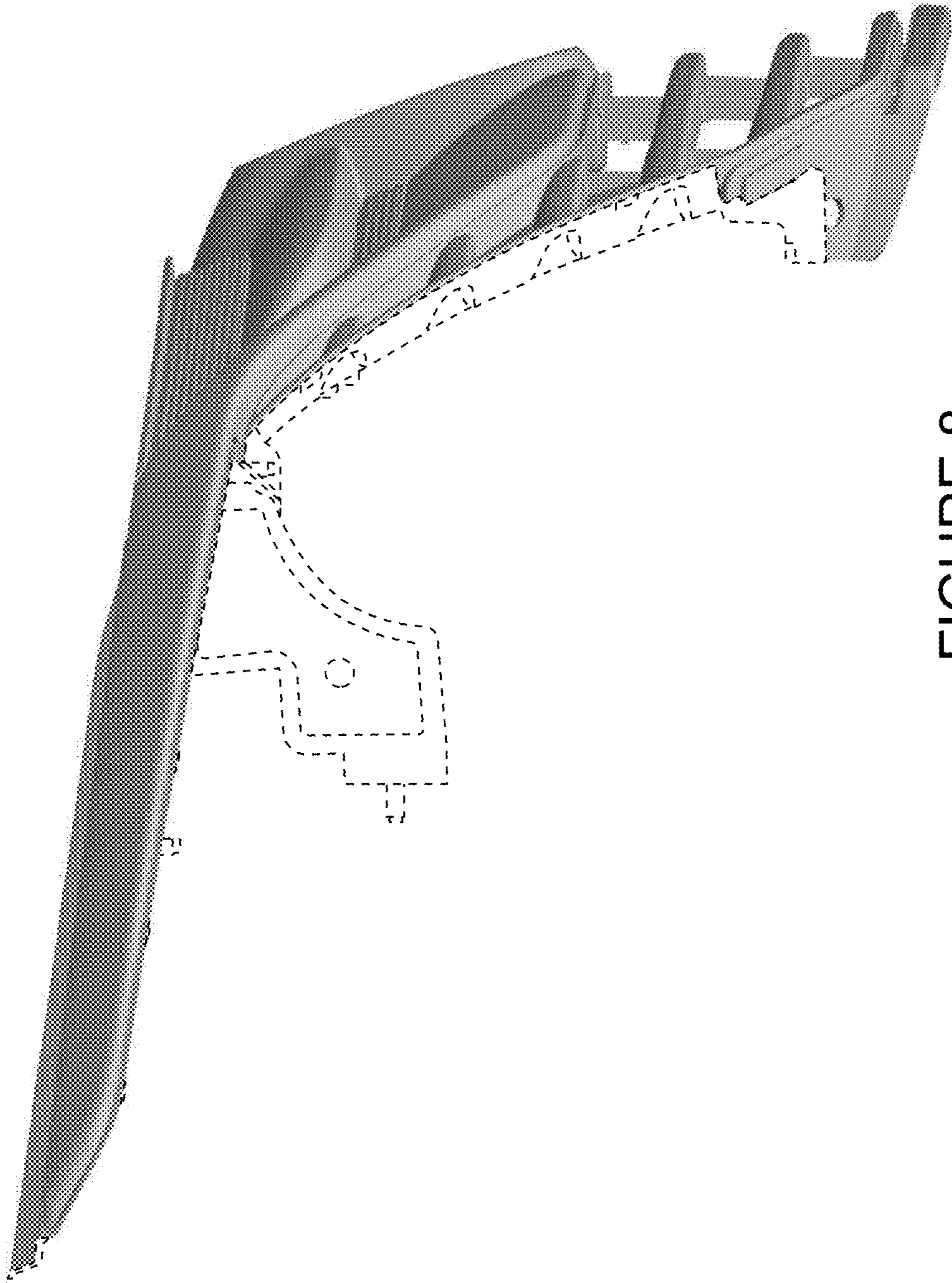


FIGURE 8

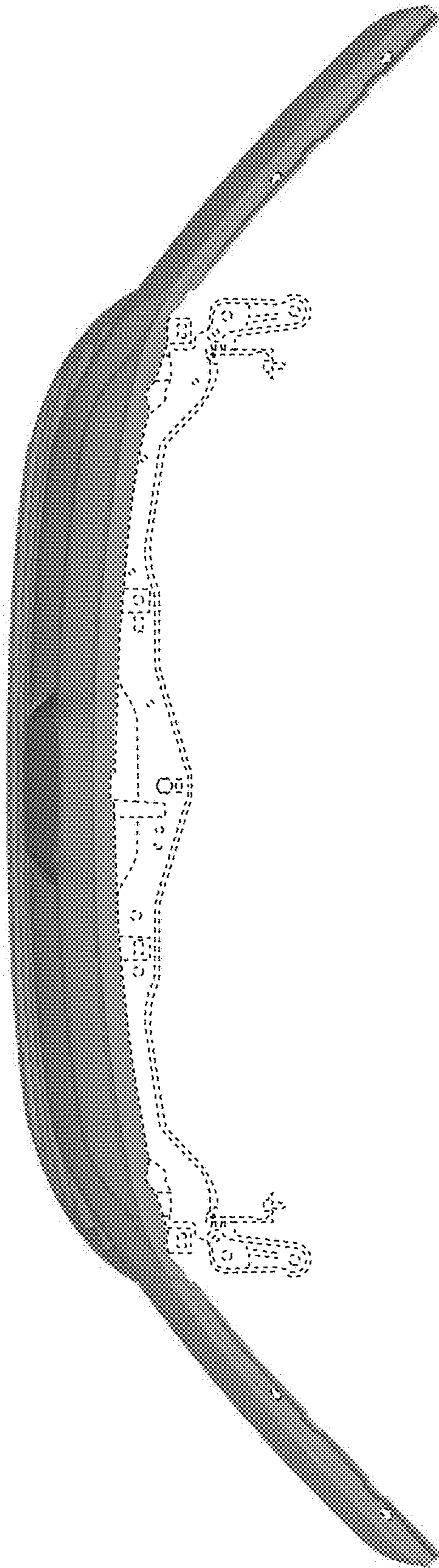


FIGURE 9

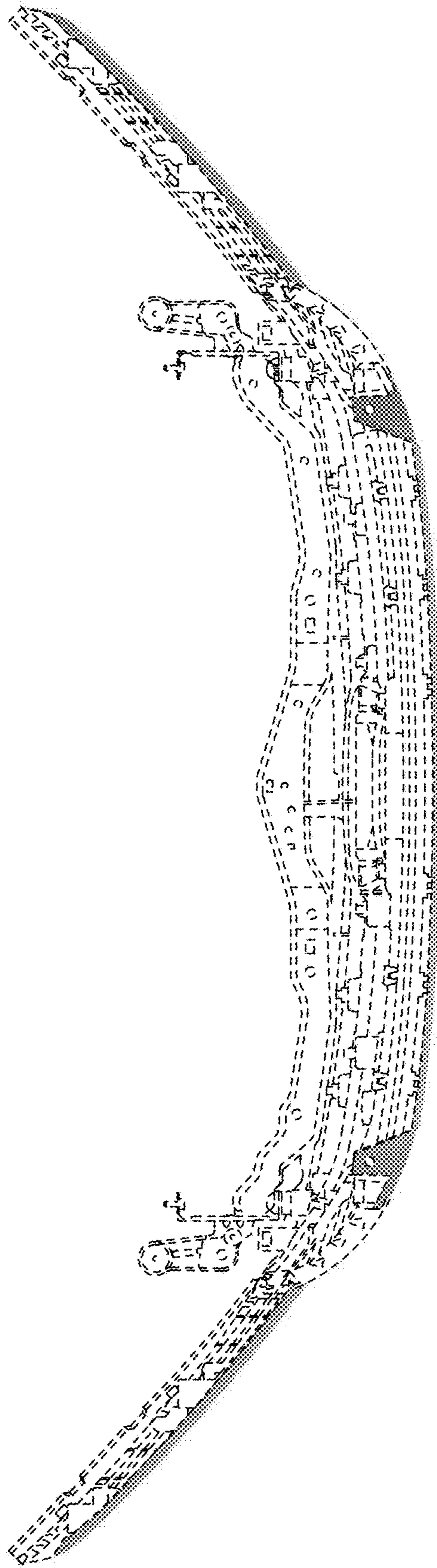


FIGURE 10