



US00D831541S

(12) **United States Design Patent** (10) **Patent No.:** **US D831,541 S**  
**Buckingham** (45) **Date of Patent:** **\*\* Oct. 23, 2018**

(54) **VEHICLE, TOY, AND/OR REPLICAS THEREOF**

(71) Applicant: **Bayerische Motoren Werke Aktiengesellschaft**, Munich (DE)

(72) Inventor: **John-Daniel Buckingham**, Woodland Hills, CA (US)

(73) Assignee: **Bayerische Motoren Werke Aktiengesellschaft**, Munich (DE)

(\*\*) Term: **15 Years**

(21) Appl. No.: **29/624,718**

(22) Filed: **Nov. 3, 2017**

(30) **Foreign Application Priority Data**

May 10, 2017 (DE) ..... 40 2017 100 574

(51) **LOC (11) Cl.** ..... **12-08**

(52) **U.S. Cl.**  
USPC ..... **D12/92**

(58) **Field of Classification Search**  
USPC ..... D12/86, 90-92; D21/424, 433, 434;  
296/181.1-181.5, 183.1

(Continued)

(56) **References Cited**

**U.S. PATENT DOCUMENTS**

D483,298 S 12/2003 van Hooydonk  
D605,085 S \* 12/2009 Weil ..... D12/92

(Continued)

**FOREIGN PATENT DOCUMENTS**

EM 001771015-0003 3/2012  
WO WO DM/063510 6/2003

*Primary Examiner* — Melody N Brown

(74) *Attorney, Agent, or Firm* — Crowell & Moring LLP

(57) **CLAIM**

The ornamental design for a vehicle, toy, and/or replicas thereof, as shown and described.

**DESCRIPTION**

This application contains subject matter related to the following co-pending U.S. design patent applications:

Application Ser. No. 29/624,709, filed herewith and entitled “Vehicle, Toy, and/or Replicas Thereof”;

Application Ser. No. 29/624,716, filed herewith and entitled “Vehicle, Toy, and/or Replicas Thereof”;

Application Ser. No. 29/624,719, filed herewith and entitled “Vehicle, Toy, and/or Replicas Thereof”;

Application Ser. No. 29/624,711, filed herewith and entitled “Headlight for a Vehicle”;

Application Ser. No. 29/624,712, filed herewith and entitled “Headlight for a Vehicle”;

Application Ser. No. 29/624,713, filed herewith and entitled “Taillight for a Vehicle”;

Application Ser. No. 29/624,715, filed herewith and entitled “Taillight for a Vehicle”;

Application Ser. No. 29/624,720, filed herewith and entitled “Hood for a Vehicle”;

Application Ser. No. 29/624,721, filed herewith and entitled “Front Bumper for a Vehicle”;

Application Ser. No. 29/624,723, filed herewith and entitled “Front Bumper for a Vehicle”;

Application Ser. No. 29/624,725, filed herewith and entitled “Front Fender for a Vehicle”;

Application Ser. No. 29/624,727, filed herewith and entitled “Door for a Vehicle”;

Application Ser. No. 29/624,733, filed herewith and entitled “Rear Fender for a Vehicle”;

Application Ser. No. 29/624,735, filed herewith and entitled “Radiator Grille for a Vehicle”;

Application Ser. No. 29/624,740, filed herewith and entitled “Trunk Lid for a Vehicle”;

Application Ser. No. 29/624,742, filed herewith and entitled “Rear Bumper for a Vehicle”; and

Application Ser. No. 29/624,745, filed herewith and entitled “Rear Bumper for a Vehicle”.

FIG. 1 is a left, front perspective view of a vehicle, toy, and/or replicas thereof according to the design;

(Continued)

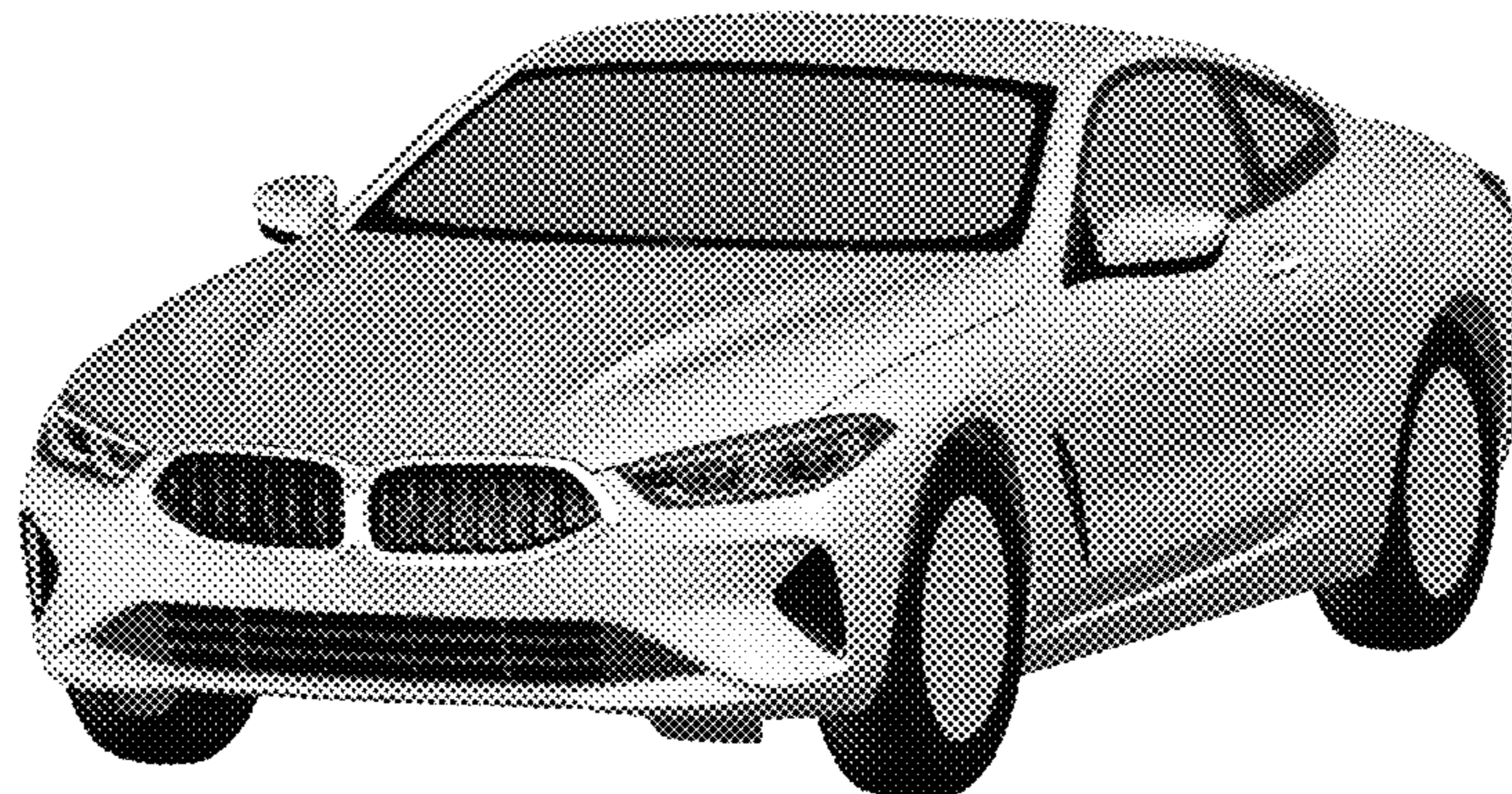


FIG. 2 is a left side view thereof;  
 FIG. 3 is a right side view thereof;  
 FIG. 4 is a right, rear perspective view thereof;  
 FIG. 5 is a front view thereof;  
 FIG. 6 is a rear view thereof; and,  
 FIG. 7 is a top view thereof.

**1 Claim, 7 Drawing Sheets**

(58) **Field of Classification Search**

CPC ..... B62D 25/00; B62D 25/06; B62D 33/00;  
 B62D 35/00

See application file for complete search history.

(56) **References Cited**

U.S. PATENT DOCUMENTS

D620,843 S \* 8/2010 Froehlich ..... D12/92  
 D638,754 S 5/2011 Faghihzadeh  
 D686,534 S \* 7/2013 Weil ..... D12/92

D710,760 S \* 8/2014 Johnson ..... D12/91  
 D716,187 S \* 10/2014 Beermann ..... D12/92  
 D716,189 S \* 10/2014 Nordmann ..... D12/92  
 D727,796 S \* 4/2015 Weil ..... D12/92  
 D727,797 S \* 4/2015 Weil ..... D12/92  
 D728,429 S \* 5/2015 Nissl ..... D12/92  
 D738,787 S \* 9/2015 Clottu ..... D12/92  
 D740,175 S \* 10/2015 Bischoff ..... D12/88  
 D742,283 S \* 11/2015 Forsgren ..... D12/92  
 D743,846 S \* 11/2015 Guille ..... D12/92  
 D757,607 S \* 5/2016 Nissl ..... D12/91  
 D759,543 S \* 6/2016 Nissl ..... D12/92  
 D761,693 S \* 7/2016 Lian ..... D12/91  
 D761,695 S \* 7/2016 Faghihzadeh ..... D12/92  
 D762,524 S \* 8/2016 Luk ..... D12/91  
 D764,979 S \* 8/2016 Faghihzadeh ..... D12/92  
 D774,416 S \* 12/2016 Perini ..... D12/88  
 D776,005 S \* 1/2017 Forschner ..... D12/91  
 D787,377 S \* 5/2017 Al Attar ..... D12/92  
 D787,986 S \* 5/2017 Kang ..... D12/88  
 D803,100 S \* 11/2017 Forschner ..... D12/92  
 D813,726 S \* 3/2018 Tanghe ..... D12/91  
 D813,727 S \* 3/2018 Beermann ..... D12/92

\* cited by examiner

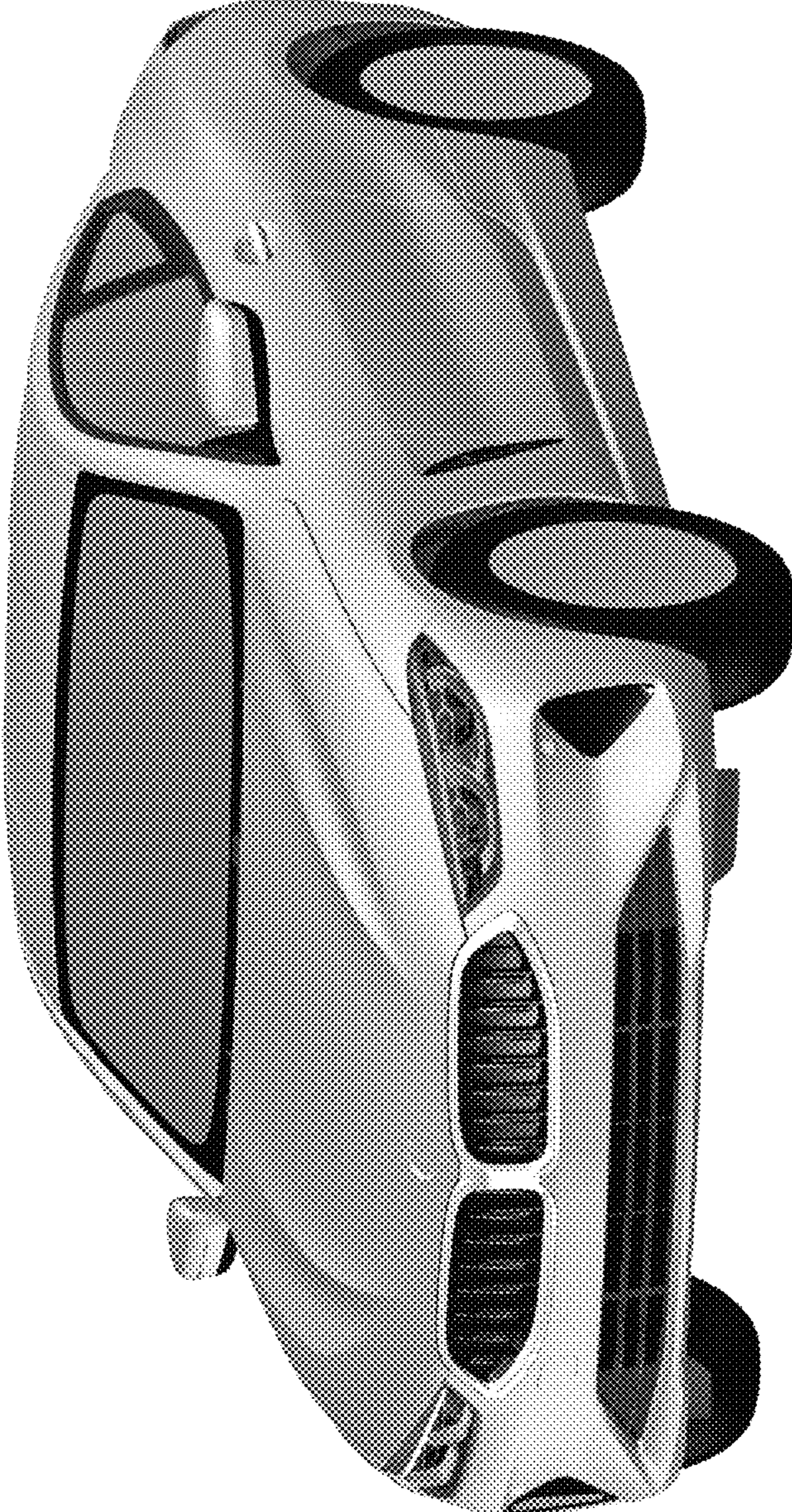


Fig. 1

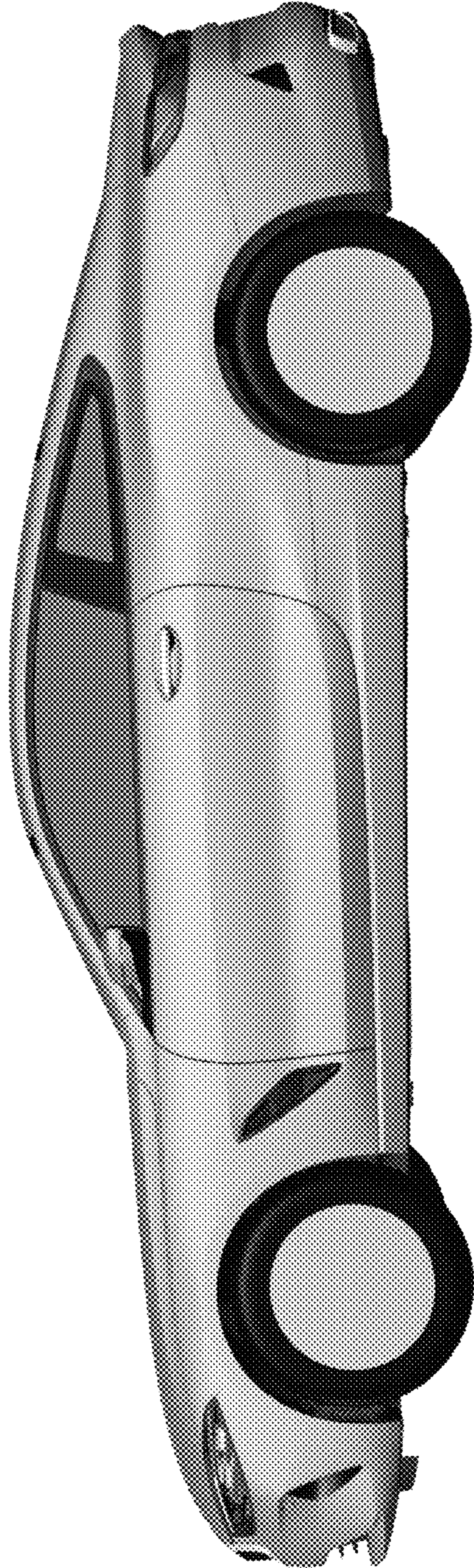


Fig. 2

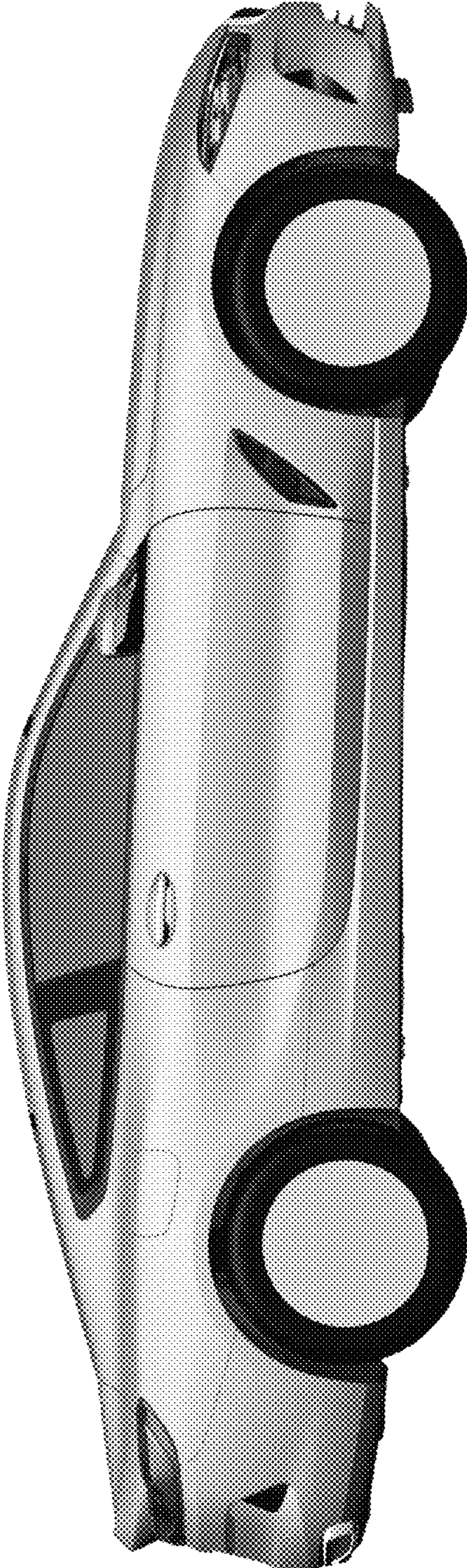


Fig. 3



Fig. 4

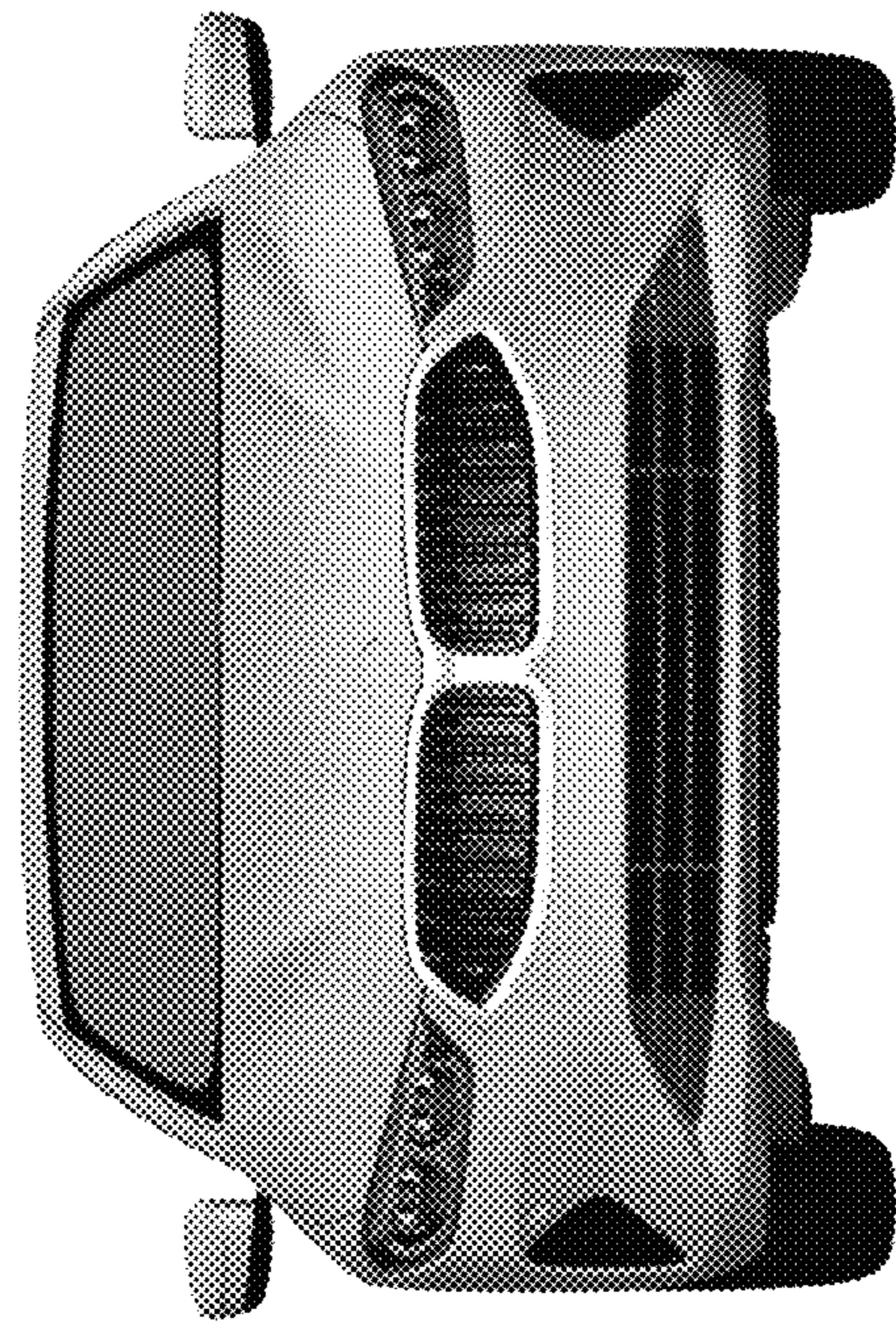


Fig. 5

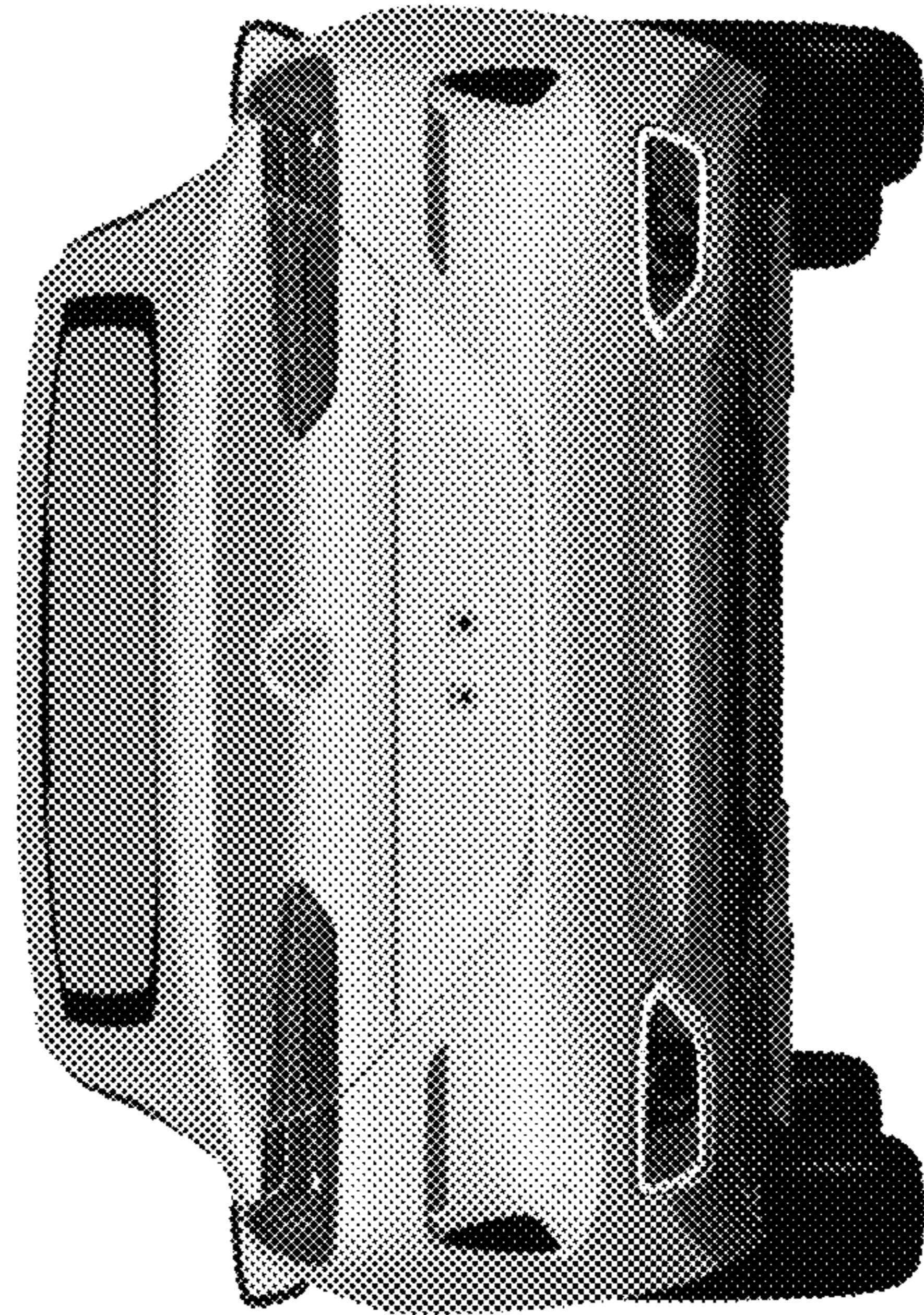


Fig. 6



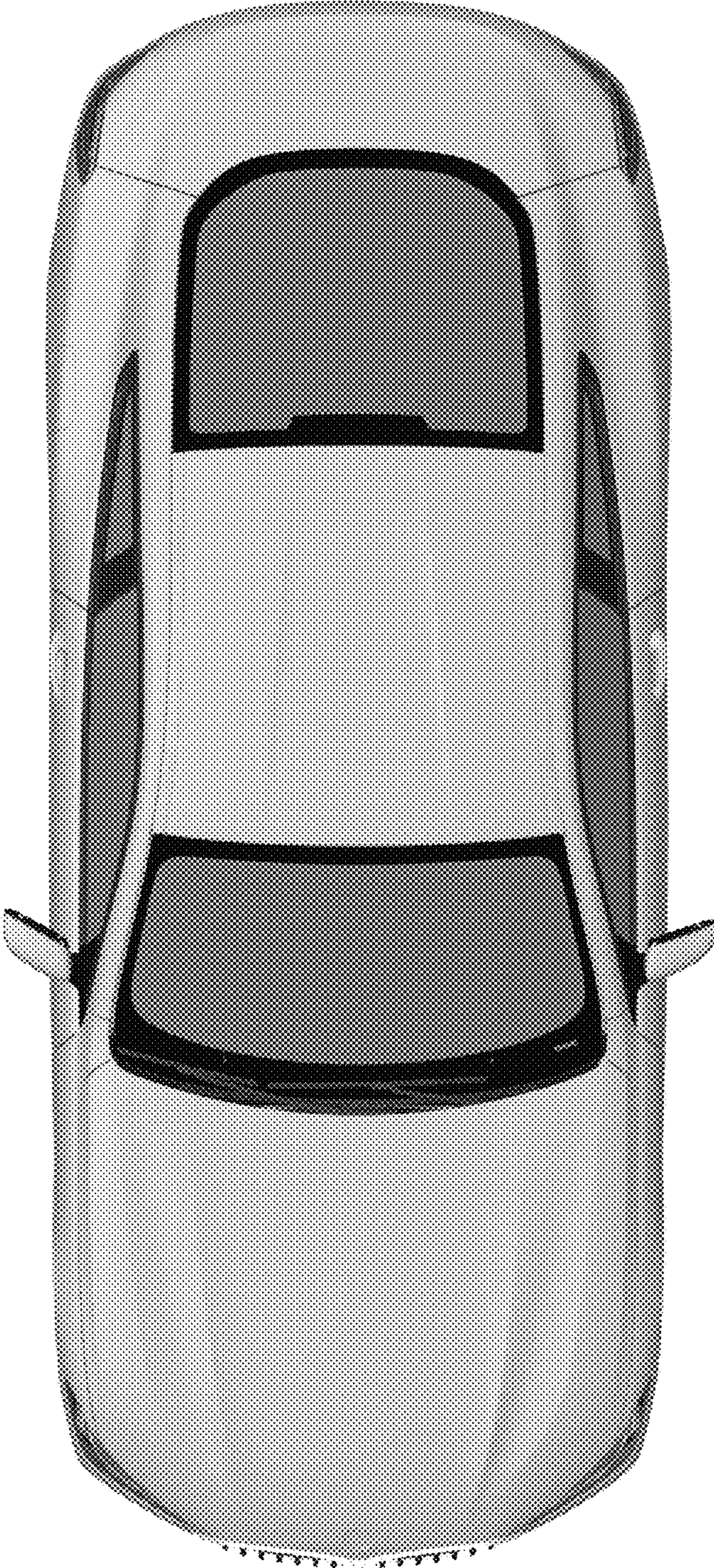


Fig. 7