



US00D831540S

(12) **United States Design Patent**
Buckingham

(10) **Patent No.:** **US D831,540 S**
(45) **Date of Patent:** **** Oct. 23, 2018**

(54) **VEHICLE, TOY, AND/OR REPLICAS THEREOF**

(71) Applicant: **Bayerische Motoren Werke Aktiengesellschaft, Munich (DE)**

(72) Inventor: **John-Daniel Buckingham, Woodland Hills, CA (US)**

(73) Assignee: **Bayerische Motoren Werke Aktiengesellschaft, Munich (DE)**

(**) Term: **15 Years**

(21) Appl. No.: **29/624,716**

(22) Filed: **Nov. 3, 2017**

(30) **Foreign Application Priority Data**

May 10, 2017 (DE) 40 2017 100 574

(51) **LOC (11) Cl.** **12-08**

(52) **U.S. Cl.**
USPC **D12/92**

(58) **Field of Classification Search**
USPC D12/86, 90-92; D21/424, 433, 434;
296/181.1-181.5, 183.1
(Continued)

(56) **References Cited**

U.S. PATENT DOCUMENTS

D500,709 S 1/2005 van Hooydonk
D605,085 S * 12/2009 Weil D12/92
(Continued)

FOREIGN PATENT DOCUMENTS

EM 000122569-0001 2/2004
EM 001771015-0002 3/2012

Primary Examiner — Melody N Brown

(74) *Attorney, Agent, or Firm* — Crowell & Moring LLP

(57) **CLAIM**

The ornamental design for a vehicle, toy, and/or replicas thereof, as shown and described.

DESCRIPTION

This application contains subject matter related to the following co-pending U.S. design patent applications:

Application Ser. No. 29/624,718, filed herewith and entitled "Vehicle, Toy, and/or Replicas Thereof";

Application Ser. No. 29/624,719, filed herewith and entitled "Vehicle, Toy, and/or Replicas Thereof";

Application Ser. No. 29/624,711, filed herewith and entitled "Headlight for a Vehicle";

Application Ser. No. 29/624,712, filed herewith and entitled "Headlight for a Vehicle";

Application Ser. No. 29/624,713, filed herewith and entitled "Taillight for a Vehicle";

Application Ser. No. 29/624,715, filed herewith and entitled "Taillight for a Vehicle";

Application Ser. No. 29/624,720, filed herewith and entitled "Hood for a Vehicle";

Application Ser. No. 29/624,721, filed herewith and entitled "Front Bumper for a Vehicle";

Application Ser. No. 29/624,723, filed herewith and entitled "Front Bumper for a Vehicle";

Application Ser. No. 29/624,725, filed herewith and entitled "Front Fender for a Vehicle";

Application Ser. No. 29/624,727, filed herewith and entitled "Door for a Vehicle";

Application Ser. No. 29/624,731, filed herewith and entitled "Rear Fender for a Vehicle";

Application Ser. No. 29/624,735, filed herewith and entitled "Radiator Grille for a Vehicle";

Application Ser. No. 29/624,739, filed herewith and entitled "Trunk Lid for a Vehicle";

Application Ser. No. 29/624,742, filed herewith and entitled "Rear Bumper for a Vehicle"; and

Application Ser. No. 29/624,745, filed herewith and entitled "Rear Bumper for a Vehicle".

FIG. 1 is a left, front perspective view of a vehicle, toy, and/or replicas thereof according to the design;

FIG. 2 is a left side view thereof;

FIG. 3 is a right side view thereof;

(Continued)

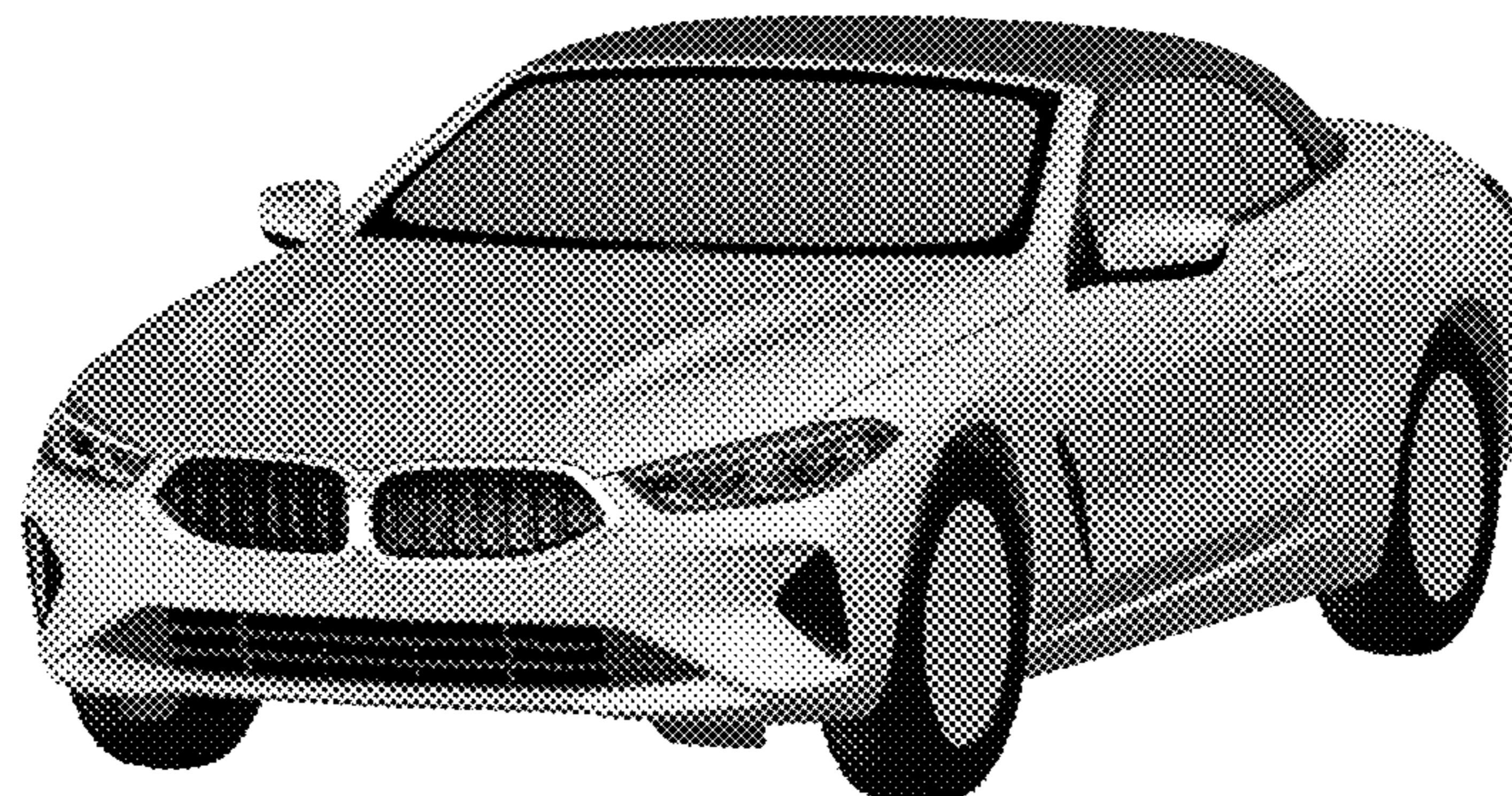


FIG. 4 is a right, rear perspective view thereof;
FIG. 5 is a front view thereof;
FIG. 6 is a rear view thereof; and,
FIG. 7 is a top view thereof.

1 Claim, 7 Drawing Sheets

(58) **Field of Classification Search**

CPC B62D 25/00; B62D 25/06; B62D 33/00;
B62D 35/00

See application file for complete search history.

(56) **References Cited**

U.S. PATENT DOCUMENTS

D620,843 S * 8/2010 Froehlich D12/92
D638,753 S 5/2011 Faghihzadeh
D686,534 S * 7/2013 Weil D12/92
D710,760 S * 8/2014 Johnson D12/91

D716,187 S * 10/2014 Beermann D12/92
D716,189 S * 10/2014 Nordmann D12/92
D727,796 S * 4/2015 Weil D12/92
D727,797 S * 4/2015 Weil D12/92
D728,429 S * 5/2015 Nissl D12/92
D738,787 S * 9/2015 Clottu D12/92
D740,175 S * 10/2015 Bischoff D12/88
D742,283 S * 11/2015 Forsgren D12/92
D743,846 S * 11/2015 Guille D12/92
D757,607 S * 5/2016 Nissl D12/91
D759,543 S * 6/2016 Nissl D12/92
D761,693 S * 7/2016 Lian D12/91
D761,695 S * 7/2016 Faghihzadeh D12/92
D762,524 S * 8/2016 Luk D12/91
D764,979 S * 8/2016 Faghihzadeh D12/92
D774,416 S * 12/2016 Perini D12/88
D776,005 S * 1/2017 Forschner D12/91
D787,377 S * 5/2017 Al Attar D12/92
D787,986 S * 5/2017 Kang D12/88
D803,100 S * 11/2017 Forschner D12/92
D813,726 S * 3/2018 Tanghe D12/91
D813,727 S * 3/2018 Beermann D12/92

* cited by examiner



Fig. 1

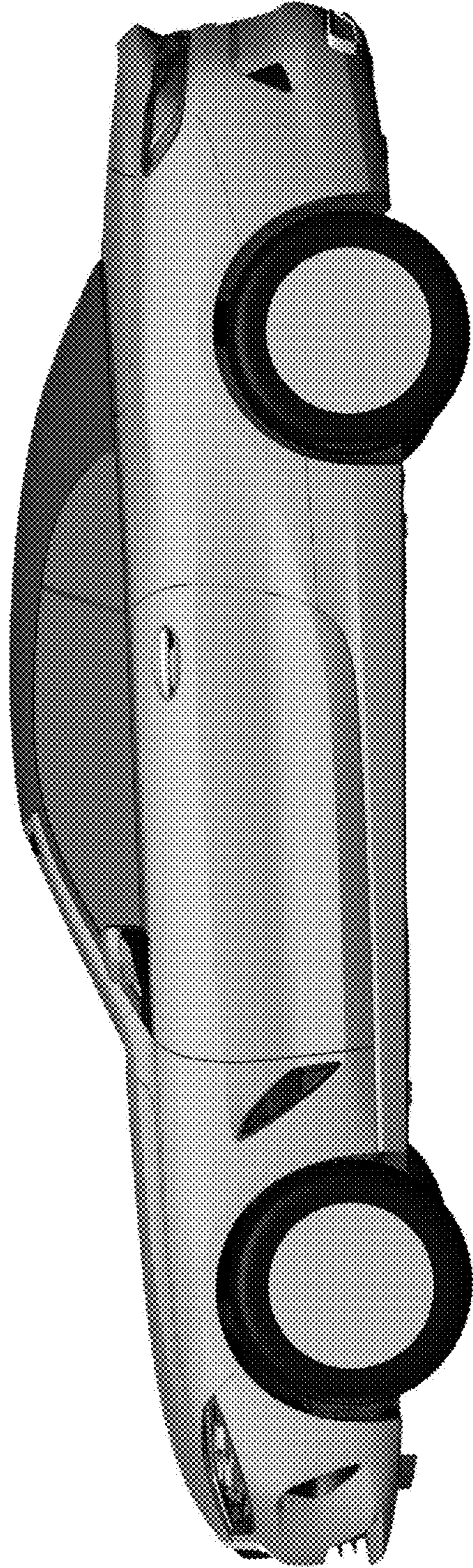


Fig. 2

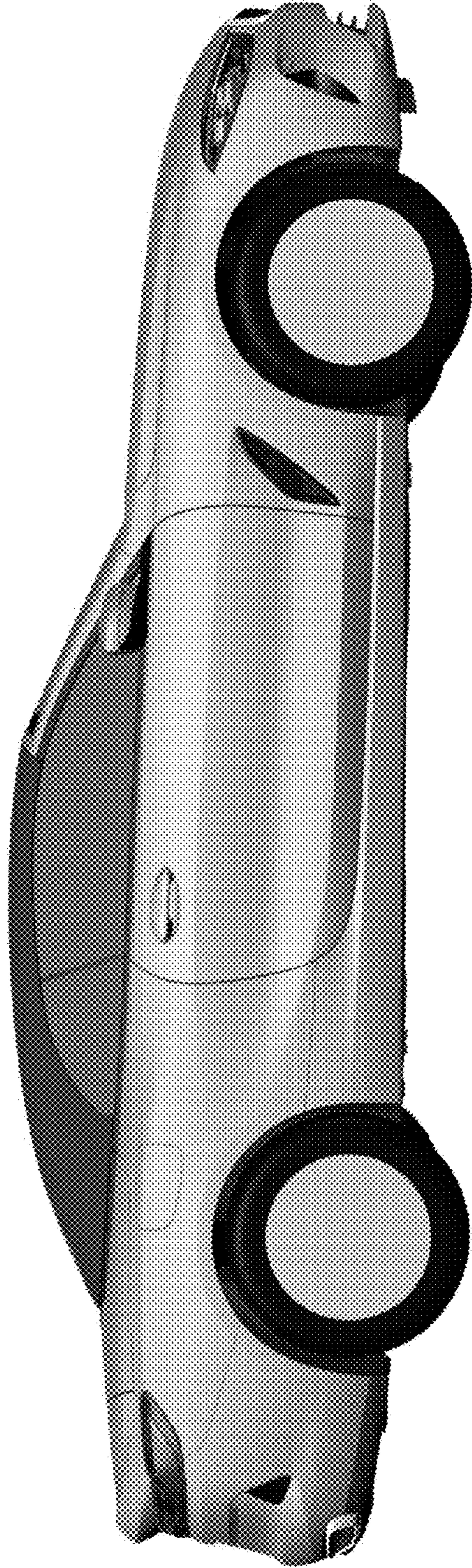


Fig. 3

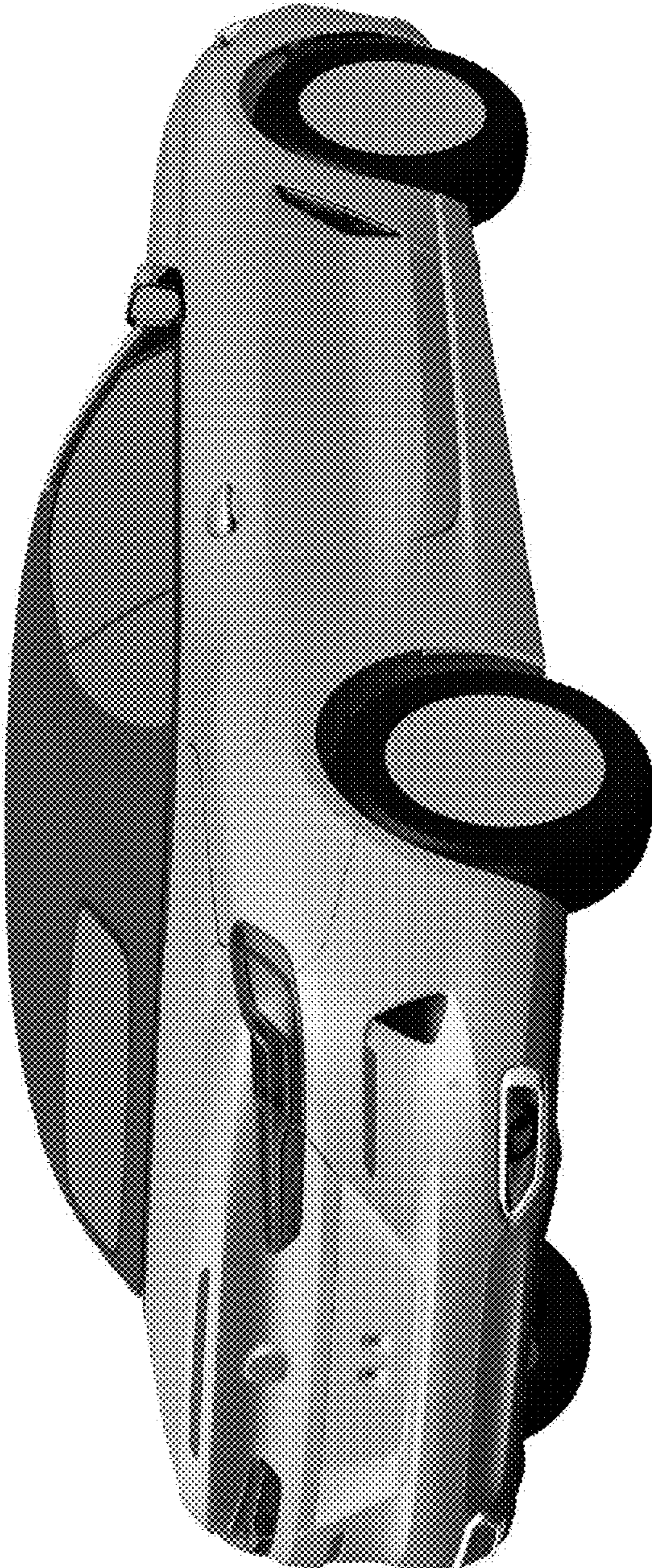


Fig. 4

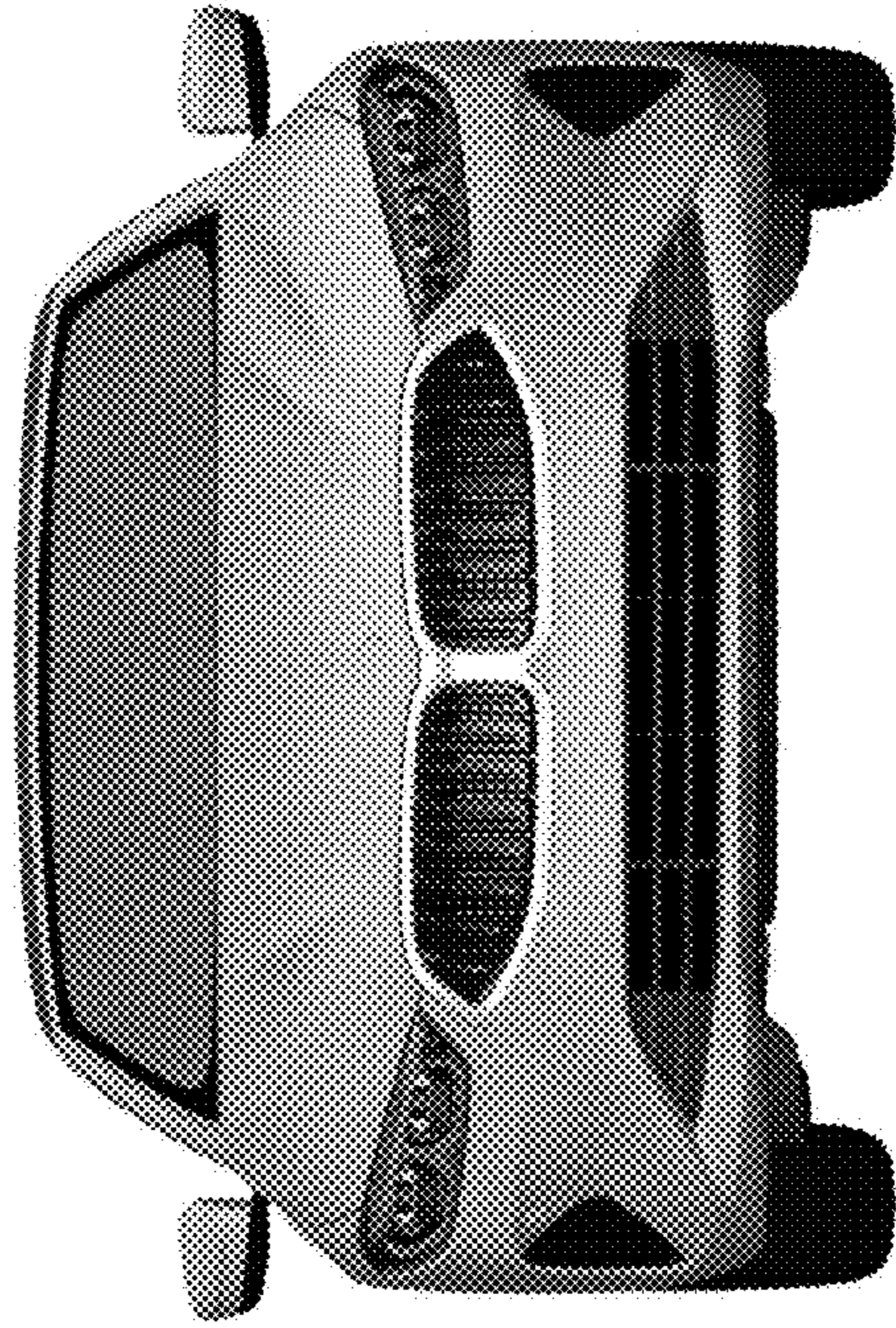


Fig. 5

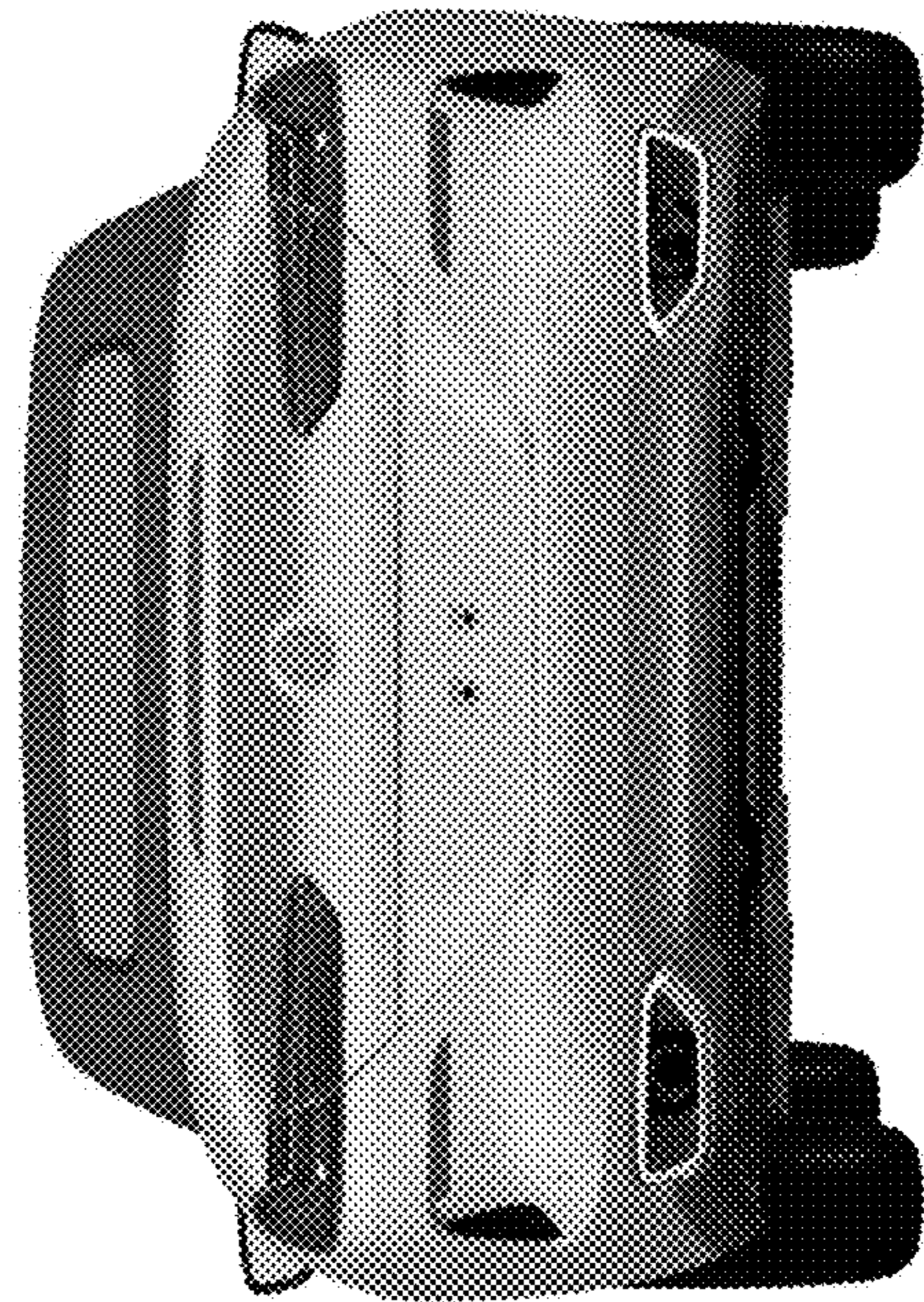


Fig. 6

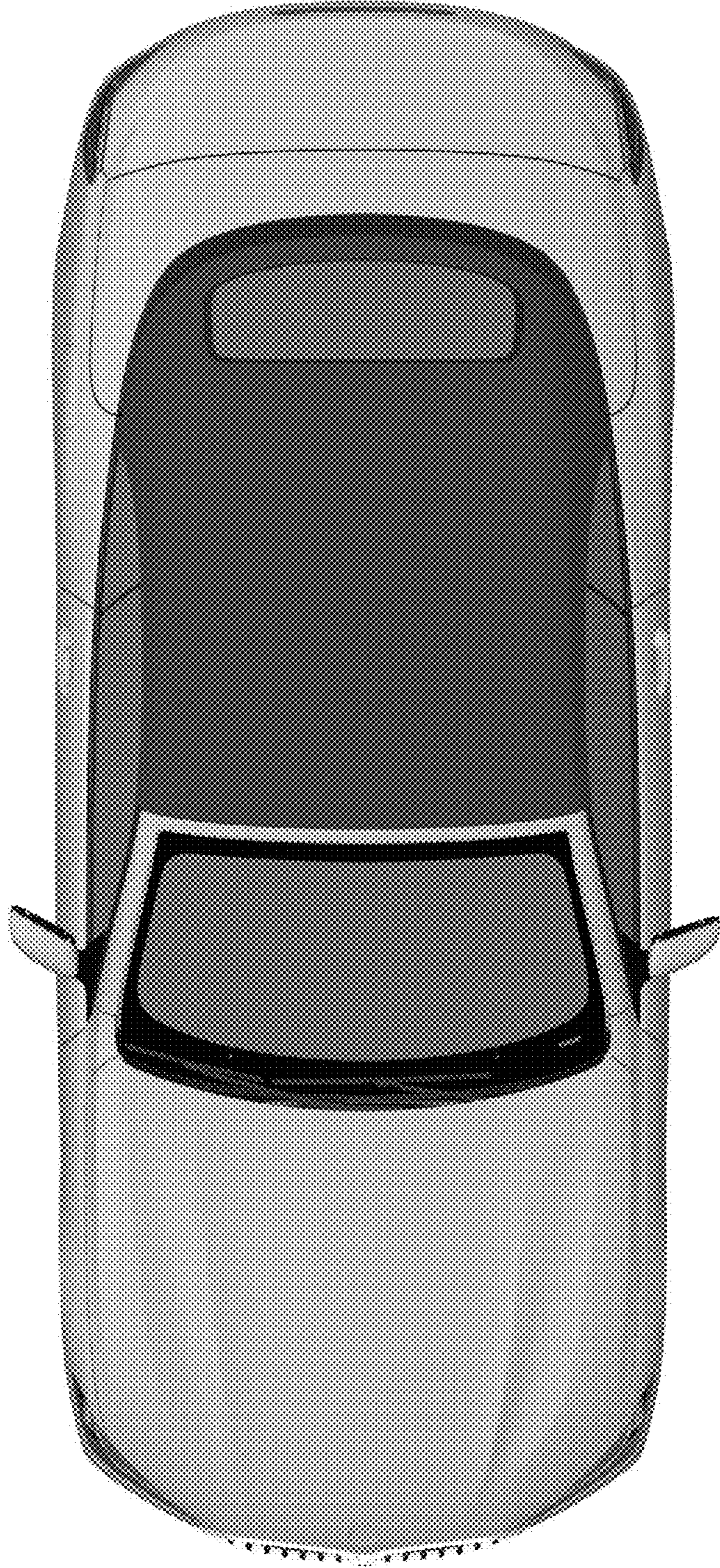


Fig. 7