



US00D831538S

(12) **United States Design Patent** (10) **Patent No.:** **US D831,538 S**
Gan (45) **Date of Patent:** **** Oct. 23, 2018**

- (54) **UNMANNED AERIAL VEHICLE**
- (71) Applicant: **NINGBO PELICAN DRONE CO., LTD.**, Ningbo (CN)
- (72) Inventor: **Tao Gan**, Melbourne (AU)
- (73) Assignee: **NINGBO PELICAN DRONE CO., LTD.**, Ningbo (CN)
- (**) Term: **15 Years**
- (21) Appl. No.: **29/610,064**
- (22) Filed: **Jul. 9, 2017**
- (51) **LOC (11) Cl.** **12-07**
- (52) **U.S. Cl.**
USPC **D12/16.1; D12/328**
- (58) **Field of Classification Search**
USPC D12/16.1, 319-345; D21/436, 441, 442,
D21/443, 444, 447-454
CPC B64C 2201/141; B64C 39/024; B64C
2201/127
See application file for complete search history.

- D784,854 S * 4/2017 Huang D12/16.1
- D785,541 S * 5/2017 Du D12/328
- D795,967 S * 8/2017 Haley D12/16.1
- D796,586 S * 9/2017 Chen D12/16.1
- D798,961 S * 10/2017 Li D21/441
- D800,602 S * 10/2017 Hsiao D12/16.1
- D801,224 S * 10/2017 Li D12/16.1
- D803,723 S * 11/2017 Chen D12/16.1
- D806,606 S * 1/2018 Morrison D12/16.1
- D810,653 S * 2/2018 Hu D12/327
- D813,723 S * 3/2018 Ahn D12/16.1
- D813,724 S * 3/2018 Hu D12/16.1
- D814,350 S * 4/2018 Joo D12/16.1
- D814,970 S * 4/2018 Chen D12/16.1
- D814,971 S * 4/2018 Huang D12/16.1
- D814,972 S * 4/2018 Ahn D12/16.1
- D814,973 S * 4/2018 Li D12/16.1

(Continued)

Primary Examiner — Brandon M Rosati
Assistant Examiner — Marissa J Cash
(74) *Attorney, Agent, or Firm* — Wayne & King LLC

(57) **CLAIM**

The ornamental design for unmanned aerial vehicle, as shown and described.

DESCRIPTION

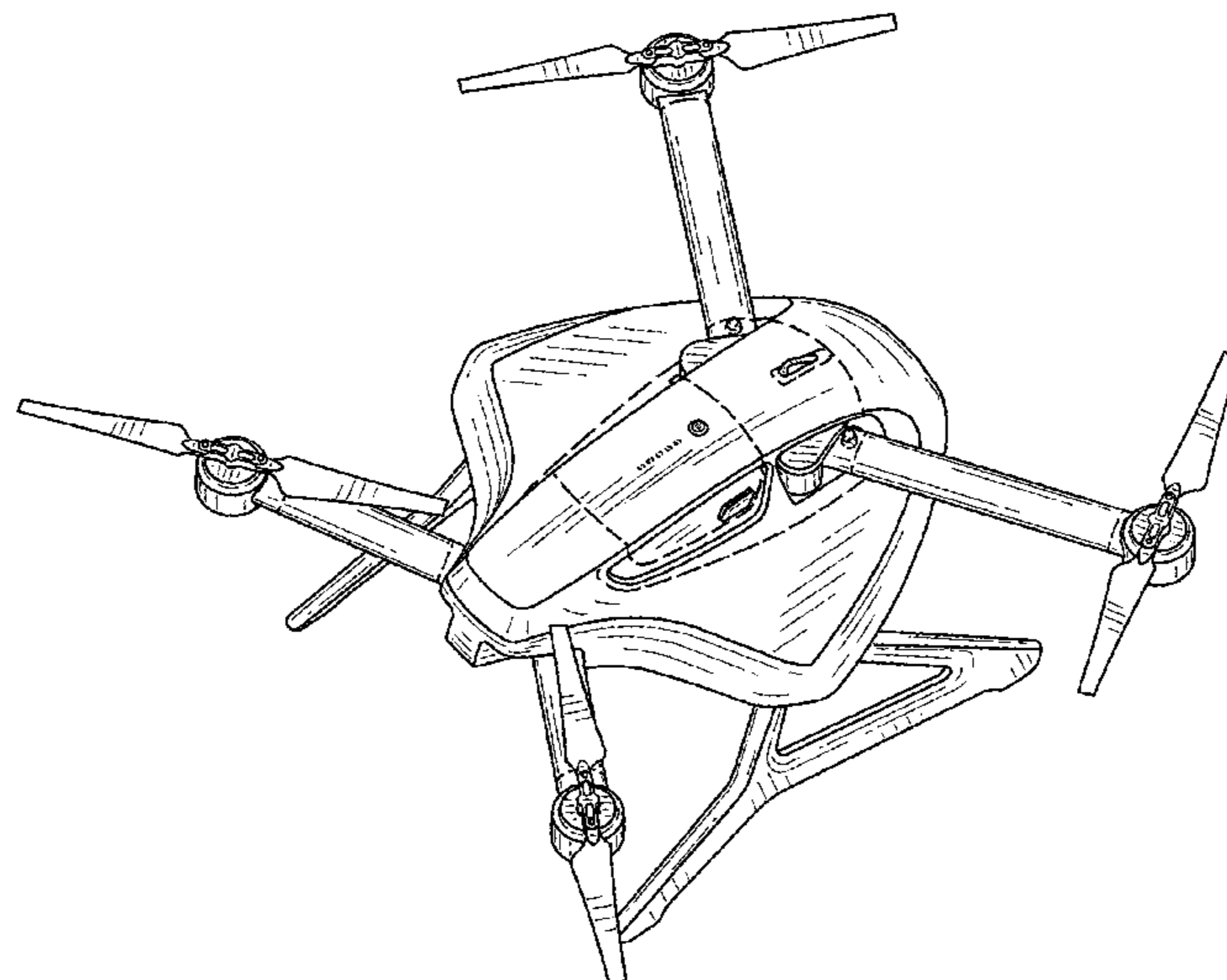
FIG. 1 is a perspective view showing my design; FIG. 2 is a front view showing my design; FIG. 3 is a rear view showing my design; FIG. 4 is a left side view showing my design; FIG. 5 is a right side view showing my design; FIG. 6 is a top plan view showing my design; and, FIG. 7 is a bottom plan view showing my design. In the drawings, the claimed design is defined by the shaded surfaces; broken lines immediately adjacent shaded surfaces represent boundaries of the claim and form no part thereof; all other broken lines depict unclaimed environmental subject matter and form no part of the claim.

1 Claim, 7 Drawing Sheets

(56) **References Cited**

U.S. PATENT DOCUMENTS

- D197,038 S * 12/1963 Howard D12/329
- D628,658 S * 12/2010 Wurm D21/442
- D691,514 S * 10/2013 Wang D12/16.1
- D710,453 S * 8/2014 Barajas D12/16.1
- D710,454 S * 8/2014 Barajas D12/16.1
- D741,779 S * 10/2015 Hsiao D12/16.1
- D760,624 S * 7/2016 Balaresque D12/16.1
- D760,848 S * 7/2016 McKenna D12/16.1
- D763,134 S * 8/2016 Wang D12/16.1
- D768,539 S * 10/2016 Lee D12/16.1
- D768,789 S * 10/2016 Fargeau D12/16.1
- D772,991 S * 11/2016 Caubel D12/16.1
- D777,263 S * 1/2017 Lavagen D12/16.1
- D784,202 S * 4/2017 Park D12/16.1



(56)

References Cited

U.S. PATENT DOCUMENTS

D816,546 S * 5/2018 Wang D12/16.1
D816,547 S * 5/2018 Cui D12/16.1
D816,582 S * 5/2018 Liang D12/328
2017/0129601 A1* 5/2017 Babel B64C 27/08
2017/0197718 A1* 7/2017 Buchmueller B64D 1/22
2017/0267334 A1* 9/2017 Tsai B64C 25/10
2017/0269609 A1* 9/2017 Bradlow G05D 1/102
2017/0283050 A1* 10/2017 Baek B64C 27/08
2017/0301109 A1* 10/2017 Chan G06T 7/75
2017/0340176 A1* 11/2017 Liao A47L 1/02
2018/0009527 A1* 1/2018 Von Novak, III B64C 39/024
2018/0105271 A1* 4/2018 Wypyszynski B64D 1/00

* cited by examiner

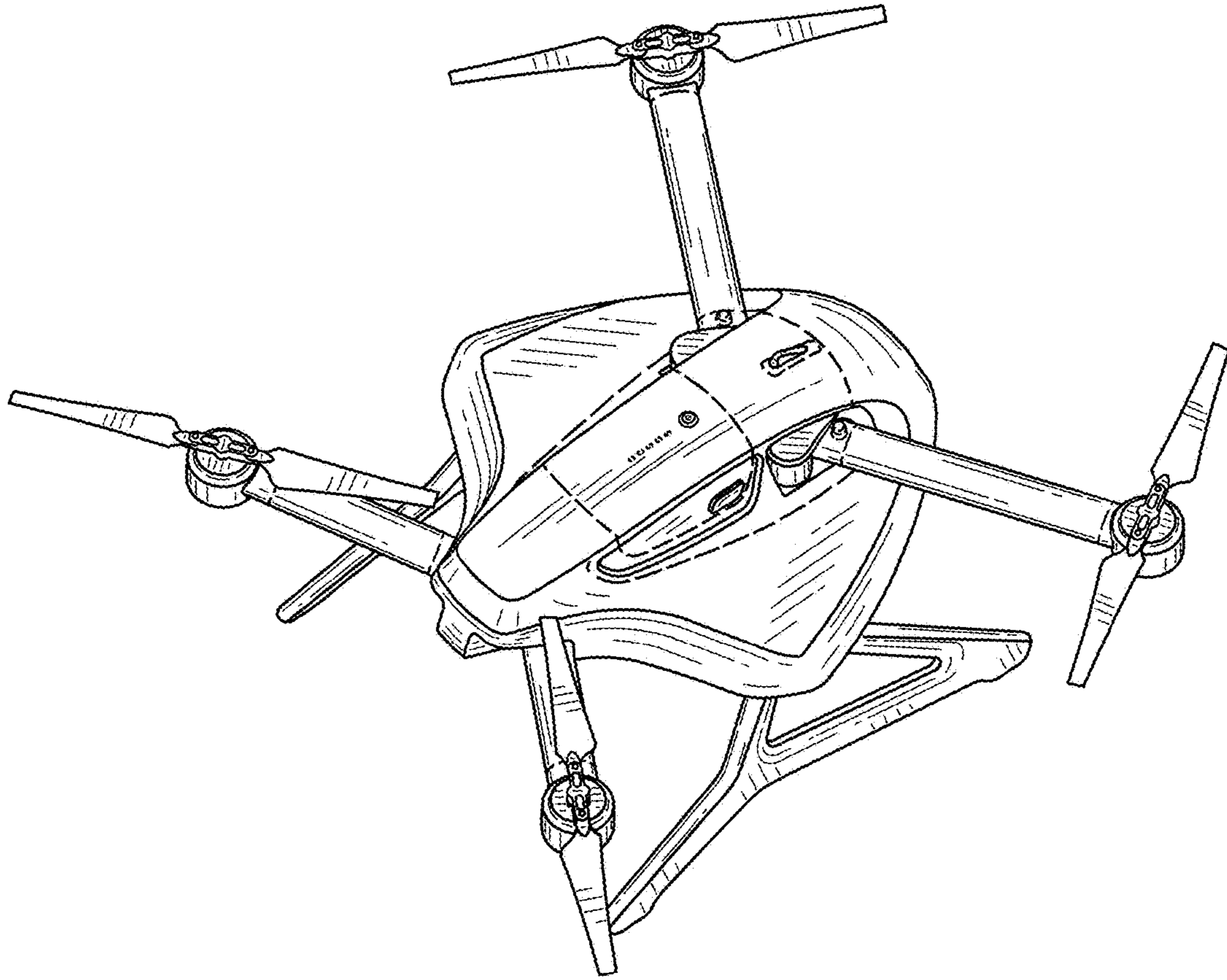


FIG. 1

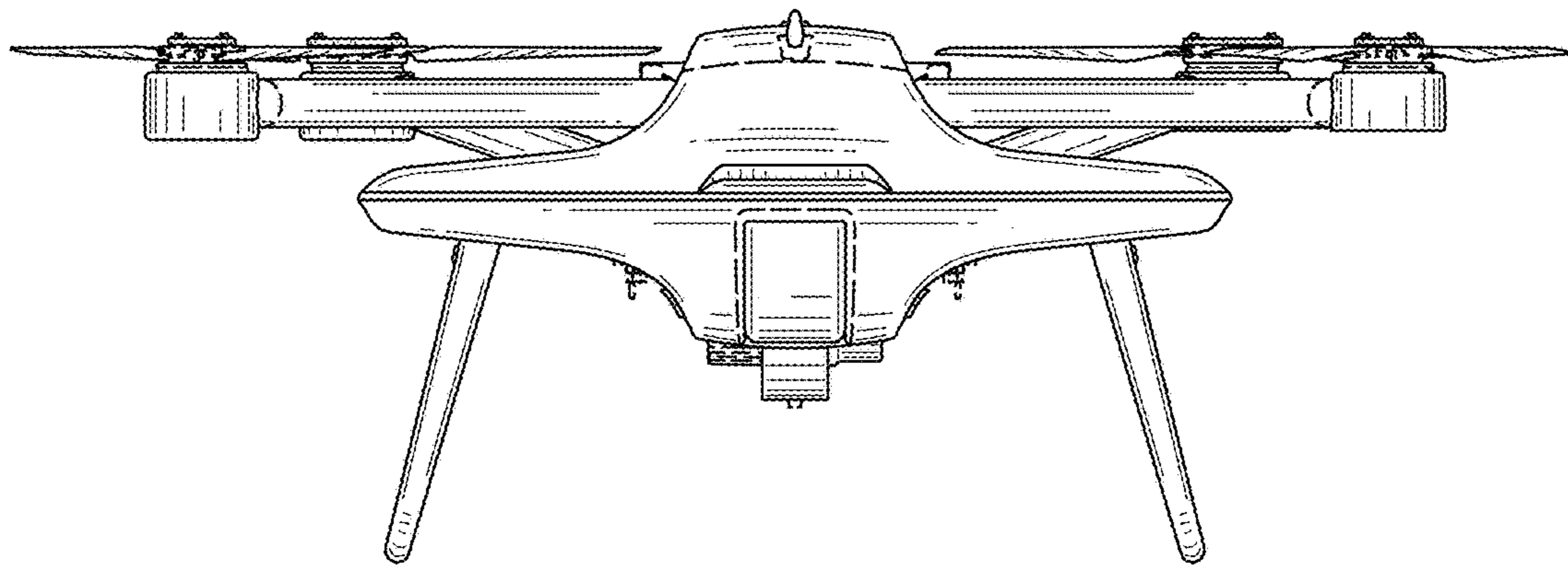


FIG. 2

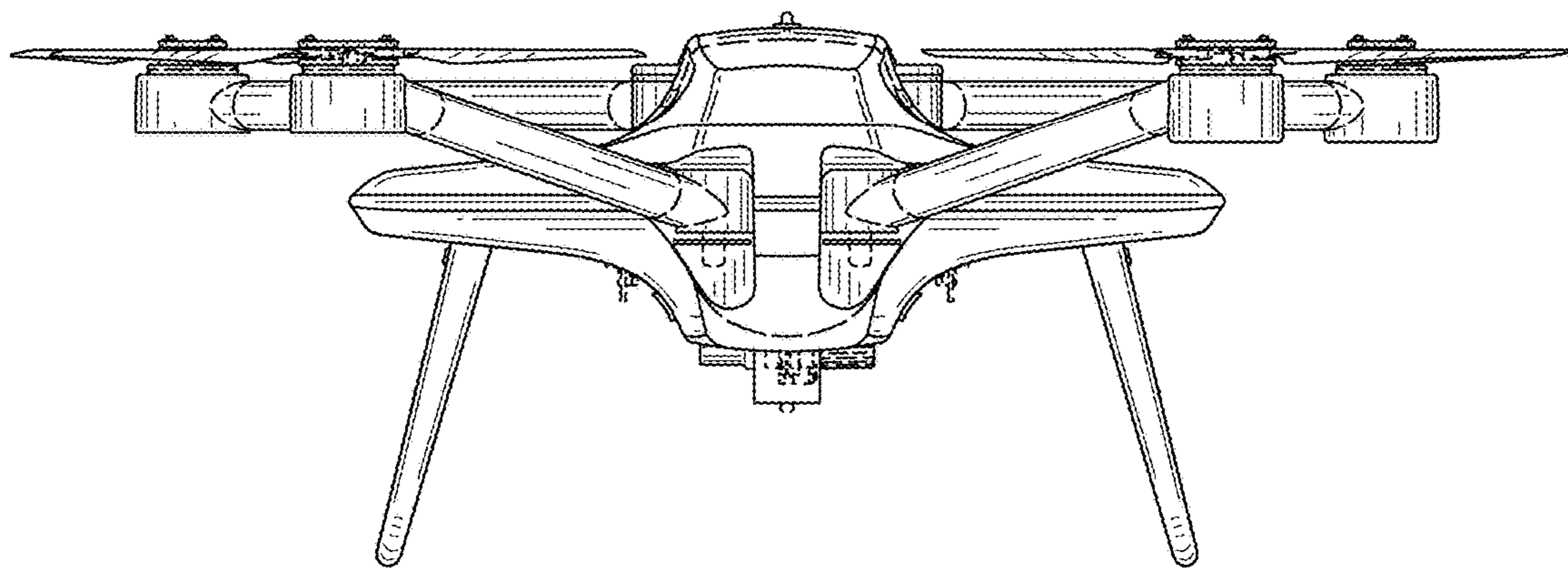


FIG. 3

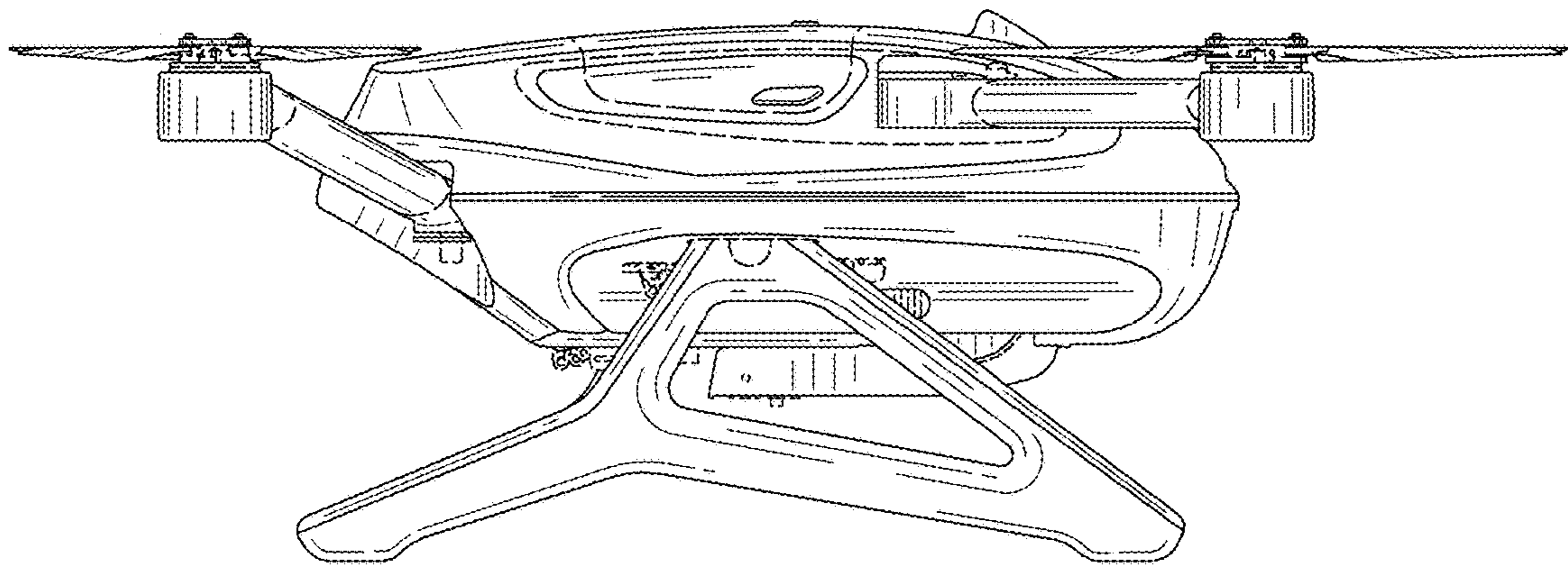


FIG. 4

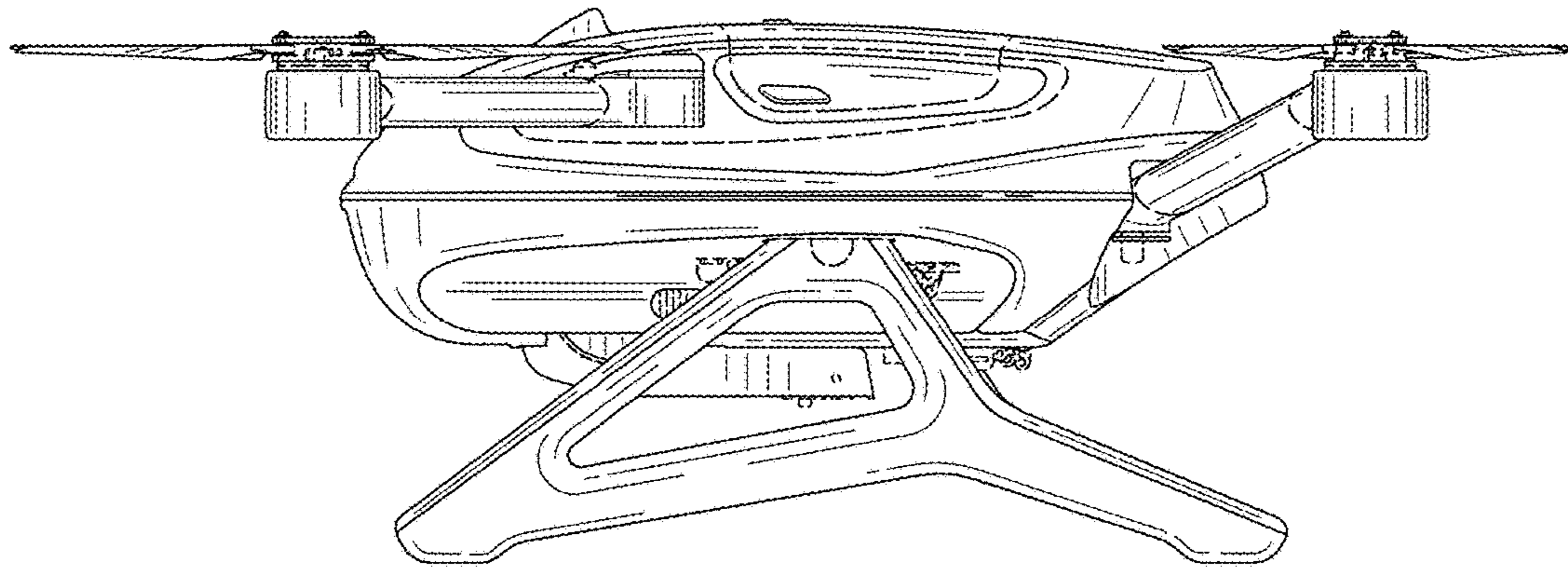


FIG. 5

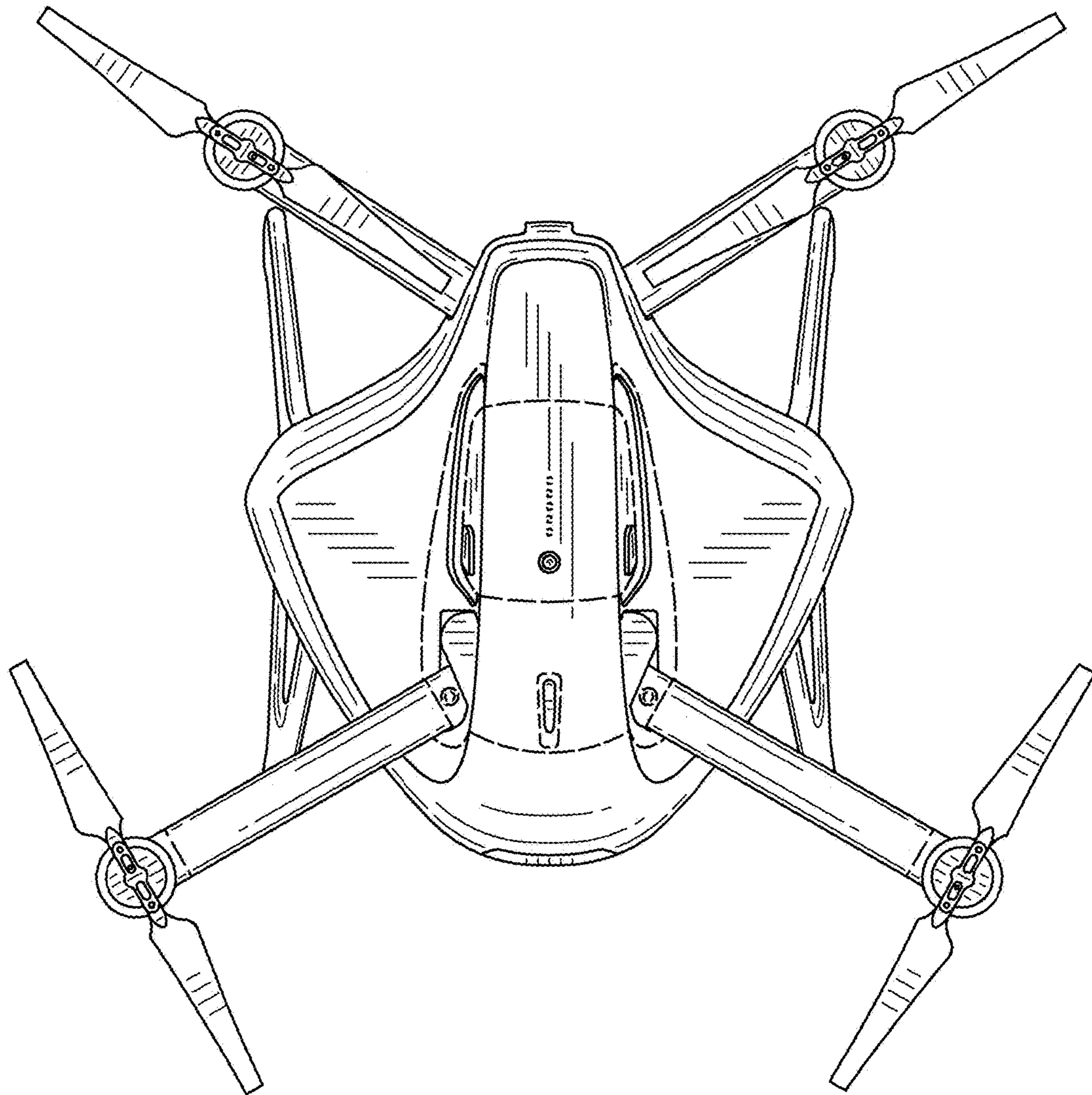


FIG. 6

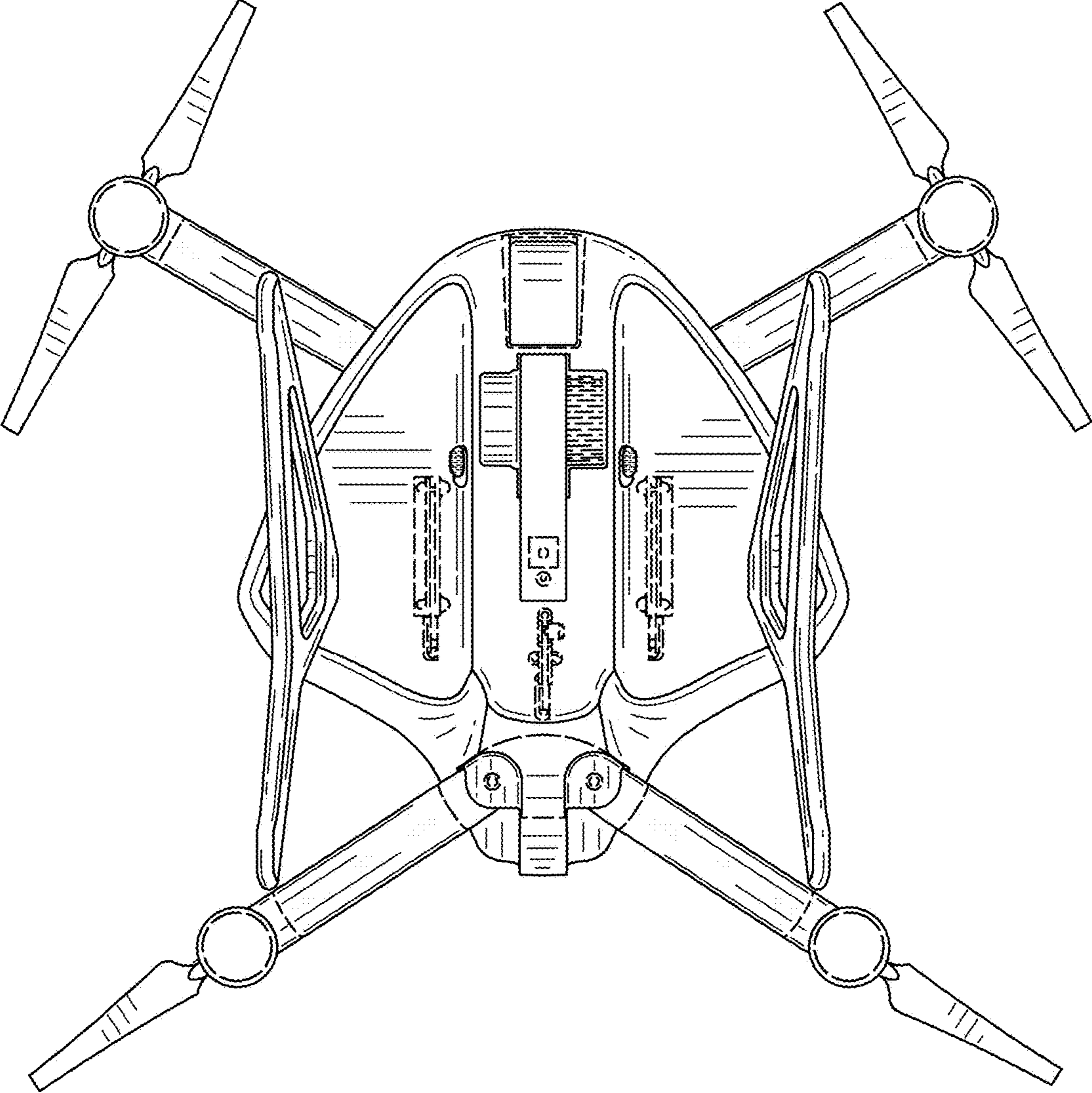


FIG. 7