



US00D831536S

(12) **United States Design Patent**
Hung et al.

(10) **Patent No.:** **US D831,536 S**
(45) **Date of Patent:** **** Oct. 23, 2018**

(54) **SLIDER**

CPC A44B 19/00; A44B 19/02; A44B 19/04;
A44B 19/10; A44B 19/26; A44B 19/30;
A44B 19/06; A44B 19/34; A44B 19/40;
A44B 19/52; A44B 19/38; G02C 3/003;
A44H 37/06; B29C 45/14573

(71) Applicant: **IDEAL FASTENER (GUANG
DONG) INDUSTRIES LTD.,**
Zhaoqing, Guangdong Province (CN)

See application file for complete search history.

(72) Inventors: **Franklin Chi Yen Hung**, Zhaoqing
(CN); **Guoliang Qiu**, Zhaoqing (CN);
Wei Qiu, Zhaoqing (CN); **Zongjian
Lyu**, Zhaoqing (CN); **Fukang Wu**,
Zhaoqing (CN)

(56) **References Cited**

U.S. PATENT DOCUMENTS

D497,835 S * 11/2004 Yoneoka D11/221
D511,997 S * 11/2005 Hamada D11/221
D608,247 S * 1/2010 Keyaki D11/221
D652,346 S * 1/2012 Hamada D11/221
D653,586 S * 2/2012 Hamada D11/221

(73) Assignee: **IDEAL FASTENER (GUANG
DONG) INDUSTRIES LTD.,**
Zhaoqing (CN)

* cited by examiner

(**) Term: **15 Years**

Primary Examiner — Ralf Seifert

(21) Appl. No.: **29/607,708**

(74) *Attorney, Agent, or Firm* — Hauptman Ham, LLP

(22) Filed: **Jun. 15, 2017**

(57) **CLAIM**

A new, original, ornamental design for a slider, as shown.

(30) **Foreign Application Priority Data**

DESCRIPTION

Apr. 1, 2017 (CN) 2017 3 0105530

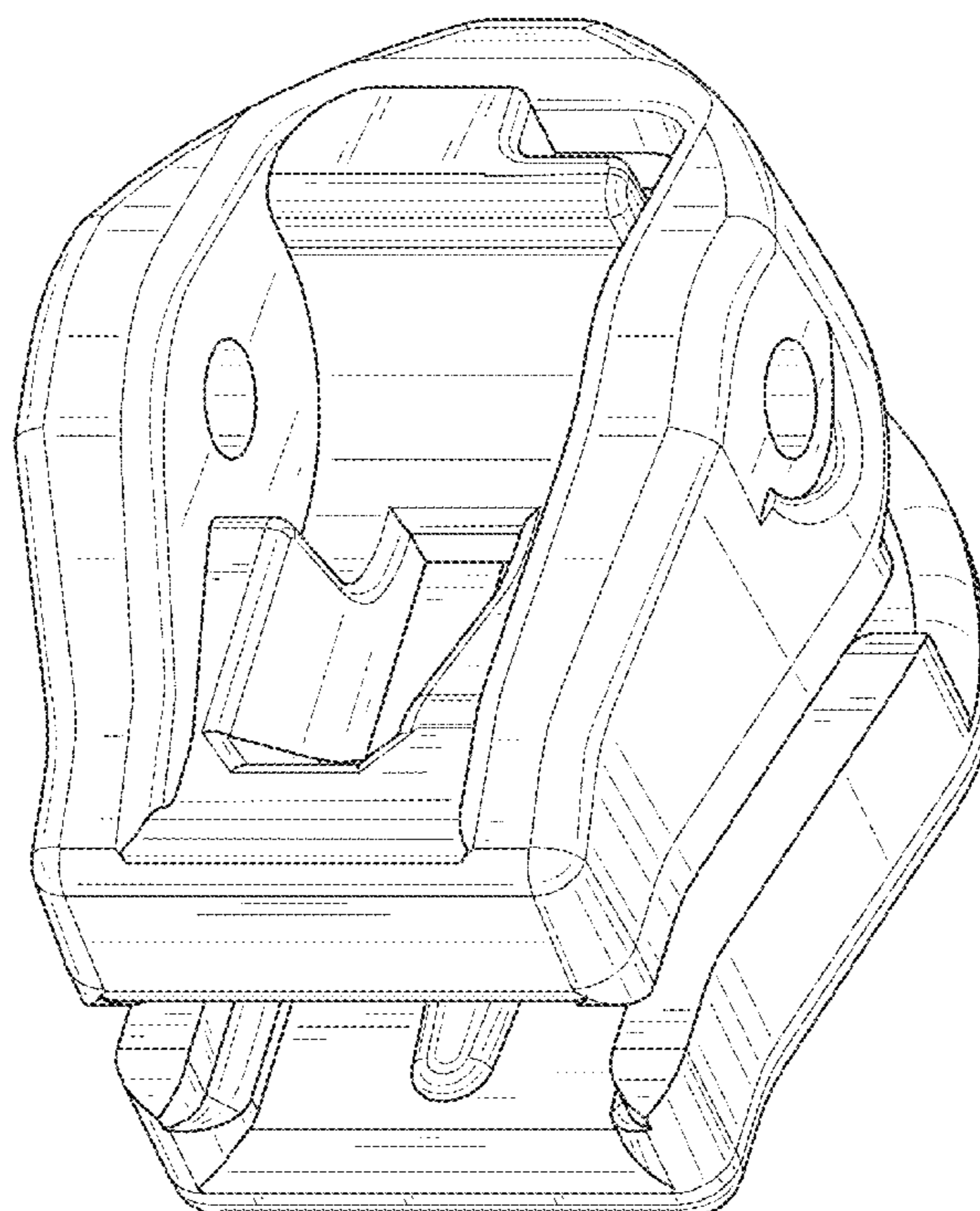
(51) **LOC (11) Cl.** **02-07**

(52) **U.S. Cl.**
USPC **D11/221**

(58) **Field of Classification Search**
USPC D11/200, 201, 221; 24/381–383,
24/385–389, 401, 414–417, 421–422,
24/427–431, 433, 434; 2/265; D2/641,
D2/642; 294/3.6; 223/118; D8/33, 34,
D8/40

FIG. 1 is a front view of a slider showing our new design;
FIG. 2 is a right side view thereof;
FIG. 3 is a back view thereof;
FIG. 4 is a left side view thereof;
FIG. 5 is a top view thereof;
FIG. 6 is a bottom view thereof;
FIG. 7 is a front-right-bottom perspective view thereof; and,
FIG. 8 is a front-right-top perspective view thereof.

1 Claim, 8 Drawing Sheets



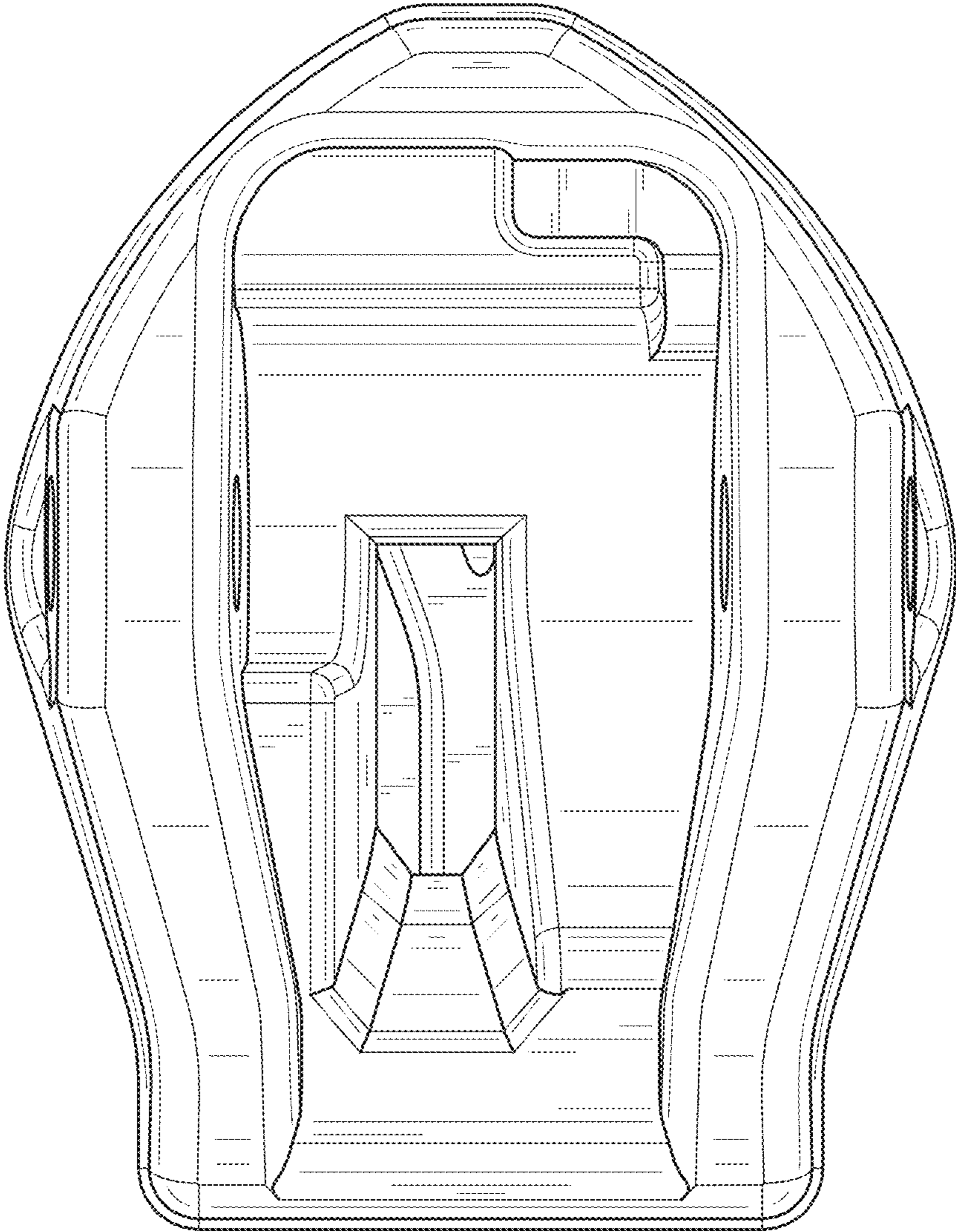


Fig. 1

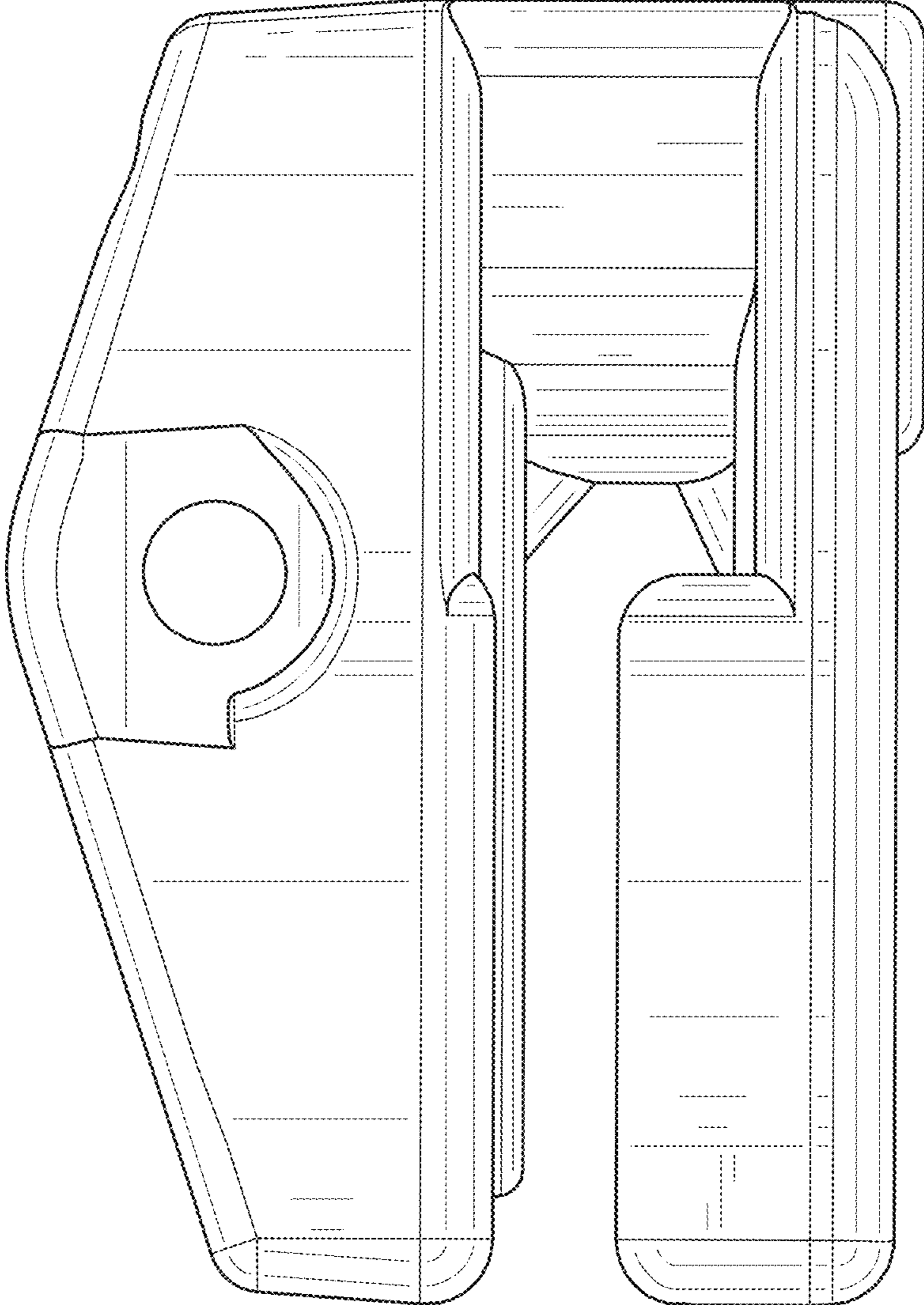


Fig. 2

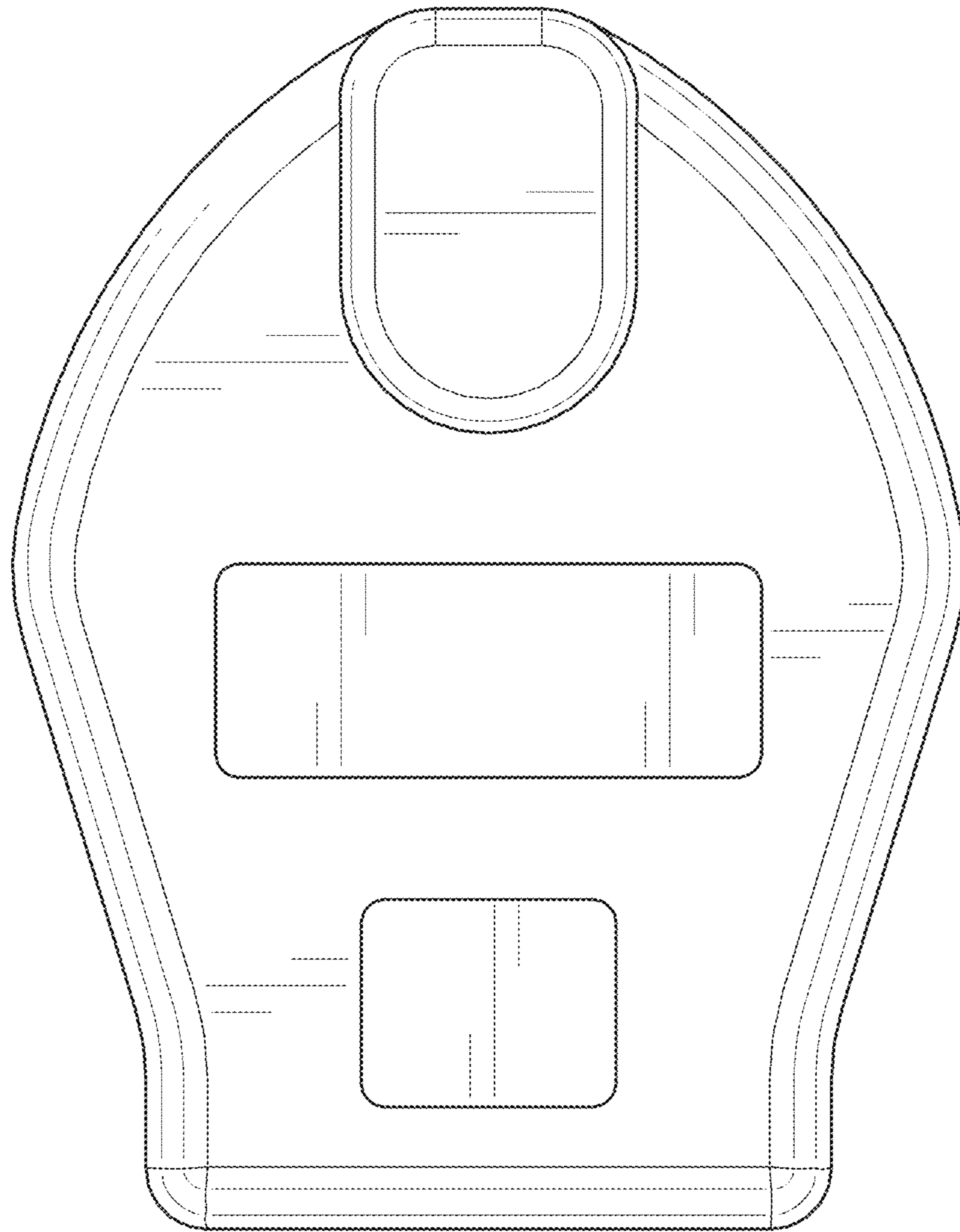


Fig. 3

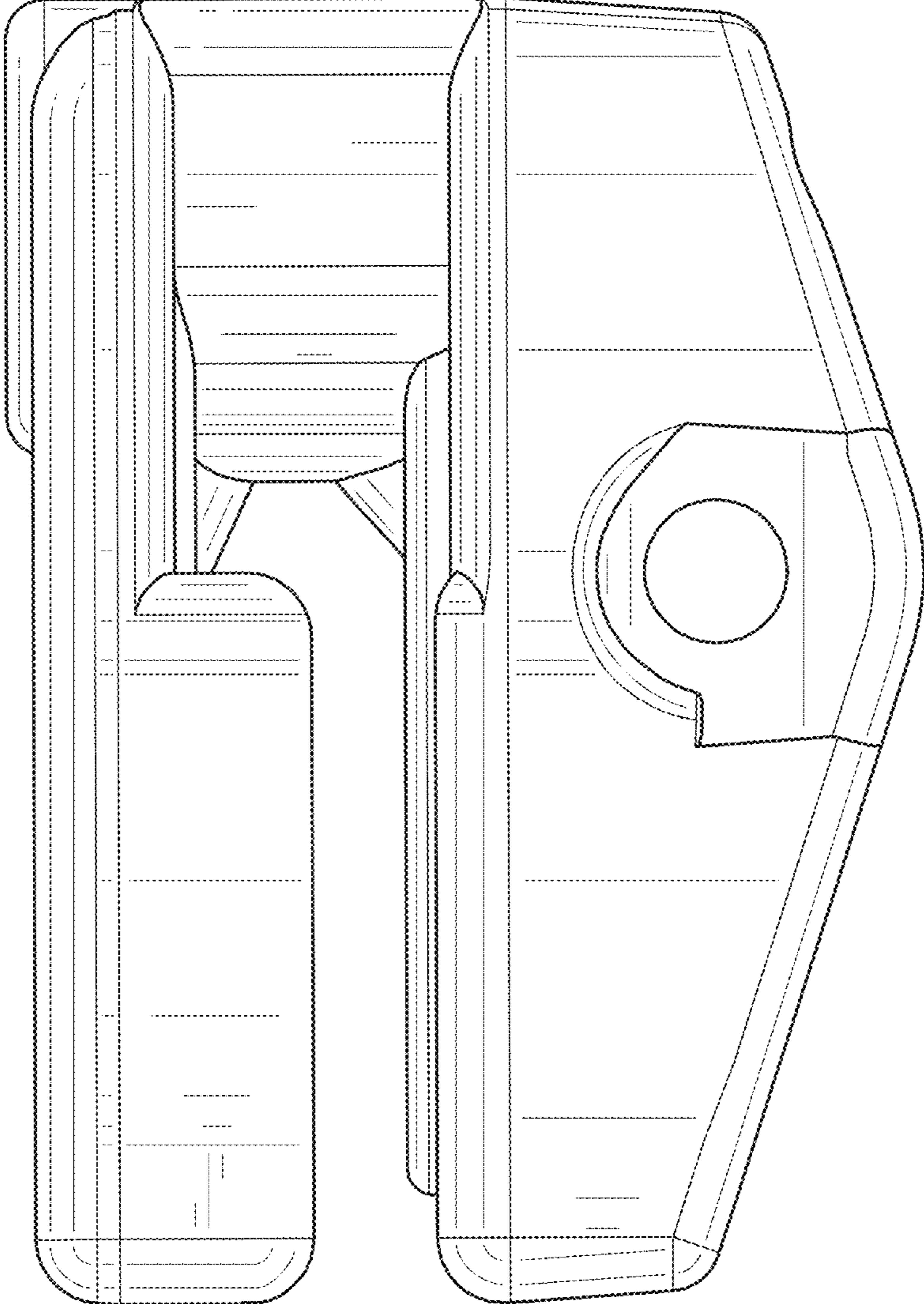


Fig. 4

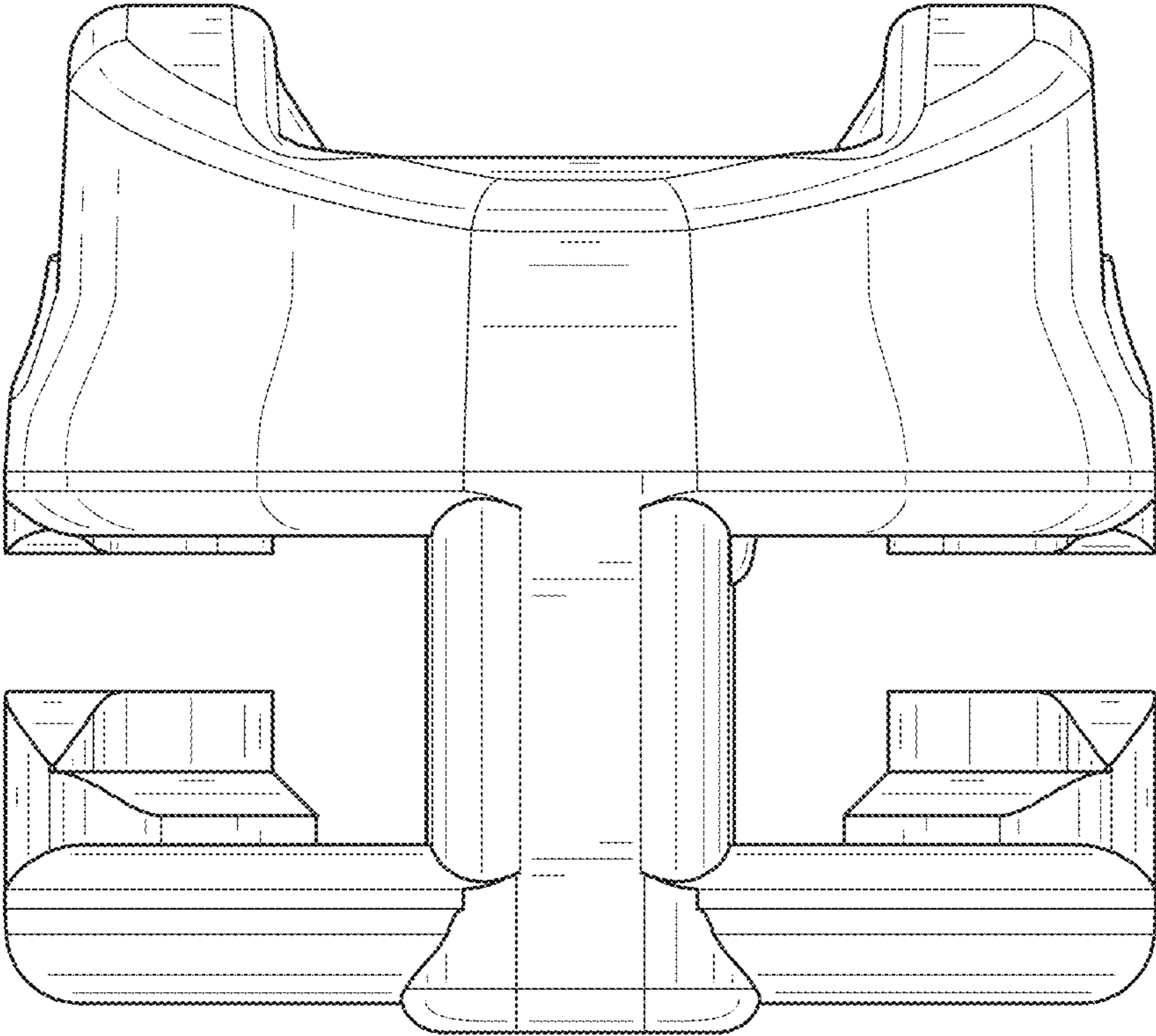


Fig. 5

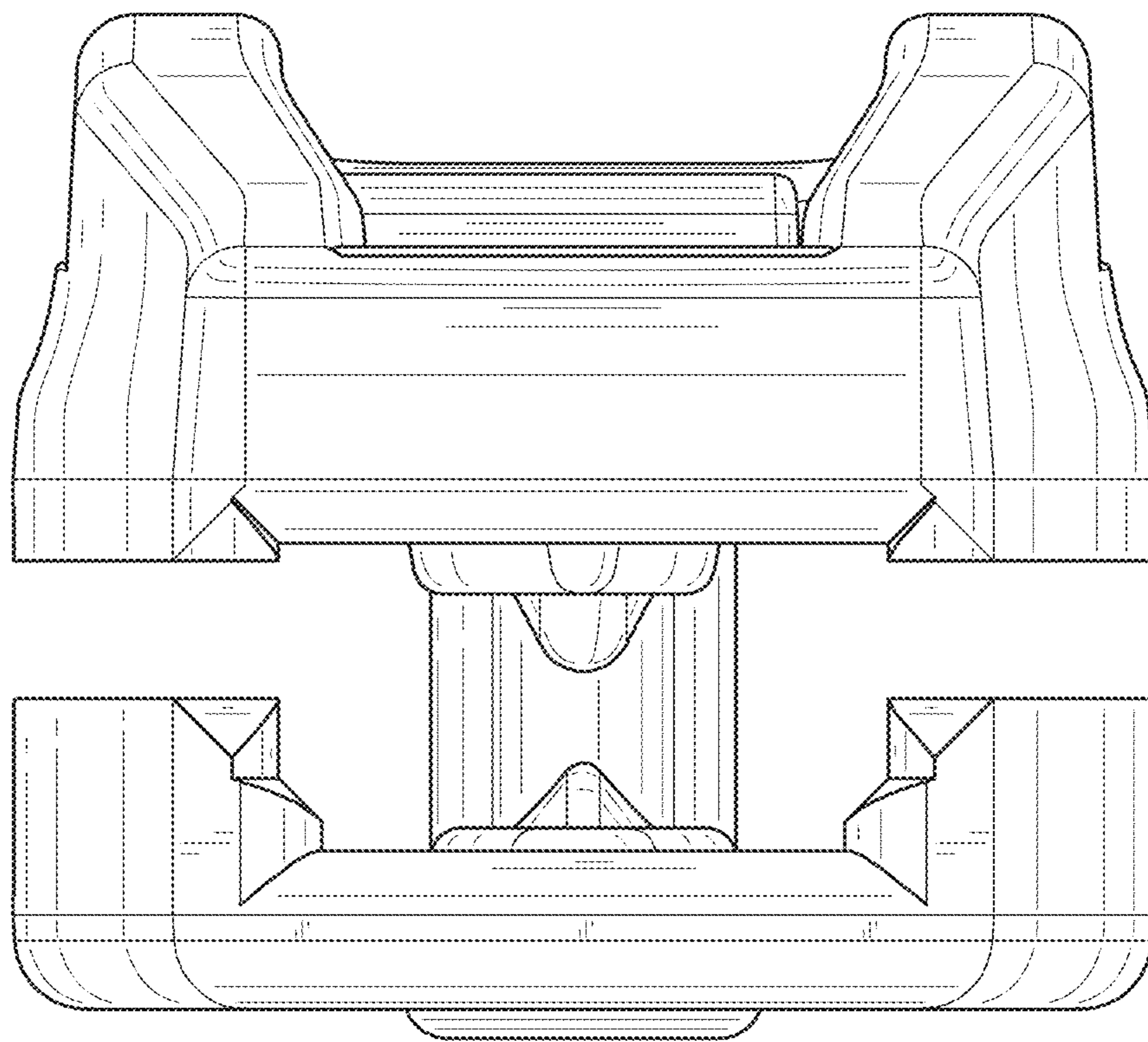


Fig. 6

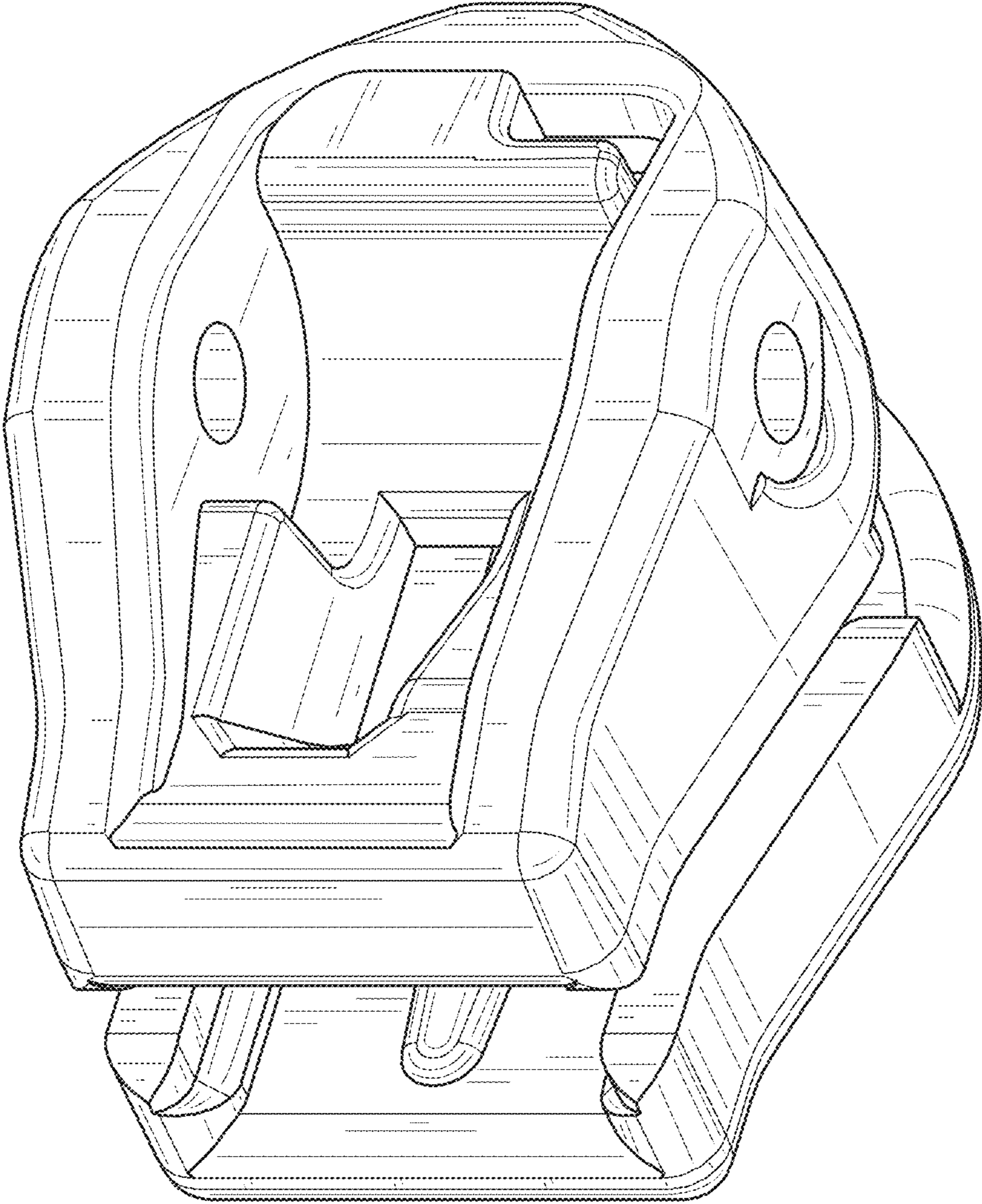


Fig. 7

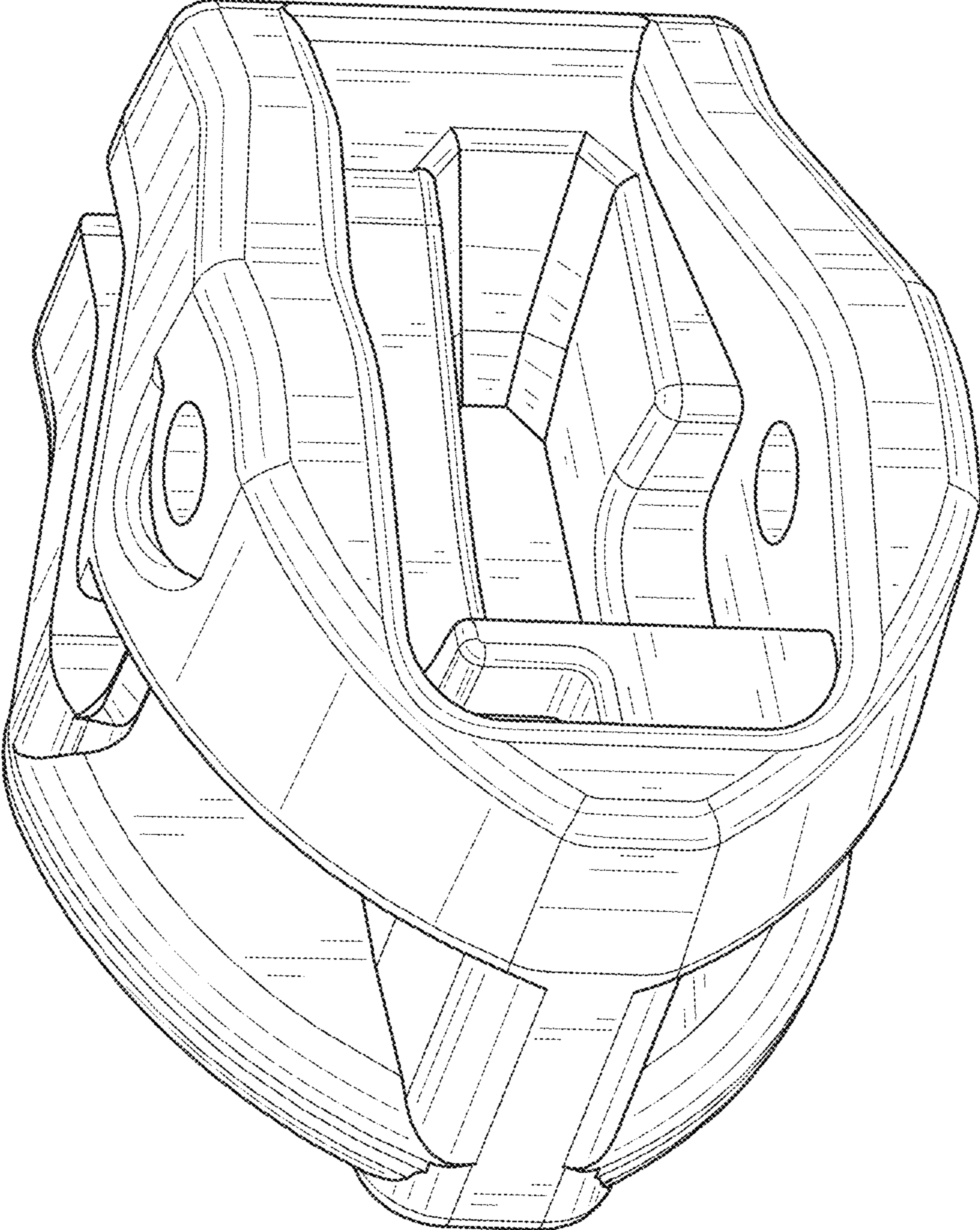


Fig. 8