



US00D831535S

(12) **United States Design Patent**
Habel

(10) **Patent No.:** **US D831,535 S**

(45) **Date of Patent:** **** Oct. 23, 2018**

- (54) **MULTI-POT PLANTER**
- (71) Applicant: **Tom Habel**, Naples, FL (US)
- (72) Inventor: **Tom Habel**, Naples, FL (US)
- (**) Term: **15 Years**
- (21) Appl. No.: **29/641,838**
- (22) Filed: **Mar. 26, 2018**
- (51) **LOC (11) Cl.** **11-02**
- (52) **U.S. Cl.**
USPC **D11/153**
- (58) **Field of Classification Search**
USPC D6/403–405, 556–558, 675;
D11/143–156, 164; D9/428, 500, 519,
D9/549; D3/306; D7/522, 524, 537
CPC A01G 9/02; A01G 9/021; A01G 9/028;
A01G 9/029; A01G 9/04; A01G 9/042;
A01G 9/045; A47G 7/00; A47G 7/006;
A47G 7/02; A47G 7/025; A47G 7/04;
A47G 7/044; A47G 7/06
See application file for complete search history.

D340,071 S *	10/1993	Sun	D19/65
D356,829 S *	3/1995	Russomano	D19/77
5,444,940 A *	8/1995	White-Wexler	A01G 9/00 47/65.5
5,454,189 A *	10/1995	Graham	A01G 5/04 47/41.01
D365,300 S *	12/1995	Bransky	D11/143
D377,951 S *	2/1997	McDiarmid	D19/69
D421,462 S *	3/2000	Orchanian	D19/77
D525,166 S *	7/2006	Cordeiro	D11/143
D551,002 S *	9/2007	Snell	D6/525
D601,836 S *	10/2009	Carr	D6/525
D706,345 S *	6/2014	Hu	D19/75
D761,154 S *	7/2016	Agar	D11/143
D761,155 S *	7/2016	Agar	D11/143

* cited by examiner

Primary Examiner — Elizabeth A. Albert
(74) *Attorney, Agent, or Firm* — Gardner Groff
Greenwald & Villanueva, PC

(57) **CLAIM**

The ornamental design for a multi-pot planter, as shown and described.

DESCRIPTION

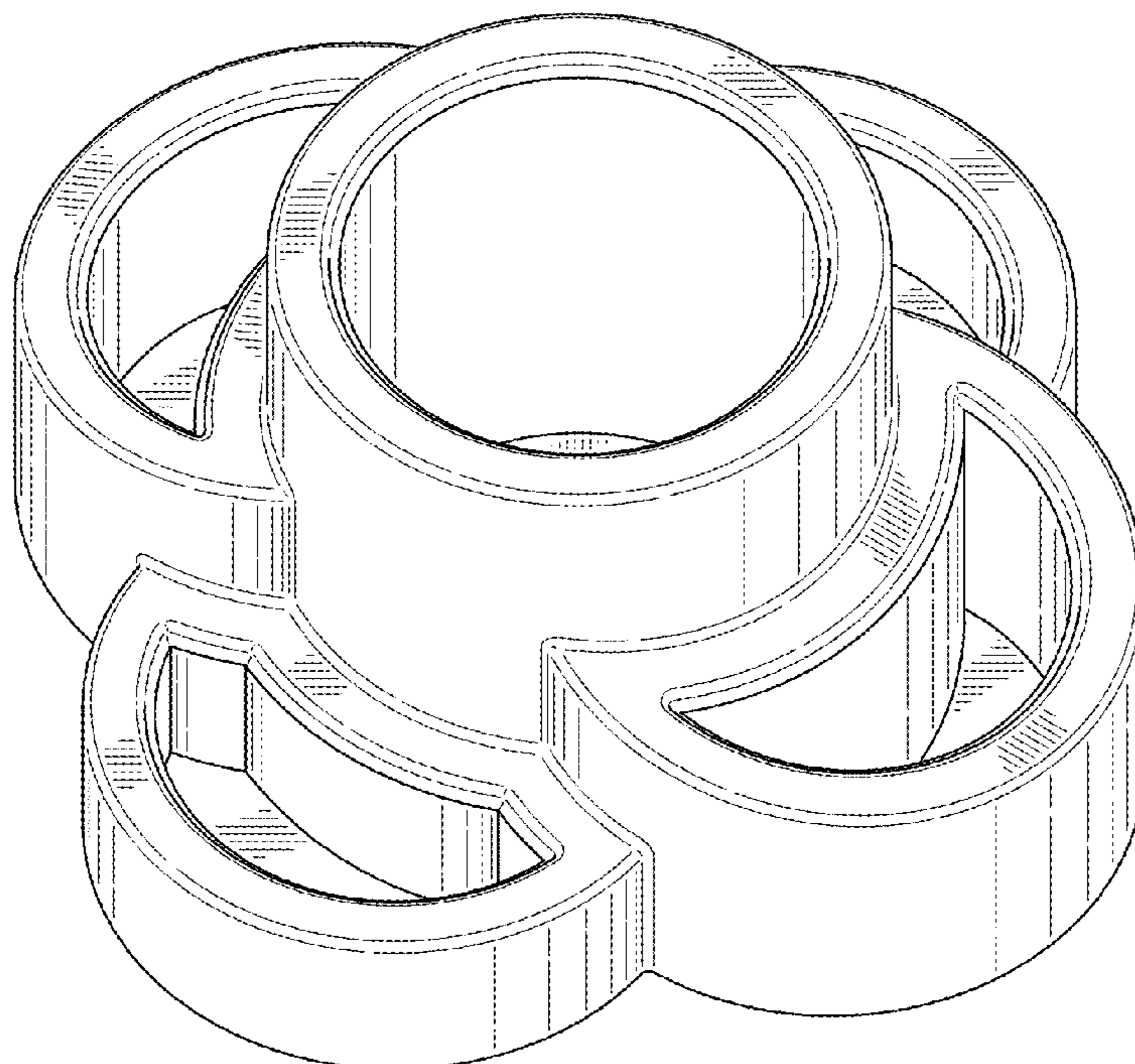
FIG. 1 is a perspective view of a multi-pot planter according to the present invention.
FIG. 2 is a left-front side view of the multi-pot planter of FIG. 1, the right-rear side view being a mirror image thereof.
FIG. 3 is a right-front side view of the multi-pot planter of FIG. 1, the left-rear side view being a mirror image thereof.
FIG. 4 is a top view of the multi-pot planter of FIG. 1; and,
FIG. 5 is a bottom view of the multi-pot planter of FIG. 1.

1 Claim, 3 Drawing Sheets

(56) **References Cited**

U.S. PATENT DOCUMENTS

D154,671 S *	8/1949	Foley	D7/566
2,799,972 A *	7/1957	Teixeira	A01G 9/027 220/23.4
D245,368 S *	8/1977	Mueller	D11/143
D268,337 S *	3/1983	Tenzer	D11/143
D272,882 S *	3/1984	Gardner	D7/603
D302,295 S *	7/1989	Hanifl	D11/143



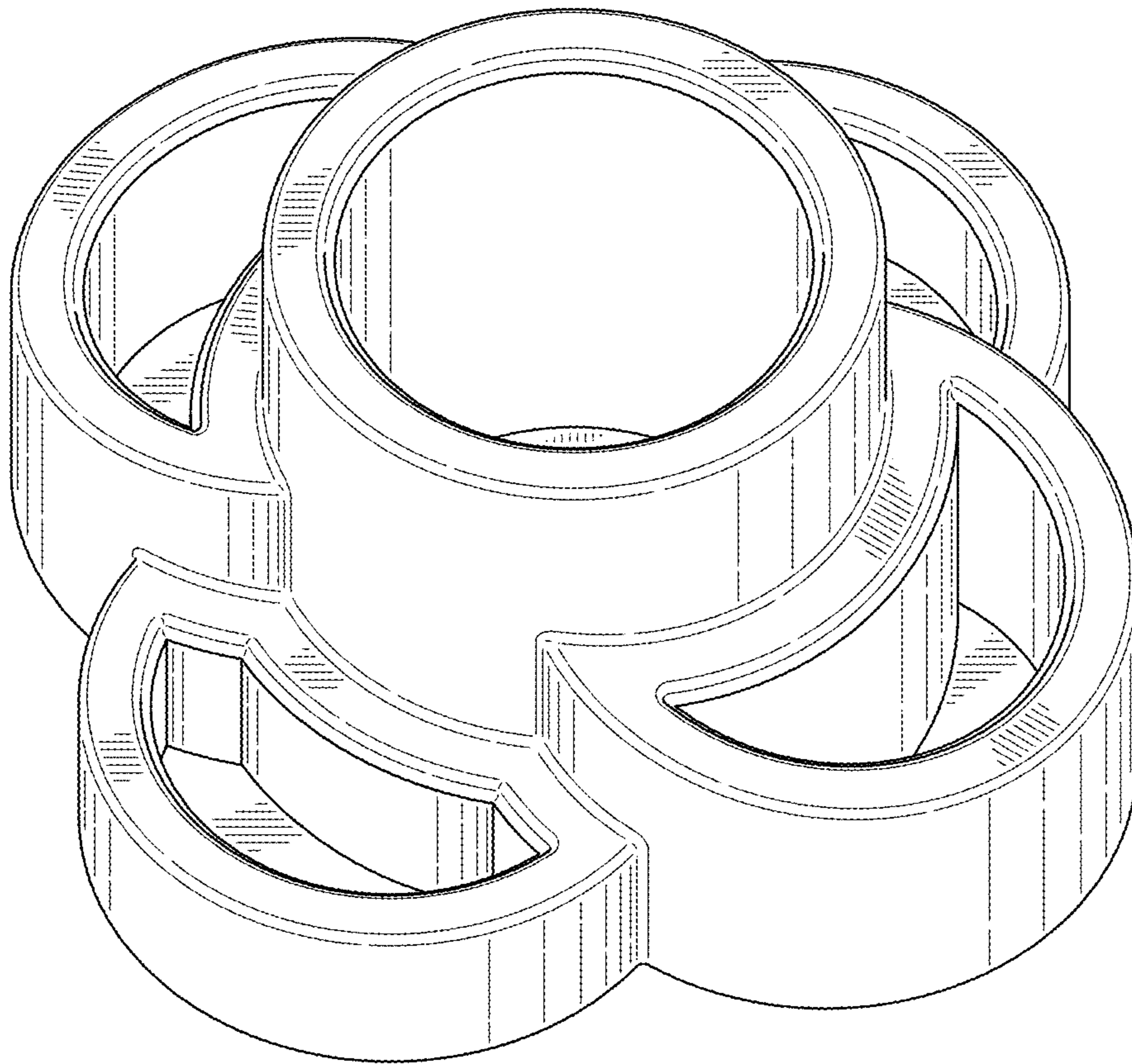


FIG. 1

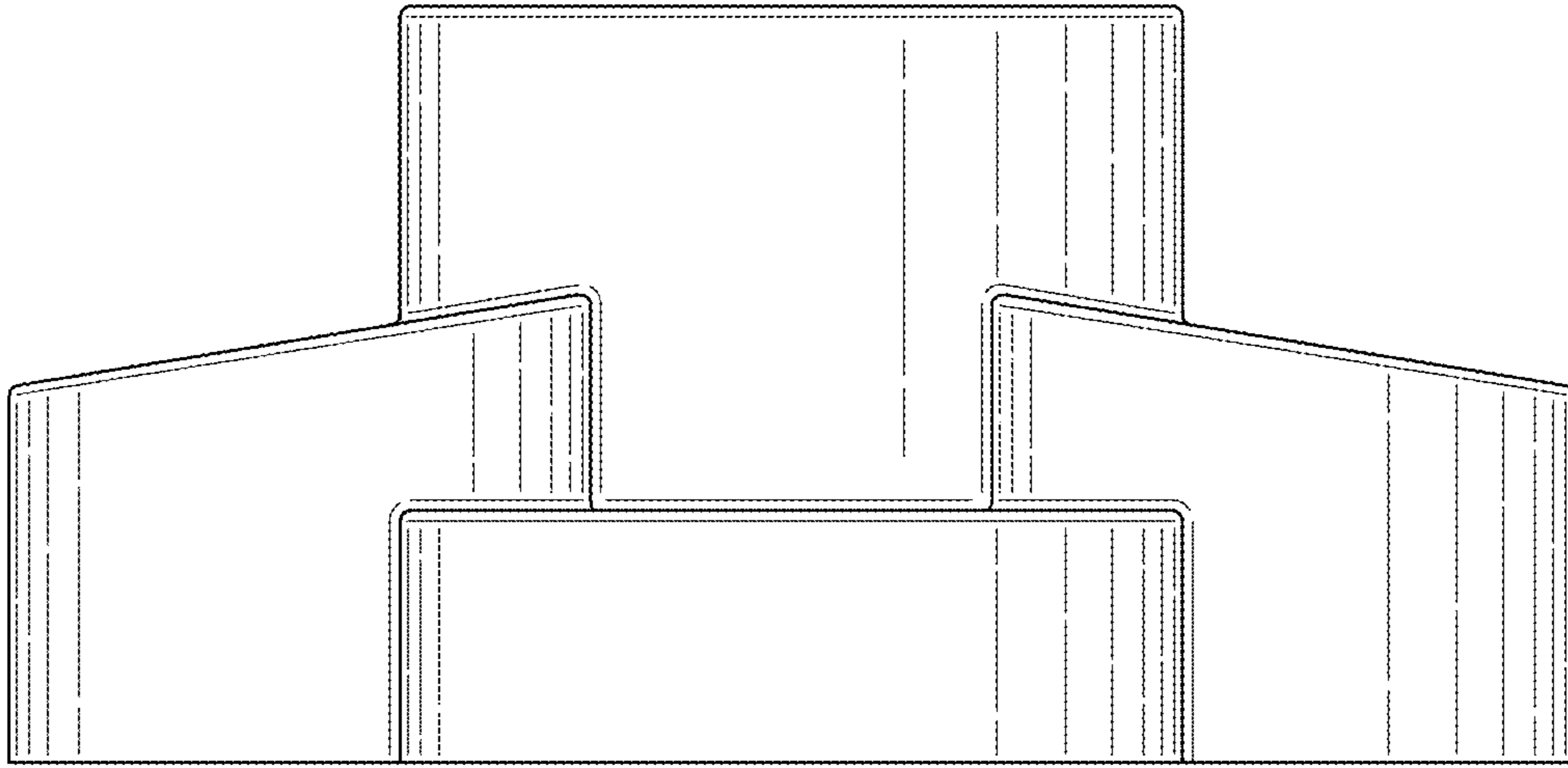


FIG. 2

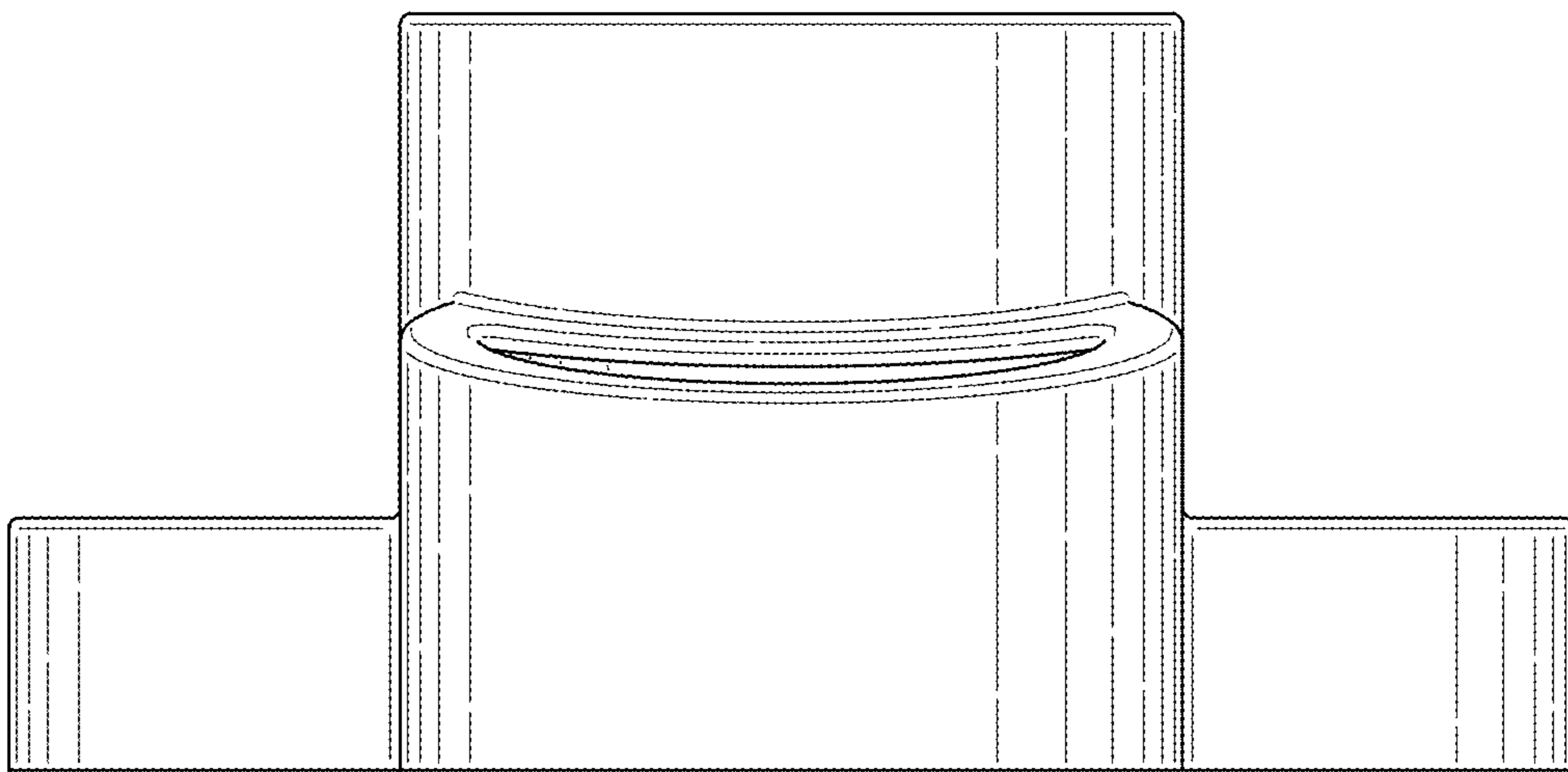


FIG. 3

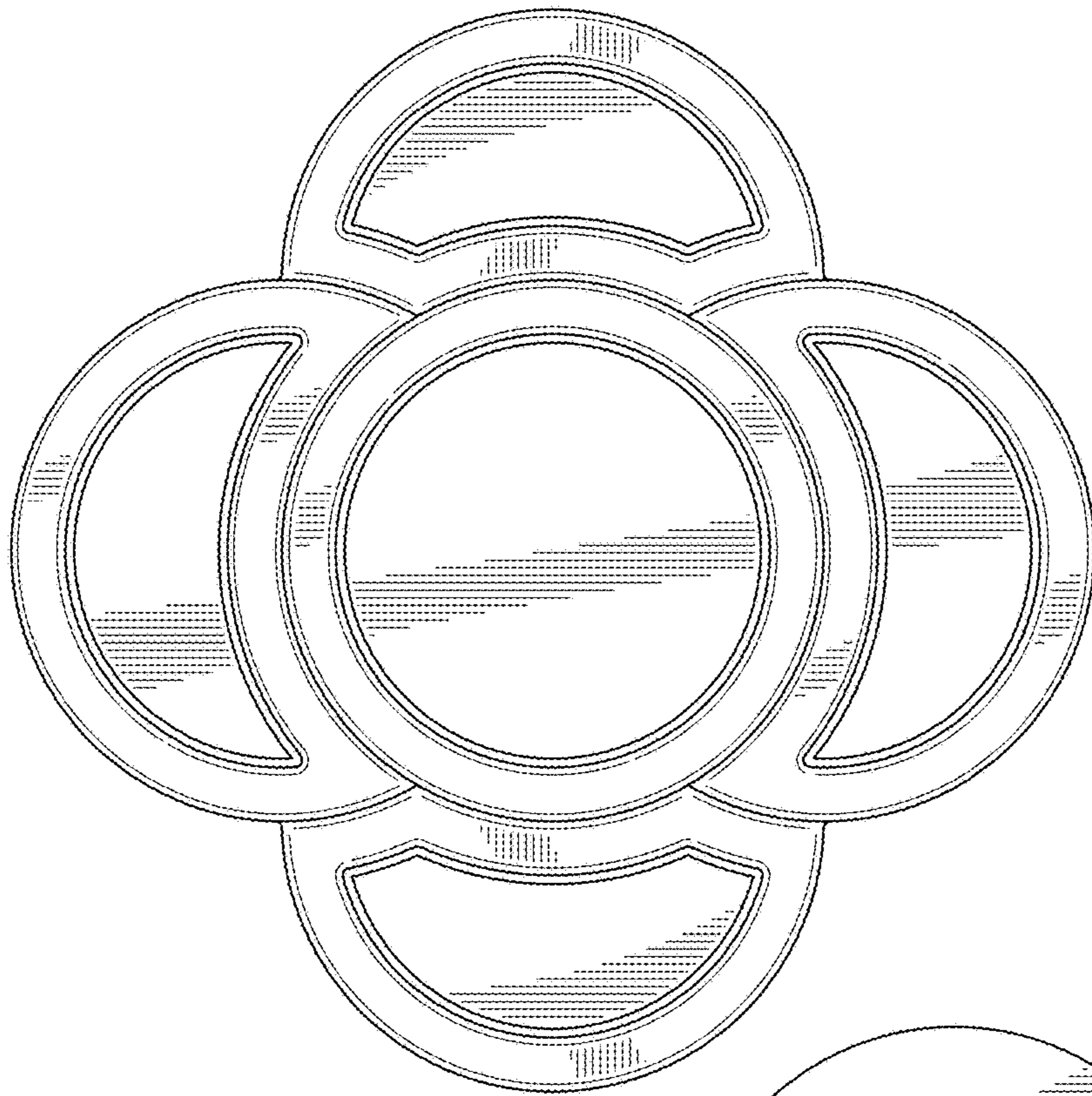


FIG. 4

FIG. 5

