



US00D831533S

(12) **United States Design Patent** (10) **Patent No.:** **US D831,533 S**  
**Silvera** (45) **Date of Patent:** **\*\* Oct. 23, 2018**

(54) **REUSABLE BAG FOR FRESH FLOWERS**  
(71) Applicant: **Roberto Silvera**, Centreville, VA (US)  
(72) Inventor: **Roberto Silvera**, Centreville, VA (US)  
(\*\*) Term: **15 Years**  
(21) Appl. No.: **29/561,521**

(22) Filed: **Apr. 17, 2016**  
(51) **LOC (11) Cl.** ..... **11-02**  
(52) **U.S. Cl.**  
USPC ..... **D11/148**  
(58) **Field of Classification Search**  
USPC ..... D11/143–156, 164; D6/403–405,  
D6/556–558; D8/1; 47/17, 32.4, 32.5,  
47/39, 41.01, 41.1, 41.11–41.15, 44–47,  
47/65, 66.6, 66.7, 67–71; 248/315, 312,  
248/318; 211/85.23, 85.29  
CPC . A01G 5/00; A01G 5/04; A01G 9/025; A47G  
7/00; A47G 7/047; A47G 7/045; A47G  
7/085; A47G 7/08; B65B 25/023  
See application file for complete search history.

(56) **References Cited**  
**U.S. PATENT DOCUMENTS**  
5,572,851 A \* 11/1996 Weder ..... A01G 5/04  
53/390  
6,129,208 A \* 10/2000 Ferguson ..... A01G 9/026  
206/423  
6,183,590 B1 \* 2/2001 Weder ..... A47G 7/085  
156/251  
6,195,937 B1 \* 3/2001 Weder ..... A47G 7/085  
47/72

(Continued)

**OTHER PUBLICATIONS**

<http://mobileflowerbag.com/?product=mobile-flower> Mobile Flower—  
Reusable Bag for Fresh Flowers (Basic Model) Jun. 7, 2018.\*

*Primary Examiner* — Susan Bennett Hattan  
*Assistant Examiner* — Rebecca Tsehaye

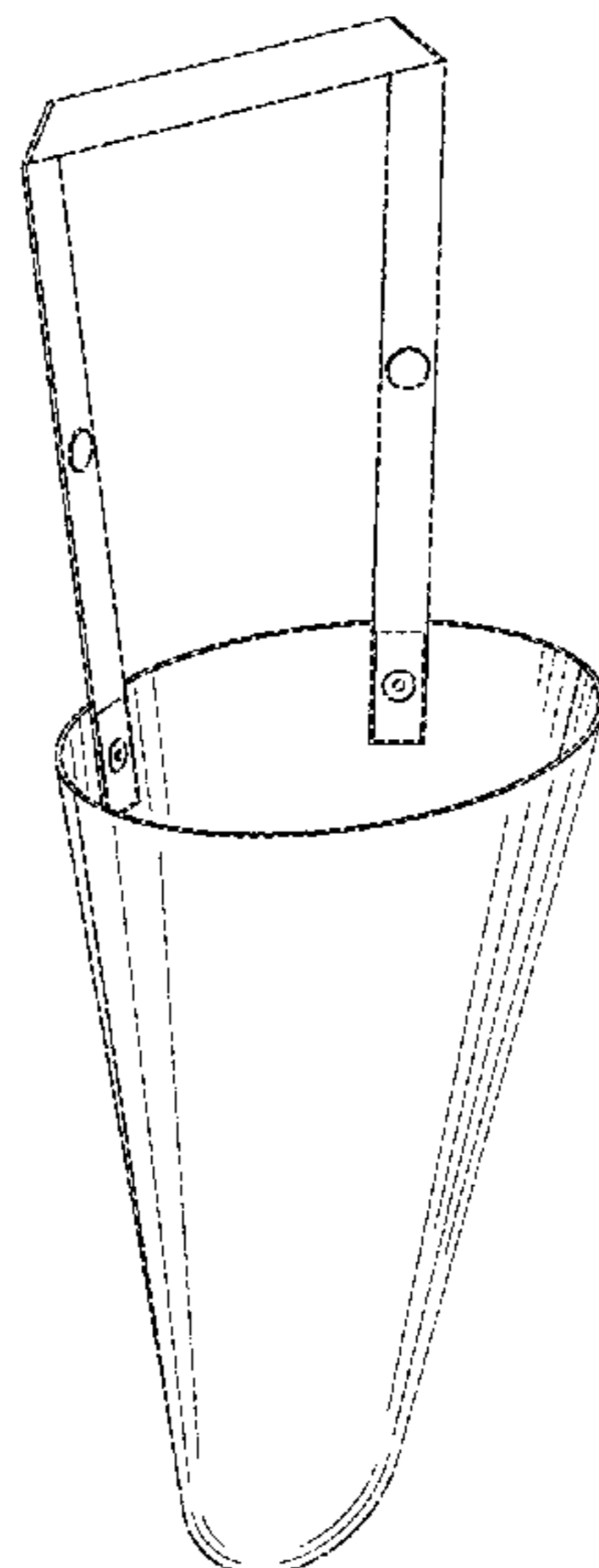
(57) **CLAIM**

The ornamental design for reusable bag for fresh flowers, as shown and described.

**DESCRIPTION**

Cross References to Related Applications:  
2,633,278 Mar. 1953 Muniz 224/411  
2735597 Feb. 1956 Treleven 224/312  
3,088,771 May 1963 Weigle 296/37.5  
D357,209 Apr. 1995 Dukas, et al. D11/143  
D298307 Nov. 1988 Balter et al. D12/133  
D500,703 Jan. 2005 Giampavolo D11/146  
D516,947 Mar. 2006 Giampavolo D11/146  
D685,290 Jul. 2, 2013 Silvera D11/148  
FIG. 1 is a top and front perspective view of the reusable bag for fresh flowers, showing my new design;  
FIG. 2 is a top and rear perspective view thereof;  
FIG. 3 is a front view thereof;  
FIG. 4 is a rear view thereof;  
FIG. 5 is a left side view thereof;  
FIG. 6 is a right side view thereof;  
FIG. 7 is a top view thereof;  
FIG. 8 is a bottom view thereof;  
FIG. 9 is a top and front perspective view of a second embodiment of reusable bag for fresh flowers;  
FIG. 10 is a top and rear perspective view of a second embodiment thereof;  
FIG. 11 is a front view of a second embodiment thereof;  
FIG. 12 is a rear view of a second embodiment thereof;  
FIG. 13 is a right side view of a second embodiment thereof;  
FIG. 14 is a left side view of a second embodiment thereof;  
FIG. 15 is a top view of a second embodiment thereof; and,  
FIG. 16 is a bottom view of a second embodiment thereof.

**1 Claim, 16 Drawing Sheets**



(56)

**References Cited**

U.S. PATENT DOCUMENTS

6,786,003 B2 \* 9/2004 Gilbert ..... B65D 85/505  
47/41.01  
6,944,988 B2 \* 9/2005 Gilbert ..... A01G 5/04  
47/41.01  
D516,947 S \* 3/2006 Giampavolo ..... D11/146  
D579,230 S \* 10/2008 Denham ..... D6/405  
D604,081 S \* 11/2009 Nunes ..... A01G 9/025  
D6/556  
8,091,273 B2 \* 1/2012 Weder ..... B65D 85/505  
47/41.01  
D685,290 S \* 7/2013 Silvera ..... D11/148  
D720,555 S \* 1/2015 Nelson ..... D6/558  
D747,237 S \* 1/2016 Nalgabatz ..... D11/148  
9,314,117 B2 \* 4/2016 Keil ..... A47G 7/08  
9,930,841 B2 \* 4/2018 Fankuchen ..... A01G 31/02  
2008/0016763 A1 \* 1/2008 Weder ..... B65B 25/023  
47/41.01

\* cited by examiner

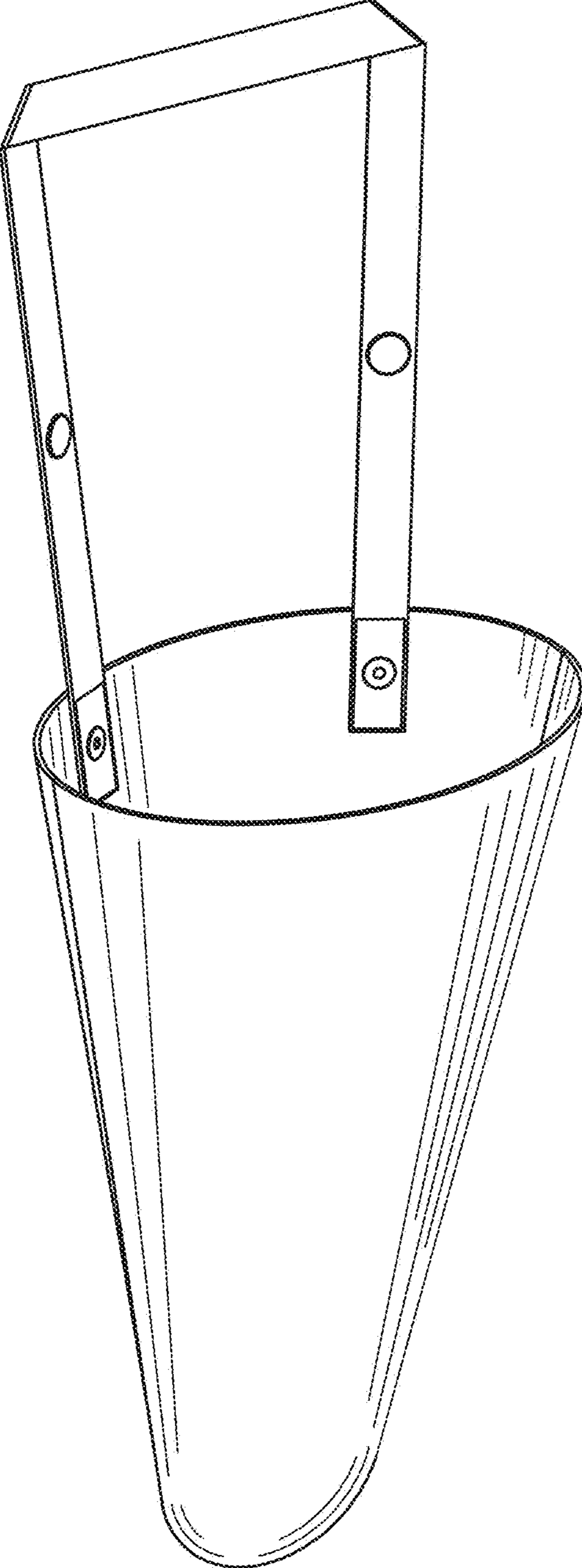


Fig. 1

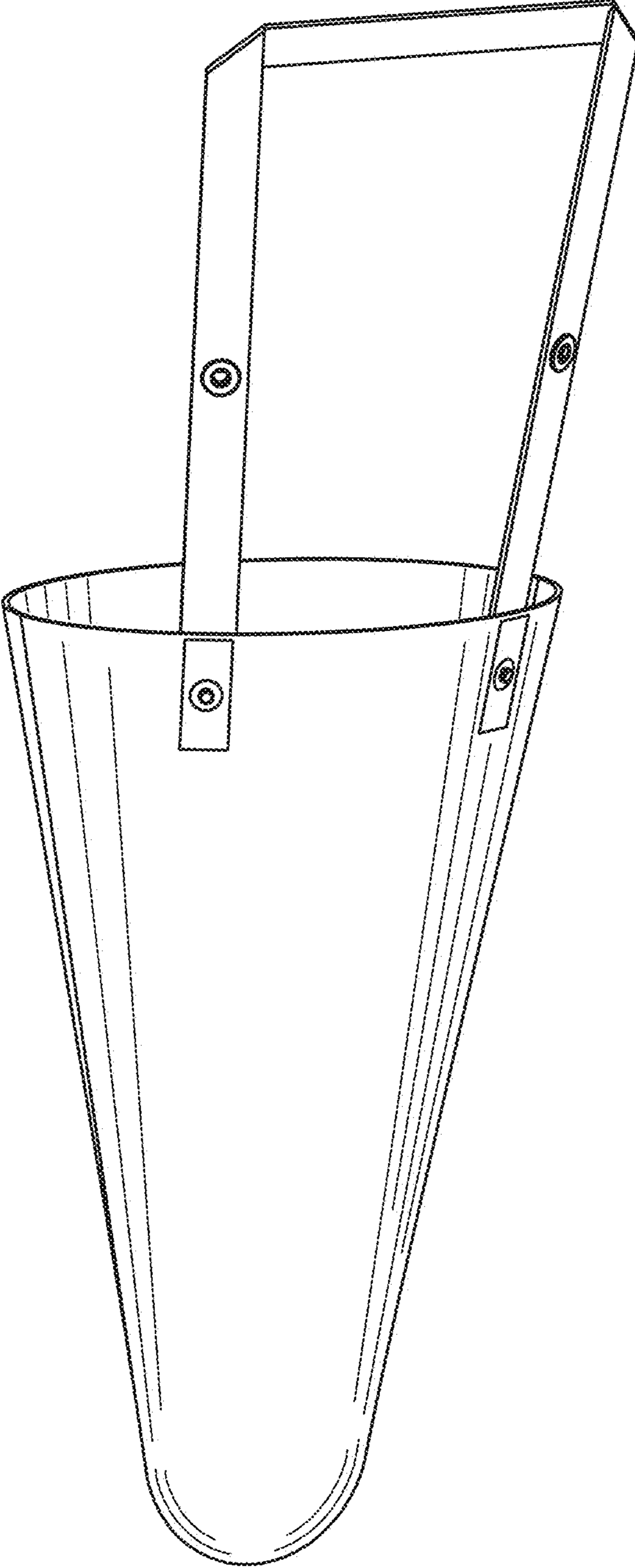


Fig. 2

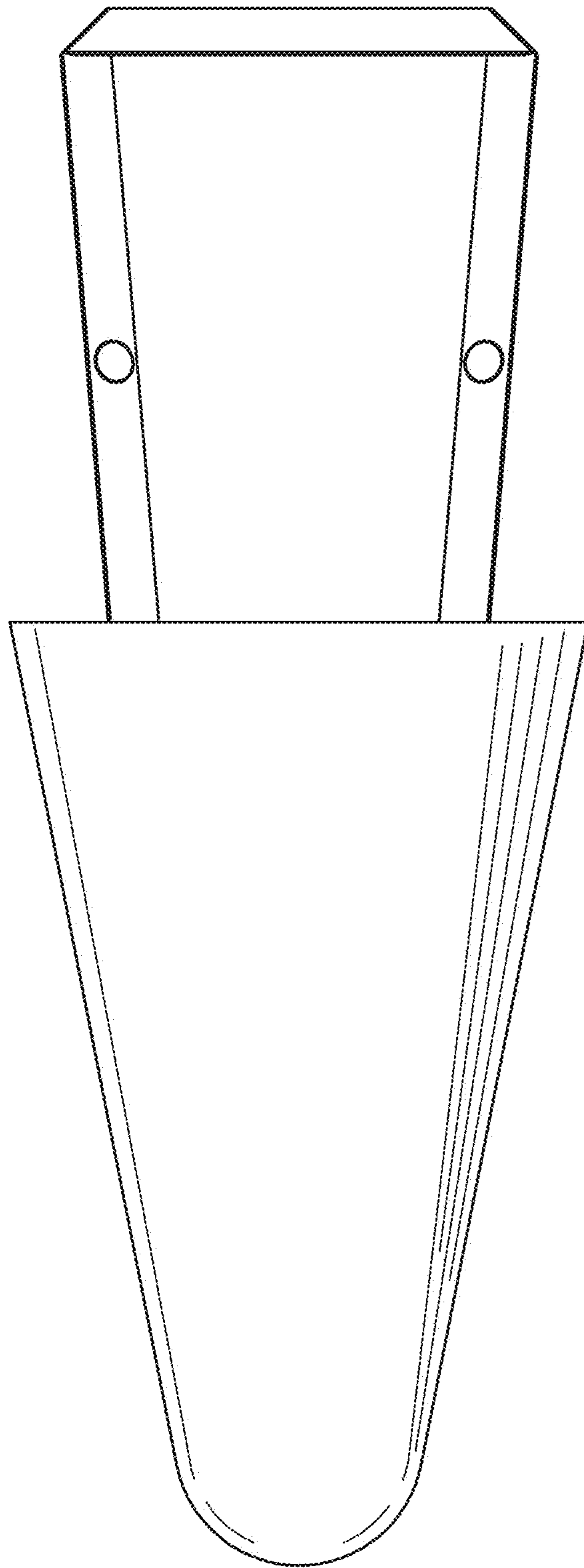


Fig. 3

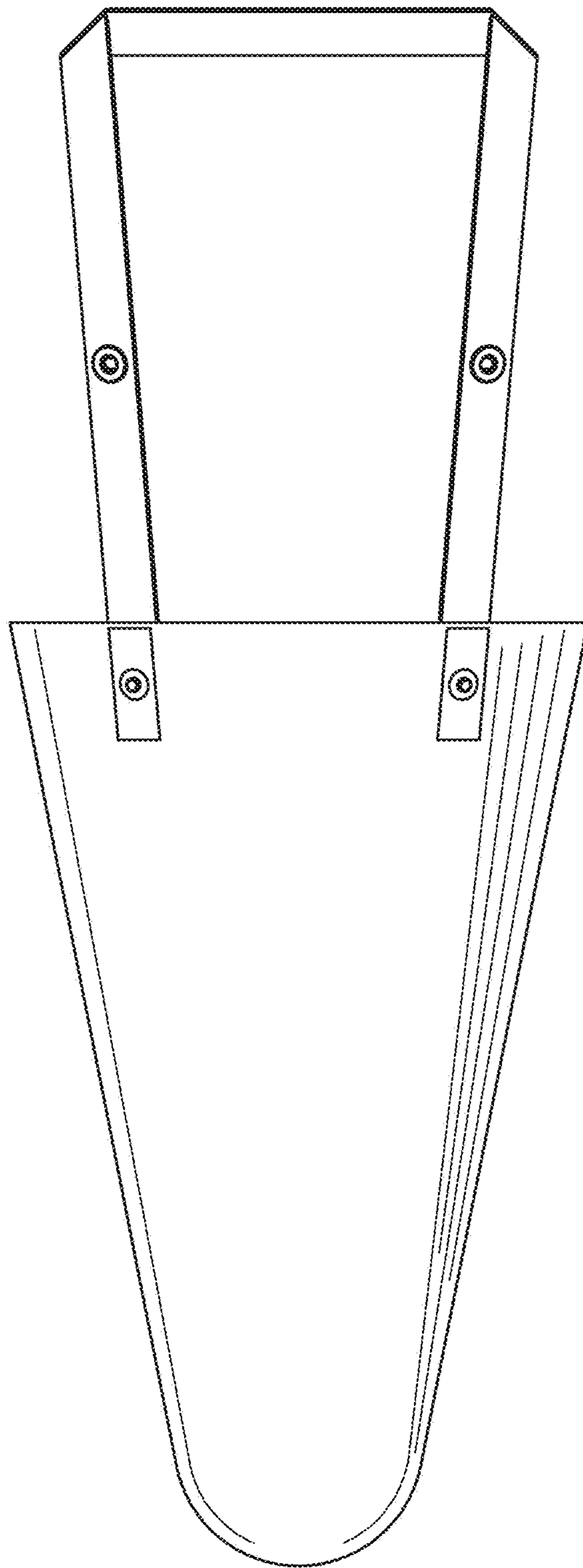


Fig. 4

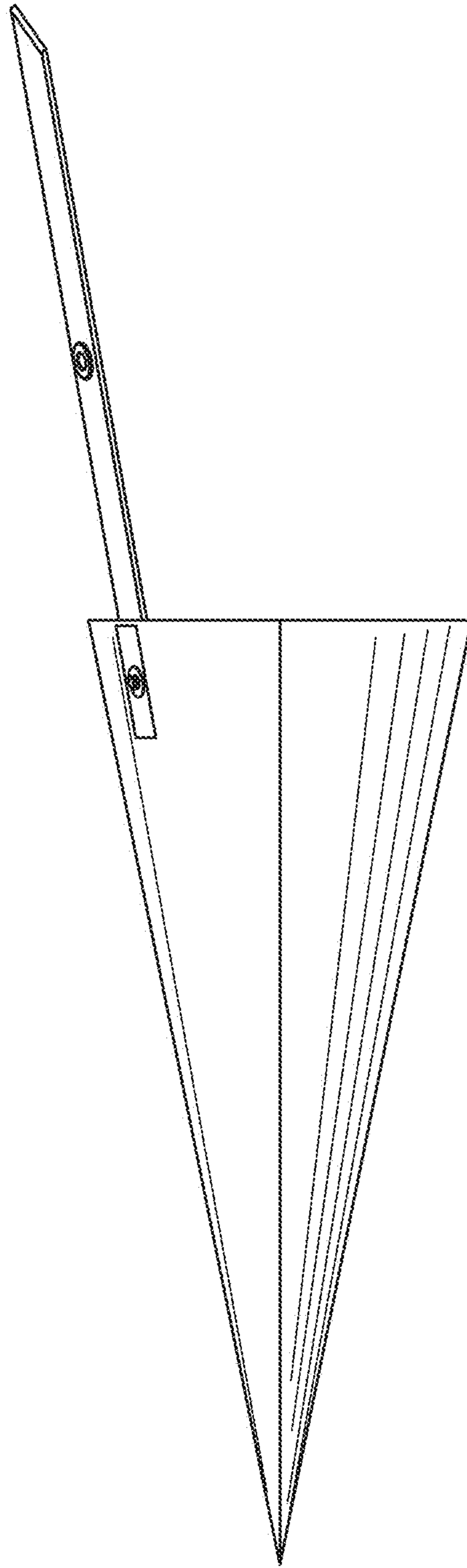


Fig. 5

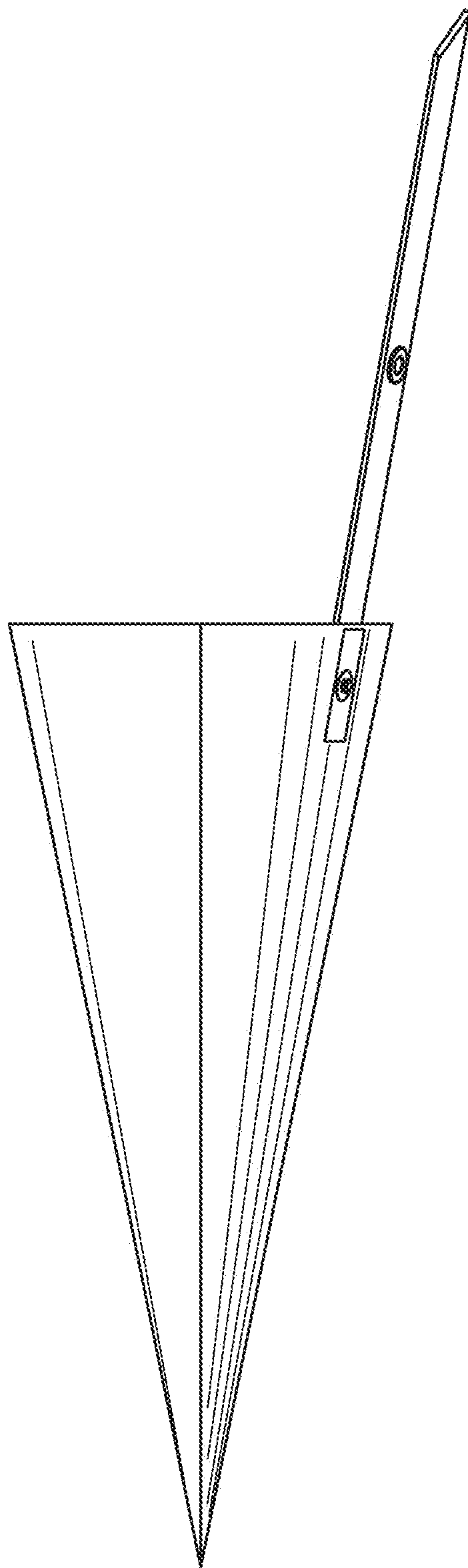


Fig. 6



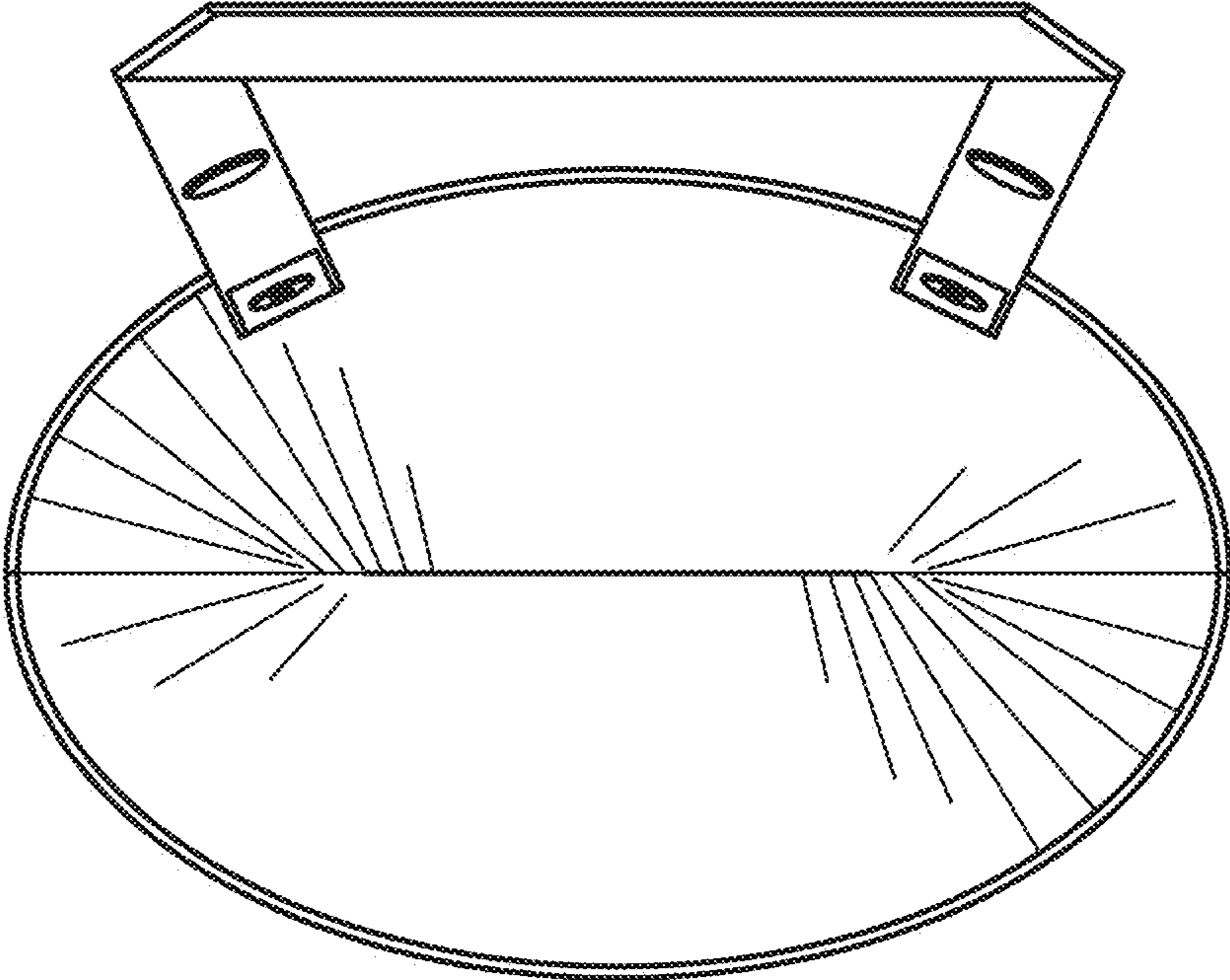


Fig. 7

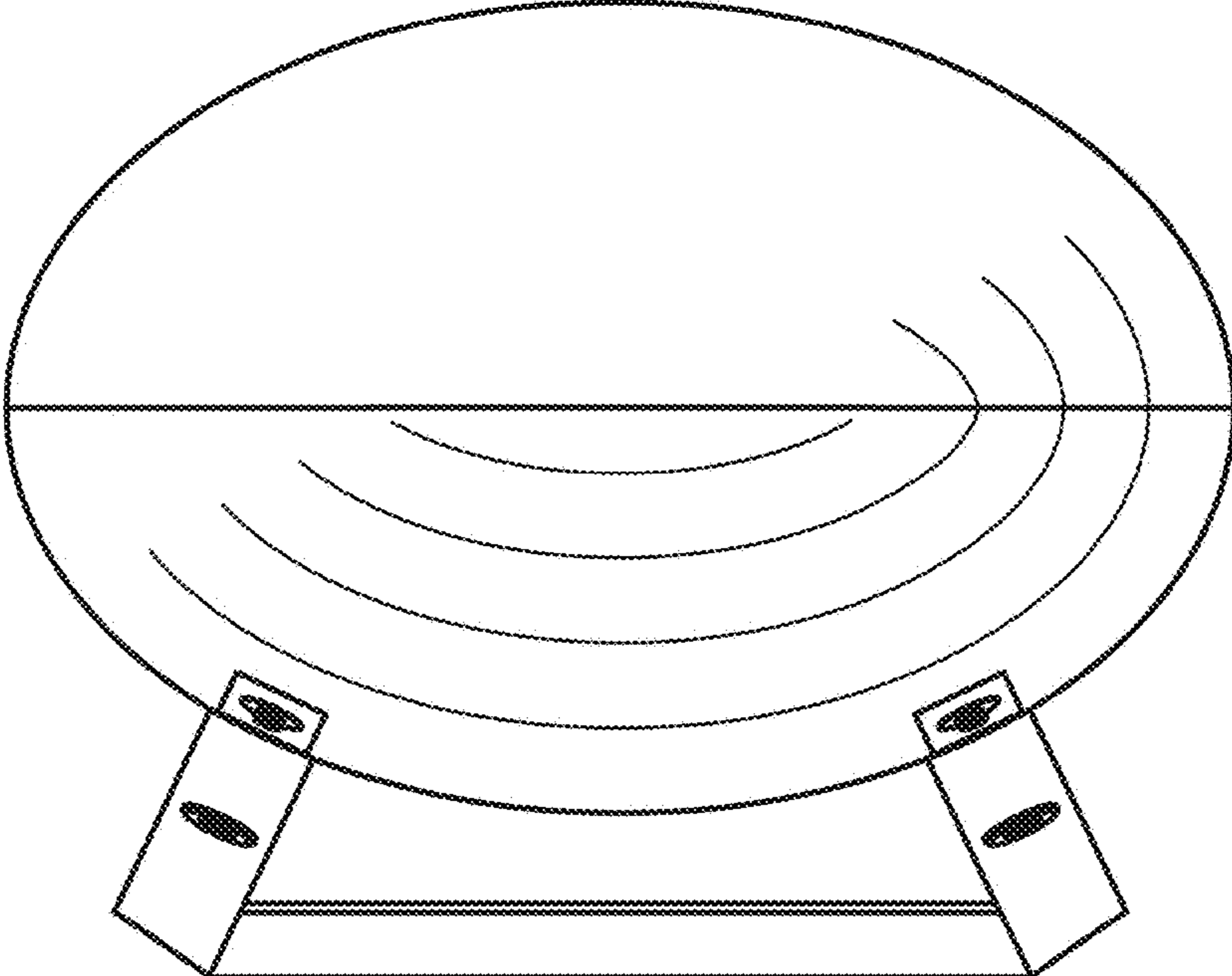


Fig. 8

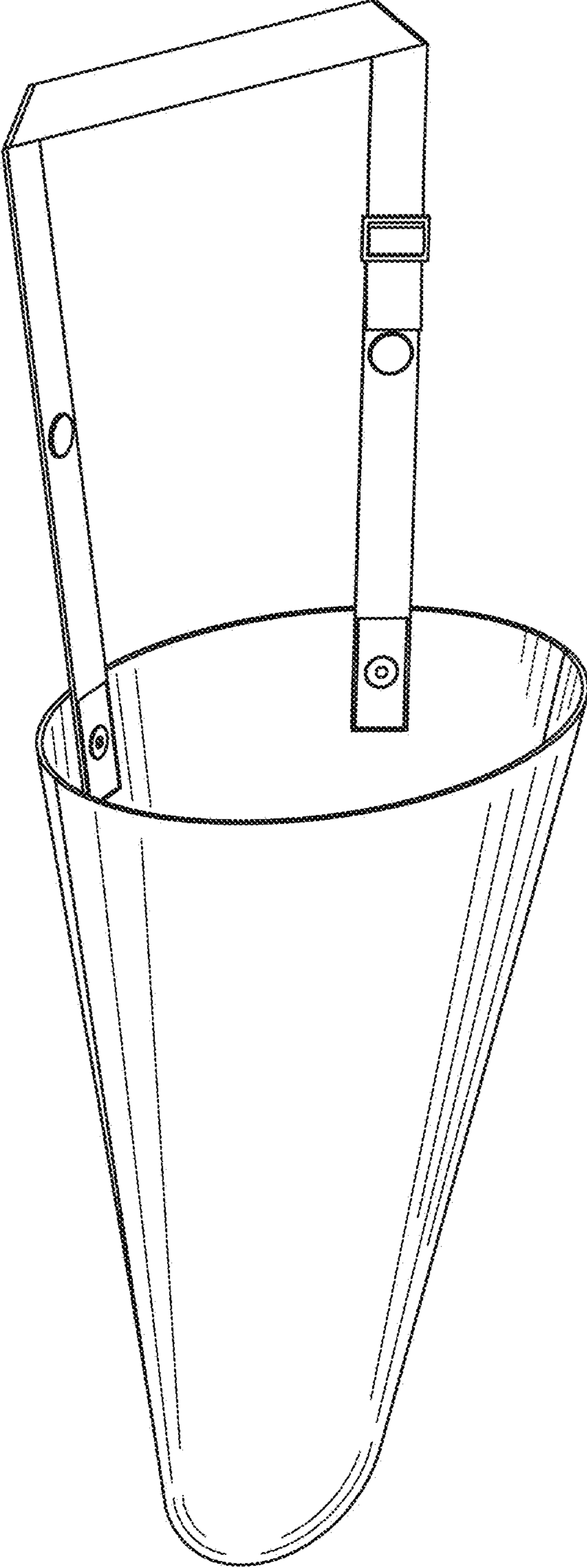


Fig. 9

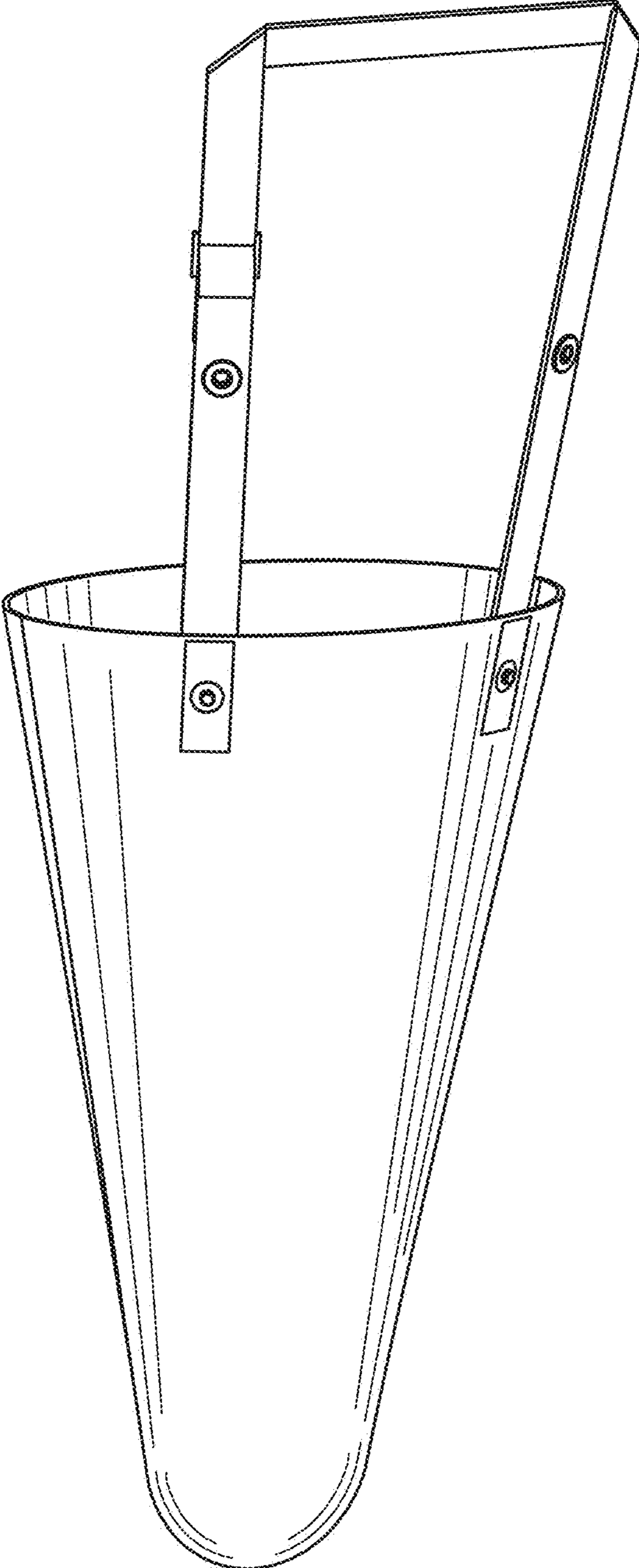


Fig. 10

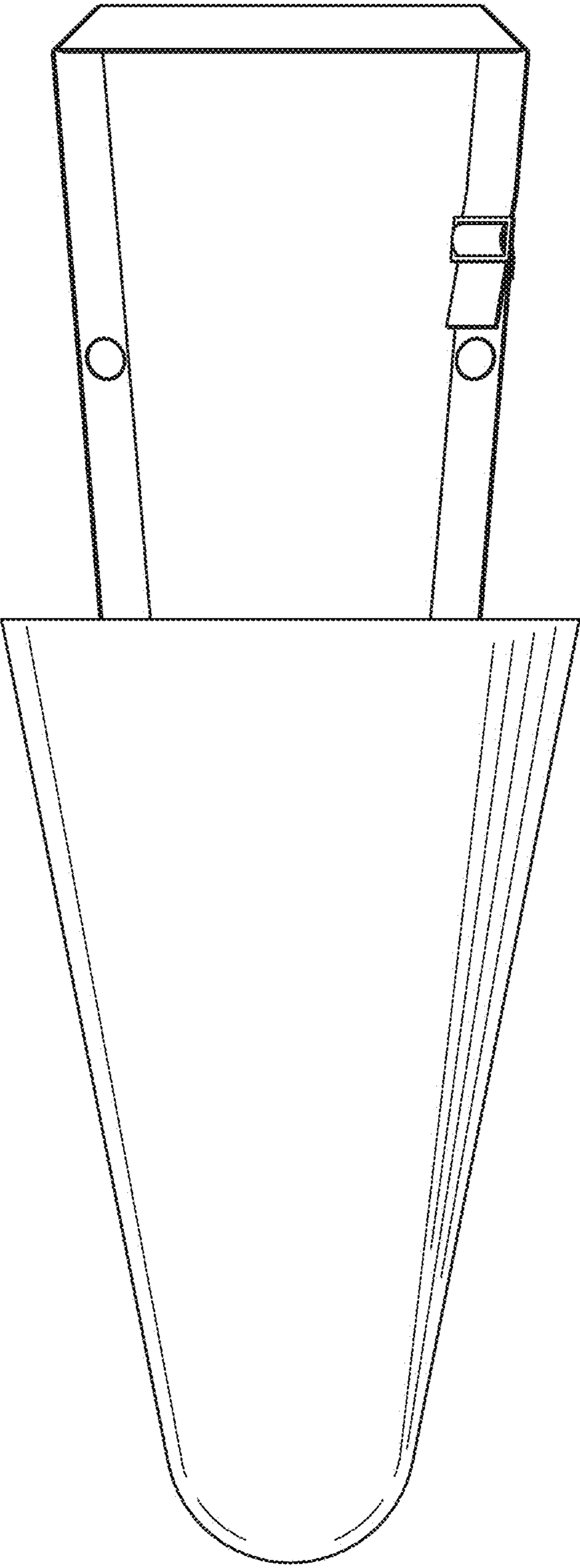


Fig. 11

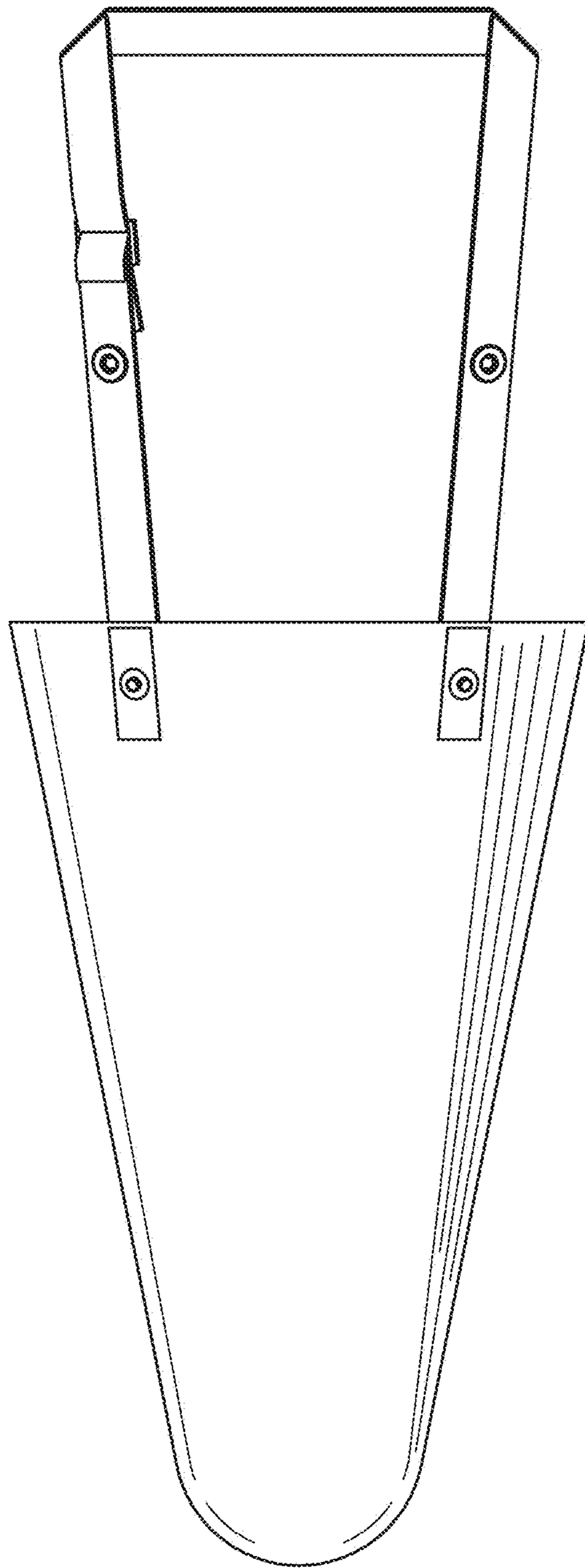


Fig. 12

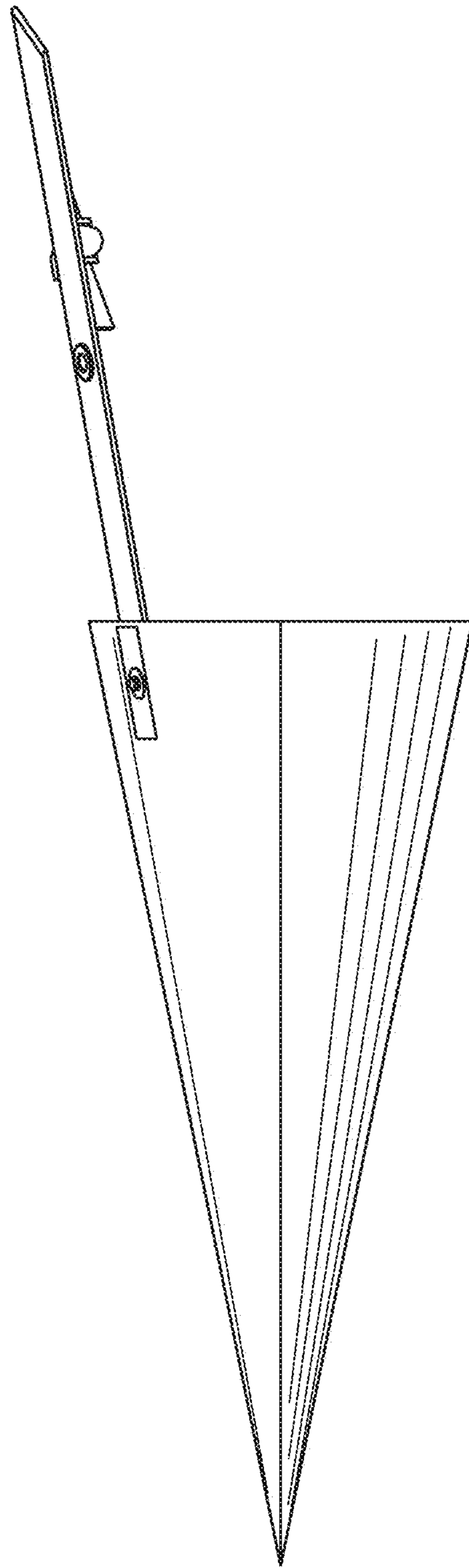


Fig. 13

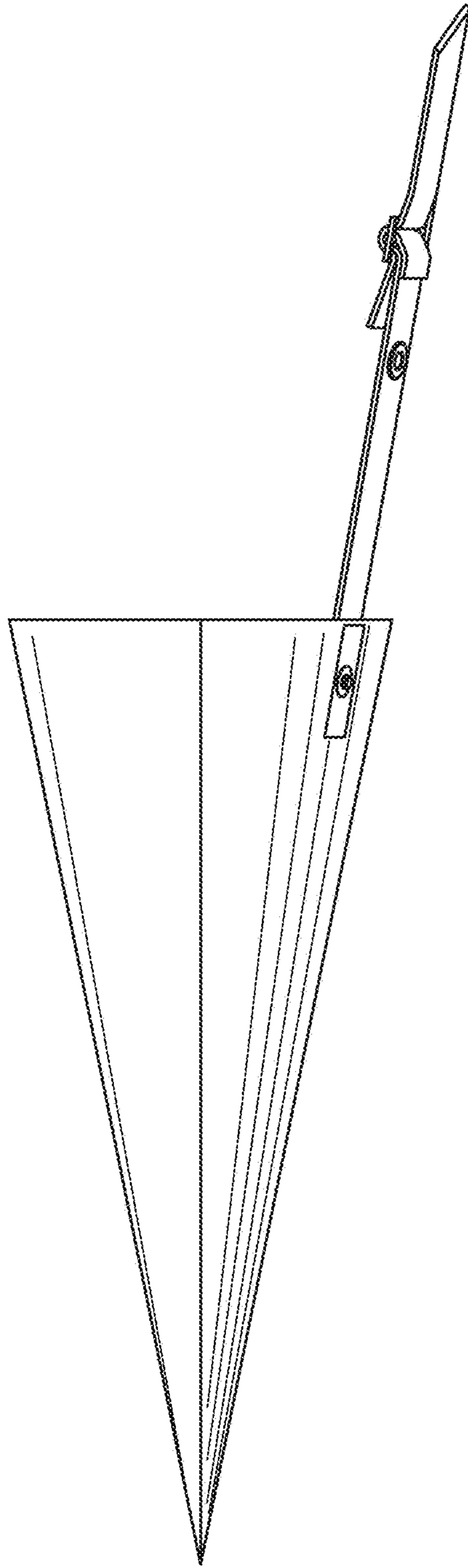


Fig. 14



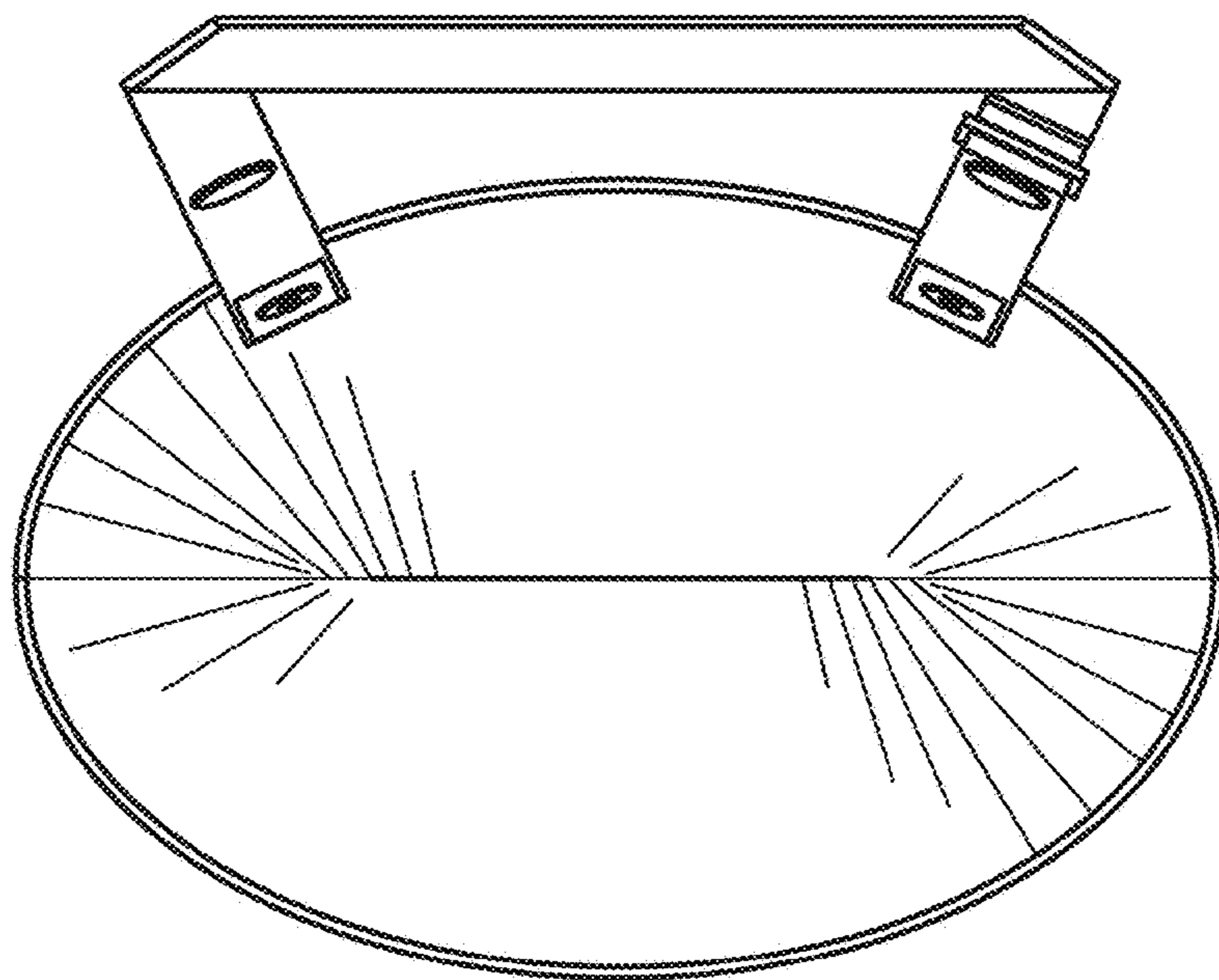


Fig. 15

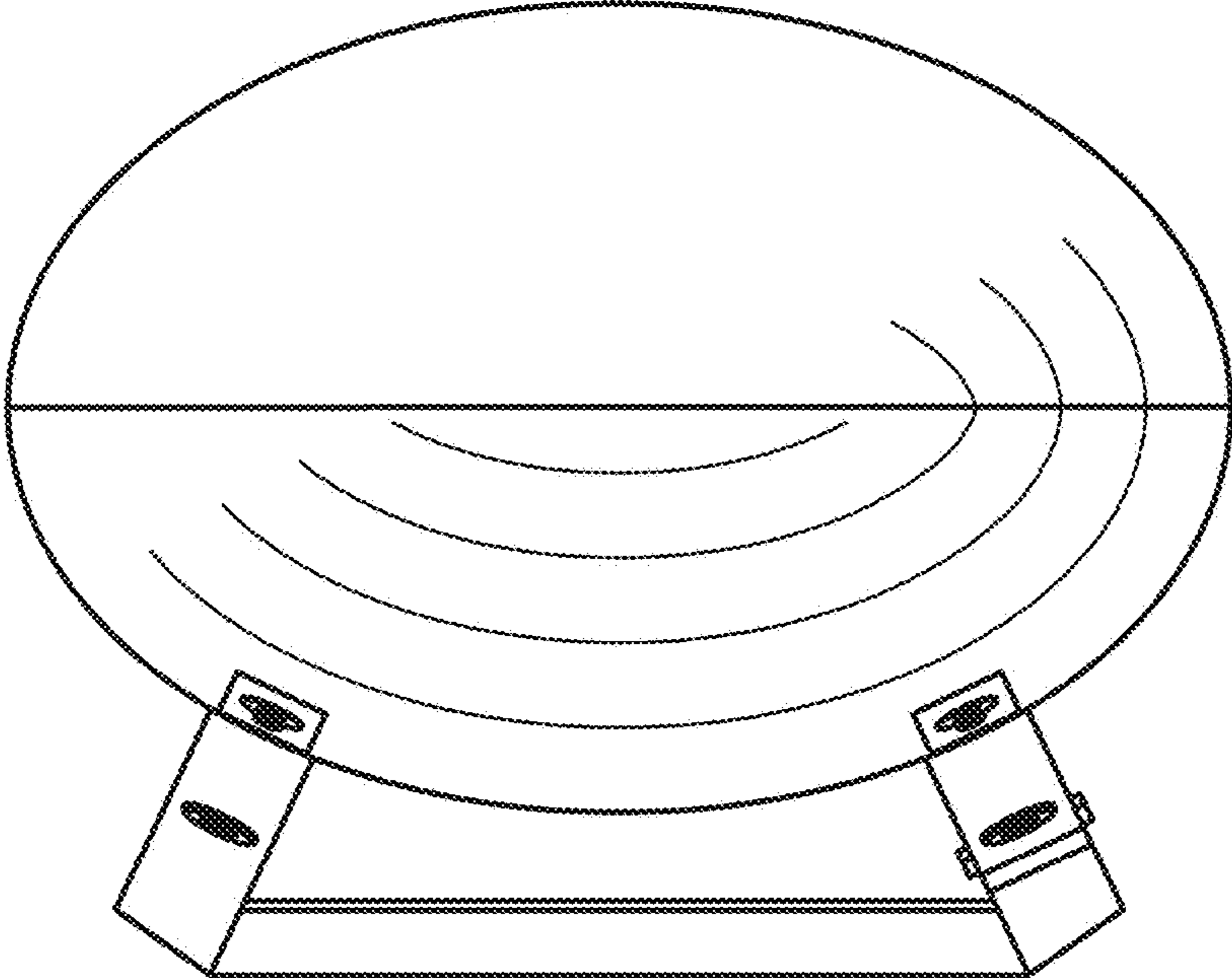


Fig. 16