



US00D831532S

(12) **United States Design Patent**
Larsen

(10) **Patent No.:** **US D831,532 S**
(45) **Date of Patent:** **** Oct. 23, 2018**

(54) **RAISED POTTING BED PLANTER**

FOREIGN PATENT DOCUMENTS

(71) Applicant: **Dotchi, LLC**, Miami, FL (US)
(72) Inventor: **Lars Holme Larsen**, Copenhagen (DK)
(**) Term: **15 Years**
(21) Appl. No.: **29/592,190**

CN	2031197 U	1/1989
DE	20 2006 000 586 U1	5/2006
DE	10 2005 058 436 A1	6/2007
EP	0 171 889 A1	2/1986
EP	1 541 011 A1	6/2005
EP	2 644 024 A1	10/2013
WO	2009/125023 A1	10/2009

(22) Filed: **Jan. 27, 2017**
(51) **LOC (11) Cl.** **11-02**
(52) **U.S. Cl.**
USPC **D11/143**
(58) **Field of Classification Search**
USPC D3/306; D6/403, 404, 405; D7/560,
D7/561, 562, 565, 584, 585, 586, 587,
D7/588; D9/424, 428, 429; D11/144,
D11/145, 146, 147, 148, 149, 150, 151,
D11/152, 153, 154, 155, 156, 164
CPC B65D 5/00; B65D 5/0015; B65D 5/061;
B65D 5/18; B65D 5/20; B65D 5/32;
B65D 5/321; B65D 5/322
See application file for complete search history.

OTHER PUBLICATIONS

Playmobil USA Lechuza Classico Self-Watering Polypropylene Indoor/Outdoor Planter, <http://www.hayneedle.com/product/classicoindoorplanter.cfm>, Retrieved from internet Feb. 16, 2015.

* cited by examiner

Primary Examiner — Karen S Acker
Assistant Examiner — Steven B Reinholdt, Jr.
(74) *Attorney, Agent, or Firm* — Cozen O'Connor

(57) **CLAIM**

I claim the ornamental design for a raised potting bed planter, as shown and described.

DESCRIPTION

(56) **References Cited**

U.S. PATENT DOCUMENTS

3,552,058 A	1/1971	Fici	
3,775,904 A	12/1973	Peters	
4,528,774 A	7/1985	Skaife	
D419,442 S *	1/2000	McClung	D9/425
6,345,470 B1	2/2002	Slaght et al.	
D495,597 S *	9/2004	Rubalcava	D9/424
7,171,783 B1	2/2007	Fidotti	
D553,980 S *	10/2007	VerWeyst	D9/432
D596,074 S *	7/2009	Bodum	D11/155
7,703,240 B2	4/2010	Watson et al.	
D655,221 S *	3/2012	Adams	D11/155
8,191,310 B2	6/2012	Keats	
D697,759 S *	1/2014	Katterheinrich	D7/584
D778,156 S *	2/2017	Follett	D9/432
2005/0005518 A1	1/2005	Iseki et al.	

FIG. 1 illustrates a top perspective view of the raised potting bed planter.
FIG. 2 illustrates a side view of the raised potting bed planter of FIG. 1.
FIG. 3 illustrates a top view of the raised potting bed planter in FIG. 1.
FIG. 4 illustrates a side view of the raised potting bed planter in FIG. 1.
FIG. 5 illustrates a bottom view of the raised potting bed planter in FIG. 1; and,
FIG. 6 illustrates a side view of the raised potting bed planter of FIG. 1.
The broken lines depict portions of the raised potting bed planter, that form no part of the claim.

1 Claim, 4 Drawing Sheets

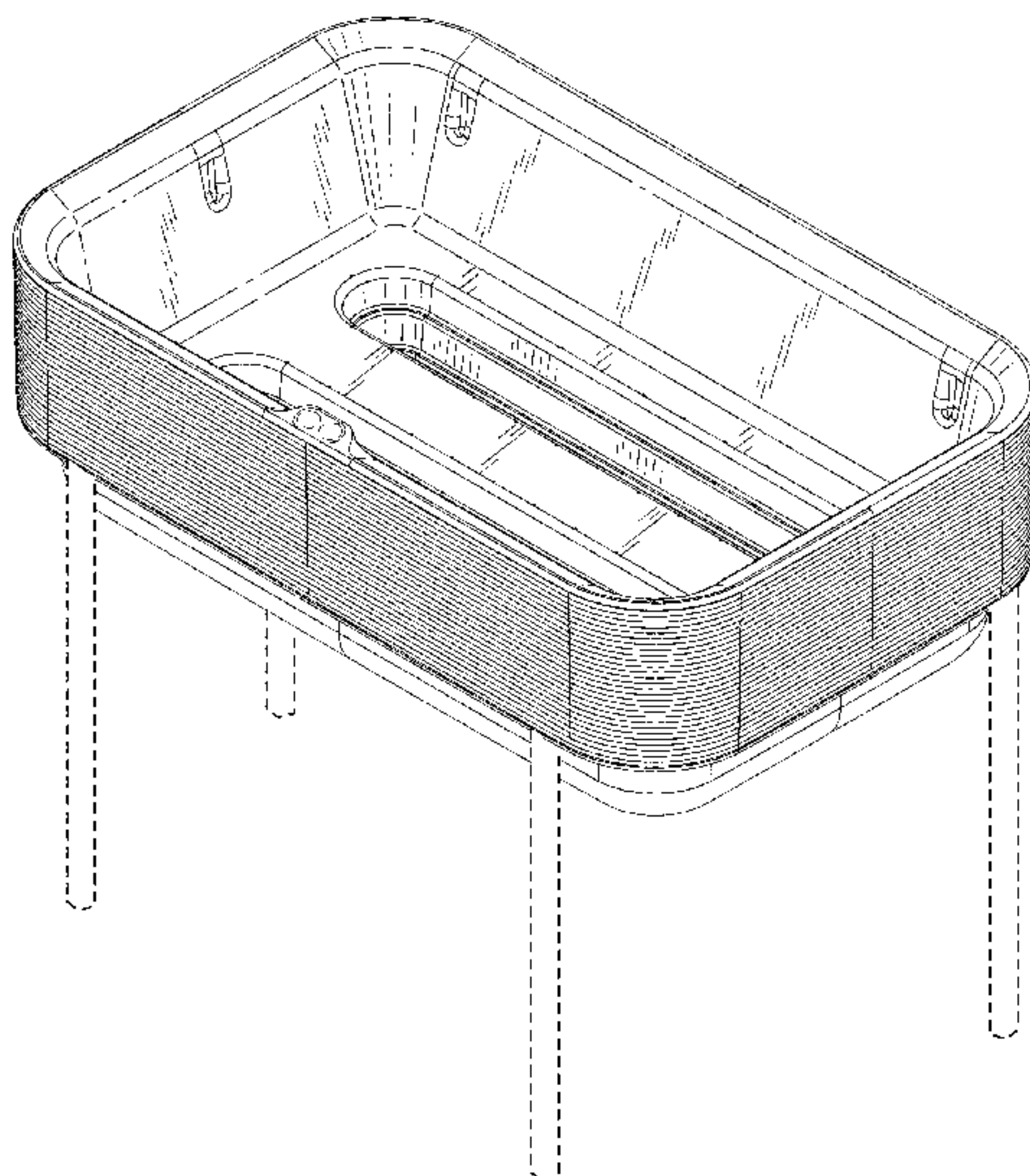


FIG. 1

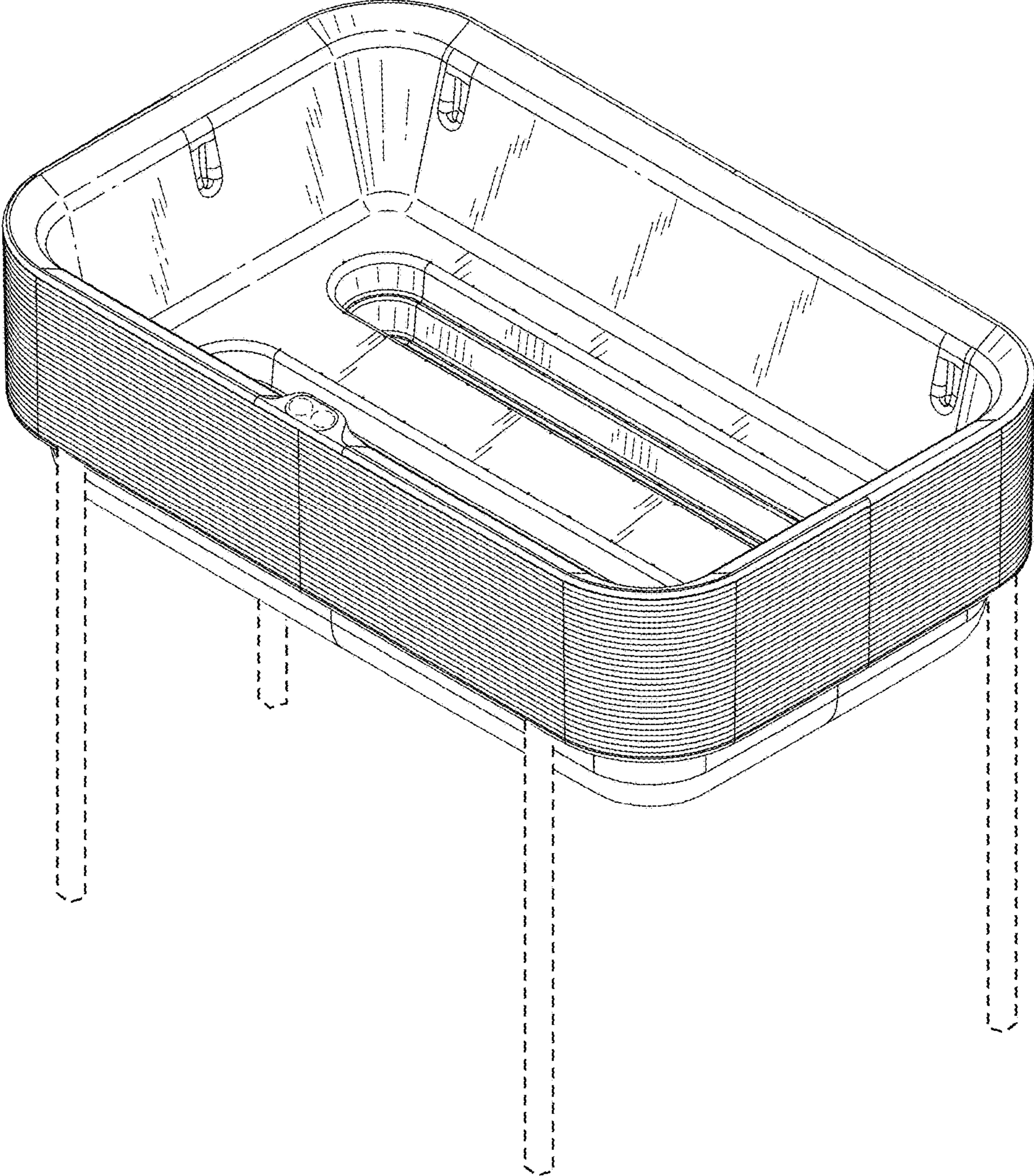


FIG. 2

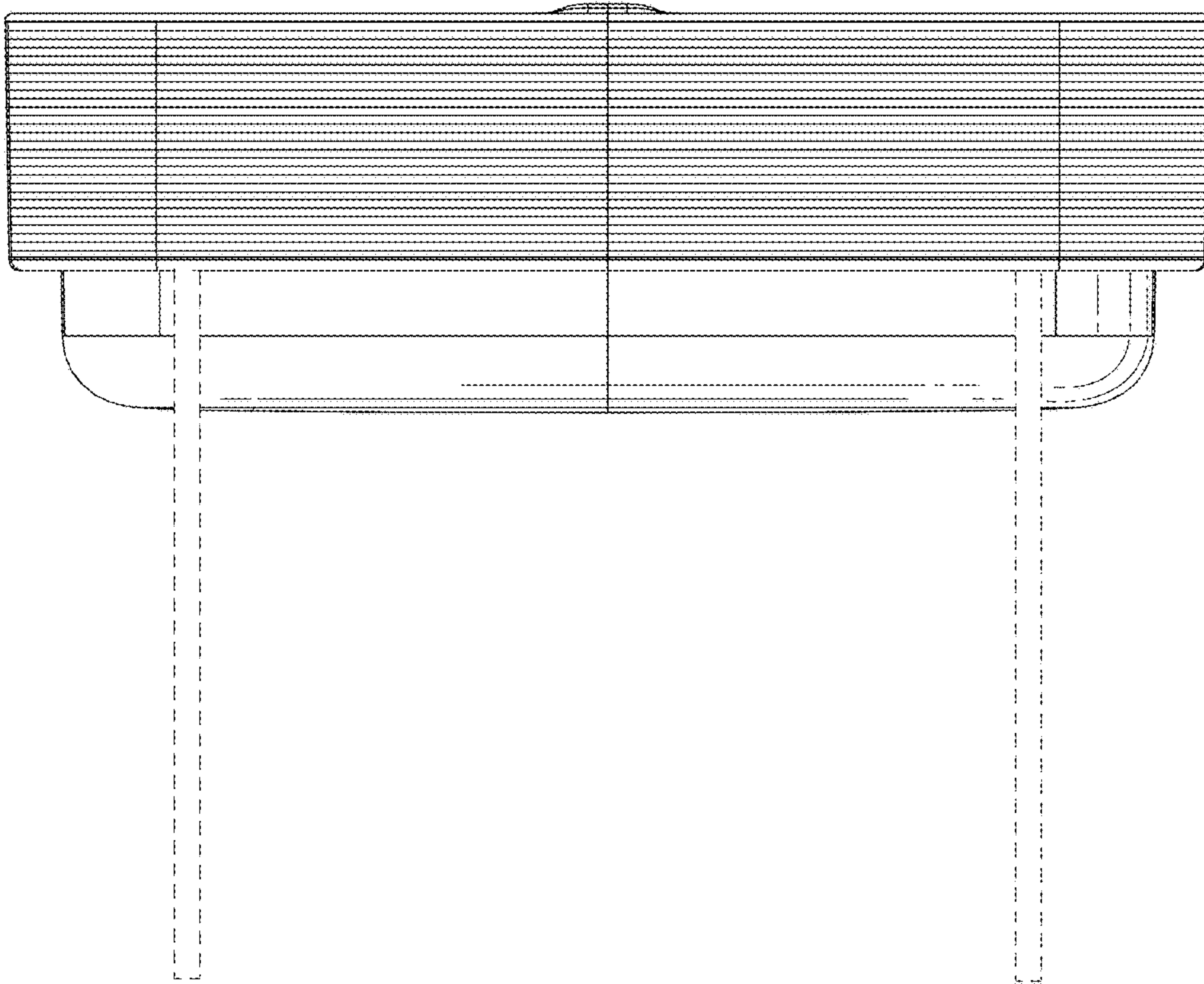


FIG. 3

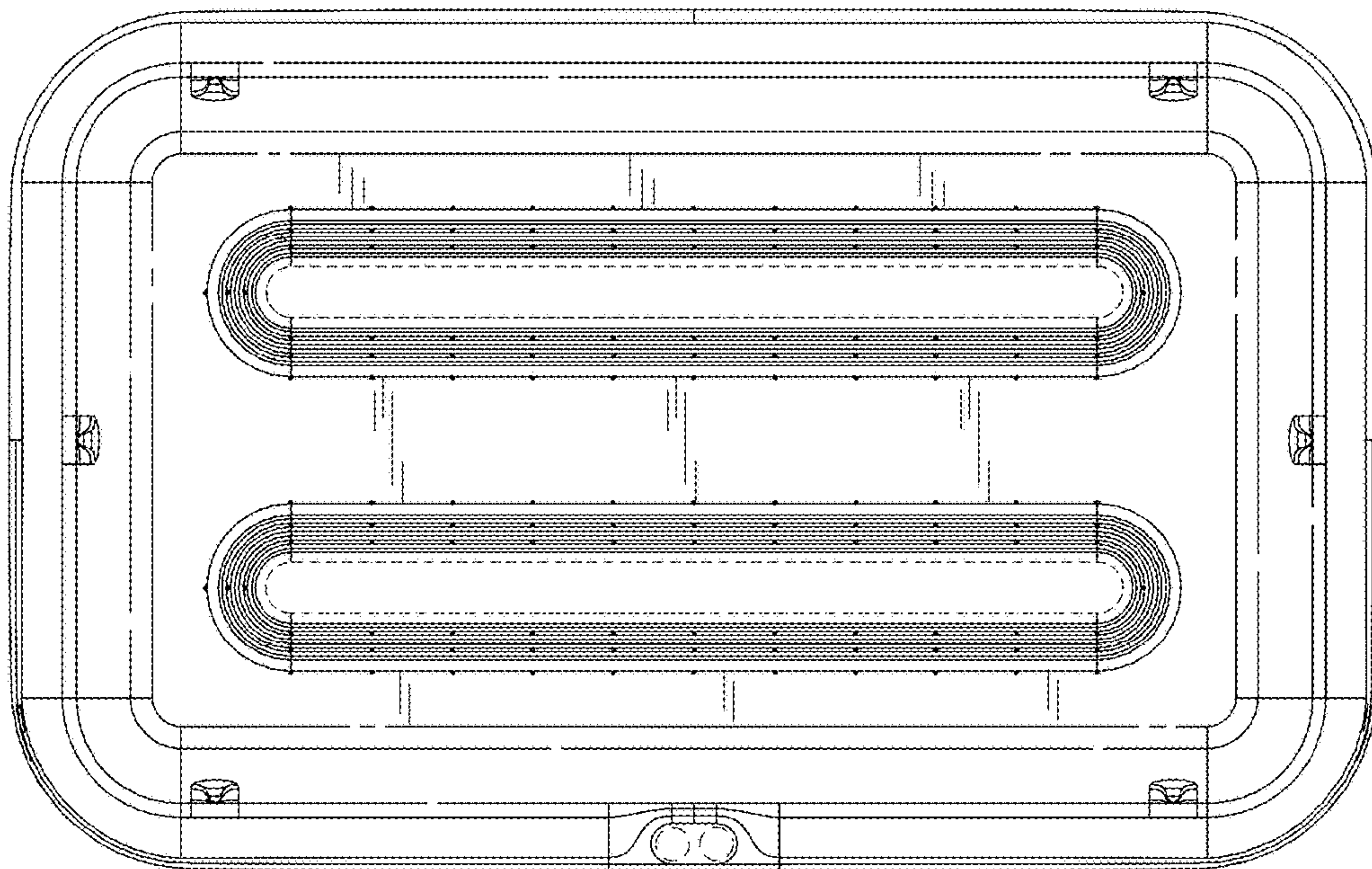


FIG. 4

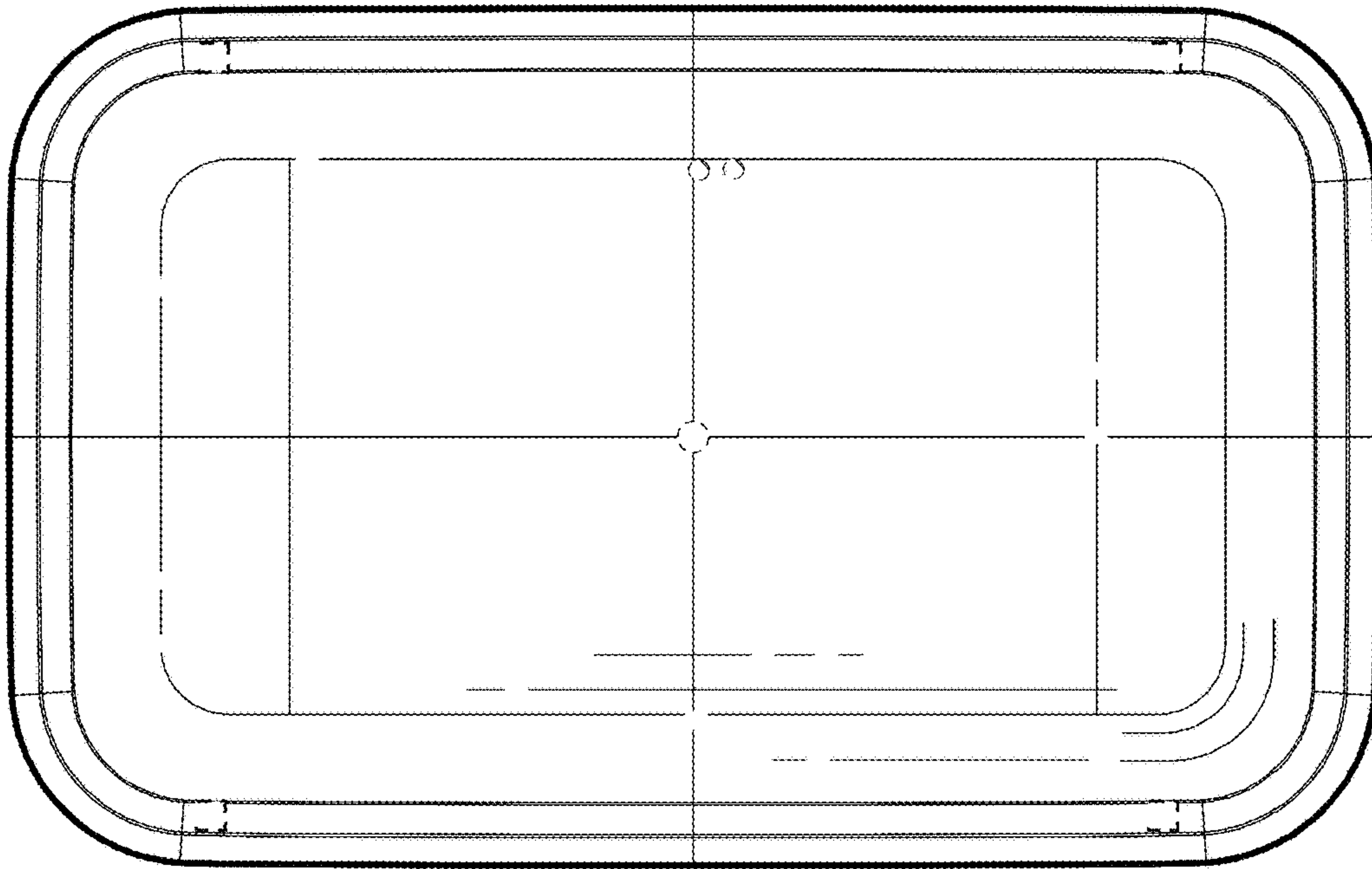


FIG. 5

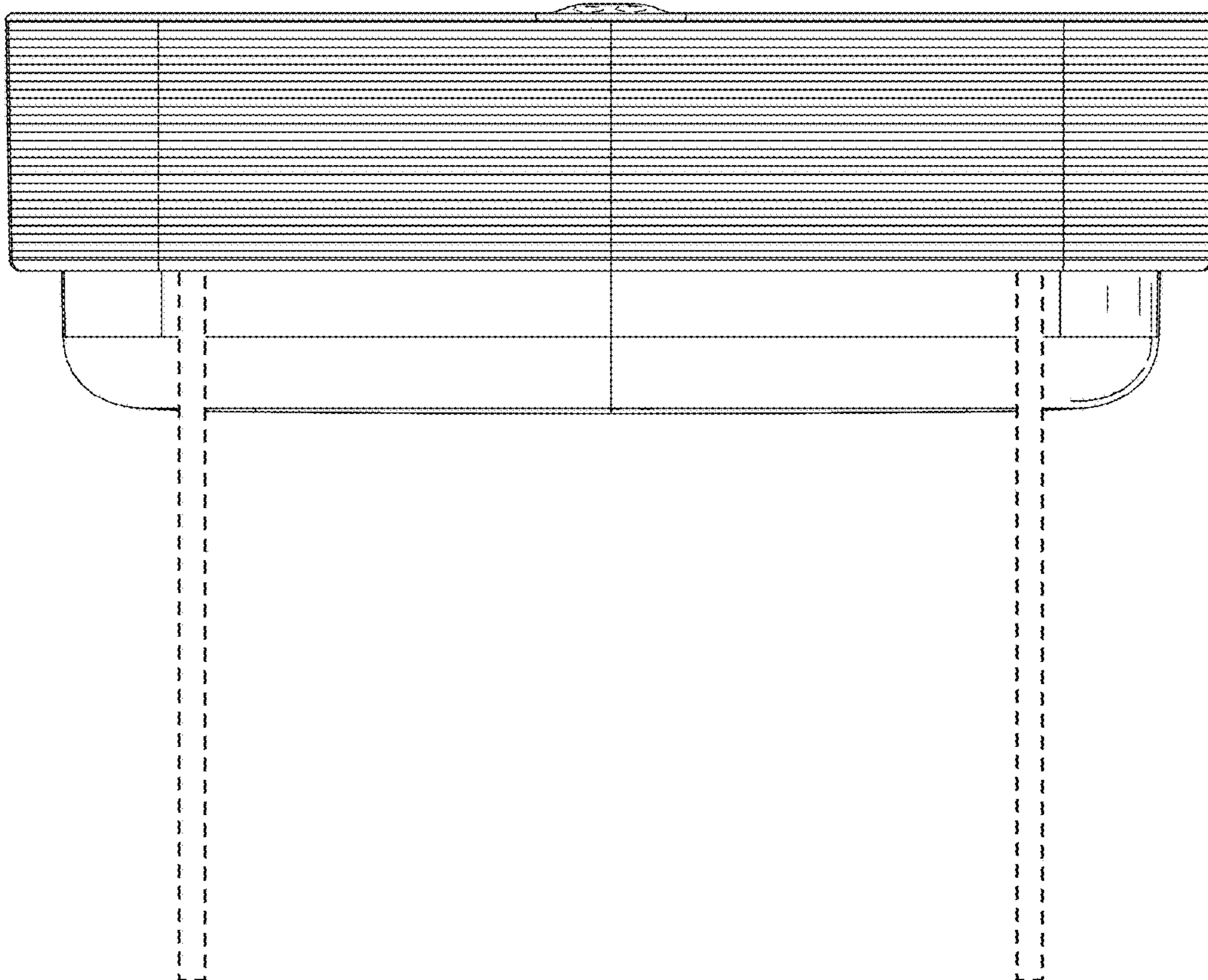


FIG. 6

