



US00D831531S

(12) **United States Design Patent** (10) **Patent No.:** **US D831,531 S**  
**Zhao** (45) **Date of Patent:** **\*\* Oct. 23, 2018**

- (54) **TREE STAND**
- (71) Applicant: **NINGBO FLYING-HORSE INTERNATIONAL TRADE CO., LTD, Ningbo (CN)**
- (72) Inventor: **Honghua Zhao, Ningbo (CN)**
- (73) Assignee: **Ningbo Flying-Horse International Trade Co., Ltd., Ningbo (CN)**
- (\*\*) Term: **15 Years**
- (21) Appl. No.: **29/585,411**
- (22) Filed: **Nov. 23, 2016**
- (51) **LOC (11) Cl.** ..... **06-99**
- (52) **U.S. Cl.**  
USPC ..... **D11/130.1**
- (58) **Field of Classification Search**  
USPC ... D11/117, 121, 130, 130.1, 131, 143, 144, D11/152, 153, 154; 428/7, 8, 9, 12, 15, 428/19, 20; 248/519, 523-526; 47/39, 47/40.5, 41.01, 41.1, 41.11-41.15, 42, 43  
CPC . E04H 12/2238; E04H 12/3346; A47G 33/12; A47G 33/1206; A47G 33/1213; A47G 33/1226; A47G 33/1246; A47G 33/126  
See application file for complete search history.

3,838,838 A *	10/1974	Seaman, Jr. ....	A47G 33/12 248/188.7
D329,208 S *	9/1992	Bowling .....	D11/130.1
D330,875 S *	11/1992	Boucher .....	D11/130.1
D370,185 S *	5/1996	Grimm .....	D11/130.1
D374,195 S	10/1996	Wright et al.	
D381,598 S *	7/1997	Roberts .....	D11/130.1
D382,227 S *	8/1997	Adams .....	D11/130.1
D418,082 S *	12/1999	Baumann .....	D11/130.1
D451,839 S *	12/2001	Pomeroy .....	D11/130.1
D480,014 S *	9/2003	Goerke .....	D11/130.1
D497,832 S *	11/2004	Glover .....	D11/130.1
D498,172 S	11/2004	Verni	
D543,895 S *	6/2007	Bolster .....	D11/117
D572,167 S *	7/2008	Boucher .....	D11/130
D575,188 S	8/2008	Bycraft	
D676,353 S	2/2013	Bycraft	

\* cited by examiner

*Primary Examiner* — Elizabeth J Oswecki  
(74) *Attorney, Agent, or Firm* — Schmeiser, Olsen & Watts, LLP

(57) **CLAIM**

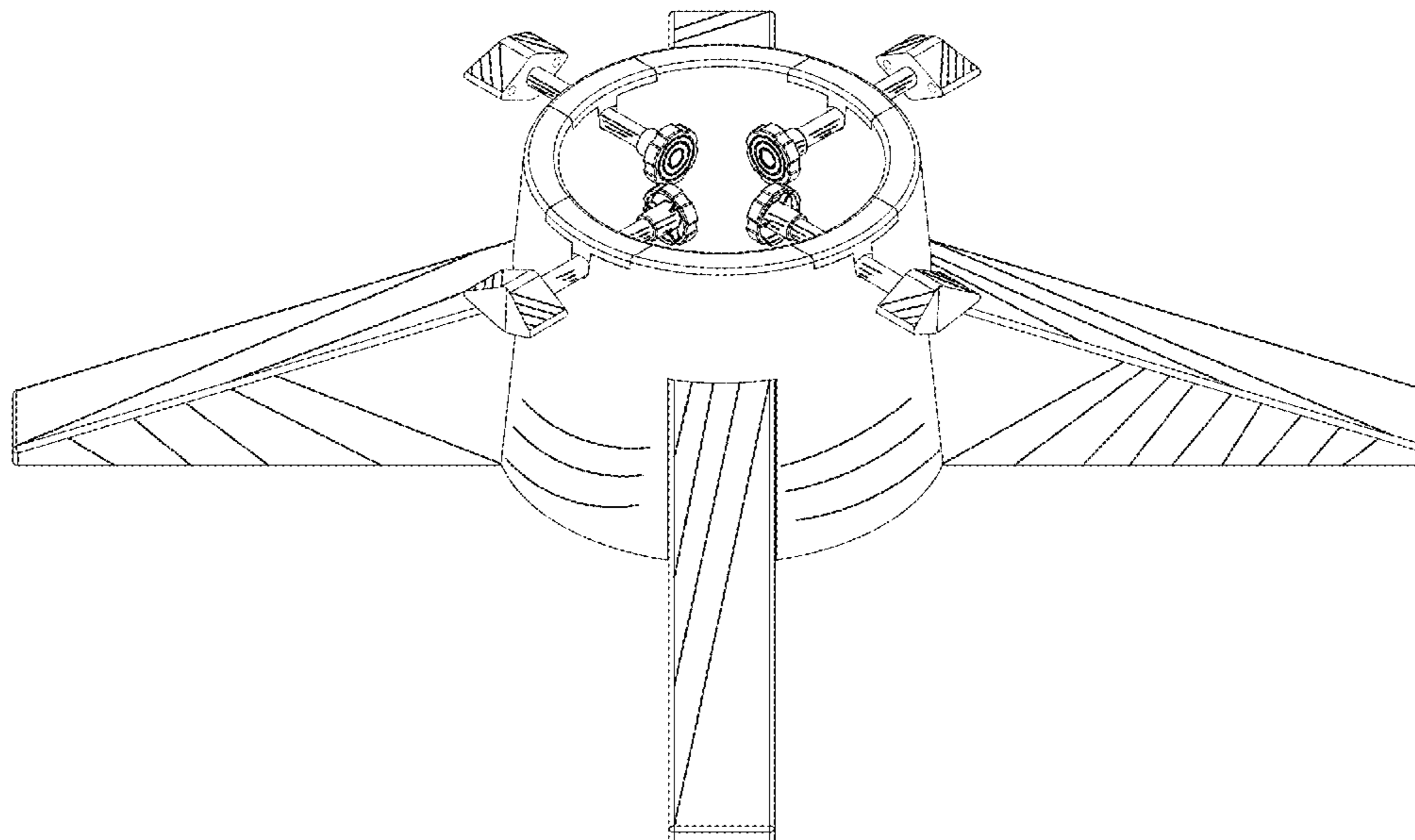
The ornamental design for a tree stand, as shown and described.

**DESCRIPTION**

FIG. 1 is a front elevational view of a tree stand showing my new design;  
FIG. 2 is a rear elevational view thereof;  
FIG. 3 is a left side elevational view thereof;  
FIG. 4 is a right side elevational view thereof;  
FIG. 5 is a top plan view thereof;  
FIG. 6 is a bottom plan view thereof; and,  
FIG. 7 is a perspective view thereof.  
The broken lines illustrate portions of a tree stand and form no part of the claimed design.

**1 Claim, 7 Drawing Sheets**

- (56) **References Cited**  
U.S. PATENT DOCUMENTS  
2,500,215 A \* 3/1950 Swearingen ..... A47G 33/12  
248/524  
2,516,802 A \* 7/1950 Richards ..... A47G 33/12  
248/523  
2,936,144 A \* 5/1960 Otis ..... A47F 5/112  
248/150  
D232,791 S \* 9/1974 Schulz ..... D11/130.1



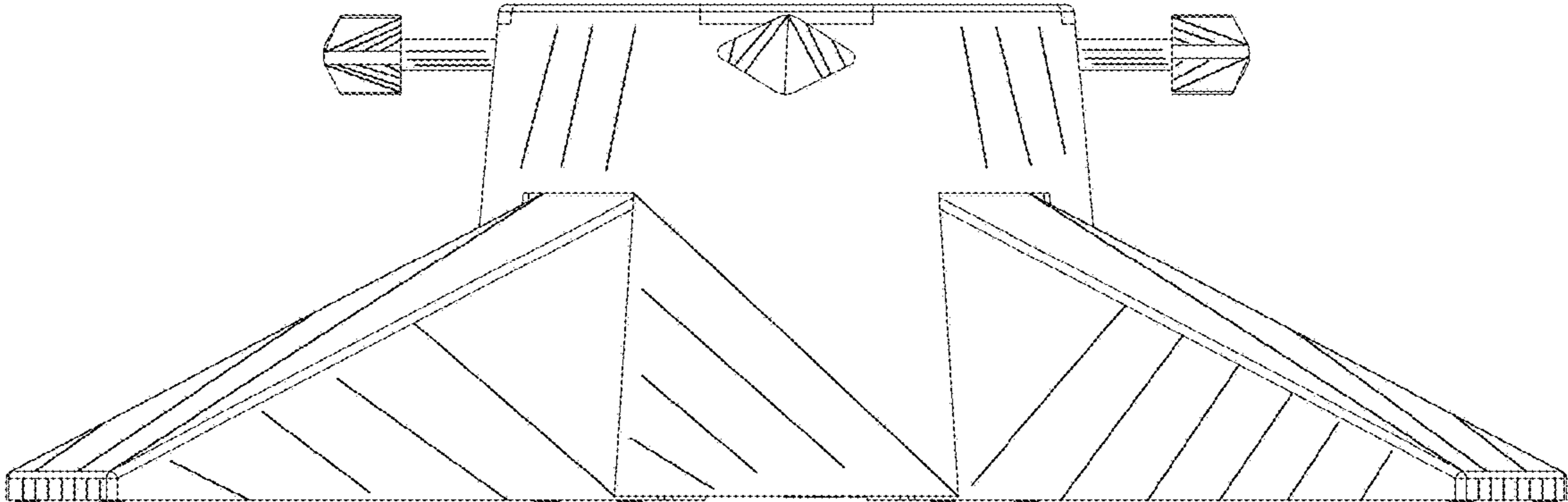


FIG. 1

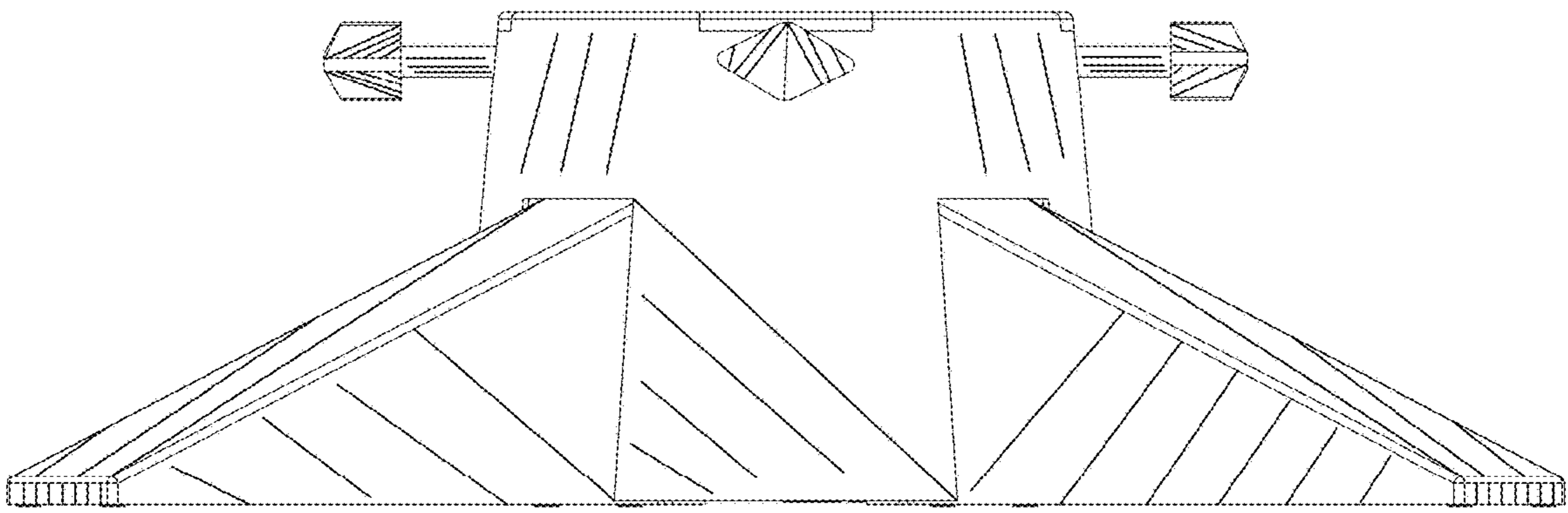


FIG. 2

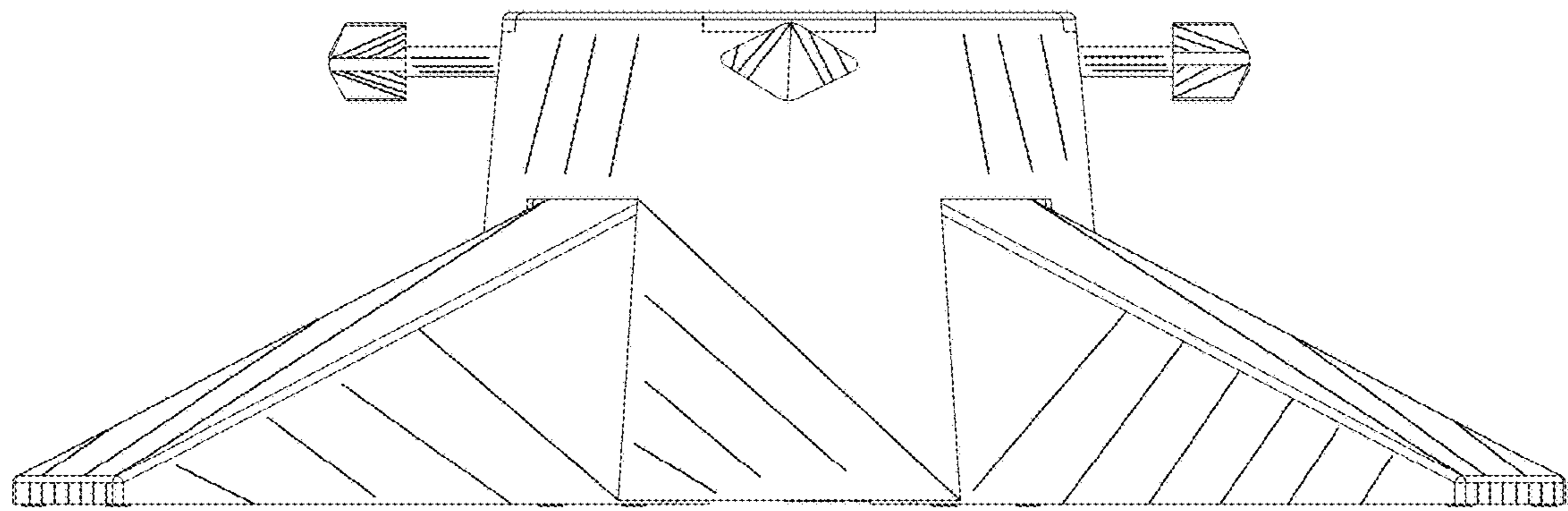


FIG. 3

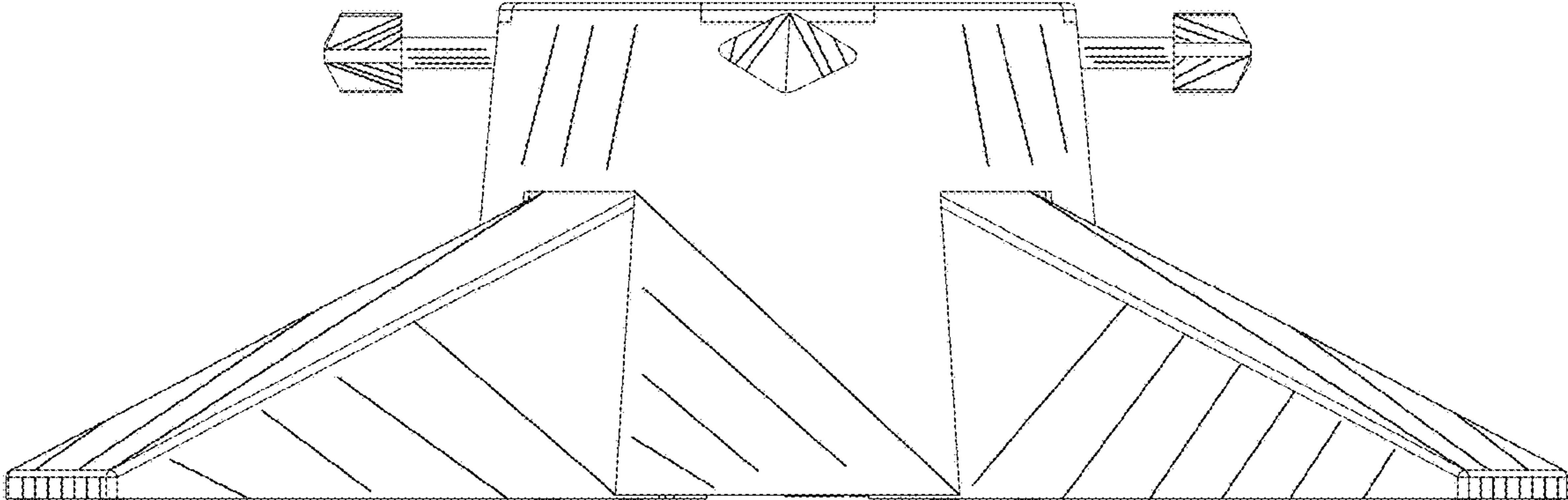


FIG. 4

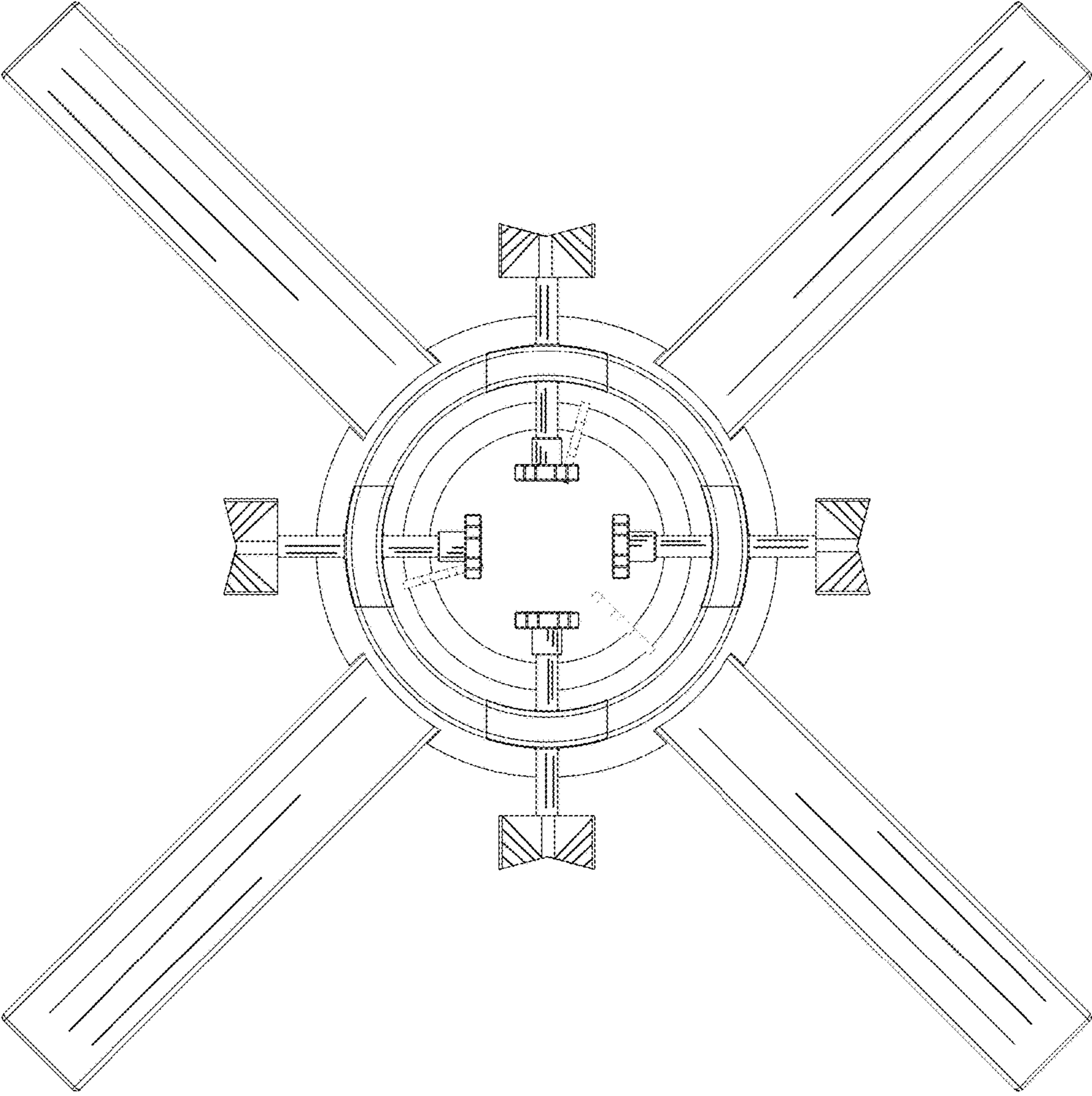


FIG. 5

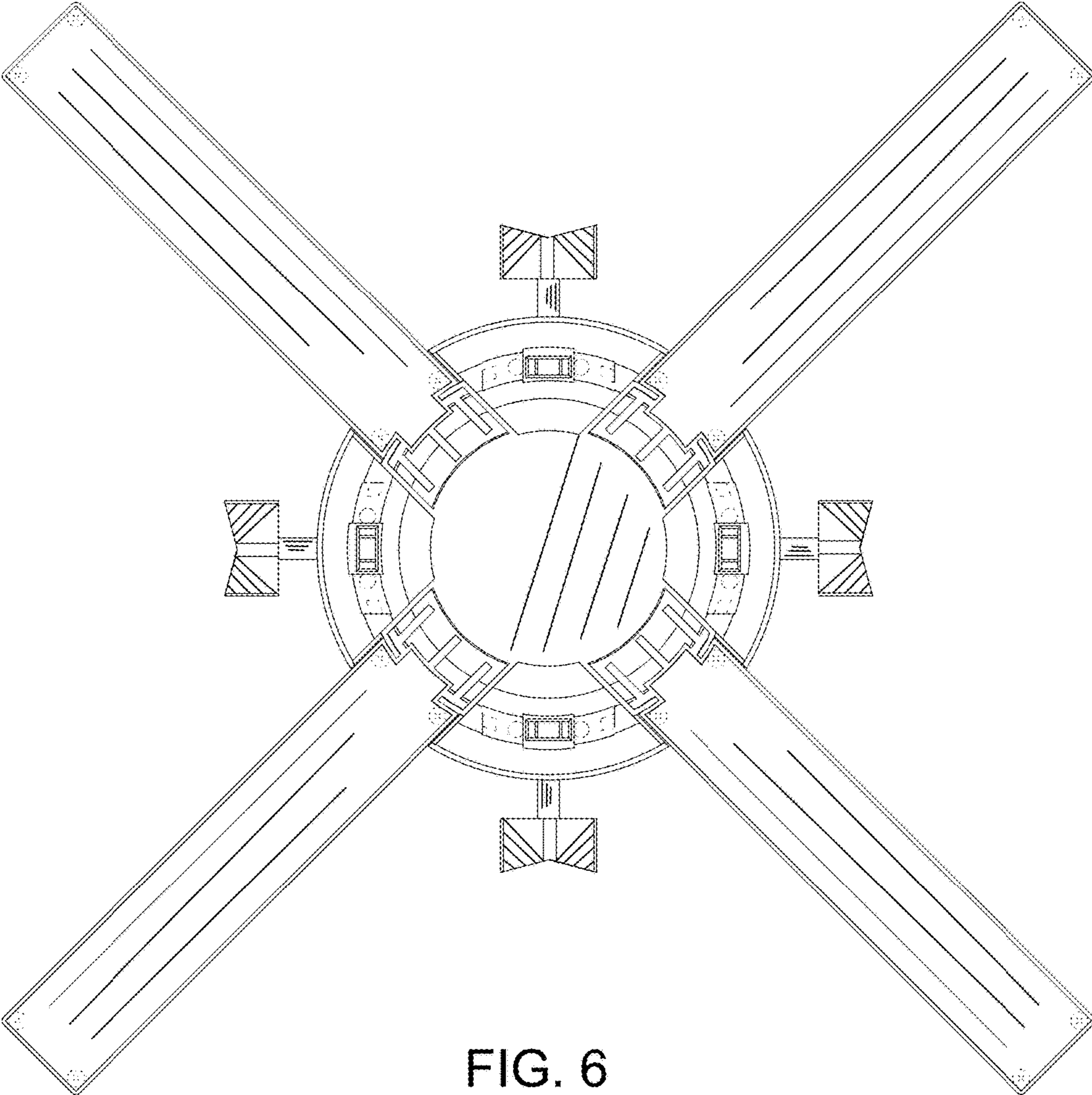


FIG. 6

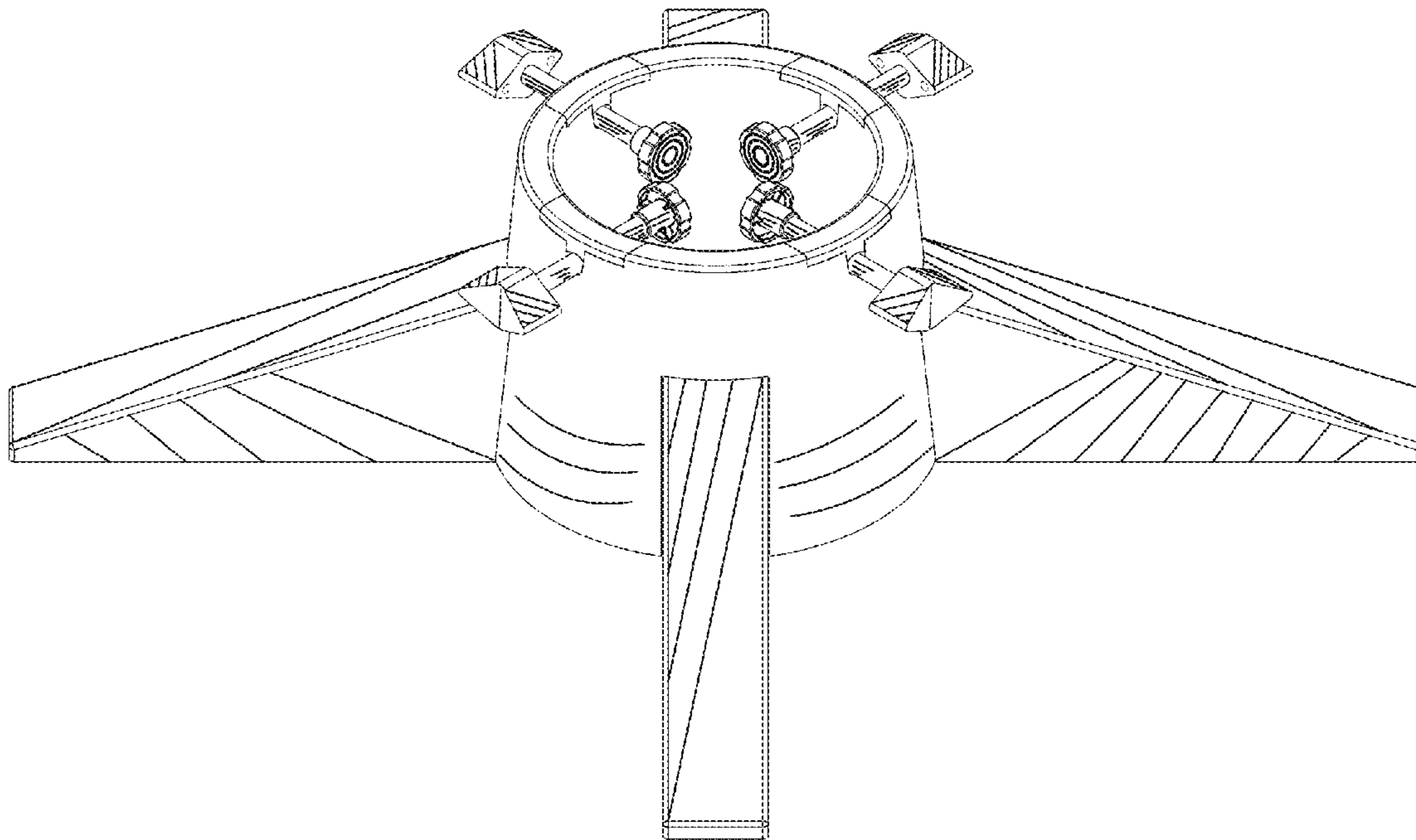


FIG. 7