



US00D831530S

(12) **United States Design Patent** (10) **Patent No.:** **US D831,530 S**  
**Dholakiya** (45) **Date of Patent:** **\*\* Oct. 23, 2018**

(54) **GEMSTONE JEWELRY SETTING**

(71) Applicant: **H.K. Designs Inc.**, New York, NY (US)  
(72) Inventor: **Hasu Dholakiya**, New York, NY (US)  
(73) Assignee: **H.K. DESIGNS INC.**, New York, NY (US)

(\*\*) Term: **15 Years**

(21) Appl. No.: **29/587,071**

(22) Filed: **Dec. 9, 2016**

(51) **LOC (11) Cl.** ..... **11-01**

(52) **U.S. Cl.**  
USPC ..... **D11/91; D11/1**

(58) **Field of Classification Search**  
USPC ..... D11/1, 2, 7, 8, 11, 16, 17, 24, 27, 40,  
D11/41-44, 56, 66, 70, 75, 76, 79, 86,  
D11/89, 91, 103, 108, 121, 184, 202, 212,  
D11/228; D8/383  
CPC . A44C 13/00; A44C 17/0225; A44C 17/0241;  
A44C 25/00  
See application file for complete search history.

(56) **References Cited**

**U.S. PATENT DOCUMENTS**

D337,069 S *	7/1993	Chia	.....	D11/6
D337,741 S *	7/1993	Garfalo	.....	D11/40
D337,964 S *	8/1993	Garfalo	.....	D11/40
D397,307 S *	8/1998	Shenhav	.....	D11/79
D412,460 S *	8/1999	Bergagnini	.....	D11/79
D453,122 S *	1/2002	Chia	.....	D11/93
D518,407 S *	4/2006	Stern	.....	D11/86
D537,012 S *	2/2007	Aghjayan	.....	D11/40
D562,181 S *	2/2008	Fogel	.....	D11/91
D573,453 S *	7/2008	Buckley	.....	D8/382
D751,627 S *	3/2016	Warner	.....	D16/250
D771,481 S *	11/2016	Alvarez	.....	D11/202
D782,561 S *	3/2017	Worthington	.....	D16/237

**OTHER PUBLICATIONS**

Heart Shape Diamond Diamond Ring (available online) Retrieved from the internet Feb. 13, 2018, retrieved from URL: <http://www.diamondsbylauren.com/index.php/jewelry/loose-colorless-diamond-55ct-d-internally-flawless-heart-shape-gia-perfection-r5814>.  
Heart Ring Mounting (available online) Retrieved from the internet Feb. 13, 2018, retrieved from URL: <https://www.stuller.com/products/build/71674/11030213/?groupId=121367&recommendationSource=SiteSearch#/mounting-options>.

(Continued)

*Primary Examiner* — Kevin K Rudzinski

*Assistant Examiner* — Richard Kearney

(74) *Attorney, Agent, or Firm* — Ostrolenk Faber LLP

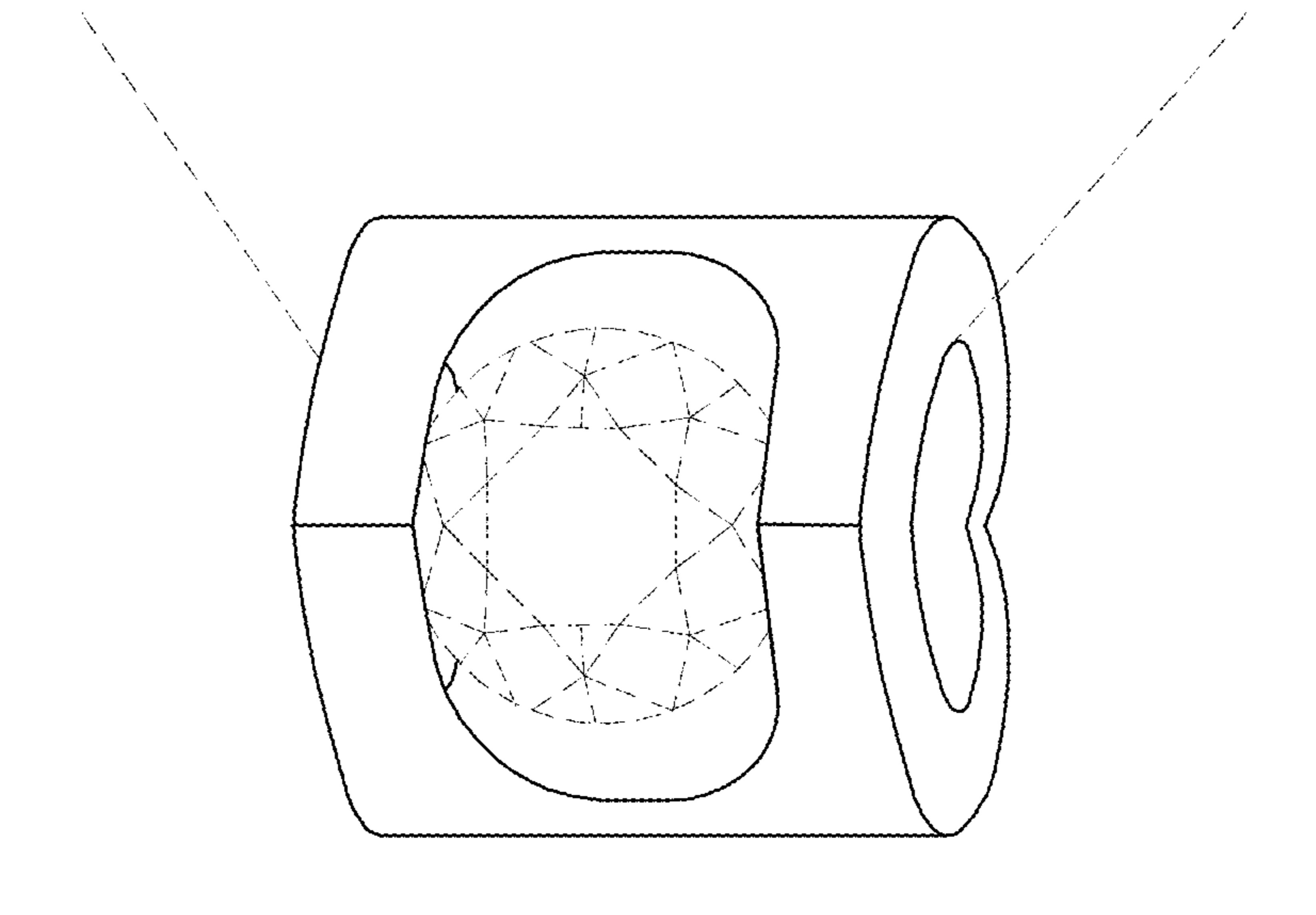
(57) **CLAIM**

The ornamental design for gemstone jewelry setting, as shown and described.

**DESCRIPTION**

FIG. 1 is a perspective view of a gemstone jewelry setting showing my new design;  
FIG. 2 is a right side elevation view thereof, shown in an environment of use, the left side view being a mirror image;  
FIG. 3 is another perspective view thereof, shown in an environment of use;  
FIG. 4 is a front elevation view thereof, shown in an environment of use, the rear elevation view being a mirror image;  
FIG. 5 is another perspective view of the gemstone jewelry setting shown in an alternative environment of use; and,  
FIG. 6 is a rear perspective view of the gemstone jewelry setting.  
The broken lines shown in the drawings illustrate environmental structure that forms no part of the claimed design.

**1 Claim, 6 Drawing Sheets**



(56)

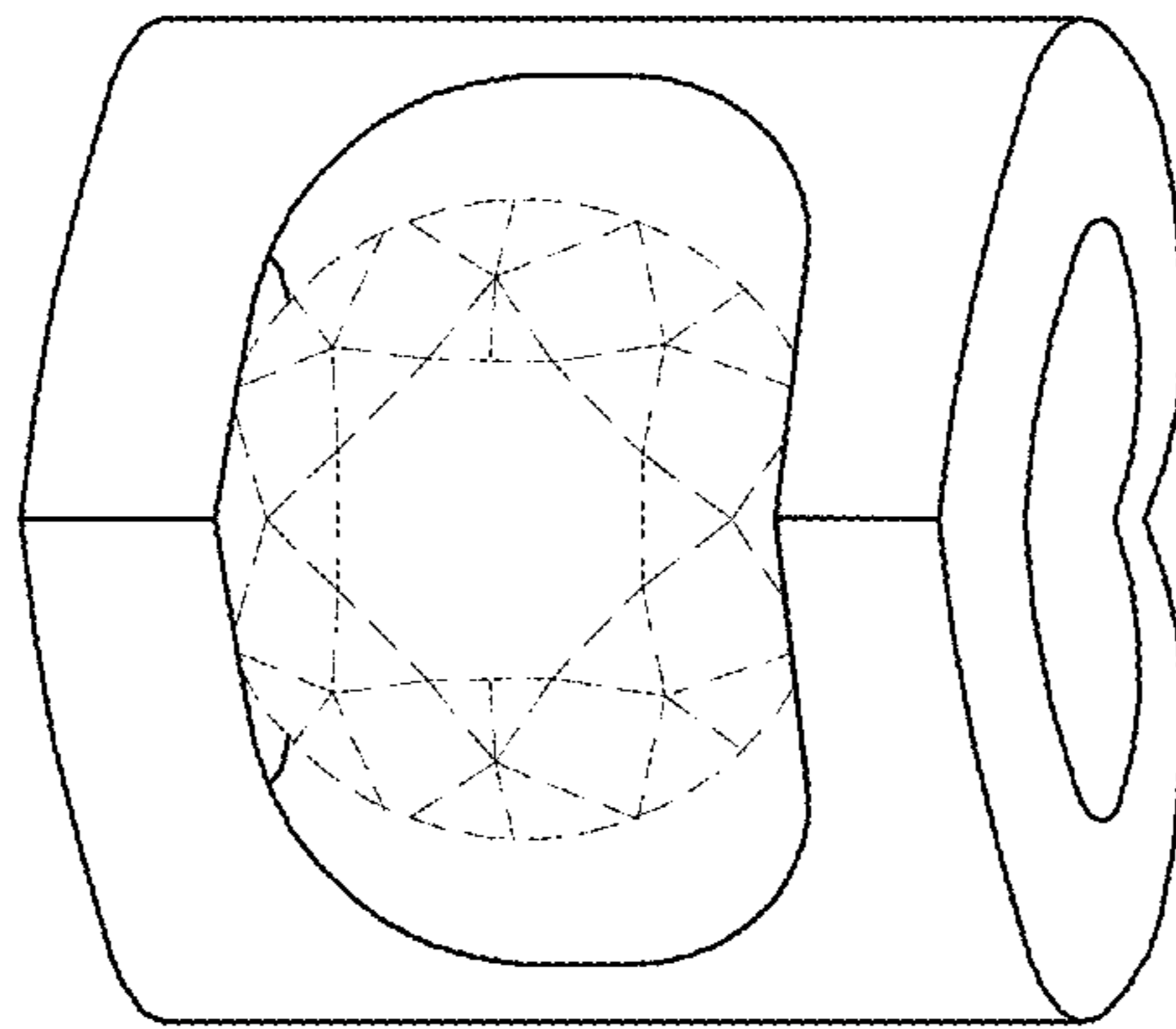
**References Cited**

OTHER PUBLICATIONS

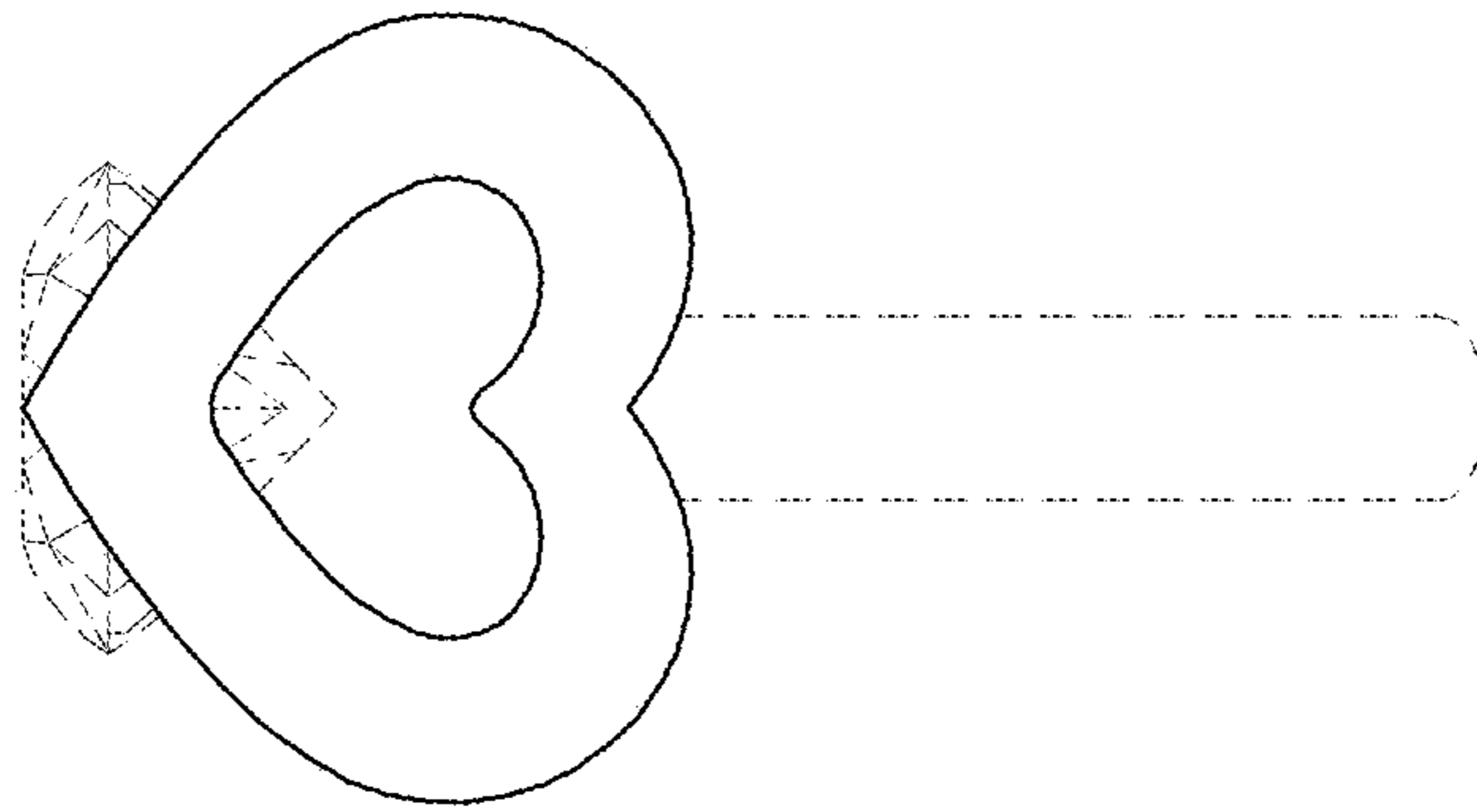
Nickel Plating Heart Cord Ends (available online) Retrieved from the internet Feb. 13, 2018, retrieved from URL: [https://www.alibaba.com/product-detail/Nickel-plating-heart-cord-ends-heart\\_60372967115.html](https://www.alibaba.com/product-detail/Nickel-plating-heart-cord-ends-heart_60372967115.html).\*

Heart shaped slide (available online) Retrieved from the internet Feb. 13, 2018, retrieved from URL: [https://www.etsy.com/listing/565347803/victorian-14k-heart-shaped-slide?ga\\_order=most\\_relevant&ga\\_search\\_type=all&ga\\_view\\_type=gallery&ga\\_search\\_query=heart%20slide%20chain&ref=sr\\_galler%E2%80%A6](https://www.etsy.com/listing/565347803/victorian-14k-heart-shaped-slide?ga_order=most_relevant&ga_search_type=all&ga_view_type=gallery&ga_search_query=heart%20slide%20chain&ref=sr_galler%E2%80%A6).\*

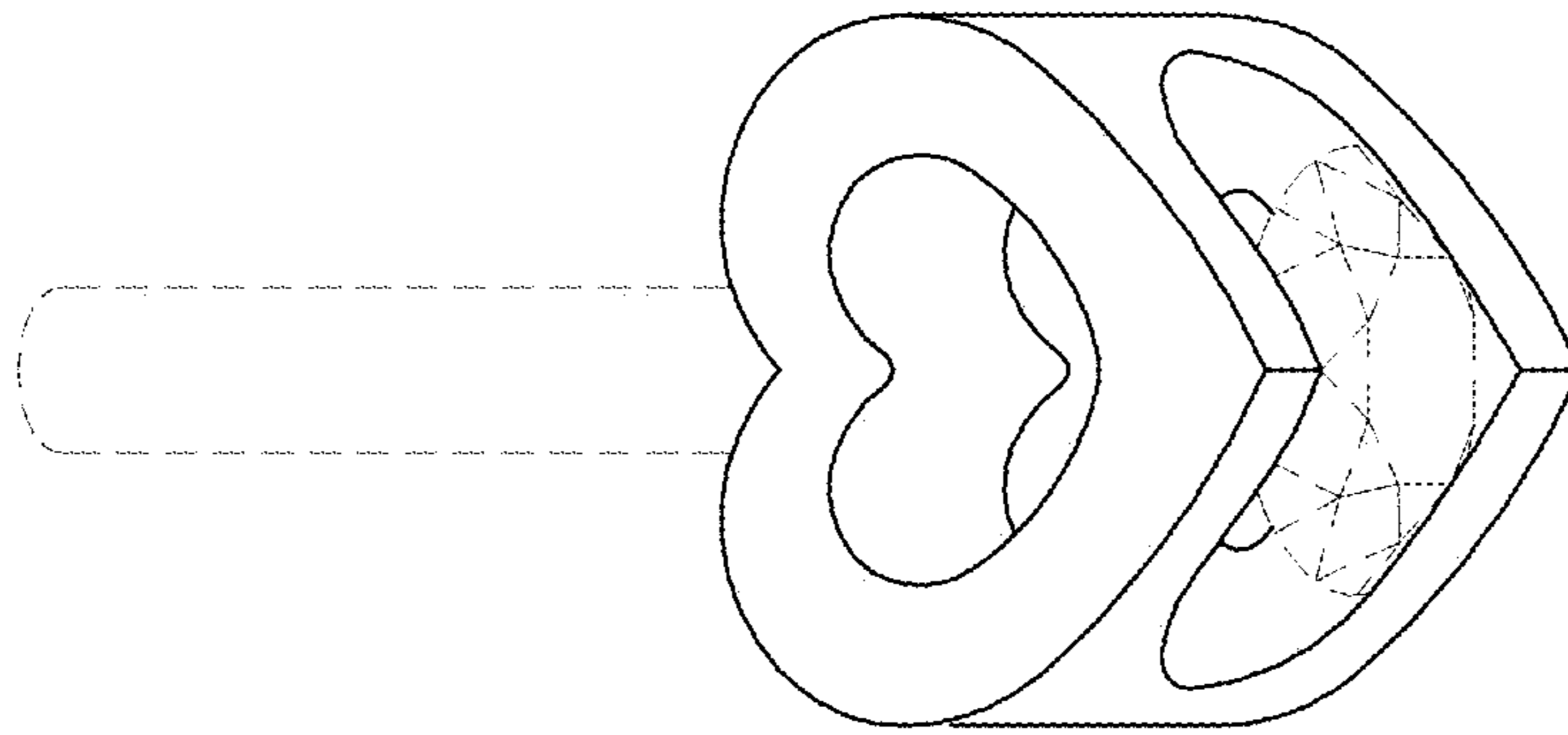
\* cited by examiner



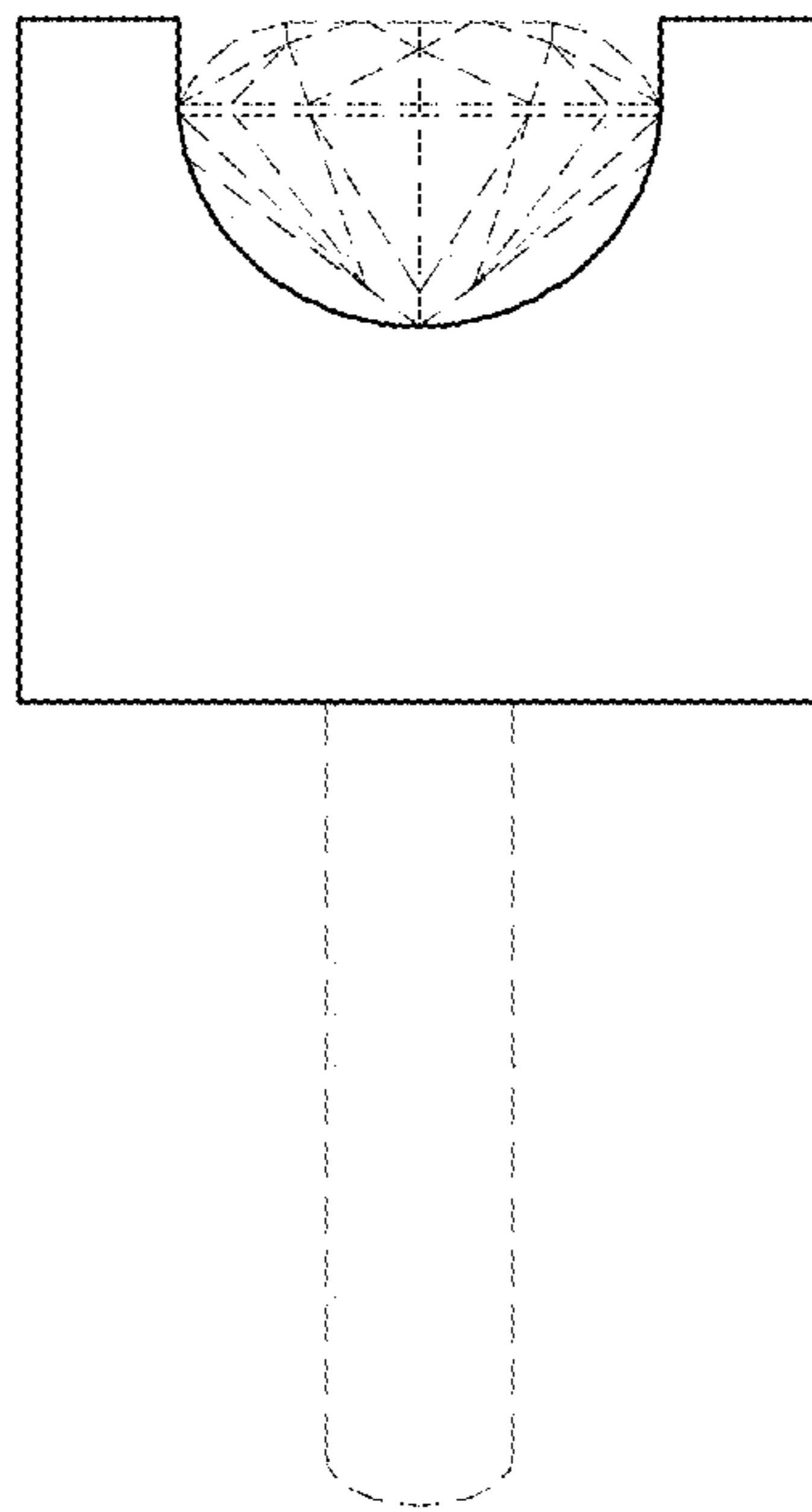
*FIG. 1*



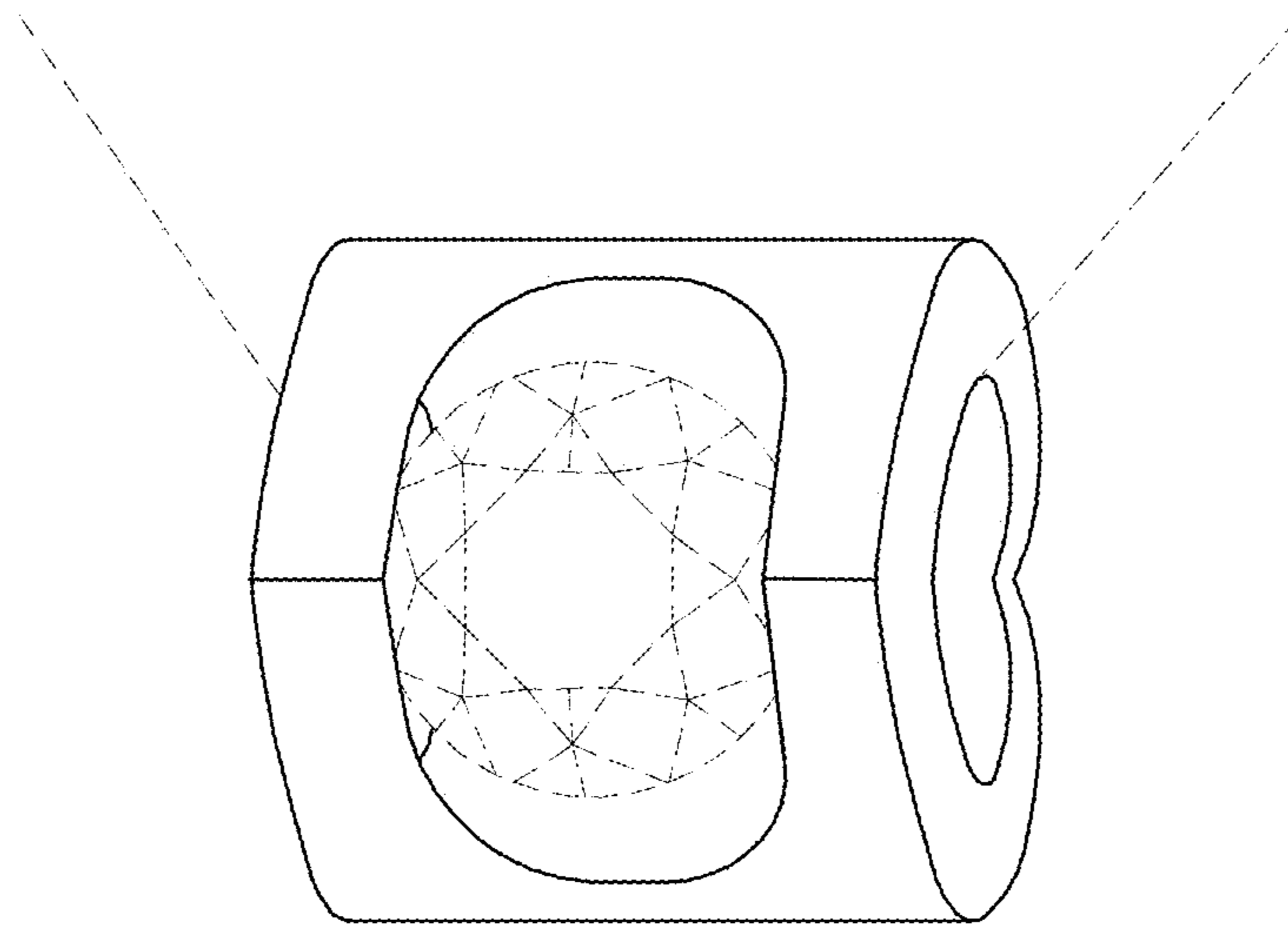
*FIG. 2*



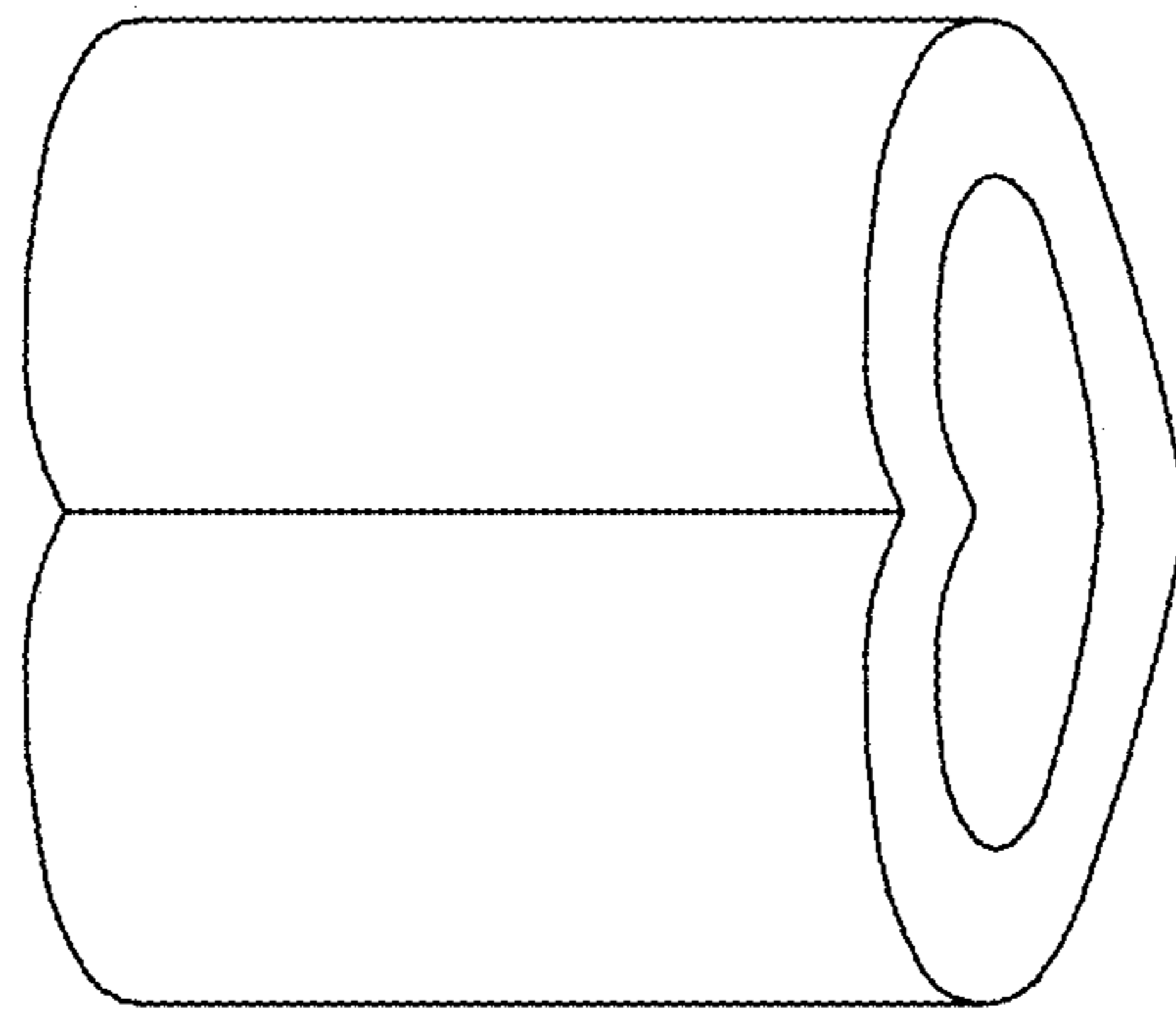
*FIG. 3*



*FIG. 4*



*FIG. 5*



*FIG. 6*