



US00D831521S

(12) **United States Design Patent**
Hodge et al.

(10) **Patent No.:** **US D831,521 S**

(45) **Date of Patent:** **** Oct. 23, 2018**

(54) **FITNESS WATCH STRAP**

(71) Applicant: **TomTom International B.V.**,
Amsterdam (NL)

(72) Inventors: **Christopher John Hodge**, Windsor
(GB); **Jonathan Chan**, London (GB)

(73) Assignee: **TOMTOM INTERNATIONAL B.V.**,
Amsterdam (NL)

(**) Term: **15 Years**

(21) Appl. No.: **29/595,475**

(22) Filed: **Feb. 28, 2017**

(30) **Foreign Application Priority Data**

Aug. 31, 2016 (EM) 003359520

(51) **LOC (11) Cl.** **11-01**

(52) **U.S. Cl.**
USPC **D11/3**

(58) **Field of Classification Search**

USPC D11/1-13, 86, 93, 94; D10/30-32, 38,
D10/40, 68, 70, 98; D14/344; D3/201,
D3/214, 215

CPC A44C 11/00; A44C 11/002; A44C 11/005;
A44C 11/007; A44C 5/00; A44C 5/0053;
A44C 5/0061; A44C 5/0069; A44C
5/0076; A44C 5/02; A44C 5/022; A44C
5/025; A44C 5/027; A44C 5/08; A44C
5/10; A44C 5/102; A44C 5/105; A44C
5/107; A44C 13/00; G06F 1/163; G09F
3/005

See application file for complete search history.

(56) **References Cited**

U.S. PATENT DOCUMENTS

D254,964 S * 5/1980 Hofman D11/3
4,386,795 A * 6/1983 Charles G09F 3/005
283/75

D285,422 S * 9/1986 Grimes D10/32
D336,866 S * 6/1993 Tasou D11/12
D596,610 S * 7/2009 Hou D10/32
D637,094 S * 5/2011 Cobbett D10/32
D637,918 S * 5/2011 Cobbett D10/31
D645,360 S * 9/2011 Kiser D10/32
D672,255 S * 12/2012 Zanella D10/32
D709,873 S * 7/2014 Aumiller D14/344
D710,236 S * 8/2014 Lee D11/4
D718,171 S * 11/2014 Fakesch D11/3
D729,651 S * 5/2015 Nuovo D10/32
D732,022 S * 6/2015 Song D14/344
D736,652 S * 8/2015 Isaacs D10/32
D740,693 S * 10/2015 Carmichael D10/32
D750,622 S * 3/2016 Chen D10/38
D756,832 S * 5/2016 Riddiford D11/3
D758,234 S * 6/2016 Riddiford D11/3
D759,622 S * 6/2016 Dahlberg D10/32
D762,210 S * 7/2016 Lee D14/344
D771,038 S * 11/2016 Akana D14/344

(Continued)

Primary Examiner — Cynthia Ramirez

Assistant Examiner — L. Martinez-Rivera

(57) **CLAIM**

The ornamental design for a fitness watch strap, as shown and described.

DESCRIPTION

FIG. 1 is a top, front, right perspective view of a fitness watch strap according to the present design.

FIG. 2 is a top view of the fitness watch strap of FIG. 1.

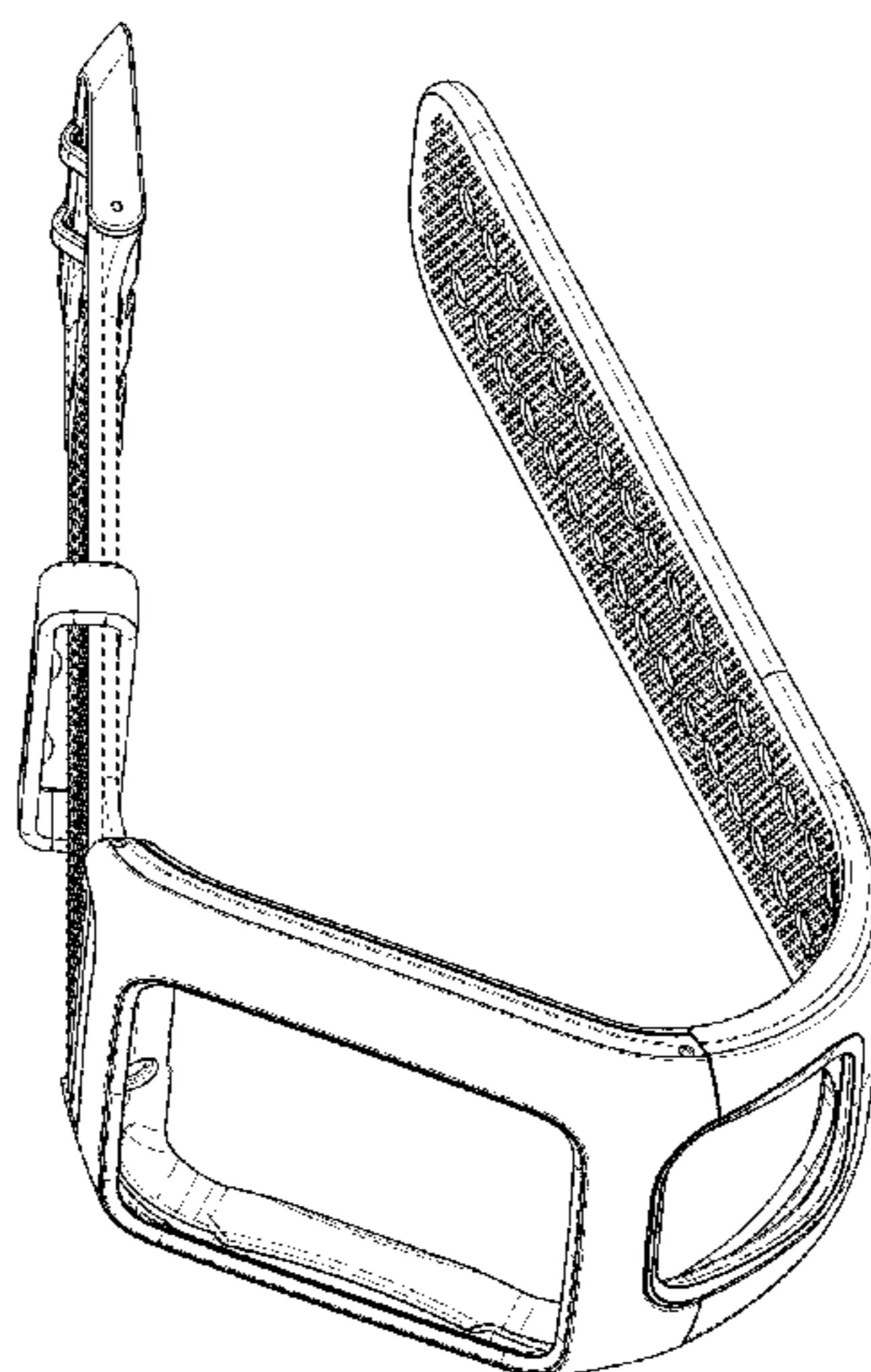
FIG. 3 is a bottom view of the fitness watch strap of FIG. 1.

FIG. 4 is a front view of the fitness watch strap of FIG. 1.

FIG. 5 is a side view of the fitness watch strap of FIG. 1; and,

FIG. 6 is an opposite side view of the fitness watch strap of FIG. 1.

1 Claim, 6 Drawing Sheets



(56)

References Cited

U.S. PATENT DOCUMENTS

9,501,044 B2 * 11/2016 Jackson G06F 1/163
D777,590 S * 1/2017 Nielsen D14/344
D780,602 S * 3/2017 Heleniak D10/38
D786,241 S * 5/2017 Chuang D14/344
D793,269 S * 8/2017 Magniez D11/3
D793,270 S * 8/2017 Riddiford D11/3
D795,120 S * 8/2017 Bayley D11/3
D795,731 S * 8/2017 Bayley D11/3
D799,990 S * 10/2017 Behling D10/38
D800,109 S * 10/2017 Rouillac D14/344
D803,831 S * 11/2017 Kim D14/344
2012/0168471 A1 * 7/2012 Wilson A45F 5/00
224/152
2014/0083133 A1 * 3/2014 Lee A44C 5/14
63/3.1
2015/0105671 A1 * 4/2015 Shibuya A61B 5/02427
600/479
2016/0026156 A1 * 1/2016 Jackson G06F 1/163
368/14
2016/0091921 A1 * 3/2016 Lee G06F 1/163
250/372
2016/0120048 A1 * 4/2016 Seo G06F 1/163
600/301
2016/0220865 A1 * 8/2016 Seo G06F 1/163
2016/0299571 A1 * 10/2016 Watorowski G06F 1/163

* cited by examiner

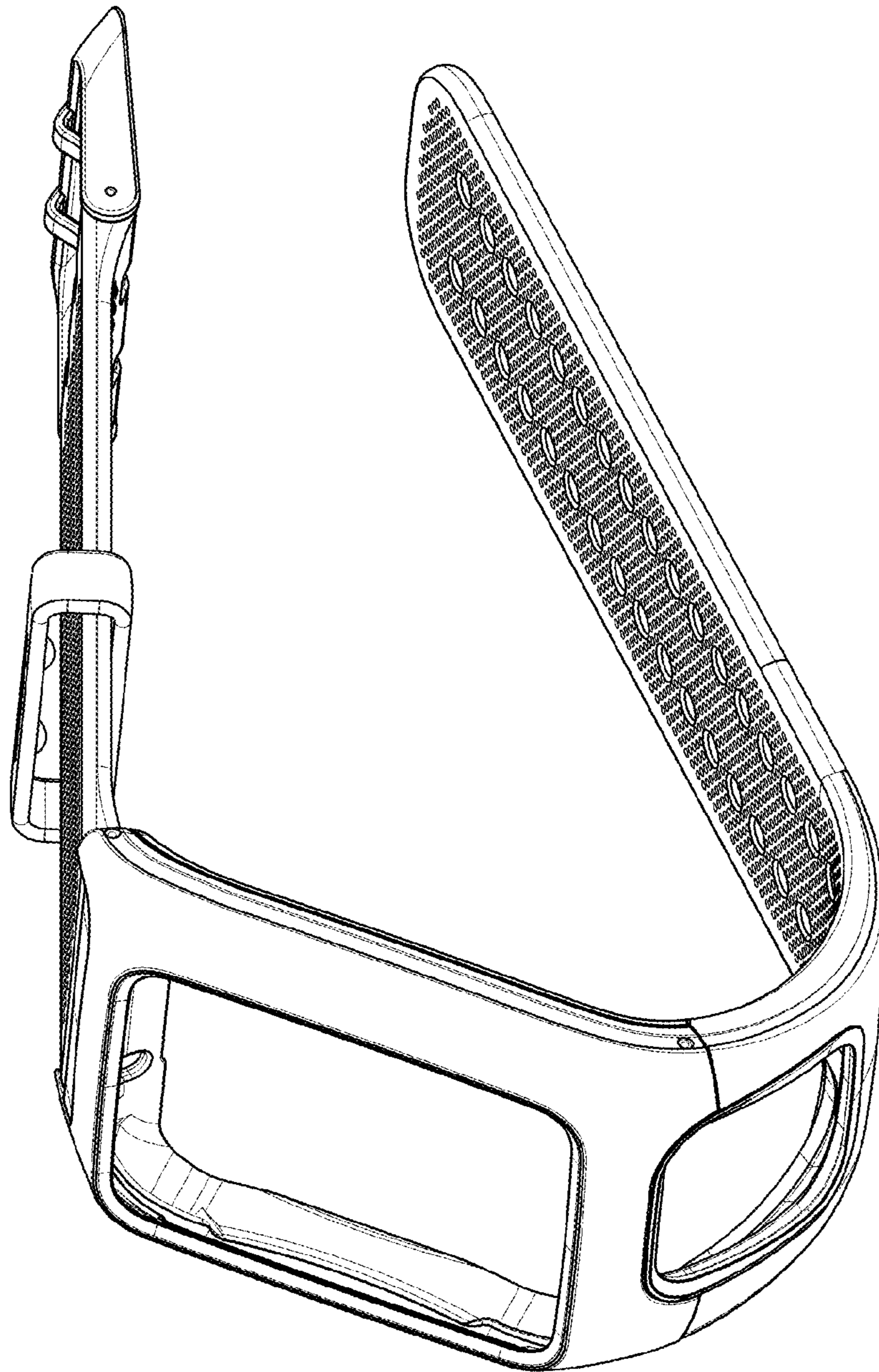


FIG. 1

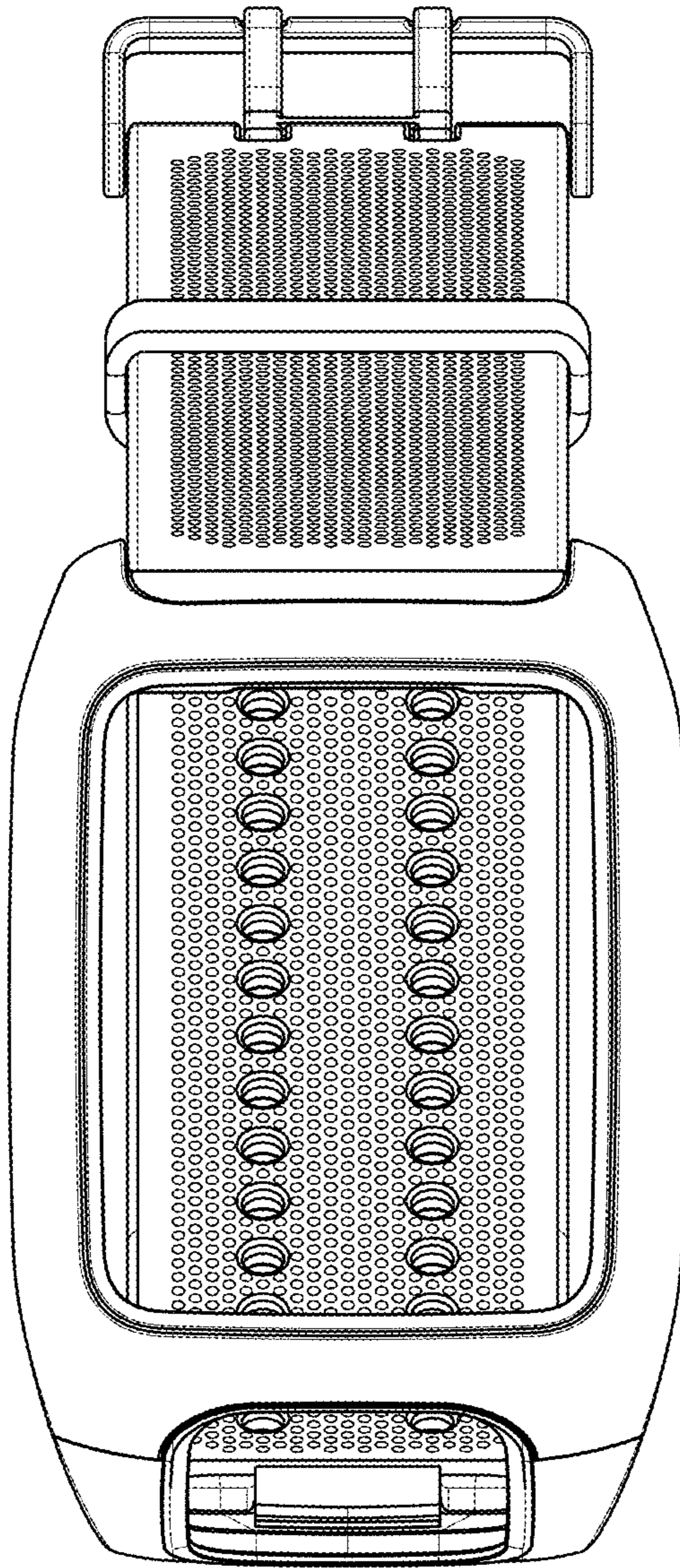


FIG. 2

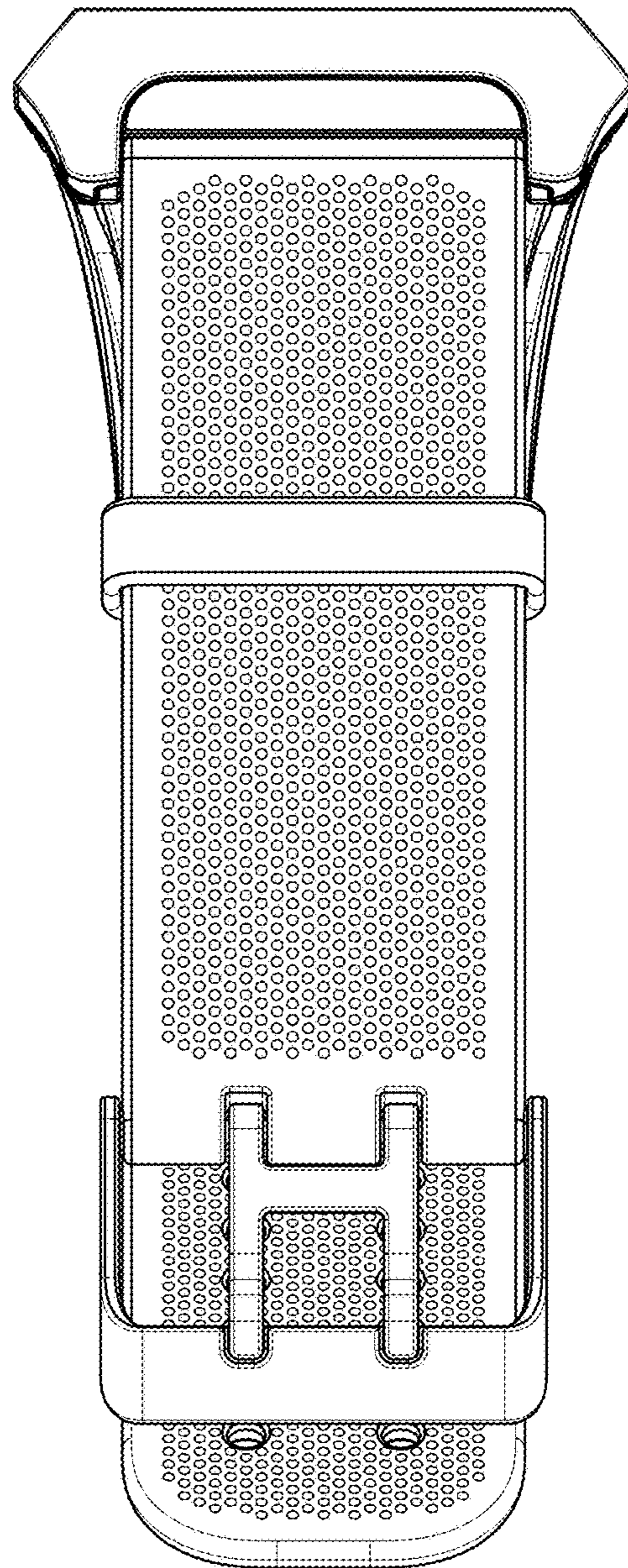


FIG. 3

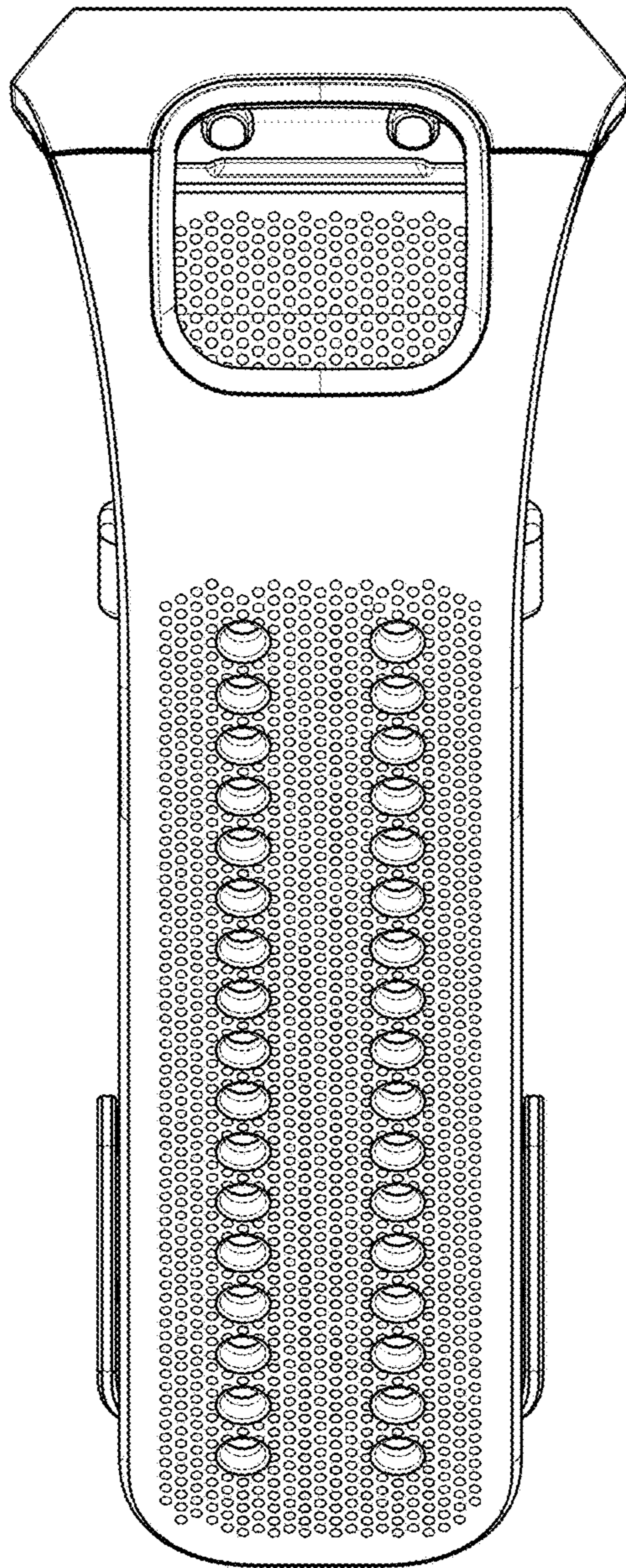


FIG. 4

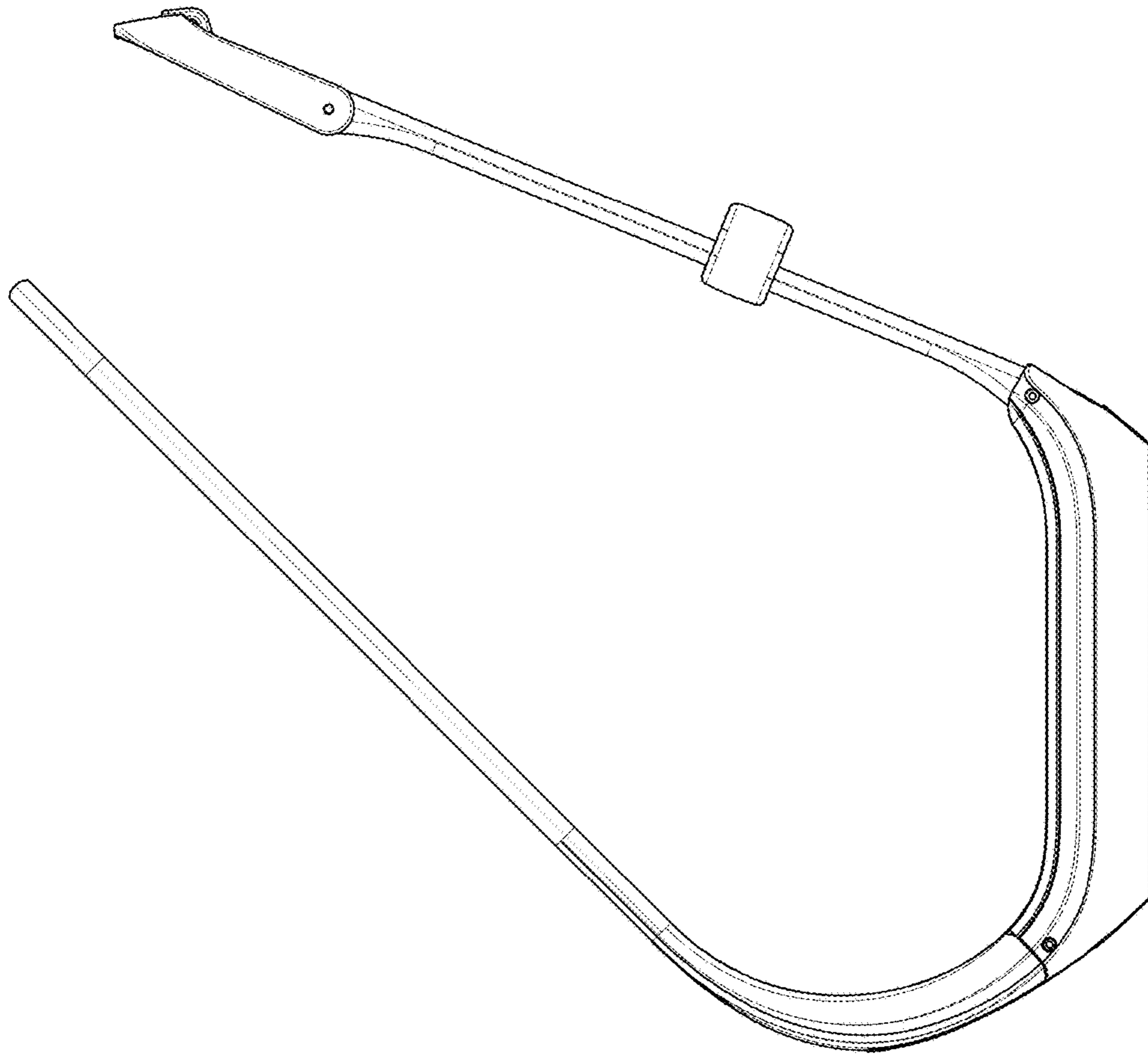


FIG. 5

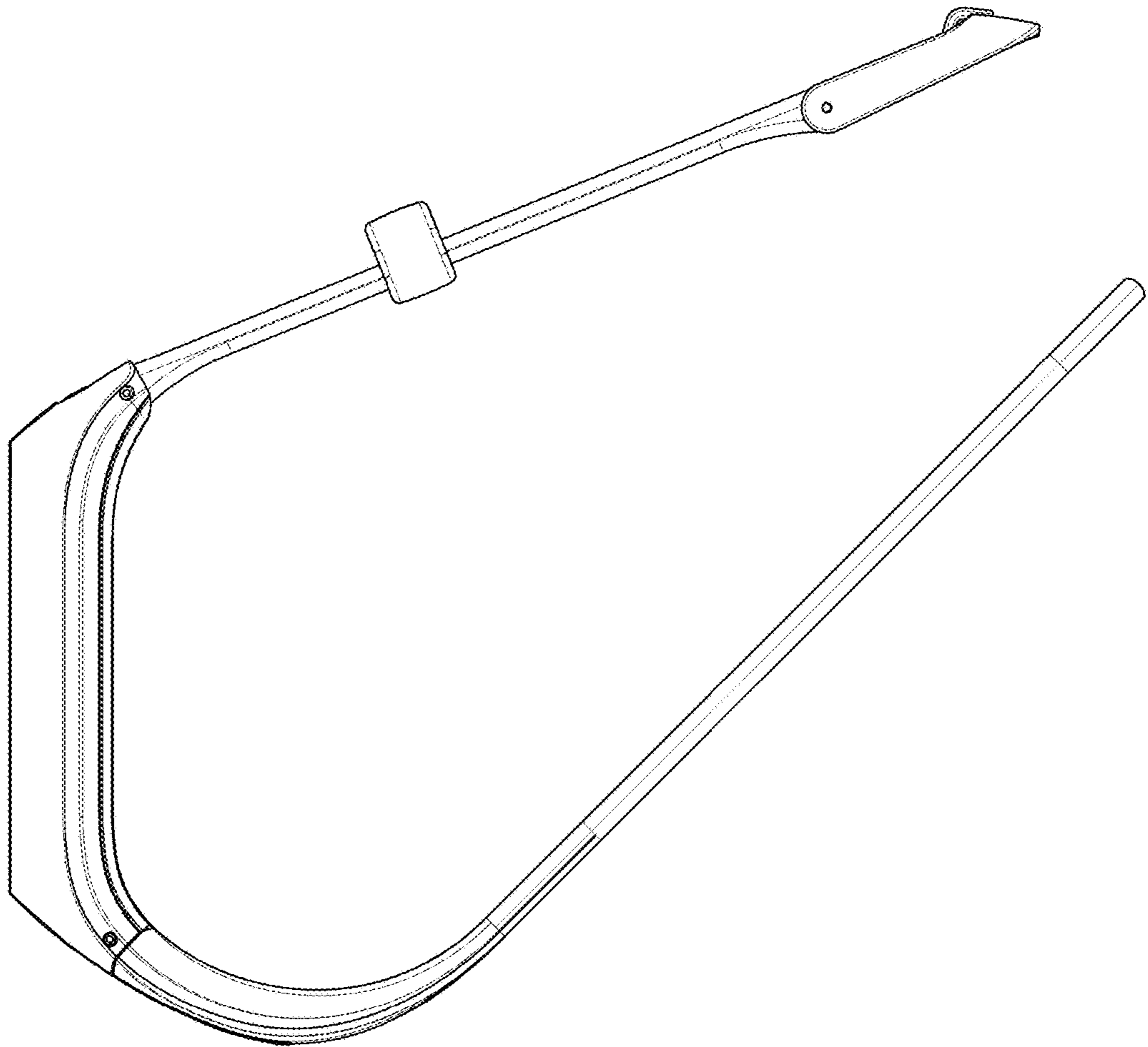


FIG. 6