



US00D831516S

(12) **United States Design Patent**
Cobb et al.

(10) **Patent No.:** **US D831,516 S**
(45) **Date of Patent:** **** Oct. 23, 2018**

- (54) **MEASURING WHEEL**
- (71) Applicant: **APEX BRANDS, INC.**, Apex, NC
(US)
- (72) Inventors: **Ian Michael Cobb**, Wixom, MI (US);
David Jonathan Byron, Southfield, MI
(US)
- (73) Assignee: **APEX BRANDS, INC.**, Apex, NC
(US)
- (**) Term: **15 Years**
- (21) Appl. No.: **29/589,220**
- (22) Filed: **Dec. 29, 2016**
- (51) **LOC (11) Cl.** **10-04**
- (52) **U.S. Cl.**
USPC **D10/74**
- (58) **Field of Classification Search**
USPC D10/70, 74
CPC G01B 3/12
See application file for complete search history.

- D491,081 S * 6/2004 Olson D10/70
- D498,153 S * 11/2004 Stevermer D10/70
- D499,033 S * 11/2004 Stevermer D10/70
- D500,692 S * 1/2005 Olson D10/70
- D538,686 S * 3/2007 McGinn D10/70
- D571,238 S * 6/2008 Stervermer D10/70
- 8,522,448 B2 * 9/2013 Lai G01B 3/12
33/772
- D726,040 S * 4/2015 Wojciechowski D10/70
- D726,041 S * 4/2015 Wojciechowski D10/70

* cited by examiner

Primary Examiner — Antoine D Davis
(74) *Attorney, Agent, or Firm* — McNair Law Firm, P.A.

(57) **CLAIM**

The ornamental design for a measuring wheel, as shown and described.

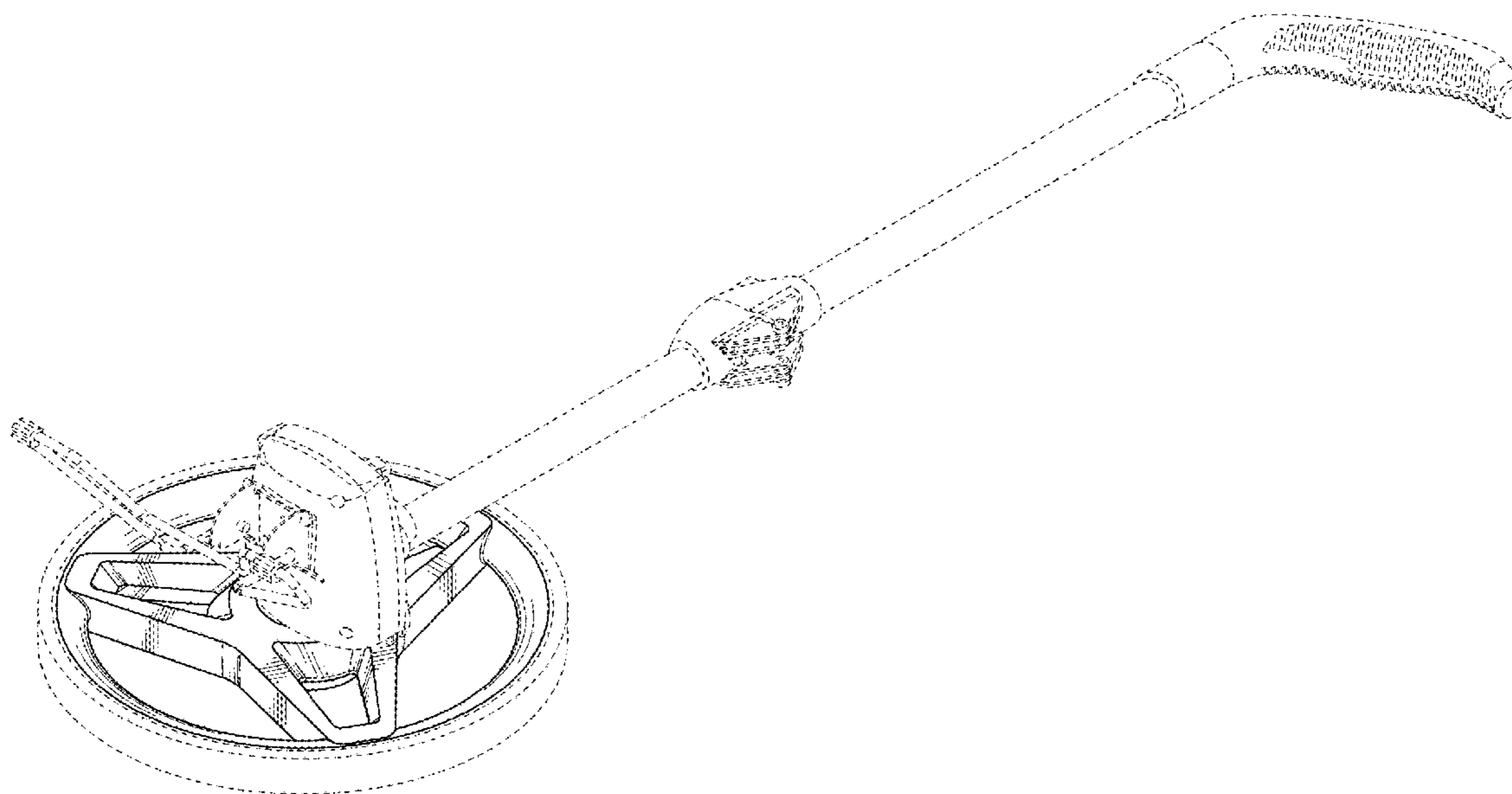
DESCRIPTION

FIG. 1 is a perspective view of a measuring wheel with blade extended in accordance with a first embodiment of the present invention;
FIG. 2 is a bottom view of the measuring wheel of FIG. 1;
FIG. 3 is a top view of the measuring wheel of FIG. 1;
FIG. 4 is a front view of the measuring wheel of FIG. 1;
FIG. 5 is a rear view of the measuring wheel of FIG. 1;
FIG. 6 is a left side view of the measuring wheel of FIG. 1;
and,
FIG. 7 is a right side view of the measuring wheel of FIG. 1.

The broken lines of FIGS. 1-7 are illustrative of the visible environmental structure of the measuring wheel and form no part of the claimed design.

1 Claim, 6 Drawing Sheets

- (56) **References Cited**
U.S. PATENT DOCUMENTS
- 3,922,793 A * 12/1975 Gandrud G01B 3/12
33/781
- D383,399 S * 9/1997 Cragie D10/70
- D437,796 S * 2/2001 Risi D10/70
- D458,162 S * 6/2002 Wightman D10/70
- D467,189 S * 12/2002 Stoneberg D10/70
- D486,406 S * 2/2004 Critelli D10/70



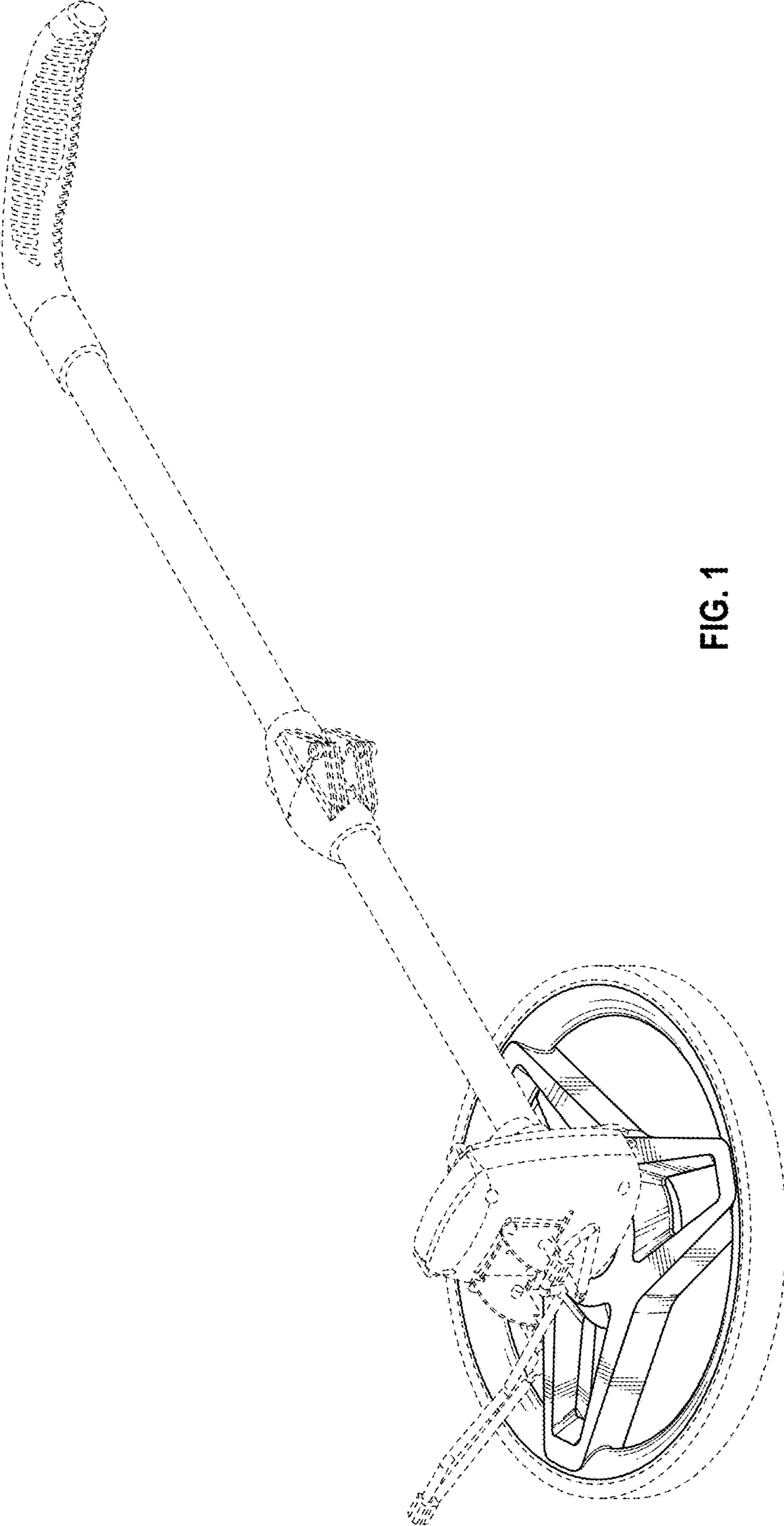


FIG. 1

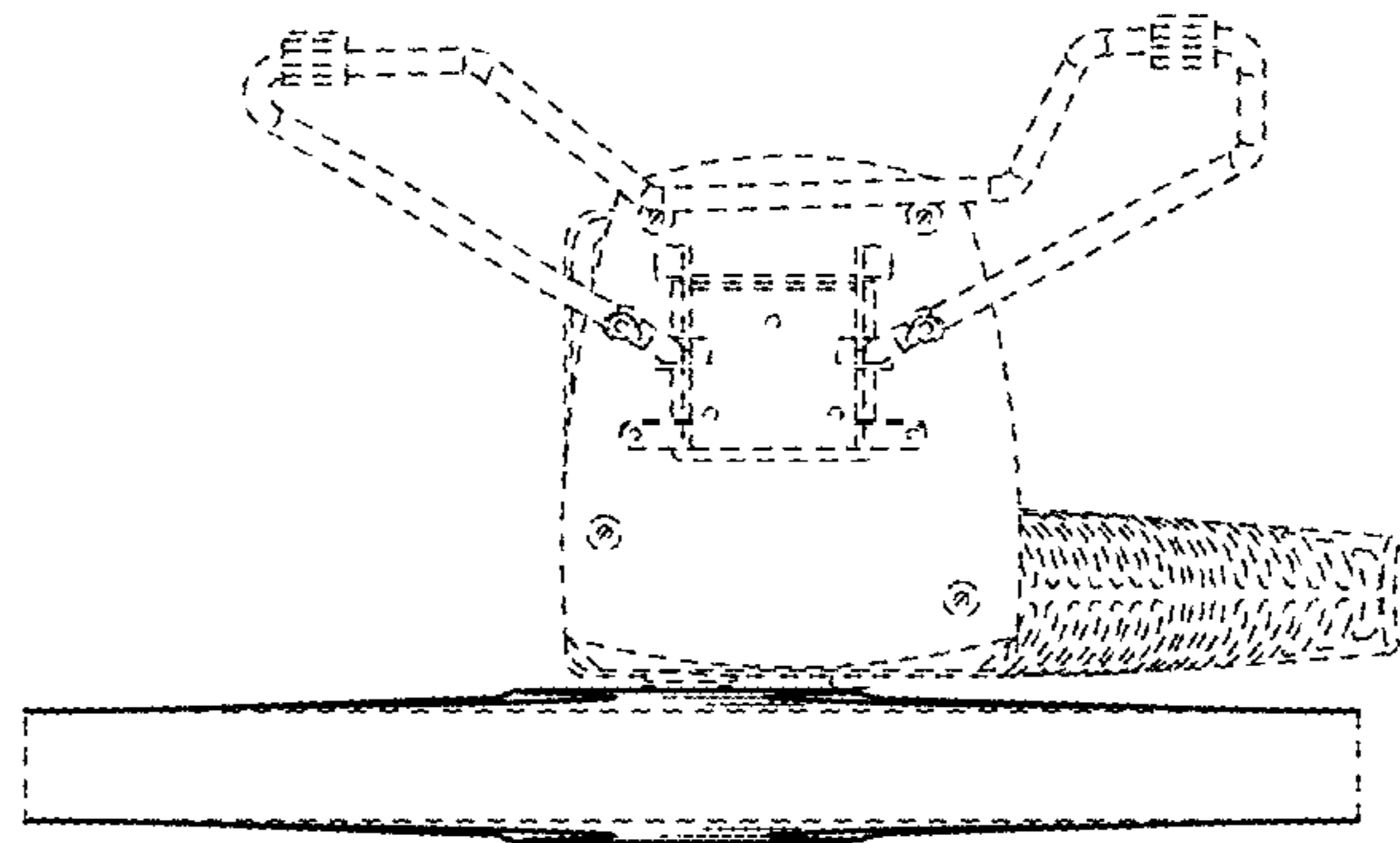


FIG. 2

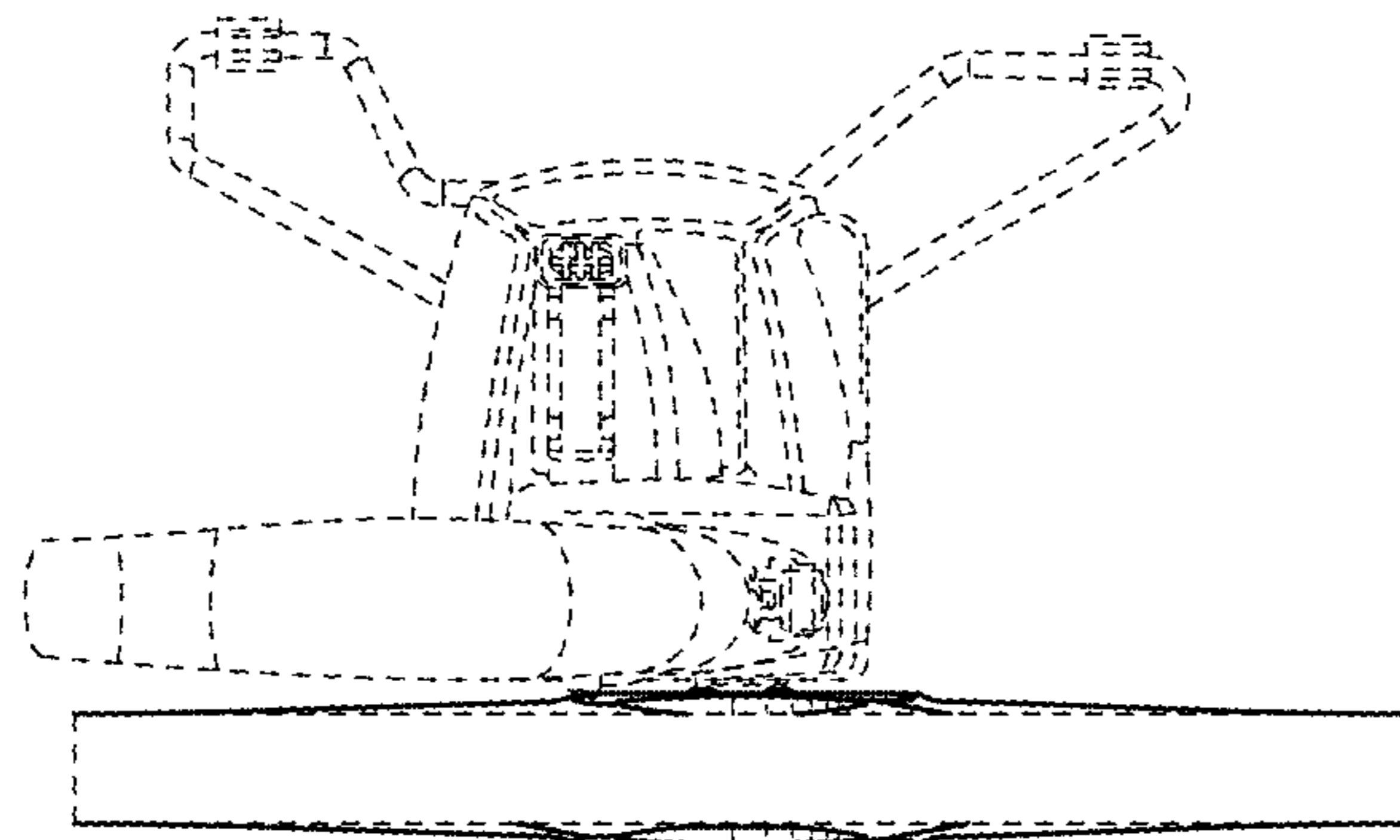


FIG. 3

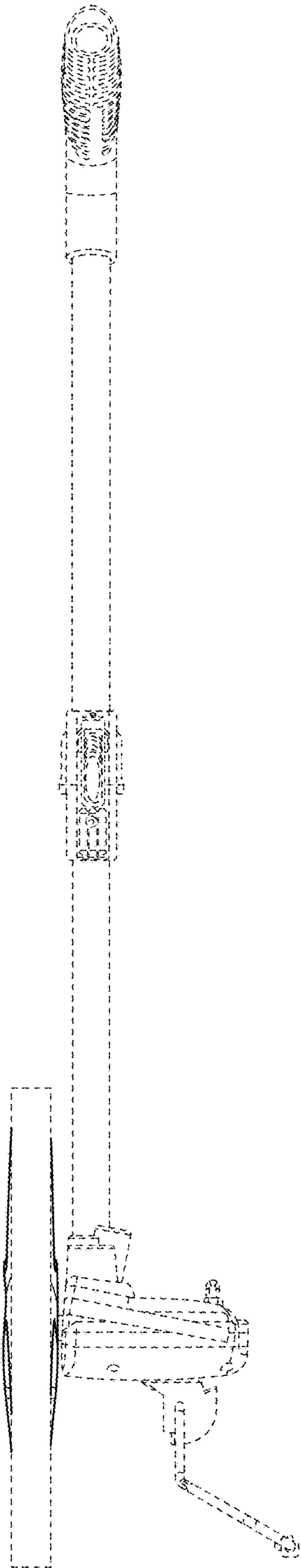


FIG. 4

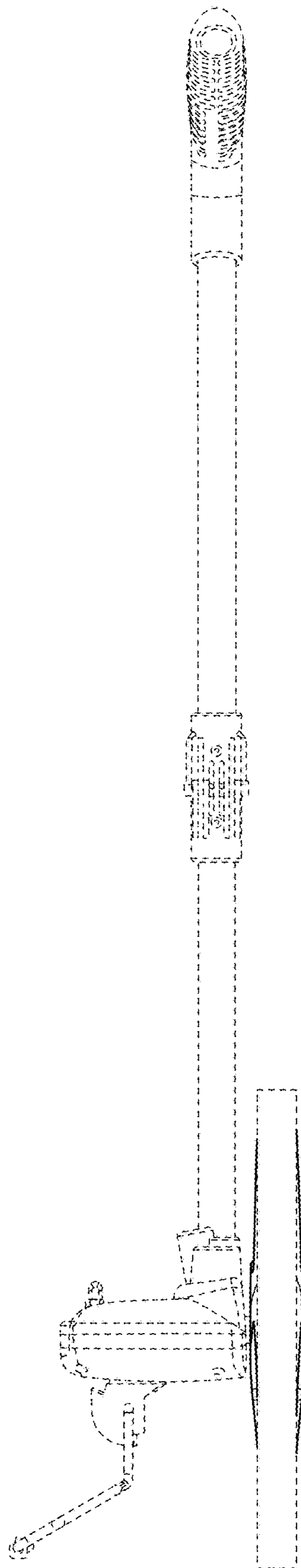


FIG. 5

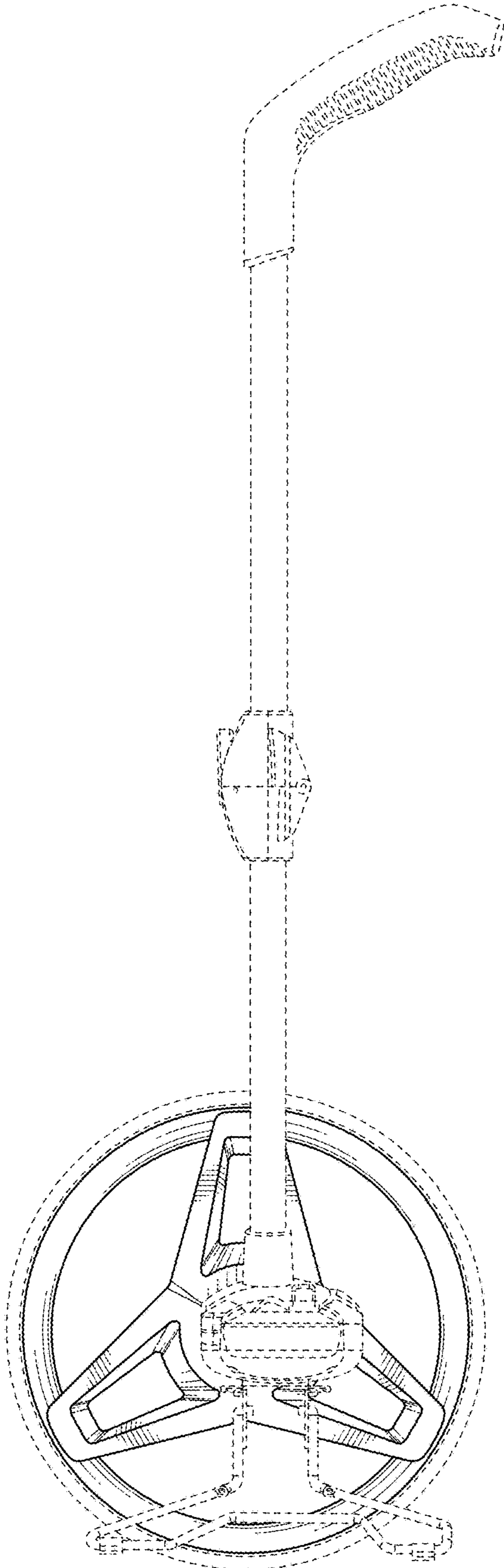


FIG. 6

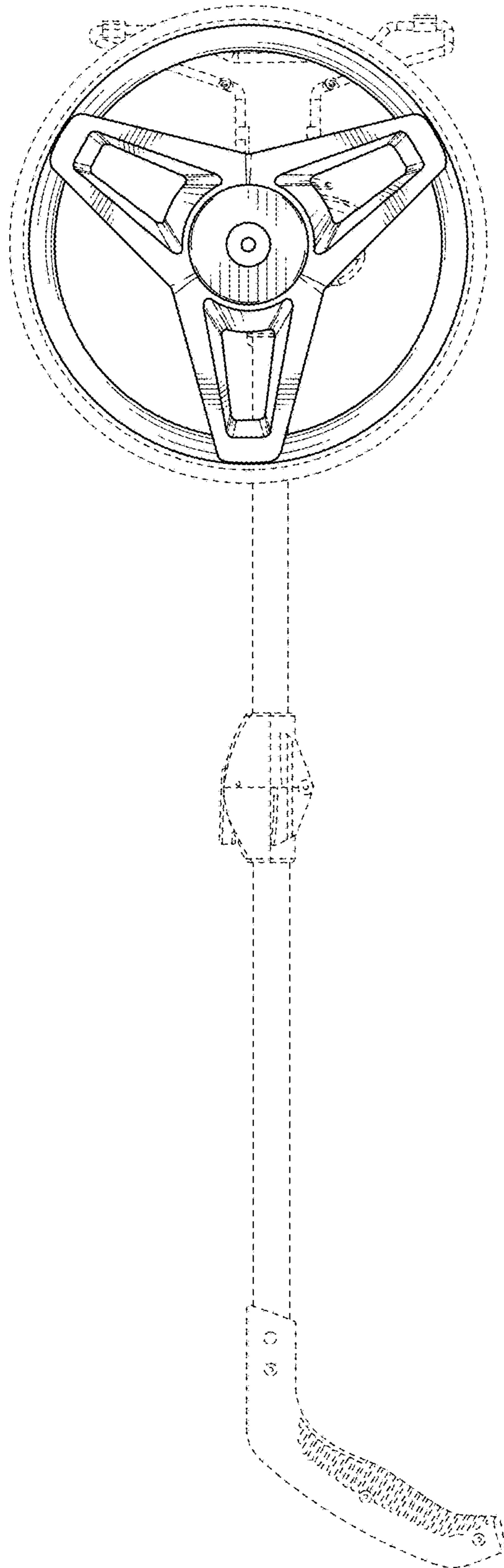


FIG. 7