



US00D831513S

(12) **United States Design Patent** (10) **Patent No.:** **US D831,513 S**  
**Alla** (45) **Date of Patent:** **\*\* Oct. 23, 2018**

(54) **THERMOMETER CLIP**

(71) Applicant: **Alla France**, Chemille Melay (FR)

(72) Inventor: **Jean-Marc Alla**, Chanzeaux (FR)

(73) Assignee: **Alla France**, Chemille Melay (FR)

(\*\*) Term: **15 Years**

(21) Appl. No.: **29/603,337**

(22) Filed: **May 9, 2017**

(30) **Foreign Application Priority Data**

Nov. 15, 2016 (EM) ..... 001455232-00002

(51) **LOC (11) Cl.** ..... **10-04**

(52) **U.S. Cl.**  
USPC ..... **D10/60**

(58) **Field of Classification Search**  
USPC ..... D10/57, 60  
CPC G01K 1/00; G01K 1/02; G01K 1/024; G01K  
1/14; G01K 1/143; G01K 1/146; G01K  
13/02; G01K 13/002

See application file for complete search history.

(56) **References Cited**

U.S. PATENT DOCUMENTS

D795,095 S \* 8/2017 Alla ..... D10/57

\* cited by examiner

*Primary Examiner* — Antoine Duval Davis

(74) *Attorney, Agent, or Firm* — Locke Lord LLP

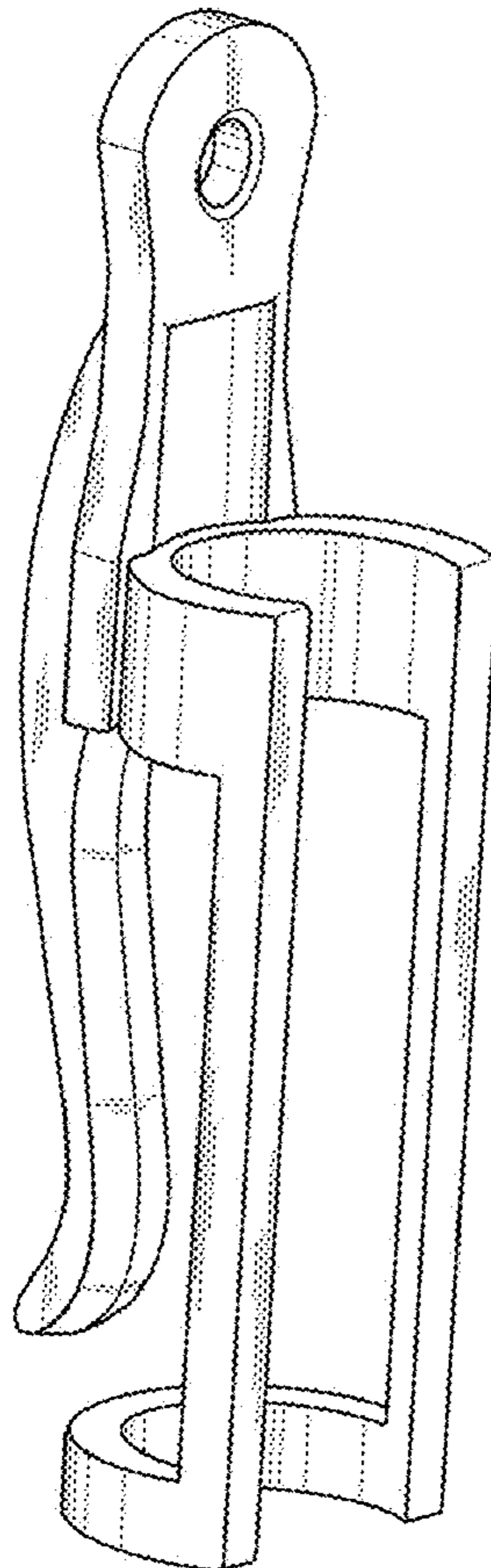
(57) **CLAIM**

The ornamental design for a thermometer clip, as shown and described.

**DESCRIPTION**

FIG. 1 is a perspective view of the thermometer clip.  
FIG. 2 is a front elevation view of the thermometer clip.  
FIG. 3 is a rear elevation view of the thermometer clip.  
FIG. 4 is a right elevation view of the thermometer clip, the left elevation view being a mirror image thereof.  
FIG. 5 is a bottom plan view of the thermometer clip; and,  
FIG. 6 is a top plan view of the thermometer clip.

**1 Claim, 2 Drawing Sheets**



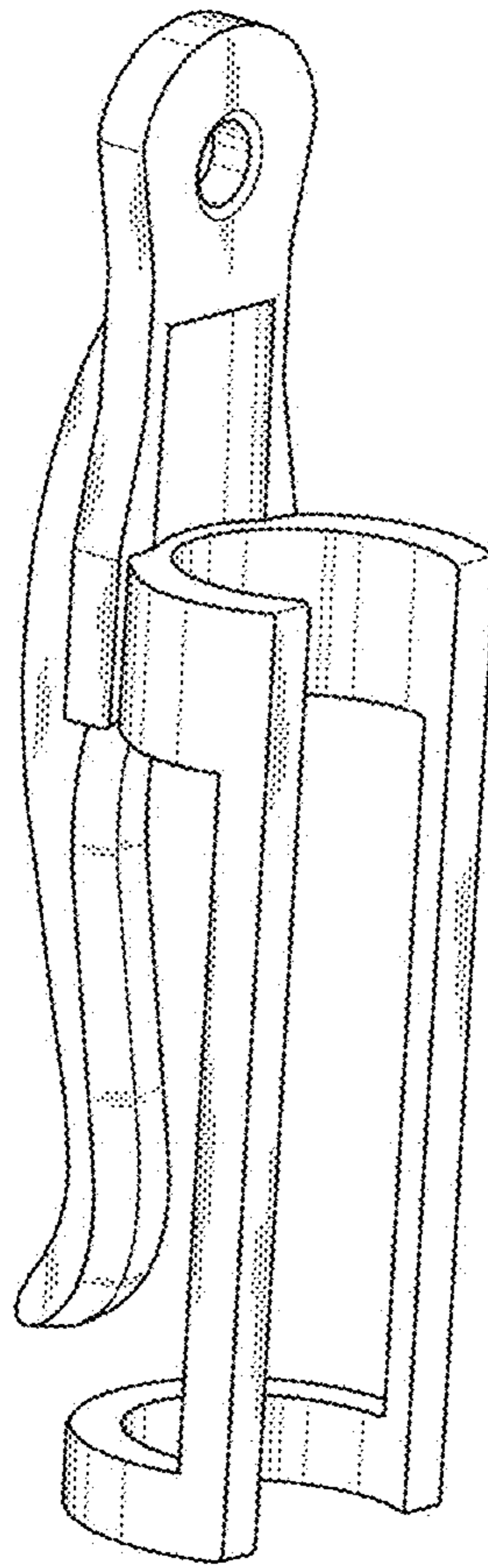


FIG. 1

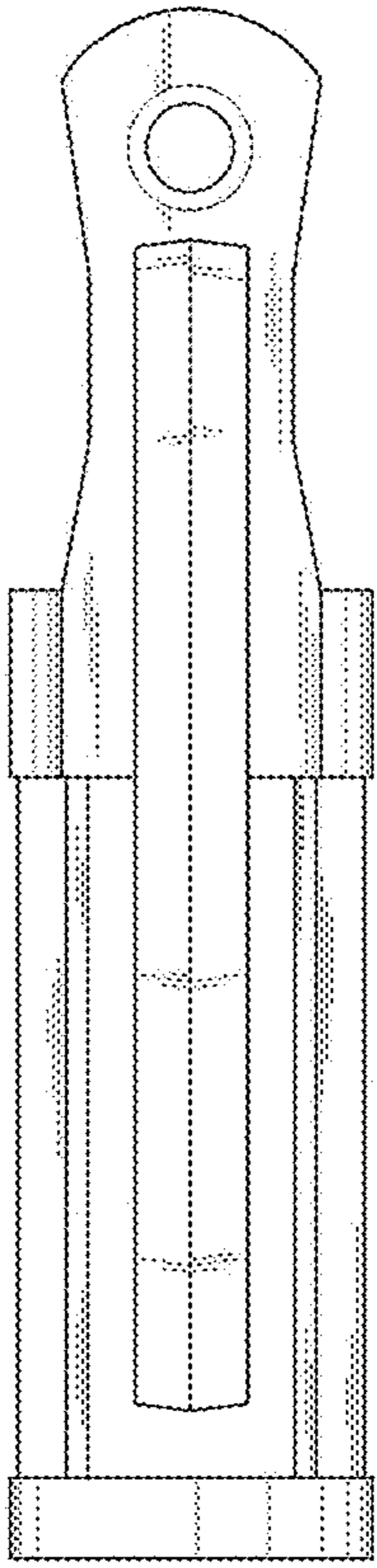


FIG. 2

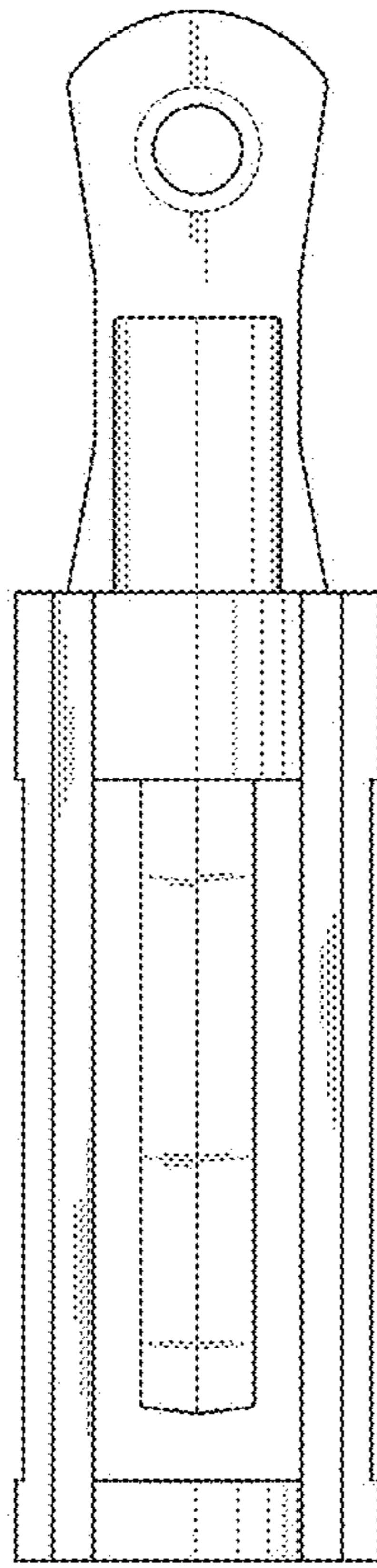


FIG. 3

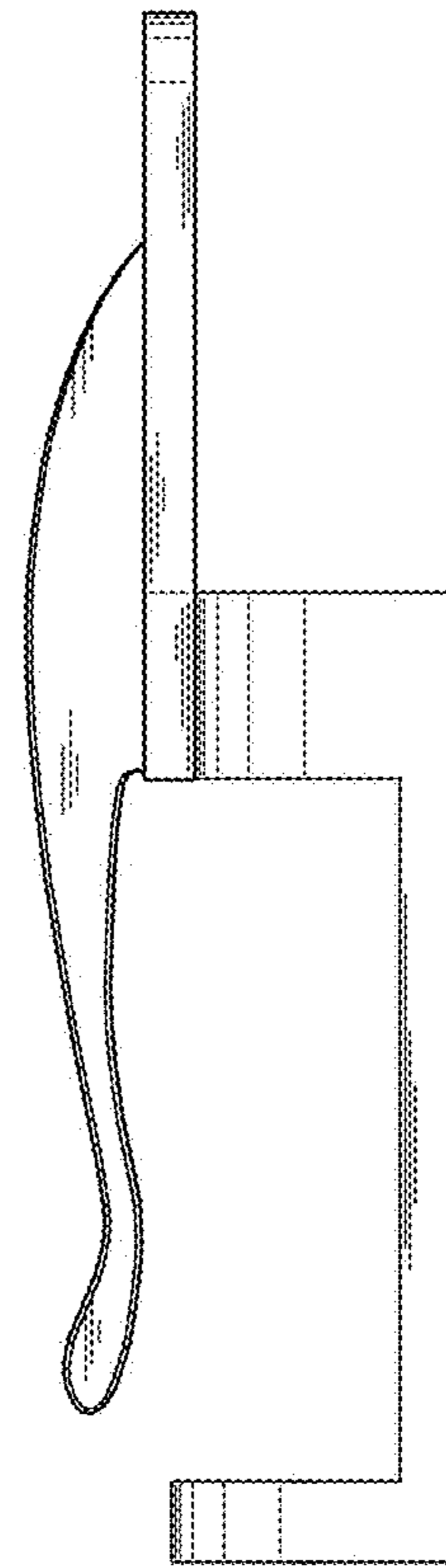


FIG. 4

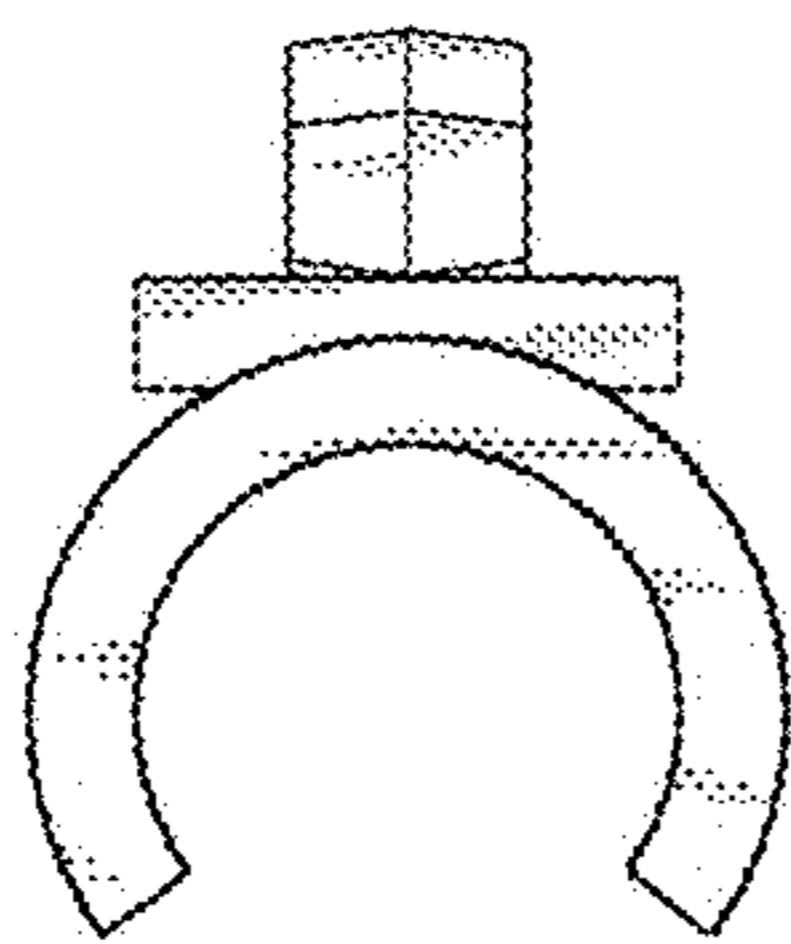


FIG. 5

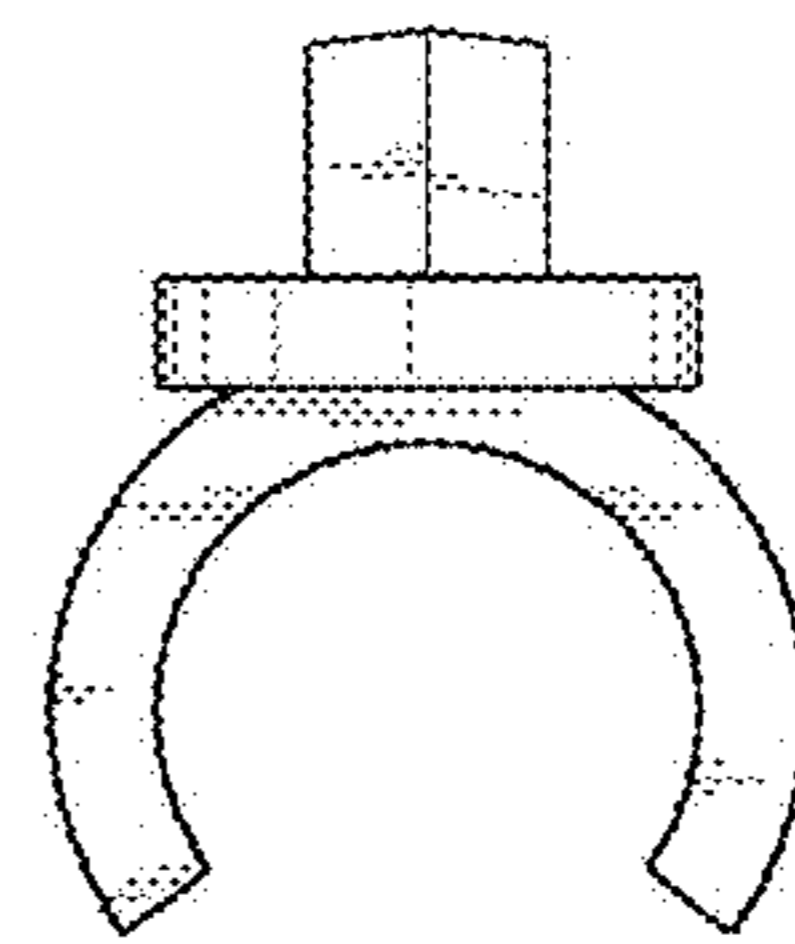


FIG. 6