



US00D831510S

(12) **United States Design Patent**
Yi et al.

(10) **Patent No.:** **US D831,510 S**
(45) **Date of Patent:** **** Oct. 23, 2018**

(54) **HUMIDITY DETECTOR FOR DIAPER**

2013/49079; A61F 2013/4908; A61F
2013/49082; A61F 2013/49084; A61F
2013/49085

(71) Applicant: **Dongguan Southstar Electronics Limited**, Dongguan (CN)

See application file for complete search history.

(72) Inventors: **Jun Yi**, Dongguan (CN); **Hongjun Yan**, Dongguan (CN); **Fangyi Cai**, Dongguan (CN); **Xuming Du**, Dongguan (CN); **Minghui Du**, Dongguan (CN)

(56) **References Cited**

U.S. PATENT DOCUMENTS

D423,955 S * 5/2000 Mohammed D10/56
8,915,899 B2 * 12/2014 Dieringer A61F 13/47218
604/385.24
9,889,048 B2 * 2/2018 Horle A61F 13/47245

* cited by examiner

(73) Assignee: **DONGGUAN SOUTHSTAR ELECTRONICS LIMITED**, Dongguan, Guangdong (CN)

Primary Examiner — Antoine Duval Davis

(**) Term: **15 Years**

(74) *Attorney, Agent, or Firm* — Leong C. Lei

(21) Appl. No.: **29/603,753**

(57) **CLAIM**

(22) Filed: **May 11, 2017**

The ornamental design for a humidity detector for diaper, as shown and described.

(51) **LOC (11) Cl.** **10-04**

(52) **U.S. Cl.**
USPC **D10/56**

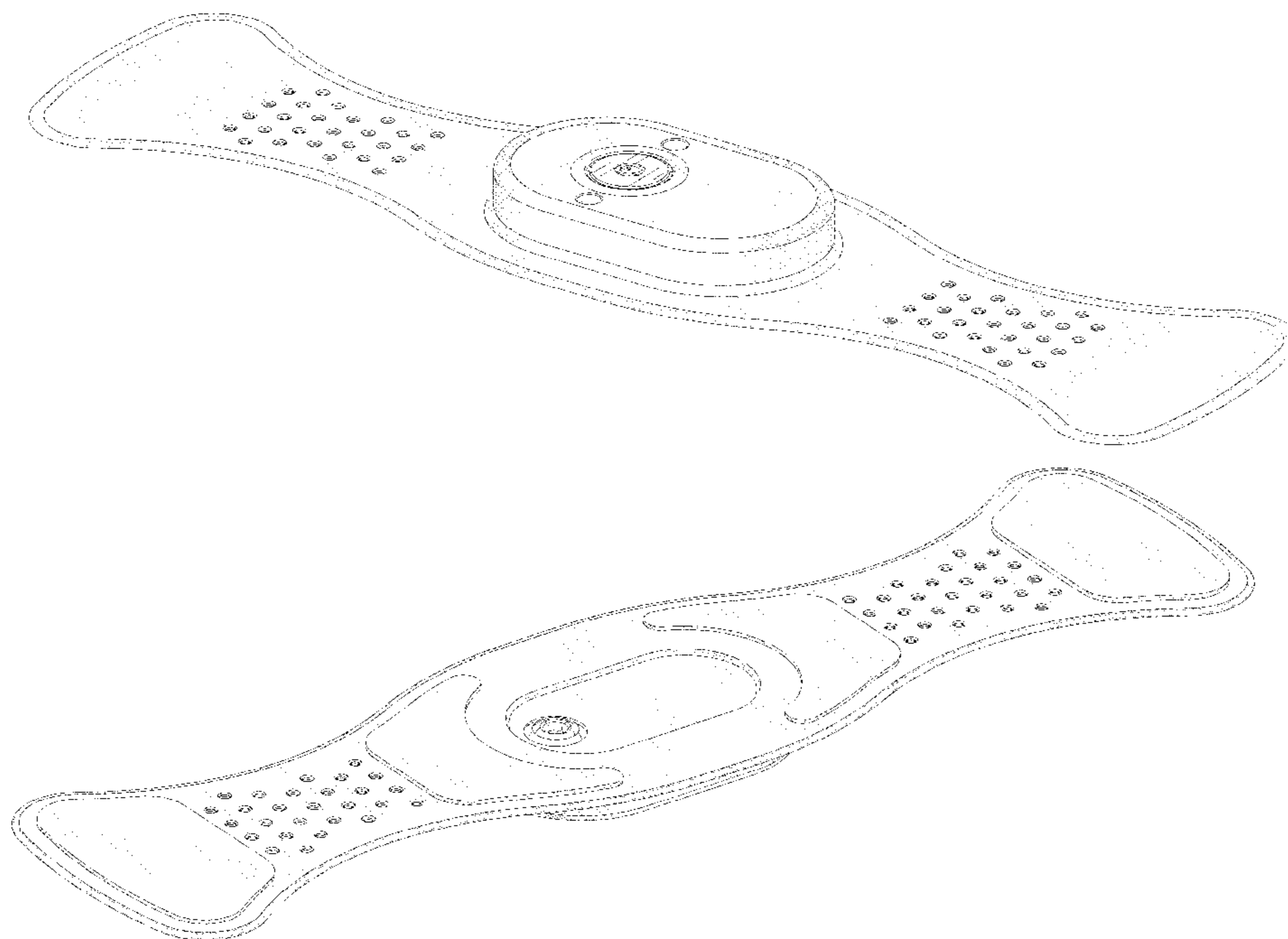
DESCRIPTION

(58) **Field of Classification Search**

USPC D10/56; D24/105, 124, 125, 126
CPC A61F 13/42; A61F 2013/421; A61F 2013/422; A61F 2013/423; A61F 2013/424; A61F 2013/425; A61F 2013/426; A61F 2013/427; A61F 2013/428; A61F 2013/429; A61F 13/45; A61F 13/47; A61F 2013/4708; A61F 13/49; A61F 2013/49068; A61F 2013/49069; A61F 2013/49071; A61F 2013/49073; A61F 2013/49074; A61F 2013/49076; A61F 2013/49077; A61F

FIG. 1 is a perspective view of the humidity detector for diaper showing our new design;
FIG. 2 is a front view thereof;
FIG. 3 is a rear view thereof;
FIG. 4 is a left side view thereof;
FIG. 5 is a right side view thereof;
FIG. 6 is a top view thereof;
FIG. 7 is a bottom view thereof; and,
FIG. 8 is a perspective view of FIG. 3.

1 Claim, 7 Drawing Sheets



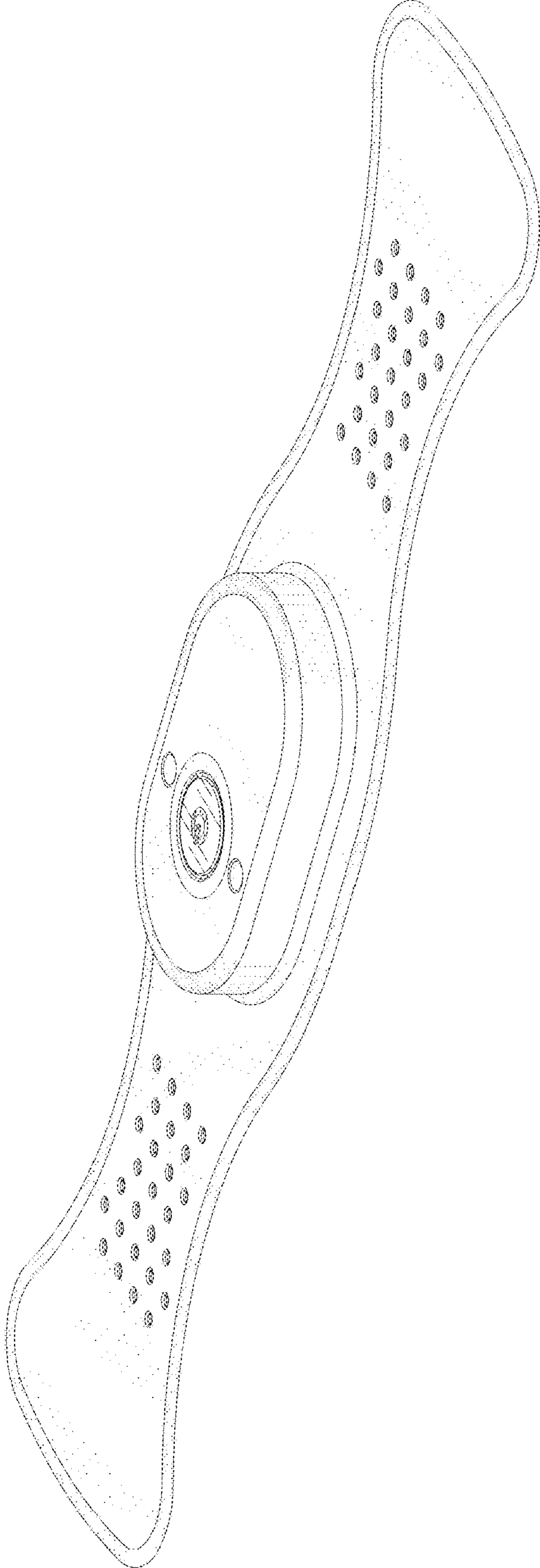


FIG. 1

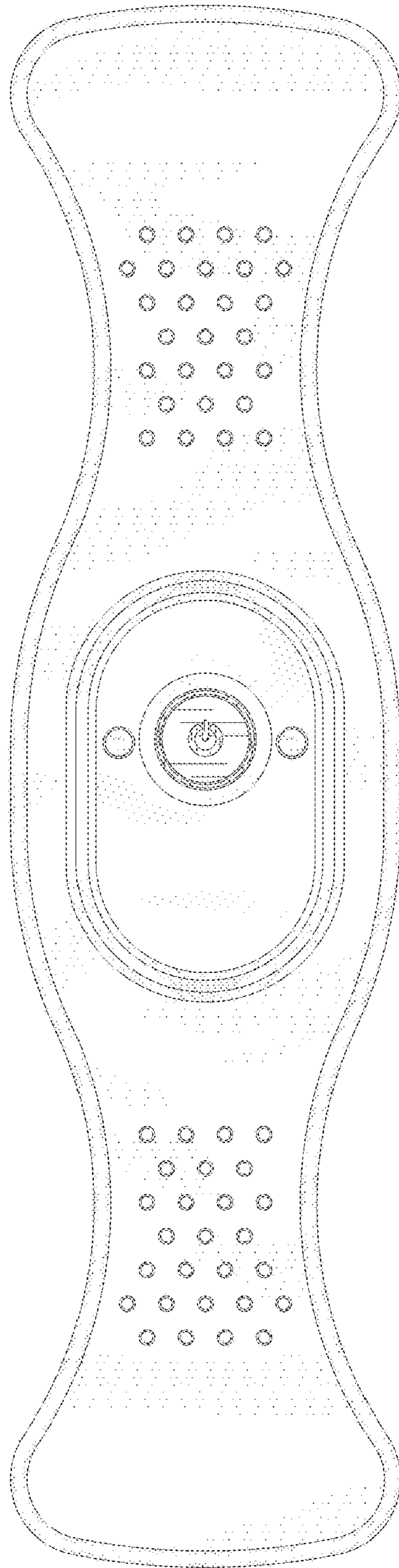


FIG. 2

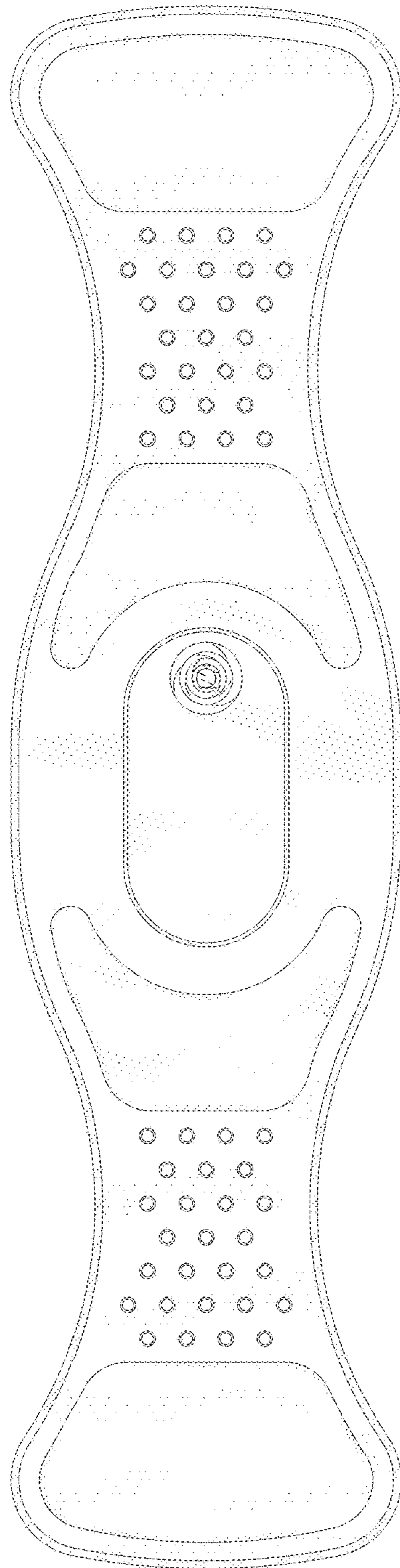


FIG. 3

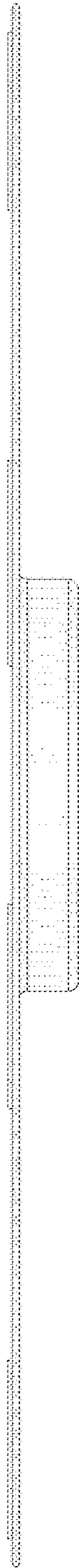


FIG. 4



FIG. 5

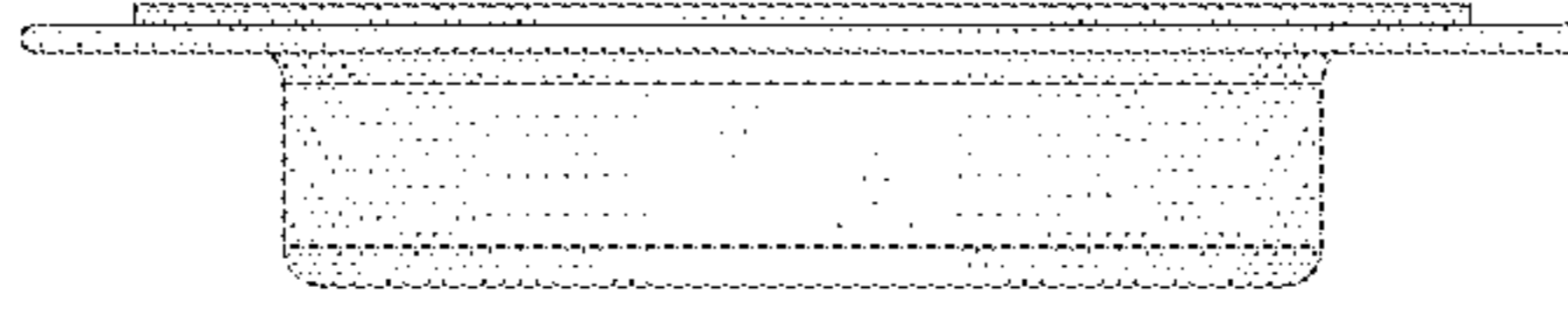


FIG. 6

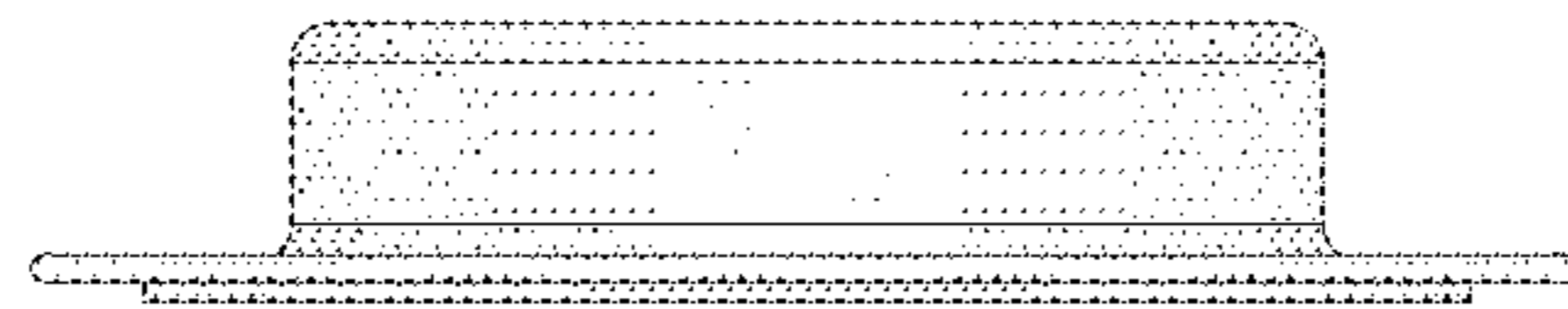


FIG. 7

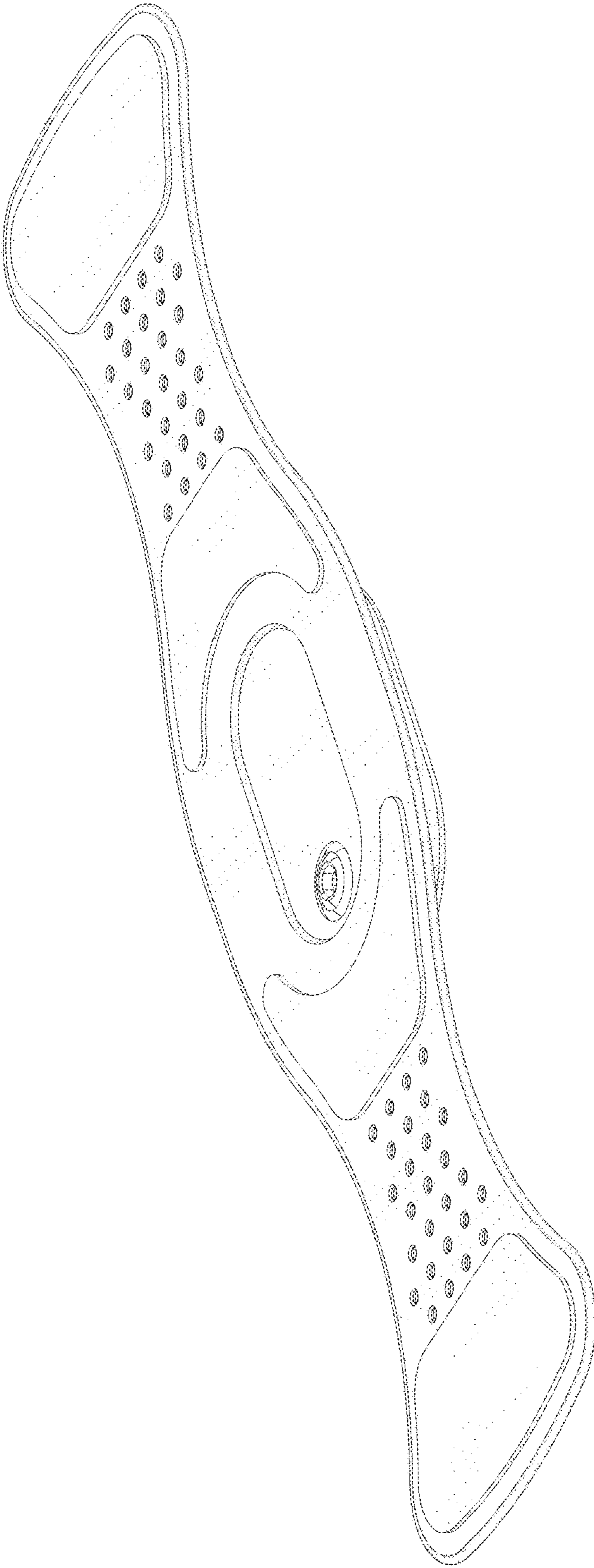


FIG. 8