



US00D831506S

(12) **United States Design Patent** (10) **Patent No.:** **US D831,506 S**  
**Nicholson et al.** (45) **Date of Patent:** **\*\* Oct. 23, 2018**

(54) **SNACK TRAY** 4,537,326 A \* 8/1985 Morehead ..... B65D 25/00  
220/269  
(71) Applicant: **Johnsonville, LLC**, Sheboygan Falls, WI (US) 5,114,038 A 5/1992 Laumann geb. Quensen  
5,139,139 A \* 8/1992 Goetz ..... B44D 3/126  
15/257.06  
(72) Inventors: **David A. Nicholson**, Sheboygan Falls, WI (US); **Daniel William Dressel**, Glencoe, IL (US); **Stuart Mark Leslie**, Larchmont, NY (US); **Daniel Taek Kim**, Washington Township, NJ (US); **Eric Michael Gray**, Chicago, IL (US) D373,053 S 8/1996 Kllegre  
D426,771 S \* 6/2000 Blow ..... D9/434  
D433,878 S 11/2000 Joergensen  
D436,854 S \* 1/2001 Feldmeier ..... D9/434  
6,398,018 B1 \* 6/2002 Livesley ..... B65D 75/32  
206/210  
(73) Assignee: **JOHNSONVILLE, LLC**, Sheboygan Falls, WI (US) D470,006 S 2/2003 Cooper et al.  
7,552,840 B2 6/2009 Gitschlag et al.  
D647,792 S \* 11/2011 Mathis ..... D9/434  
(Continued)

(\*\*) Term: **15 Years**

(21) Appl. No.: **29/618,616**

(22) Filed: **Sep. 22, 2017**

(51) **LOC (11) Cl.** ..... **09-03**

(52) **U.S. Cl.**  
USPC ..... **D9/761**; D9/434; D9/424

(58) **Field of Classification Search**  
USPC ..... D9/414, 415, 416, 418, 424, 425, 432, D9/434, 732, 737, 759, 760, 761; D3/201, 203.1, 264; D7/553.3, 554.1, D7/554.3, 554.4, 555, 586, 587  
CPC ..... B65D 81/3453; B65D 1/34; B65D 2543/00296; B65D 25/04; B65D 2543/00194; B65D 2571/0066; B65D 75/36; B65D 2519/00034; B65D 2519/00323; B65D 85/00; B65D 2519/00069; B65D 2519/00288; B65D 2519/00318; B65D 75/366; B65D 1/36; B65D 1/0223; B65D 2519/00268; B65D 2519/00139; B65D 2519/00174  
See application file for complete search history.

(56) **References Cited**

U.S. PATENT DOCUMENTS

D226,373 S \* 2/1973 Joonase et al. .... D9/425  
D248,076 S 6/1978 Christian

FOREIGN PATENT DOCUMENTS

EP D448410 B1 8/1996  
FR 2592571 A1 7/1987

*Primary Examiner* — Lauren R Calve  
(74) *Attorney, Agent, or Firm* — Quarles & Brady LLP

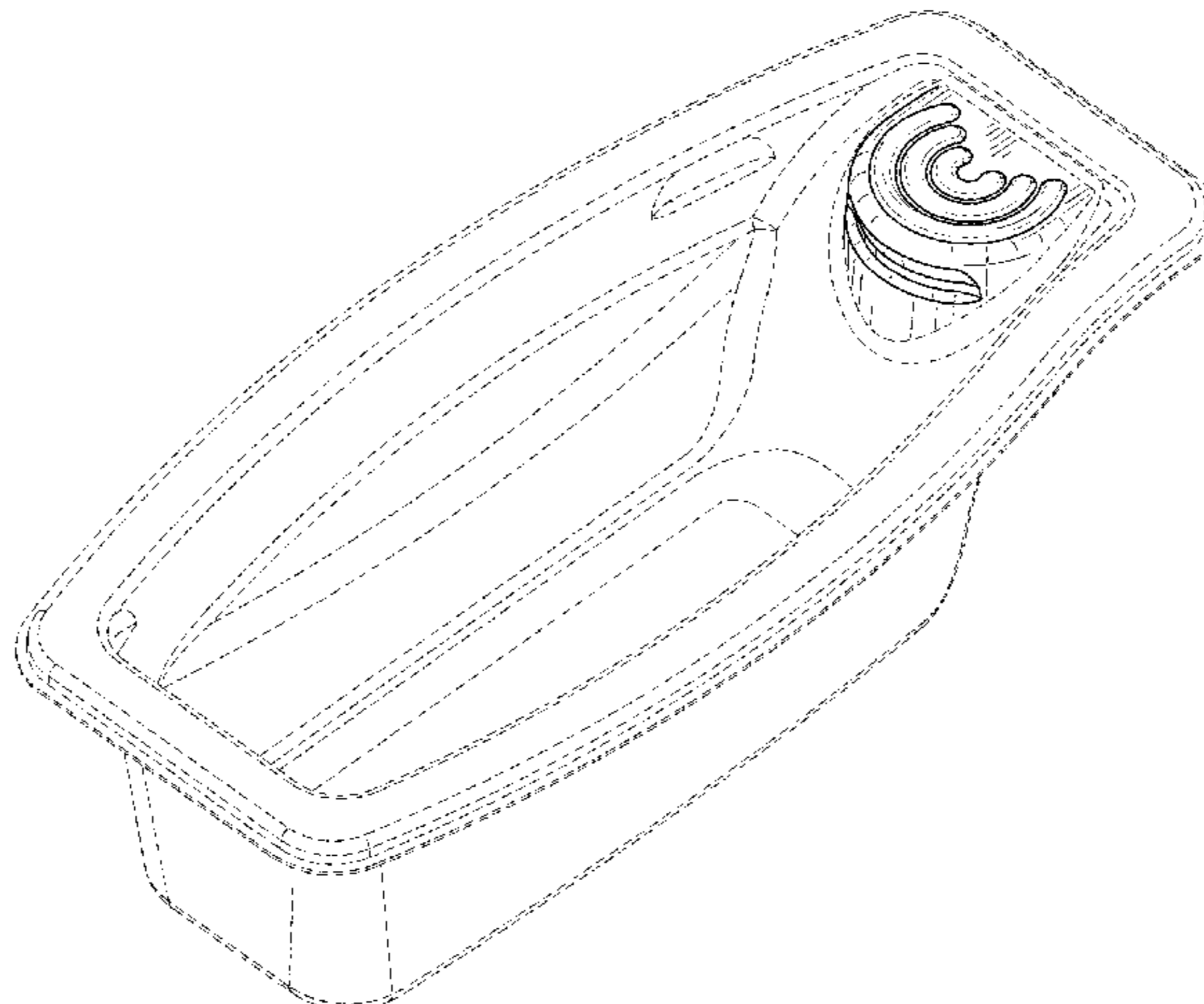
(57) **CLAIM**

The ornamental design for a snack tray, as shown and described.

**DESCRIPTION**

FIG. 1 is a top, front, and left side perspective view of a snack tray;  
FIG. 2 is a bottom, front, and right side perspective view of FIG. 1;  
FIG. 3 is a top plan view of FIG. 1;  
FIG. 4 is a right side elevational view of FIG. 1; and,  
FIG. 5 is a cross-sectional view taken along line 5-5 of FIG. 3.  
The broken line representations in the views are for illustrative purposes only and form no part of the claimed design.

**1 Claim, 4 Drawing Sheets**



(56)

**References Cited**

U.S. PATENT DOCUMENTS

D704,553 S \* 5/2014 Cassens ..... D9/434  
D706,620 S \* 6/2014 Matsumura ..... D9/424  
D719,019 S \* 12/2014 Avis ..... D9/424  
D738,207 S \* 9/2015 Bushida ..... D9/434  
D763,625 S 8/2016 Wright  
D792,785 S \* 7/2017 Fife ..... D9/761  
D808,714 S \* 1/2018 Boroski ..... D7/396.4  
D817,756 S \* 5/2018 Montarras ..... D9/424  
2009/0277913 A1 \* 11/2009 Bergman ..... B44D 3/126  
220/570  
2010/0181323 A1 \* 7/2010 Thaler ..... B65D 43/0254  
220/574  
2014/0305942 A1 \* 10/2014 Van Goolen ..... B65D 51/007  
220/260  
2017/0166362 A1 \* 6/2017 Kalmanides ..... B65D 43/0237  
2017/0369212 A1 \* 12/2017 Kim ..... B65D 43/02

\* cited by examiner

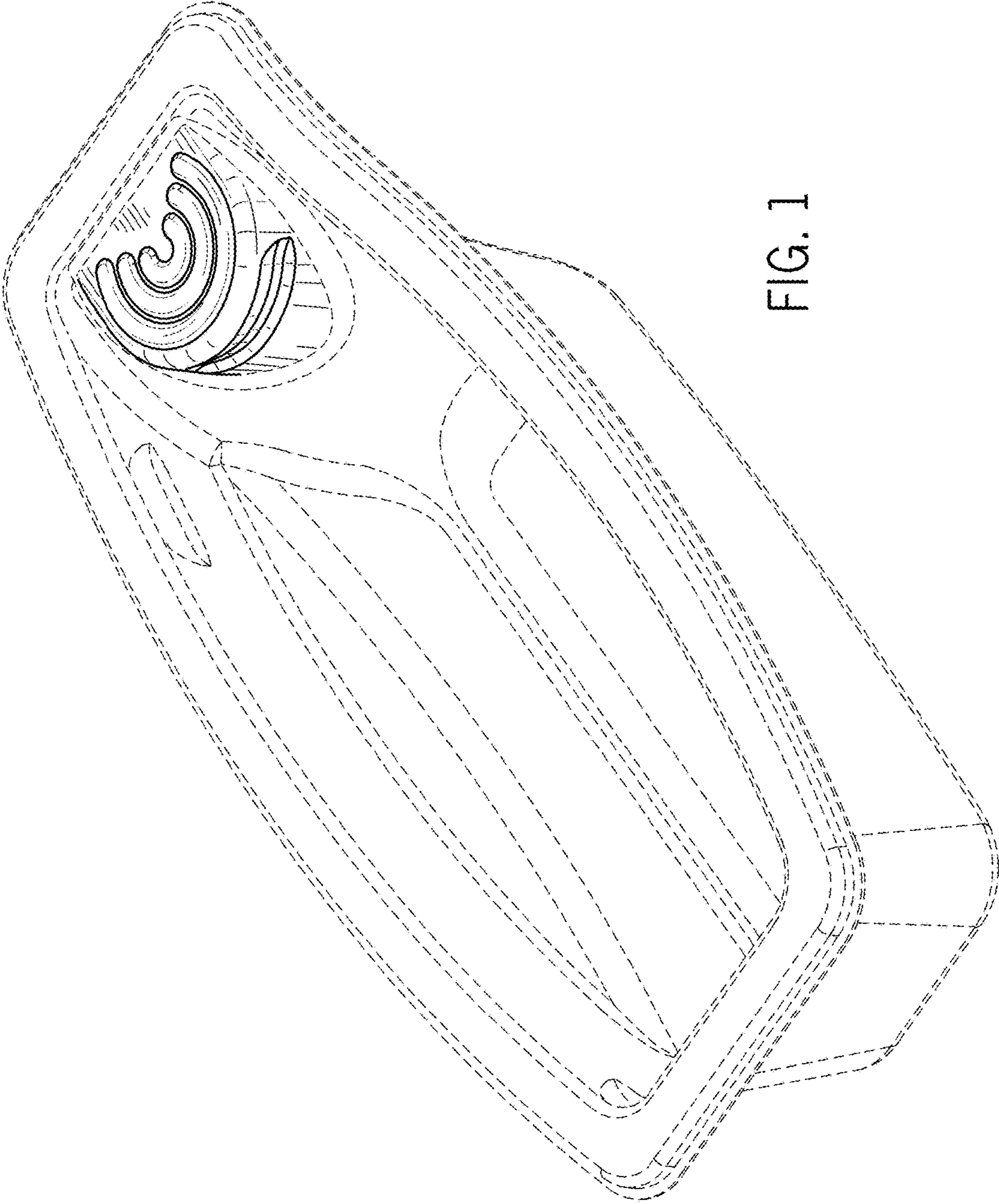


FIG. 1

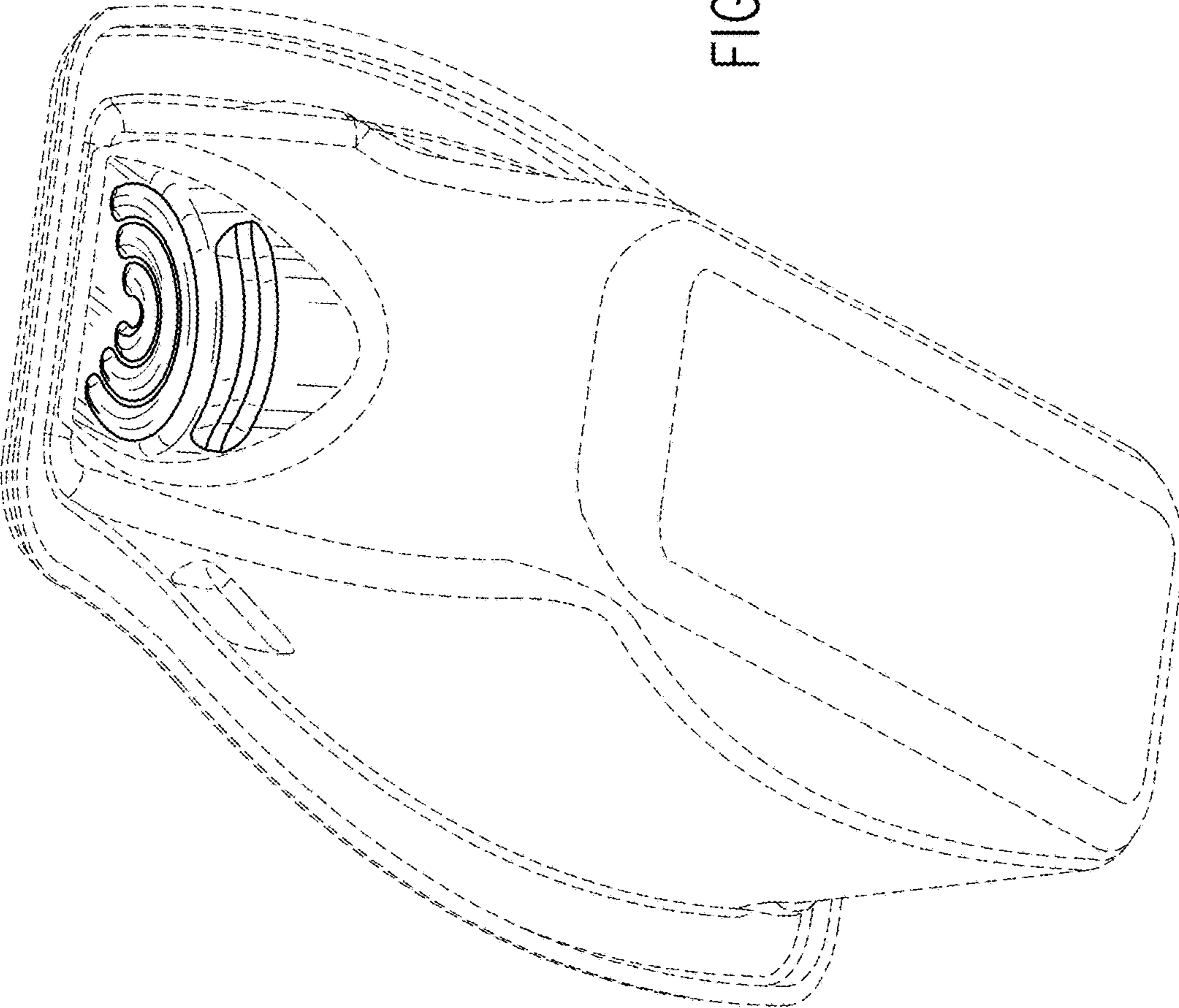


FIG. 2

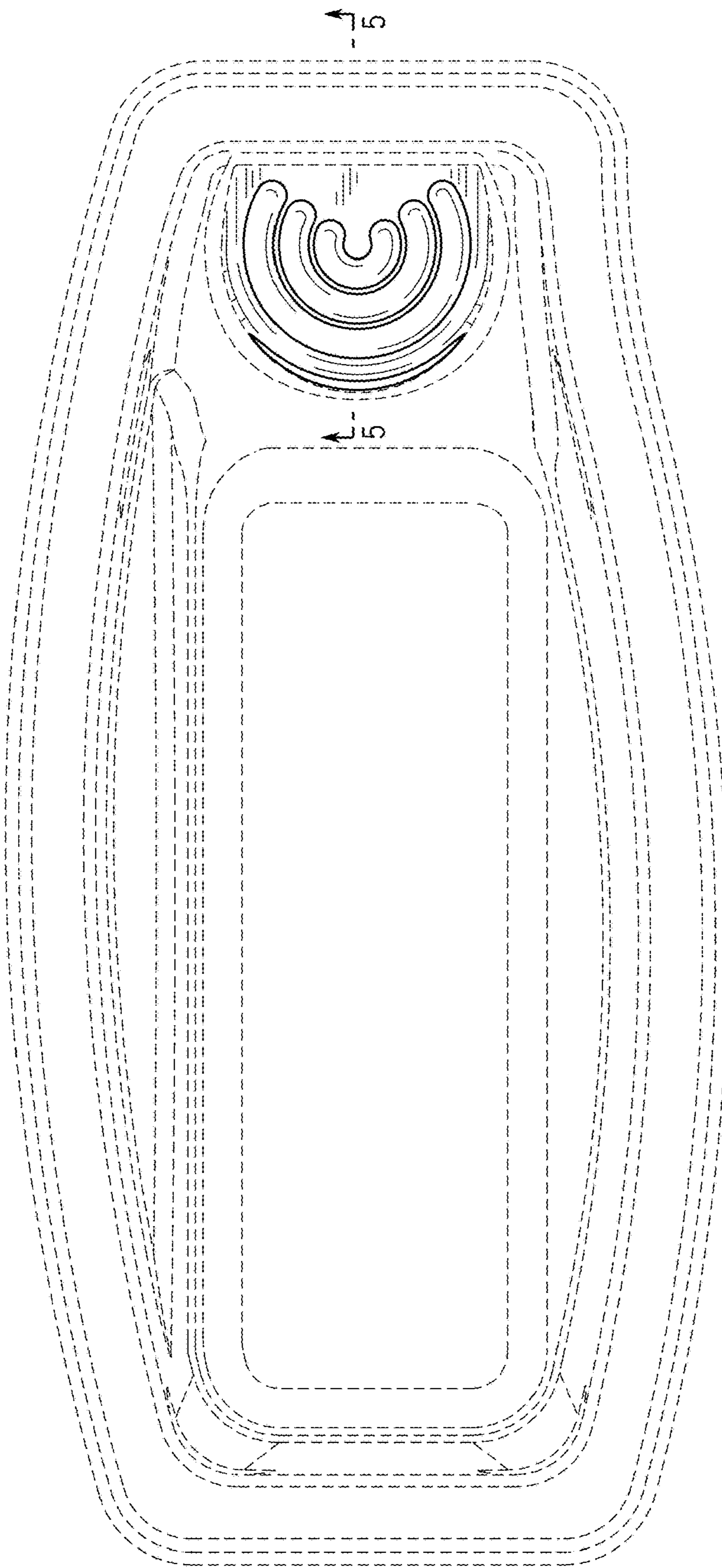


FIG. 3

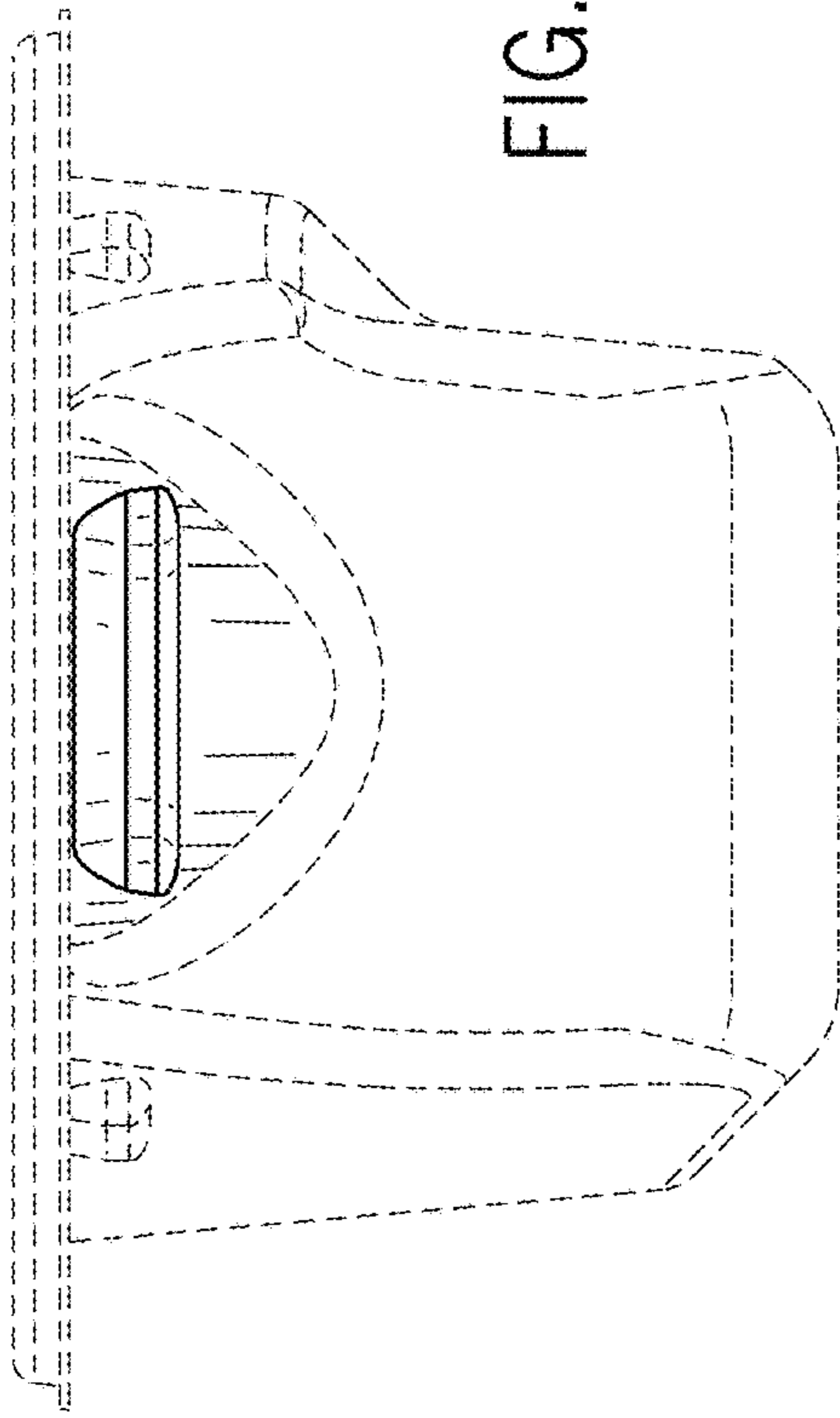


FIG. 4

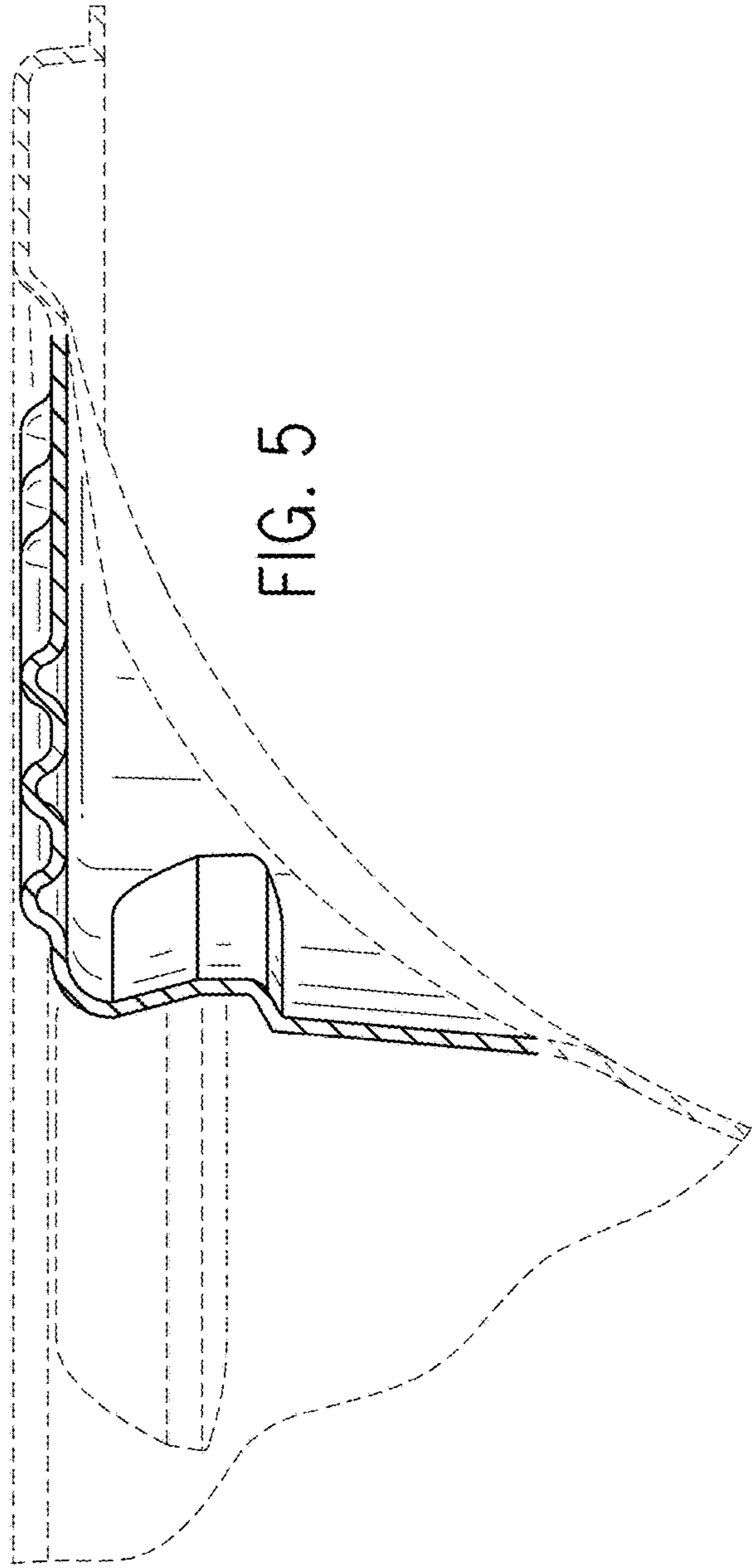


FIG. 5