



US00D831502S

(12) **United States Design Patent**  
**Borg et al.**

(10) **Patent No.:** **US D831,502 S**  
(45) **Date of Patent:** **\*\* Oct. 23, 2018**

- (54) **FOUR-PACK BOTTLE CARRIER WITH GRASPABLE LOOP**
- (71) Applicant: **Oregon Precision Industries, Inc.**, Eugene, OR (US)
- (72) Inventors: **Zakary James Borg**, Eugene, OR (US); **Ronald Lee Mellor, Jr.**, Eugene, OR (US)
- (73) Assignee: **Oregon Precision Industries, Inc.**, Eugene, OR (US)
- (\*\*) Term: **15 Years**
- (21) Appl. No.: **29/596,051**
- (22) Filed: **Mar. 3, 2017**
- (51) **LOC (11) Cl.** ..... **09-03**
- (52) **U.S. Cl.**  
USPC ..... **D9/753; D9/752**
- (58) **Field of Classification Search**  
USPC ..... D9/750-754, 455, 456; D3/315; 206/150, 151, 159-161, 199, 821, 200, 206/145, 216, 164, 430, 503, 509, 427, 206/206; 294/87.2, 87.28, 159  
CPC .... B65D 71/50; B65D 21/0224; B65D 67/02; B65D 71/502; B65D 71/504; B65D 21/0206; B65D 21/0219; A47F 2200/0583; A47G 23/0208  
See application file for complete search history.

- D283,676 S \* 5/1986 Kochling ..... D9/752
- 4,712,680 A \* 12/1987 Panazzolo ..... B65D 71/50  
206/148
- D294,331 S \* 2/1988 Panazzolo ..... D9/752  
(Continued)

**OTHER PUBLICATIONS**

PakTech Handles, available Nov. 24, 2016, [online], [site visited Jul. 7, 2018]. Available from internet, <URL: <https://paktech-opi.com/>> (Year: 2016).\*

(Continued)

*Primary Examiner* — Cathron C Brooks  
*Assistant Examiner* — W. A. Teddy Falloway  
(74) *Attorney, Agent, or Firm* — Alleman Hall Creasman & Tuttle LLP

(57) **CLAIM**

The ornamental design for a four-pack bottle carrier with graspable loop, as shown and described.

**DESCRIPTION**

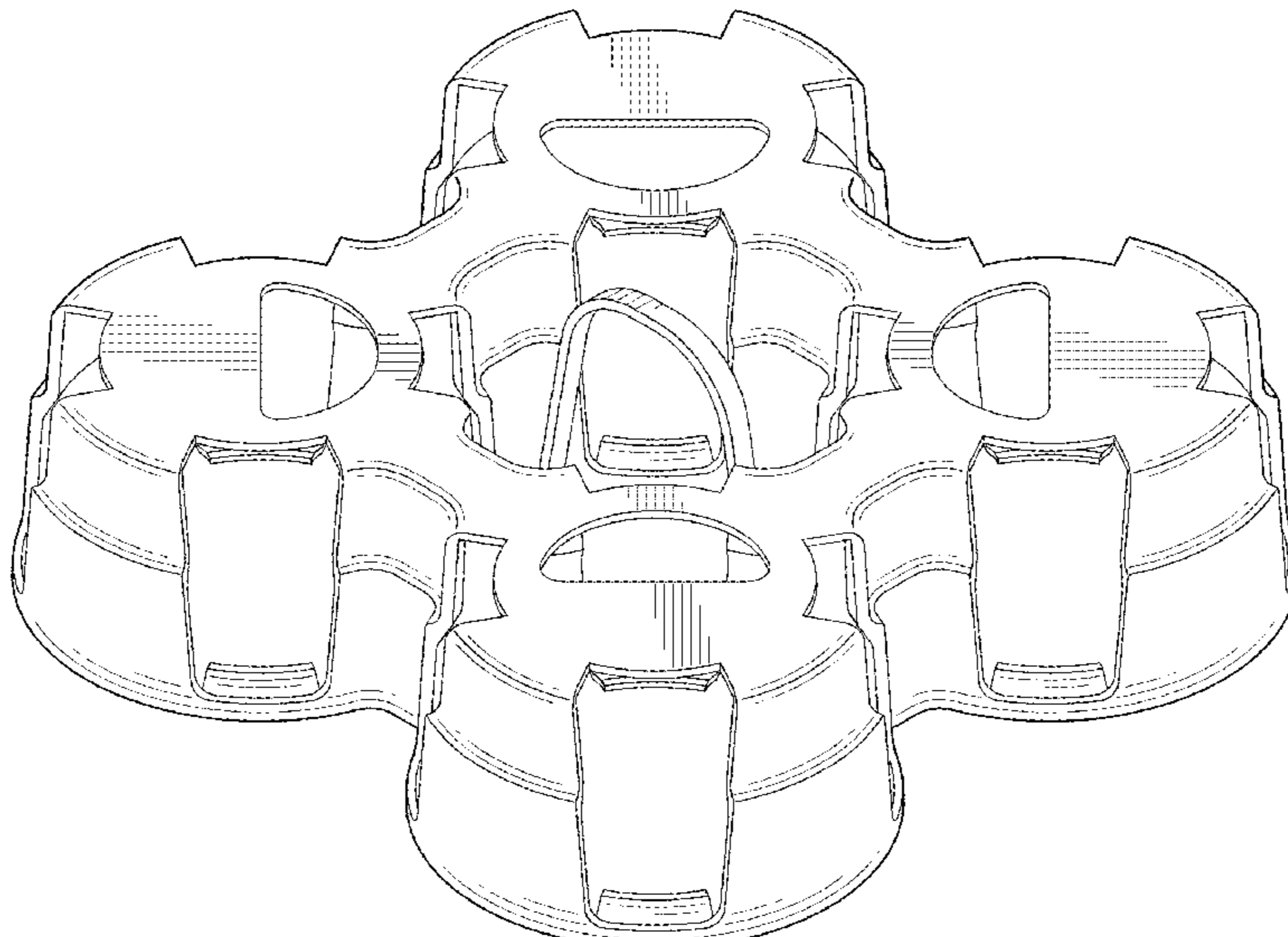
FIG. 1 is a top perspective view of an ornamental design for a four-pack bottle carrier with graspable loop showing my new design.  
FIG. 2 is a bottom perspective view of the four-pack bottle carrier with graspable loop of FIG. 1.  
FIG. 3 is a top view of the four-pack bottle carrier with graspable loop of FIG. 1.  
FIG. 4 is a front view of the four-pack bottle carrier with graspable loop of FIG. 1.  
FIG. 5 is a back view of the four-pack bottle carrier with graspable loop of FIG. 1.  
FIG. 6 is a left side view of the four-pack bottle carrier with graspable loop of FIG. 1.  
FIG. 7 is a right side of the four-pack bottle carrier with graspable loop of FIG. 1; and,  
FIG. 8 is a bottom view of the four-pack bottle carrier with graspable loop of FIG. 1.

**1 Claim, 5 Drawing Sheets**

(56) **References Cited**

**U.S. PATENT DOCUMENTS**

- 4,139,094 A \* 2/1979 Berry ..... B65D 71/50  
206/148
- D279,356 S \* 6/1985 Moss ..... D9/434
- 4,523,677 A \* 6/1985 Schurmann ..... B65D 71/50  
206/151
- D282,908 S \* 3/1986 Panazzolo ..... D9/752



(56)

**References Cited**

U.S. PATENT DOCUMENTS

4,872,549 A \* 10/1989 Panzzolo ..... B65D 71/50  
 206/148  
 D329,807 S \* 9/1992 Heider ..... D9/752  
 5,413,395 A \* 5/1995 Stewart ..... B65D 71/50  
 206/151  
 D371,510 S \* 7/1996 Marsh ..... D9/752  
 5,884,757 A \* 3/1999 Prince ..... B65D 71/50  
 206/153  
 D407,637 S \* 4/1999 Pratt ..... D9/752  
 6,658,815 B1 \* 12/2003 Gaspar ..... B65D 71/50  
 53/390  
 6,679,380 B2 \* 1/2004 Brown ..... A47G 23/0641  
 206/427  
 D705,666 S \* 5/2014 Borg ..... D9/752  
 D722,891 S \* 2/2015 Borg ..... D9/752  
 D744,819 S \* 12/2015 Dalisay ..... D8/394  
 9,227,776 B2 \* 1/2016 Chapel ..... B65D 71/70  
 D757,548 S \* 5/2016 Borg ..... D9/434  
 2012/0073997 A1 \* 3/2012 Borg ..... B65D 21/0206  
 206/150

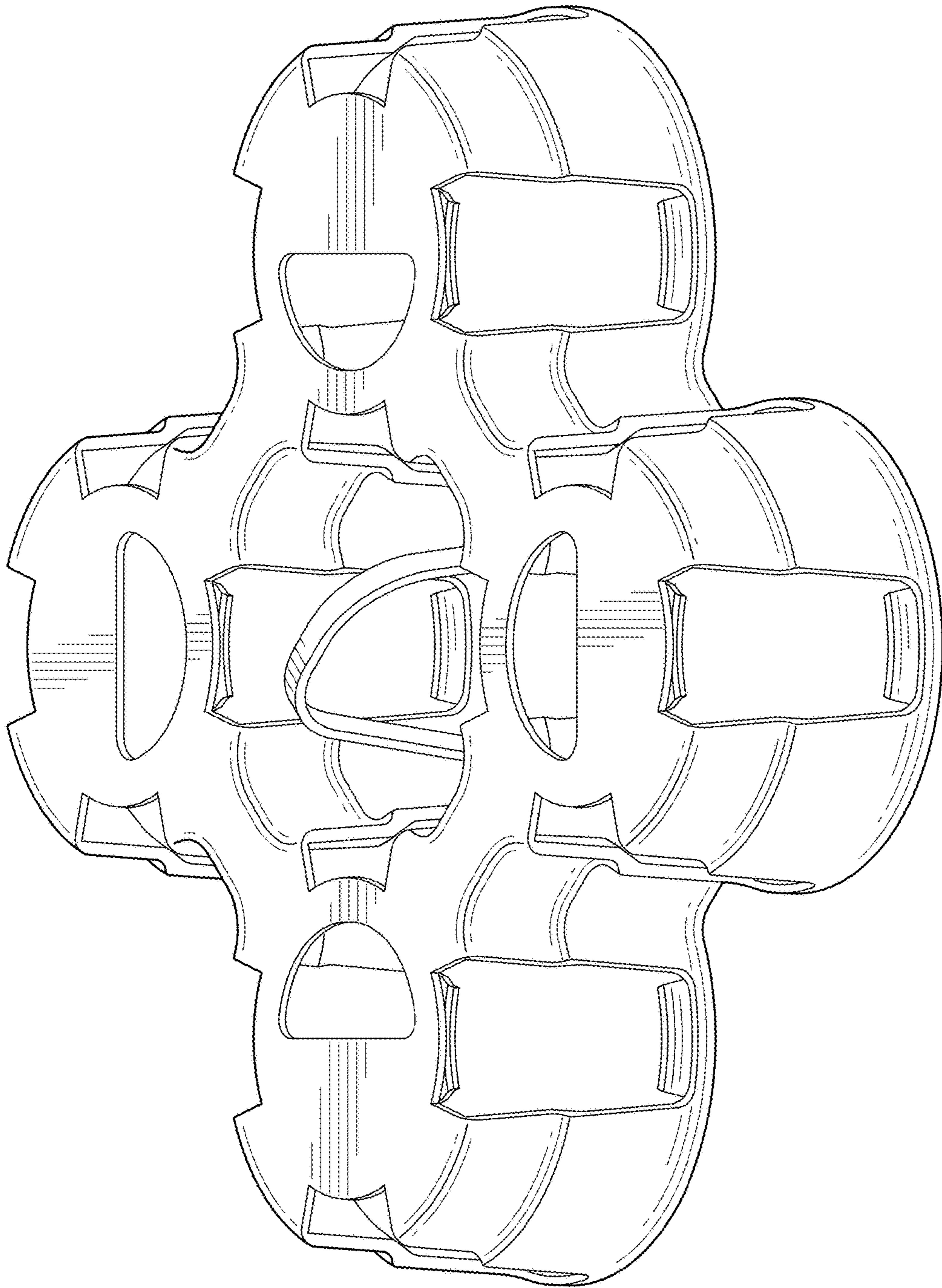
OTHER PUBLICATIONS

PakTech Handles, available Apr. 19, 2018, [online], [site visited Jul. 7, 2018]. Available from internet, <URL: <https://paktech-opi.com/> (Year: 2018).\*

Can Carrier (by PakTech via Dylan Macnab), available May 2013, [online], [site visited Jul. 7, 2018]. Available from internet, <URL: <http://cargocollective.com/dylanmacnab/Can-Carrier> (Year: 2013).\*

Plastic 4/6 pack PakTech “can holders” (via Beeradvocate), available Sep. 20, 2017, [online], [site visited Jul. 7, 2018]. Available from internet, <URL: <https://www.beeradvocate.com/community/threads/plastic-4-6-pack-paktech-can-holders.537476/> (Year: 2017).\*

\* cited by examiner



**FIG. 1**

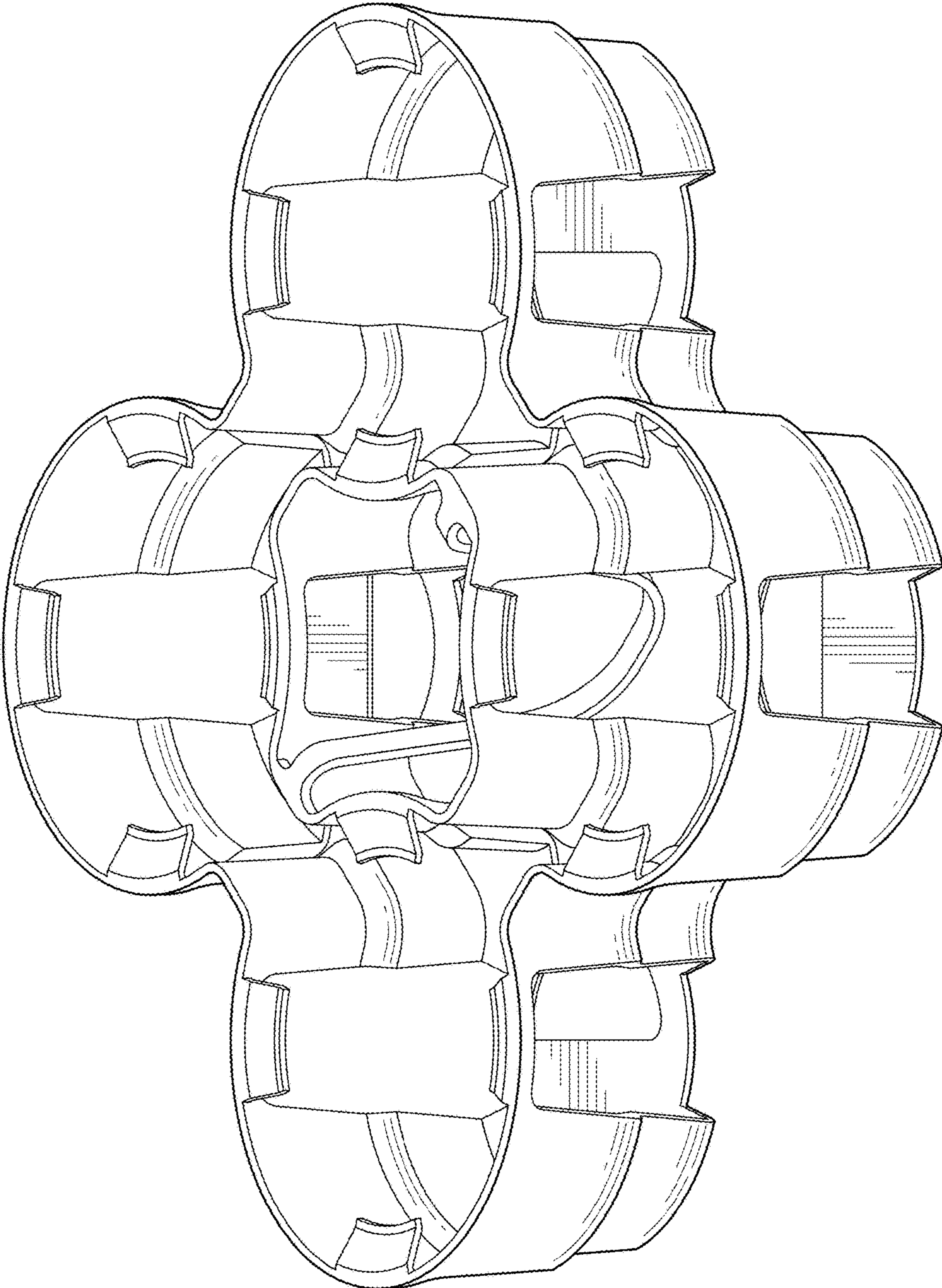


FIG. 2

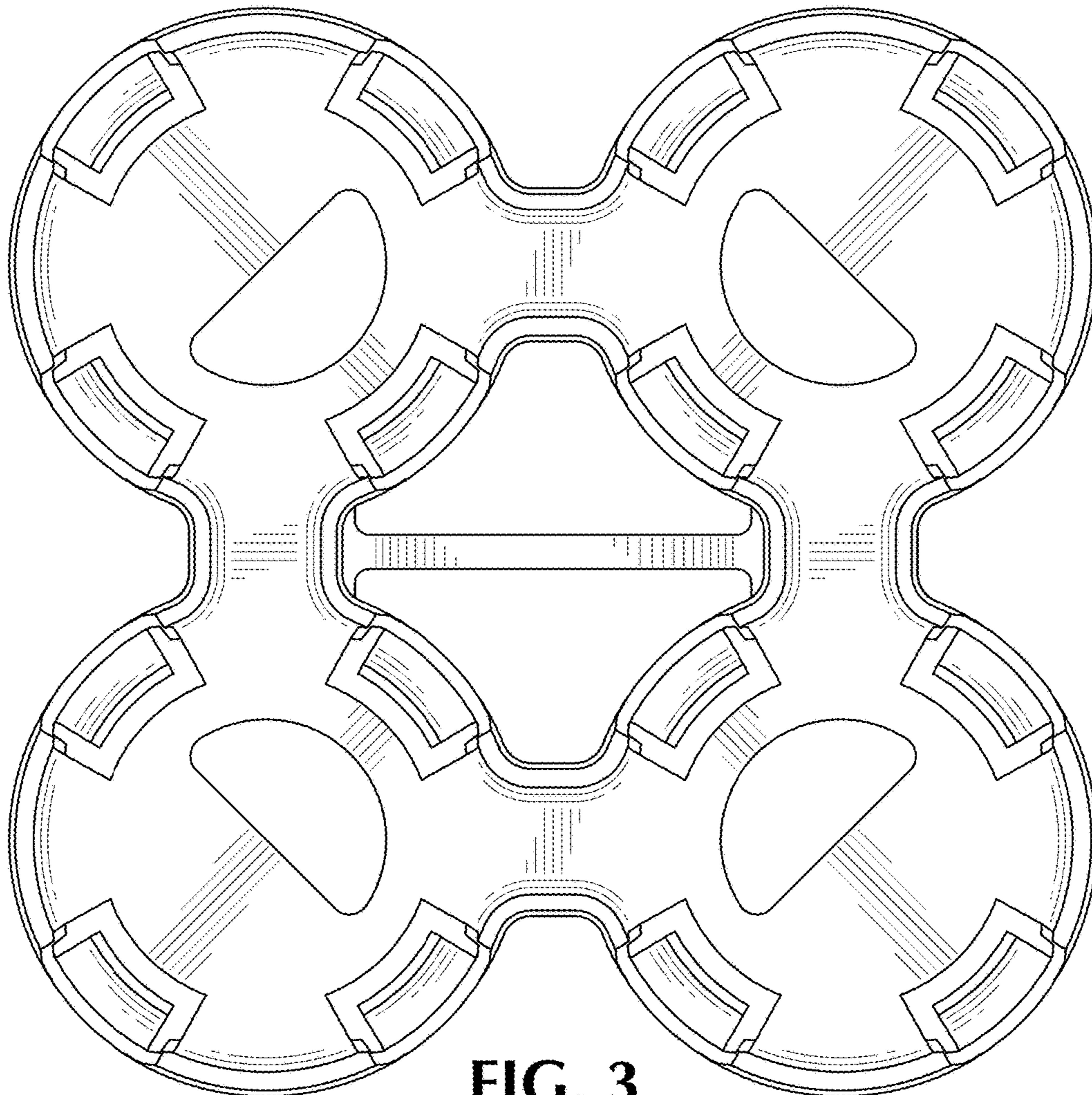


FIG. 3

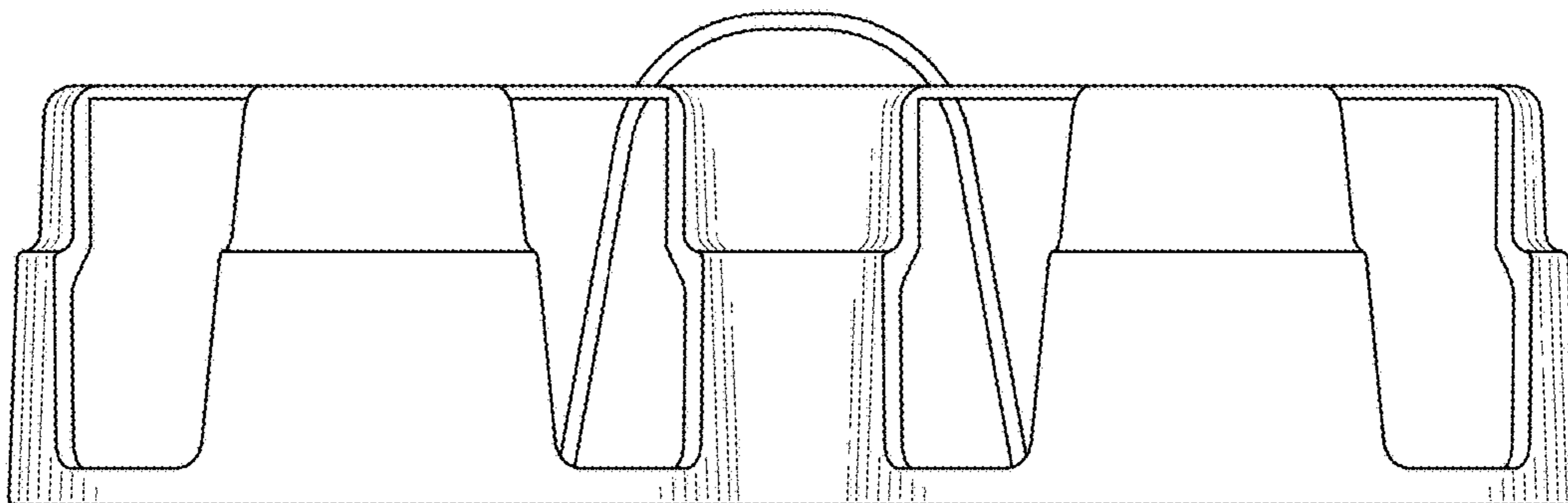


FIG. 4

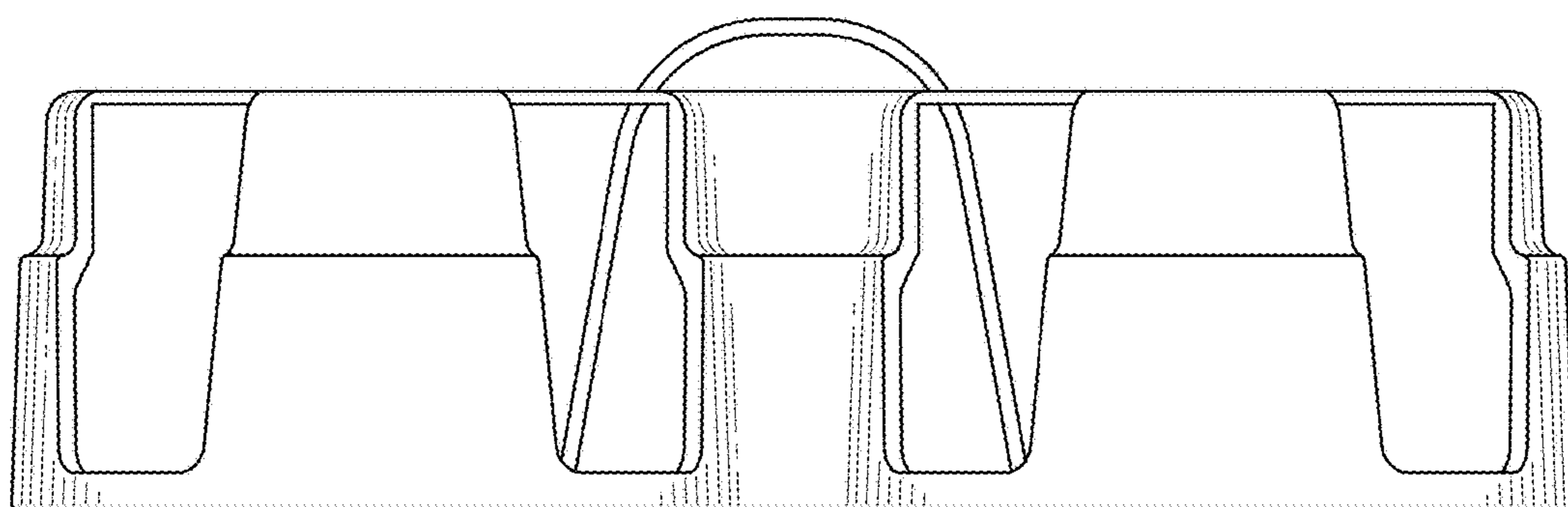


FIG. 5

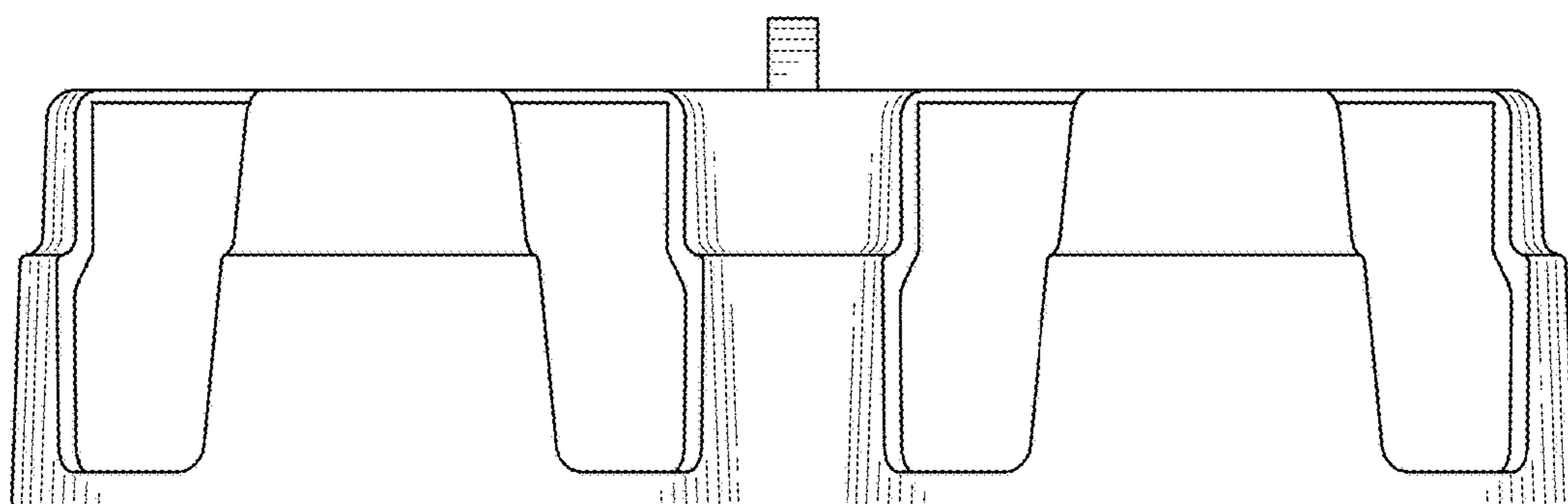


FIG. 6

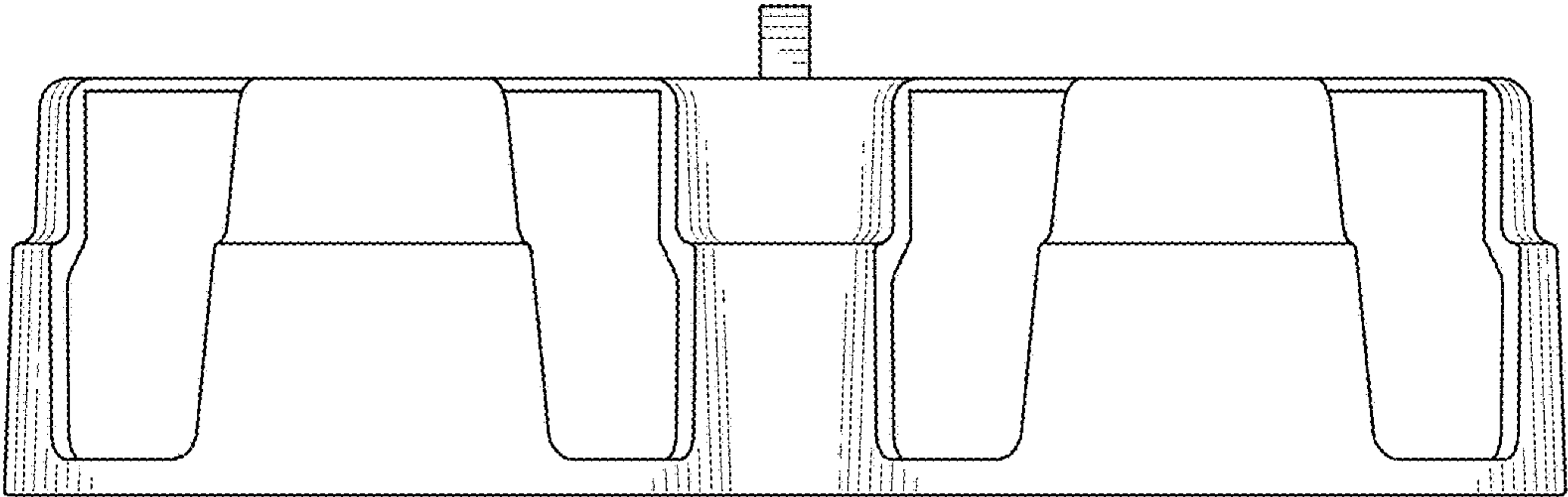


FIG. 7

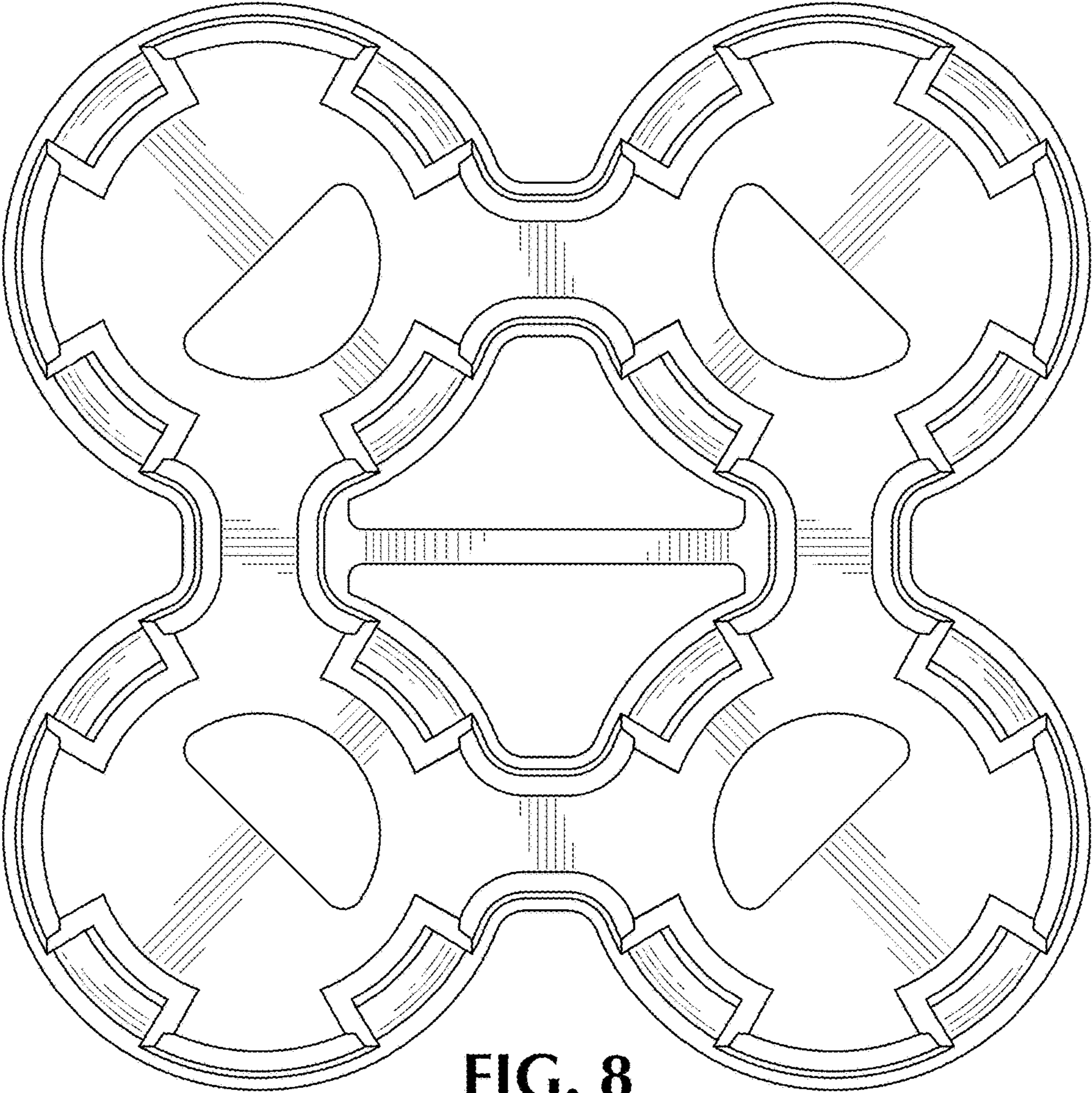


FIG. 8