

US00D831501S

(12) **United States Design Patent**
Borg et al.

(10) **Patent No.:** **US D831,501 S**
(45) **Date of Patent:** **** Oct. 23, 2018**

(54) **THREE-PACK CAN CARRIER WITH HANDLE**

4,712,680 A * 12/1987 Panazzolo B65D 71/50
206/148
D294,331 S * 2/1988 Panazzolo D9/752
4,872,549 A * 10/1989 Panzzolo B65D 71/50
206/148

(71) Applicant: **Oregon Precision Industries, Inc.**,
Eugene, OR (US)

(Continued)

(72) Inventors: **Zakary James Borg**, Eugene, OR
(US); **Ronald Lee Mellor, Jr.**, Eugene,
OR (US)

OTHER PUBLICATIONS

PakTech Handles, available Nov. 24, 2016, [online], [site visited Jul. 7, 2018]. Available from internet, <URL: <https://paktech-opi.com/>> (Year: 2016).*

(Continued)

(73) Assignee: **Oregon Precision Industries, Inc.**,
Eugene, OR (US)

(**) Term: **15 Years**

Primary Examiner — Cathron C Brooks
Assistant Examiner — W. A. Teddy Falloway
(74) *Attorney, Agent, or Firm* — Alleman Hall Creasman
& Tuttle LLP

(21) Appl. No.: **29/596,049**

(22) Filed: **Mar. 3, 2017**

(51) **LOC (11) Cl.** **09-03**

(52) **U.S. Cl.**
USPC **D9/752; D9/753**

(58) **Field of Classification Search**
USPC D9/750–754, 455, 456; D3/315;
206/150, 151, 159–161, 199, 821, 200,
206/145, 216, 164, 430, 503, 509, 427,
206/206; 294/87.2, 87.28, 159
CPC B65D 71/50; B65D 21/0224; B65D 67/02;
B65D 71/502; B65D 71/504; B65D
21/0206; B65D 21/0219; A47F
2200/0583; A47G 23/0208
See application file for complete search history.

(57) **CLAIM**

The ornamental design for a three-pack can carrier with handle, as shown and described.

DESCRIPTION

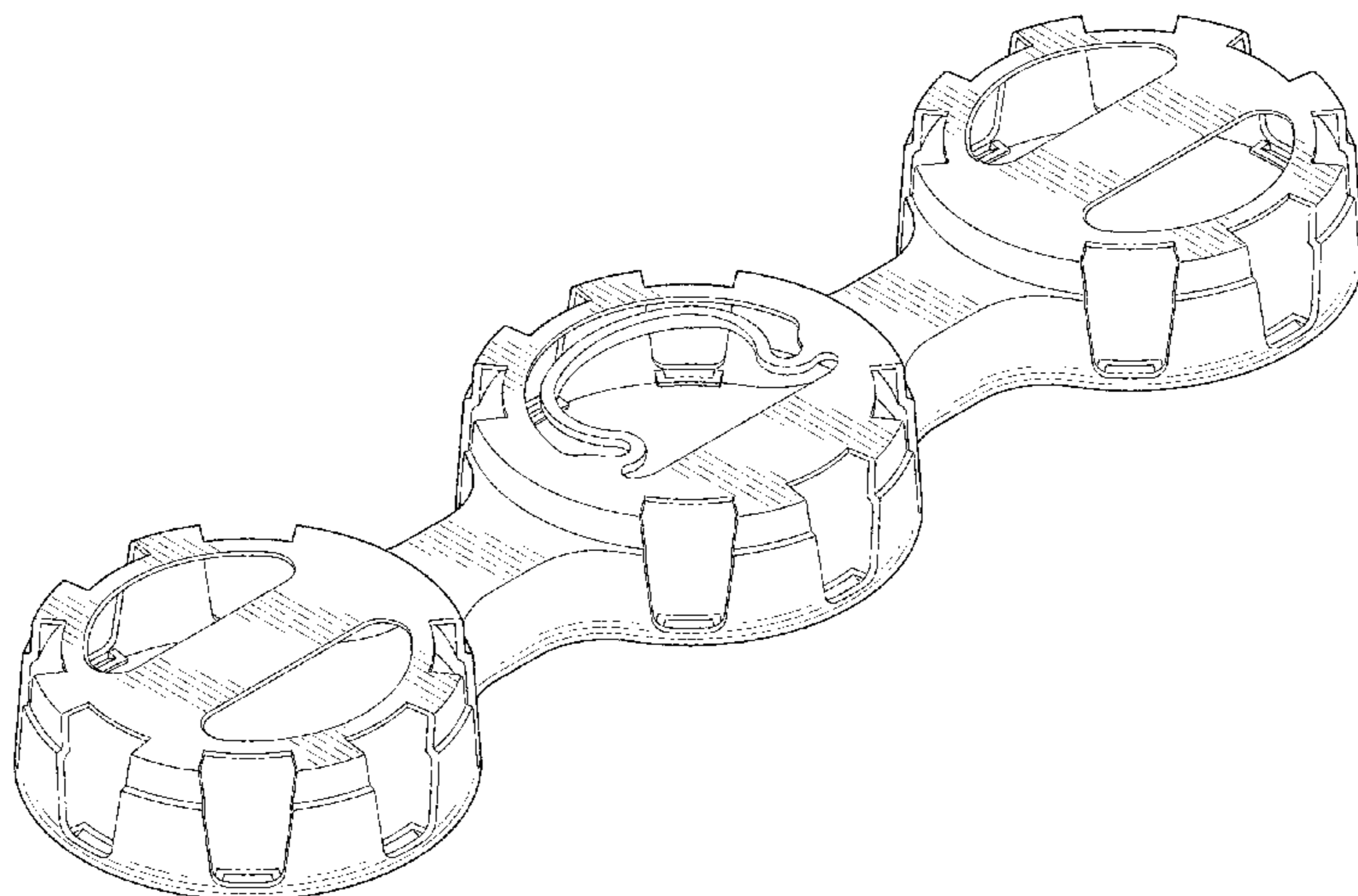
FIG. 1 is a top perspective view of an ornamental design for a three-pack can carrier with handle showing my new design.
FIG. 2 is a bottom perspective view of the three-pack can carrier with handle of FIG. 1.
FIG. 3 is a top view of the three-pack can carrier with handle of FIG. 1.
FIG. 4 is a left side view of the three-pack can carrier with handle of FIG. 1.
FIG. 5 is a right side view of the three-pack can carrier with handle of FIG. 1.
FIG. 6 is a front view of the three-pack can carrier with handle of FIG. 1.
FIG. 7 is a back view of the three-pack can carrier with handle of FIG. 1; and,
FIG. 8 is a bottom view of the three-pack can carrier with handle of FIG. 1.

(56) **References Cited**

U.S. PATENT DOCUMENTS

4,139,094 A * 2/1979 Berry B65D 71/50
206/148
D279,356 S * 6/1985 Moss D9/434
4,523,677 A * 6/1985 Schurmann B65D 71/50
206/151
D282,908 S * 3/1986 Panazzolo D9/752
D283,676 S * 5/1986 Kochling D9/752

1 Claim, 4 Drawing Sheets



(56)

References Cited

U.S. PATENT DOCUMENTS

D329,807	S *	9/1992	Heider	D9/752
5,413,395	A *	5/1995	Stewart	B65D 71/50
				206/151
D371,510	S *	7/1996	Marsh	D9/752
5,884,757	A *	3/1999	Prince	B65D 71/50
				206/153
D407,637	S *	4/1999	Pratt	D9/752
6,658,815	B1 *	12/2003	Gaspar	B65D 71/50
				53/390
6,679,380	B2 *	1/2004	Brown	A47G 23/0641
				206/427
D705,666	S *	5/2014	Borg	D9/752
D722,891	S *	2/2015	Borg	D9/752
D744,819	S *	12/2015	Dalisay	D8/394
9,227,776	B2 *	1/2016	Chapel	B65D 71/70
D757,548	S *	5/2016	Borg	D9/434
2012/0073997	A1 *	3/2012	Borg	B65D 21/0206
				206/150

OTHER PUBLICATIONS

PakTech Handles, available Apr. 19, 2018, [online], [site visited Jul. 7, 2018]. Available from internet, <URL: <https://paktech-opi.com/> (Year: 2018).*

Can Carrier (by PakTech via Dylan Macnab), available May 2013, [online], [site visited Jul. 7, 2018]. Available from internet, <URL: <http://cargocollective.com/dylanmacnab/CAN-CARRIER> (Year: 2013).*

Plastic 4/6 pack PakTech “can holders” (via Beeradvocate), available Sep. 20, 2017, [online], [site visited Jul. 7, 2018]. Available from internet, <URL: <https://www.beeradvocate.com/community/threads/plastic-4-6-pack-paktech-can-holders.537476/> (Year: 2017).*

* cited by examiner

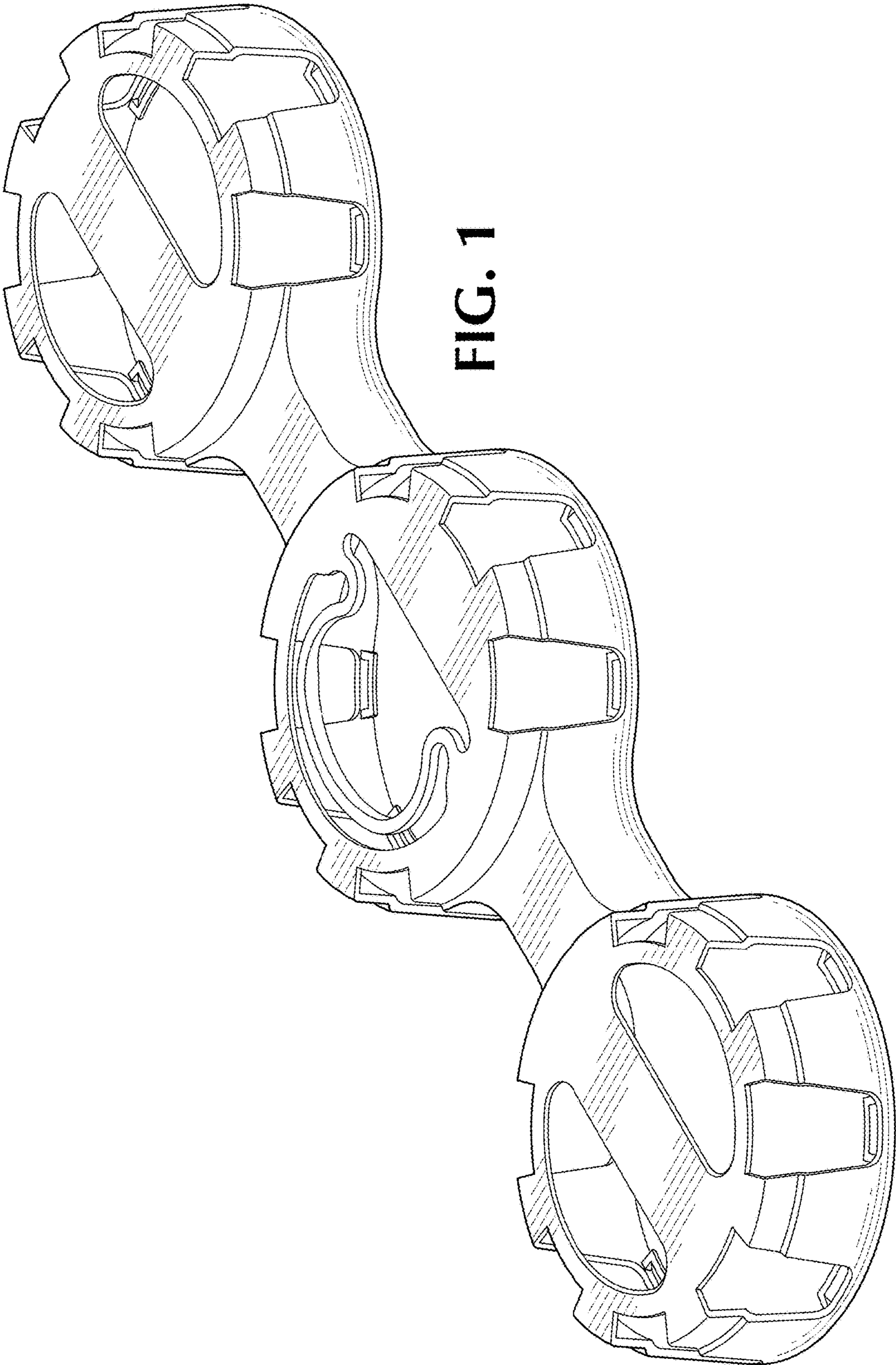


FIG. 1

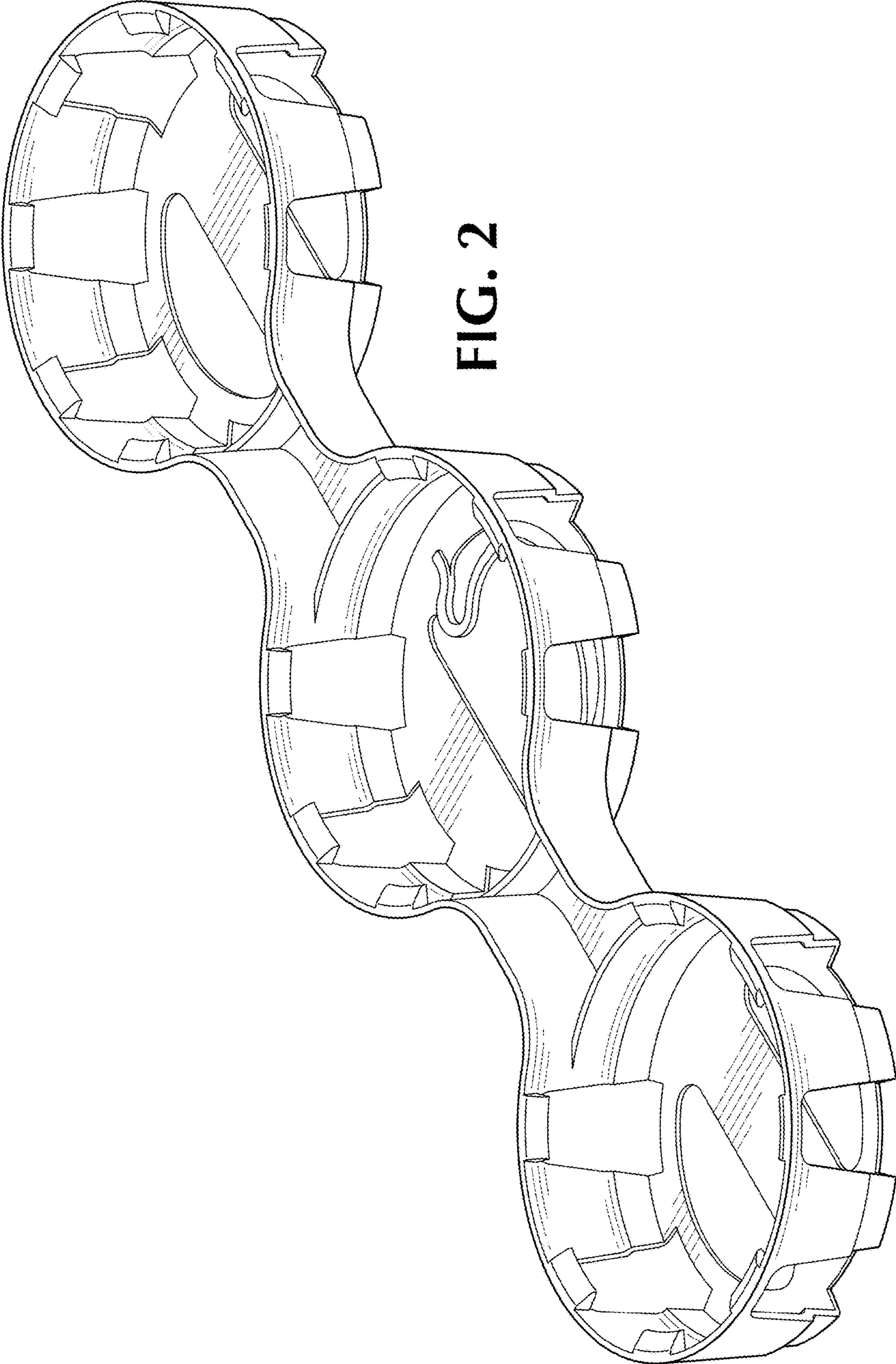


FIG. 2

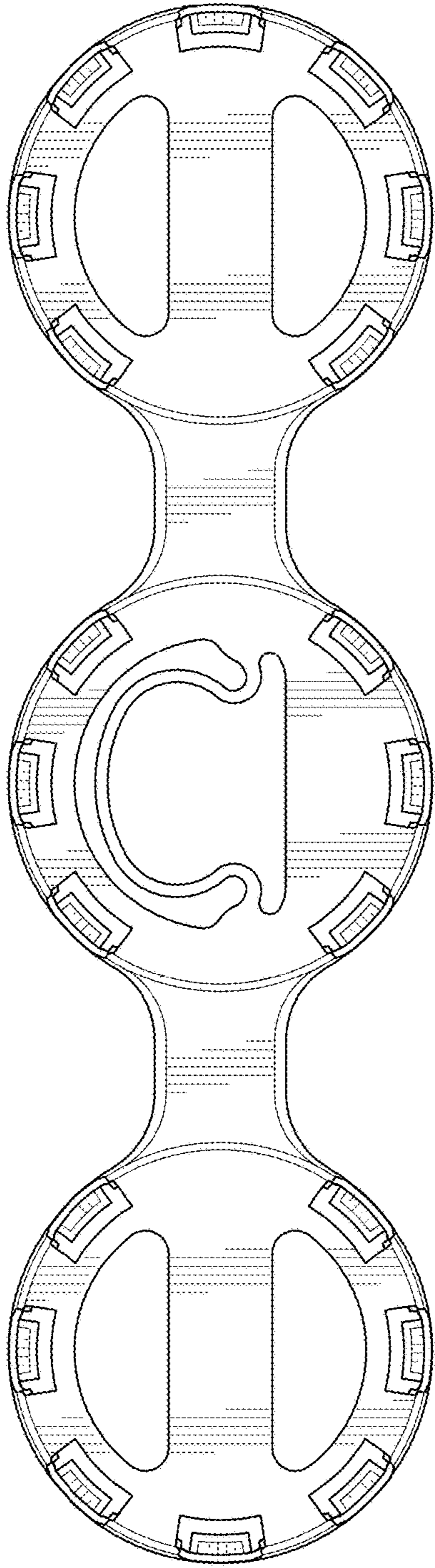


FIG. 3

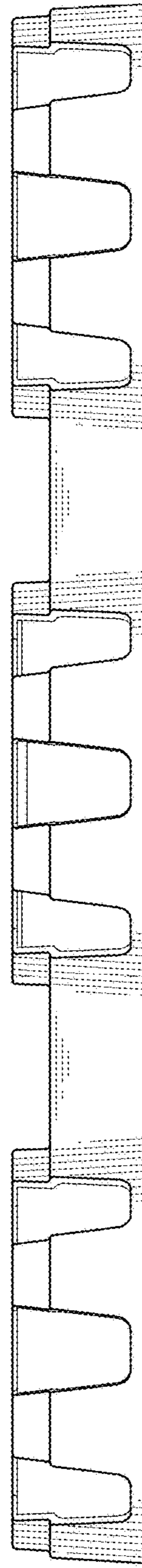


FIG. 4

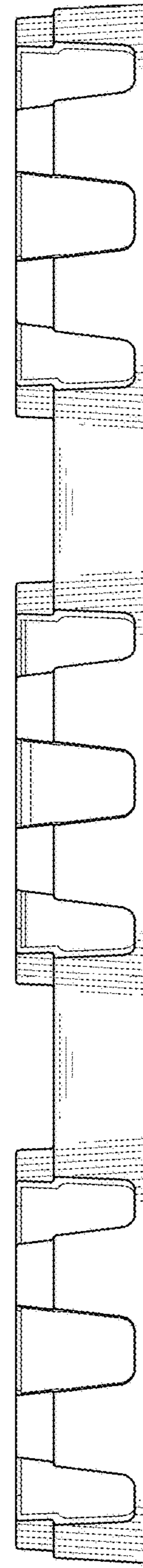


FIG. 5

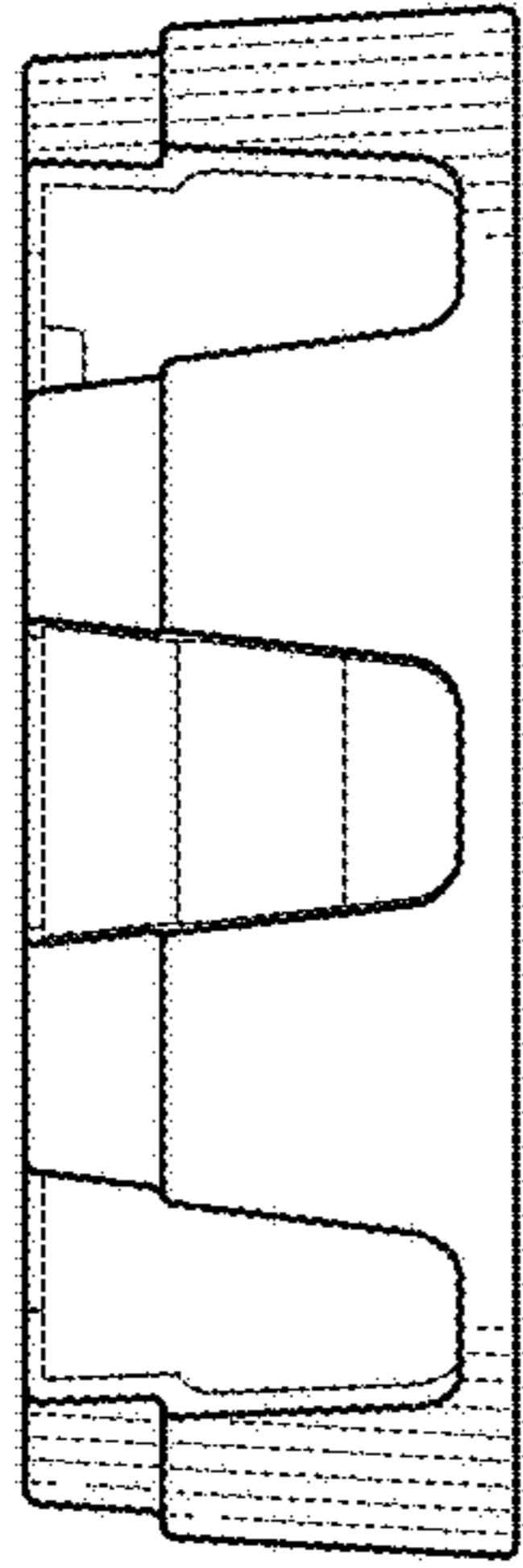


FIG. 6

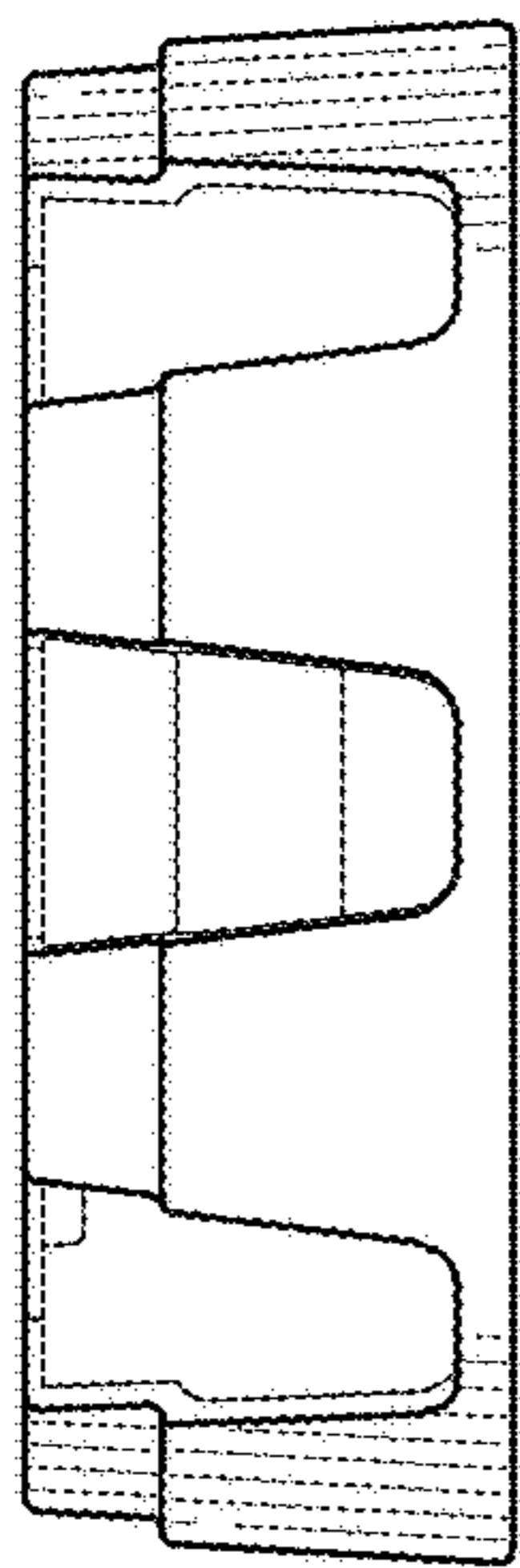


FIG. 7

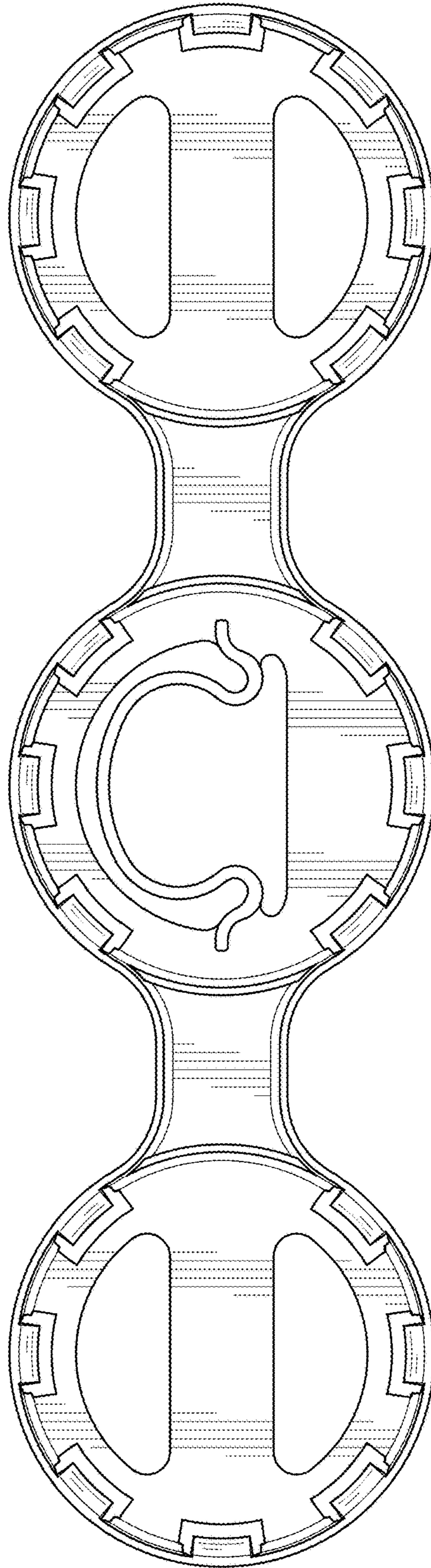


FIG. 8