



US00D831500S

(12) **United States Design Patent**  
**Moynihan**

(10) **Patent No.:** **US D831,500 S**  
(45) **Date of Patent:** **\*\* Oct. 23, 2018**

(54) **FLUID CONTAINER AND DISPENSER**

(71) Applicant: **Dave E. Moynihan**, Penfield, NY (US)

(72) Inventor: **Dave E. Moynihan**, Penfield, NY (US)

(\*\*) Term: **15 Years**

(21) Appl. No.: **29/612,789**

(22) Filed: **Aug. 3, 2017**

(51) **LOC (11) Cl.** ..... **09-05**

(52) **U.S. Cl.**  
USPC ..... **D9/707**

(58) **Field of Classification Search**

USPC ..... D9/702-714, 429-432, 447, 720, 414,  
D9/434-435, 716, 771, 522, 571-575,  
D9/682, 738-747, 516-517, 529-530,  
D9/547, 549, 569, 537-538, 544, 503,  
D9/505, 545; 383/6, 9, 22, 96, 61.1,  
383/80-81, 104, 901, 63, 203, 107, 119,  
383/120, 123; D24/118, 207; 222/92,  
222/107, 206; 604/316, 403, 410, 408;  
220/495.03, 669, 675; 215/381-385,  
215/12.1; D3/202, 303, 232  
CPC ... B65D 1/38; B65D 1/02; B65D 1/00; B65D  
1/0223; B65D 1/24; B65D 11/00; B65D  
11/02; B65D 11/04; B65D 11/14; B65D  
11/20; B65D 29/00; B65D 29/02; B65D  
29/04; B65D 33/00; B65D 33/02; B65D  
41/00; B65D 41/02; B65D 81/00; B65D  
47/00; B65D 47/02; B65D 47/04; B65D  
47/06

See application file for complete search history.

(56) **References Cited**

U.S. PATENT DOCUMENTS

D478,504 S *	8/2003	Crozet .....	D9/708
D680,446 S *	4/2013	Moynihan .....	D9/709
D680,880 S *	4/2013	Johnson .....	D9/709
D699,128 S *	2/2014	Moynihan .....	D9/707
D701,774 S *	4/2014	Steigelman .....	D9/703
D711,251 S *	8/2014	Epstein .....	D9/707
D785,462 S *	5/2017	Contessa .....	D9/702

\* cited by examiner

*Primary Examiner* — Abraham Bahta

(74) *Attorney, Agent, or Firm* — Theodore J. Bielen, Jr.

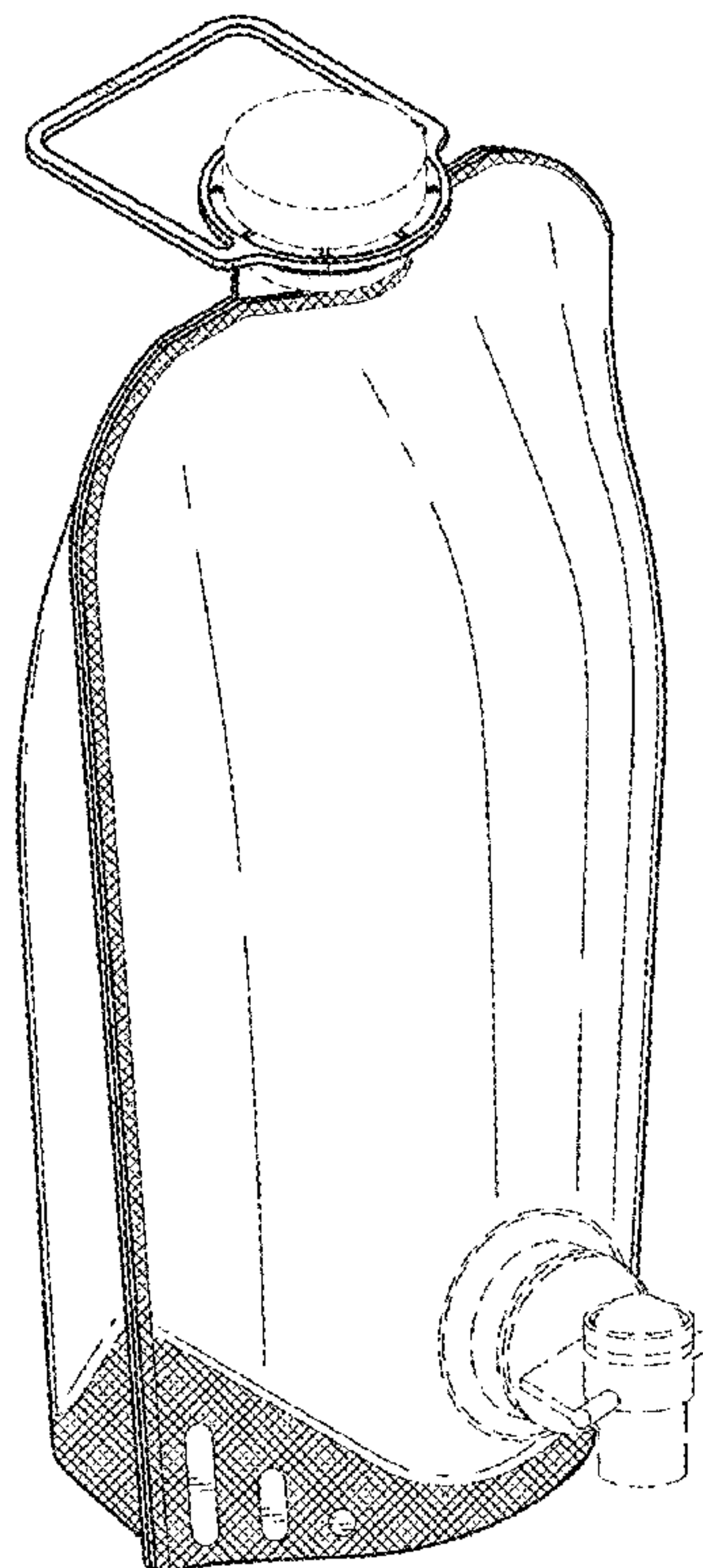
(57) **CLAIM**

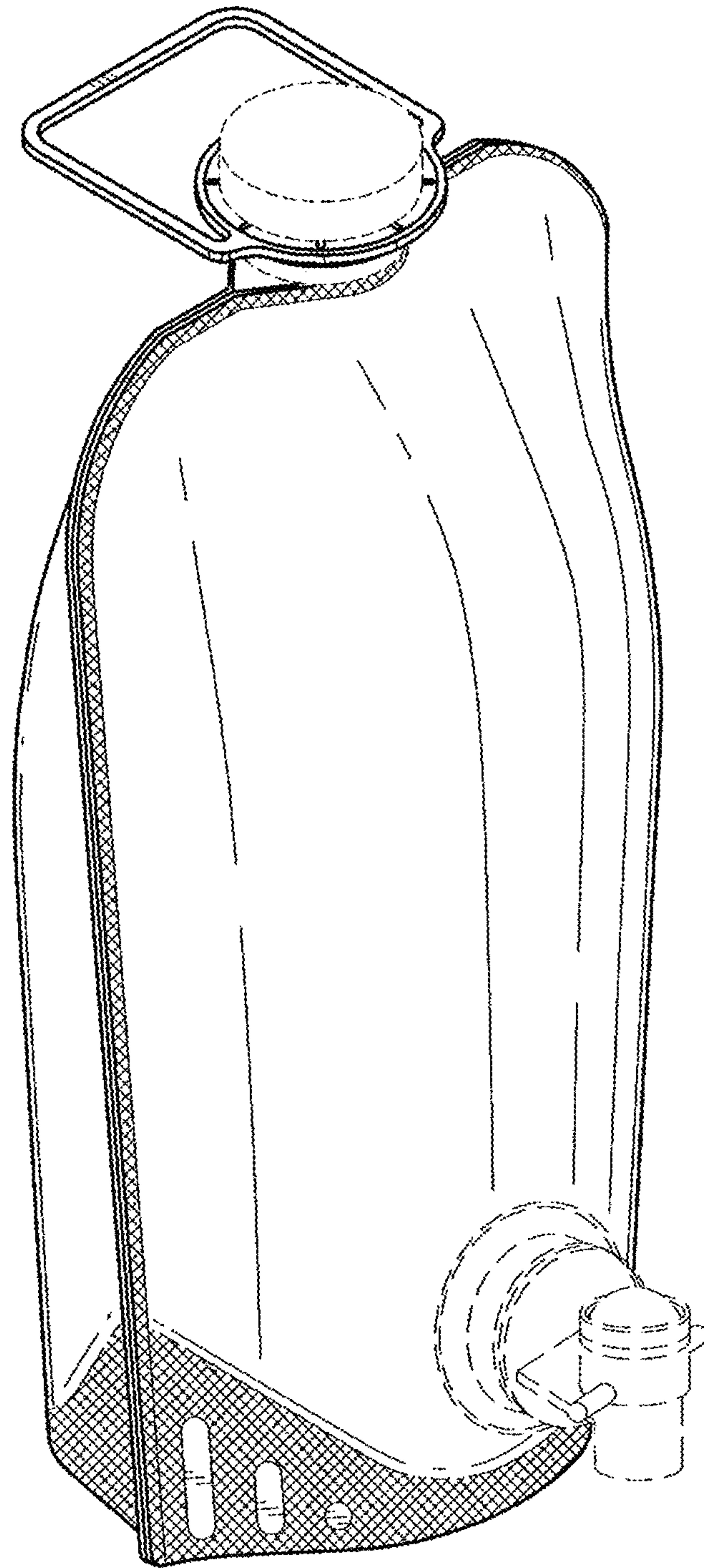
The ornamental design for a fluid container and dispenser, as shown and described.

**DESCRIPTION**

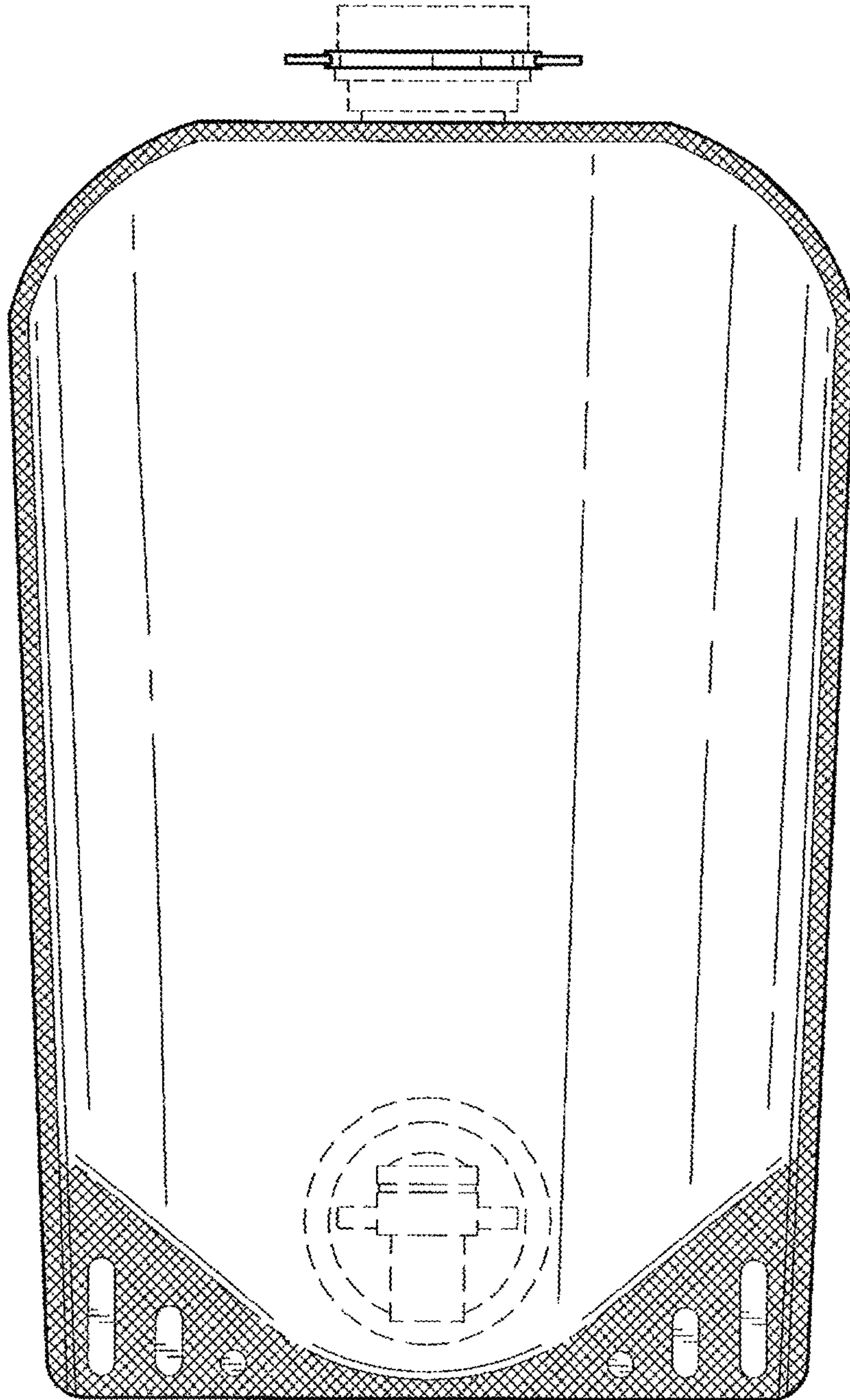
FIG. 1 is a top, left side perspective view of an embodiment of a fluid container and dispenser showing my new design; FIG. 2 is a front elevational view; FIG. 3 is a rear elevational view; FIG. 4 is a top plan view; FIG. 5 is a left side elevational view, the right side elevational view being a mirror image thereof; and, FIG. 6 is a bottom plan view.

**1 Claim, 6 Drawing Sheets**



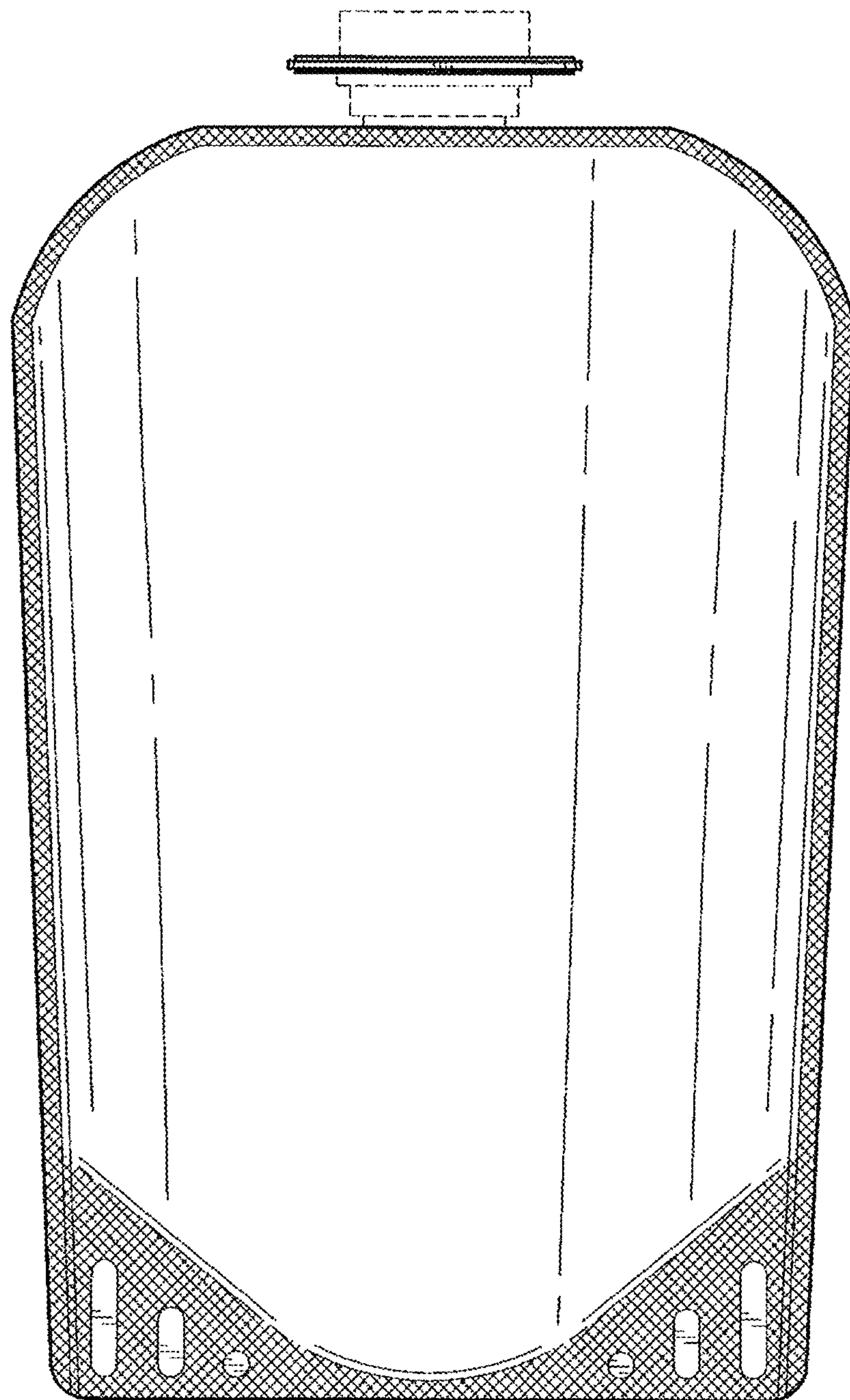


**FIG. 1**

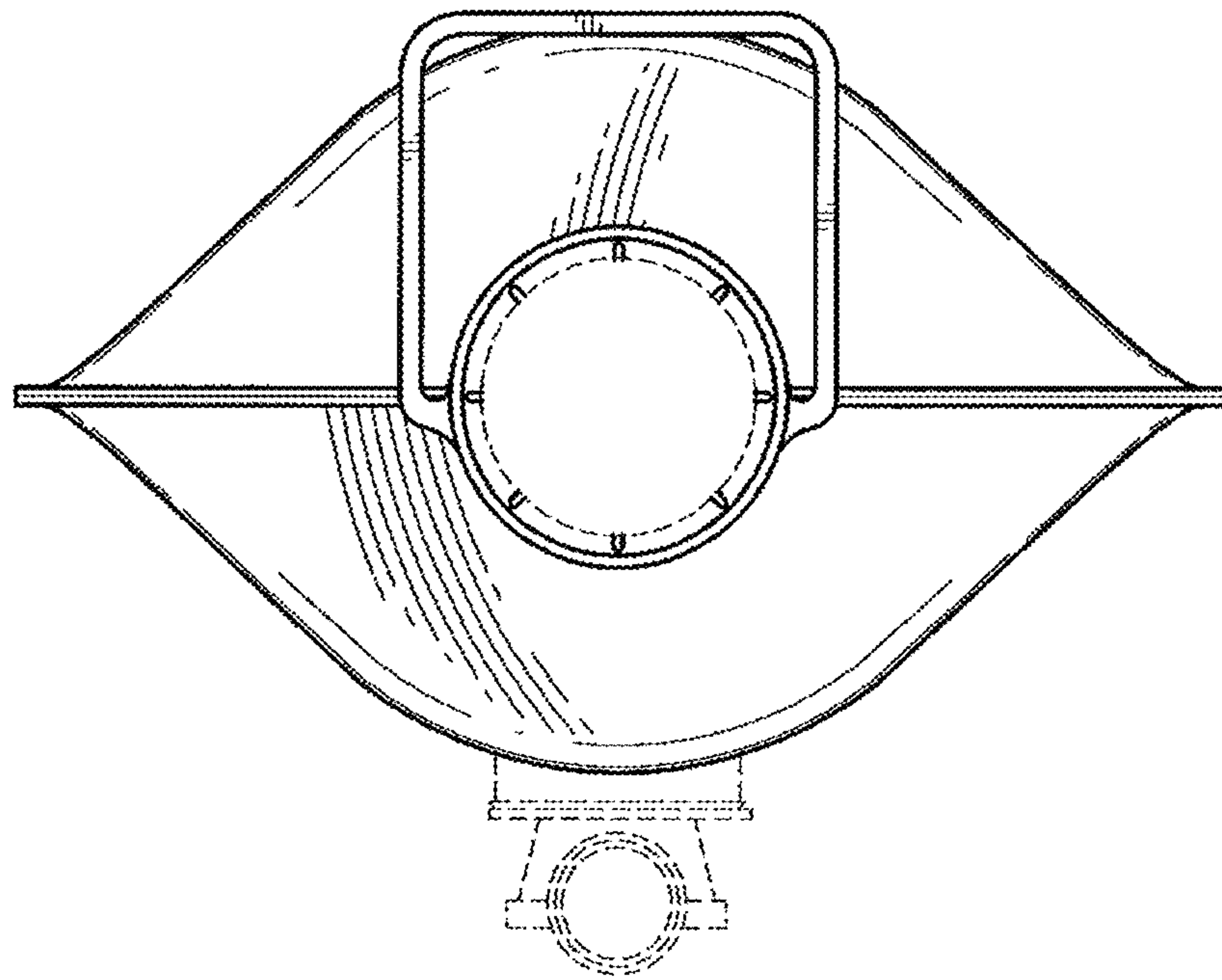


**FIG. 2**





**FIG. 3**



**FIG. 4**

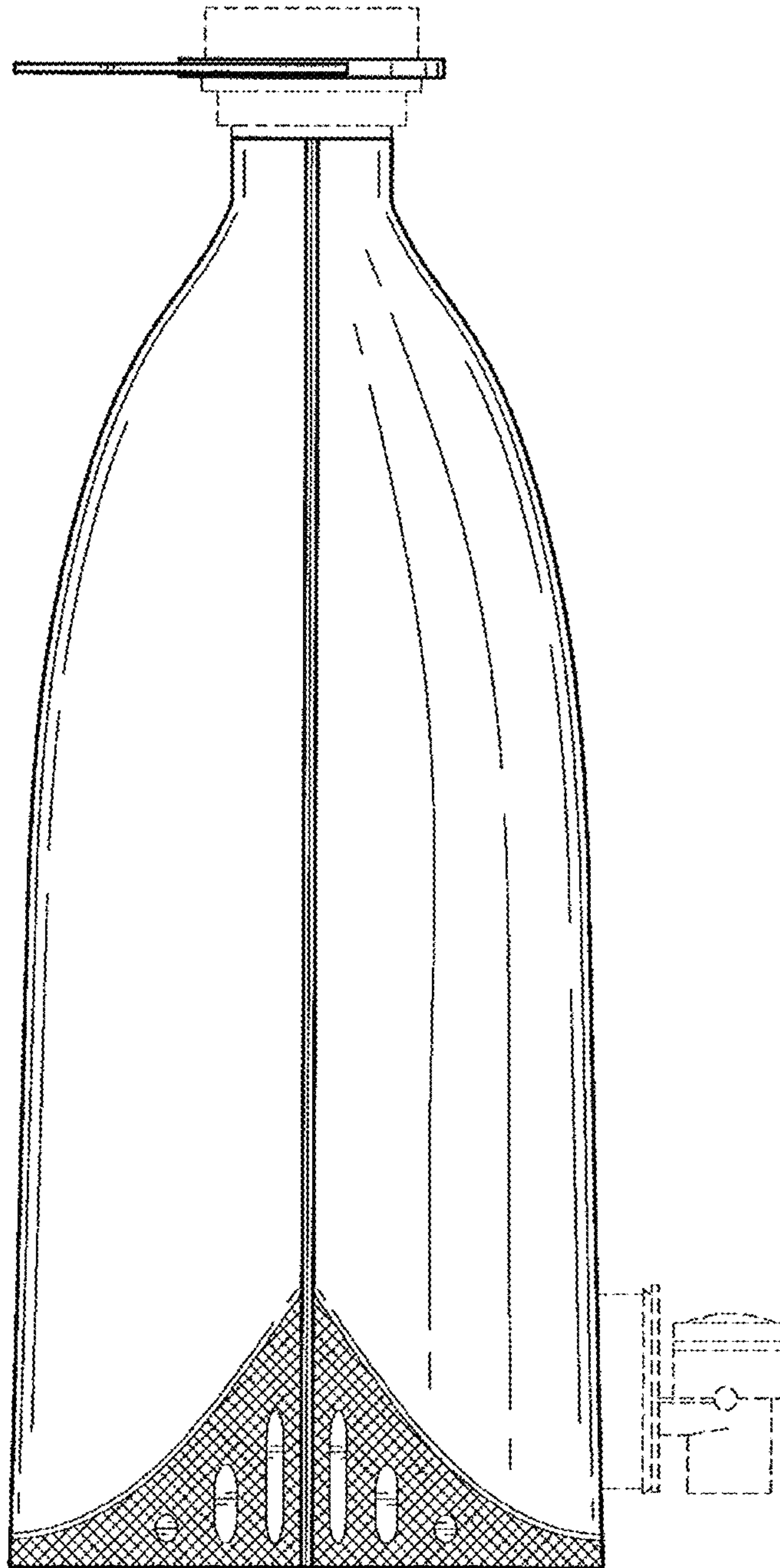
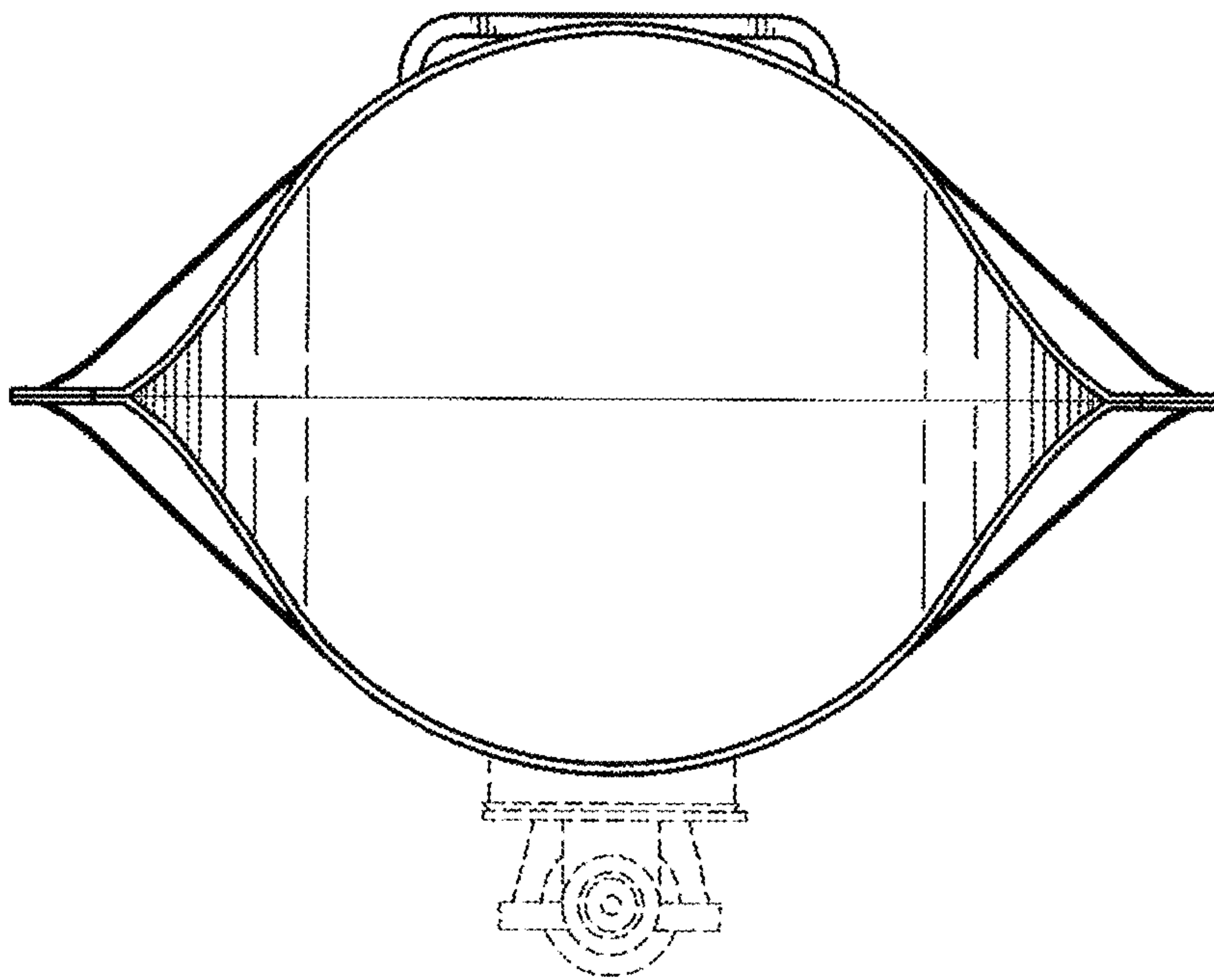


FIG. 5



**FIG. 6**