



US00D831498S

(12) **United States Design Patent**
Zhang

(10) **Patent No.:** **US D831,498 S**
(45) **Date of Patent:** **** Oct. 23, 2018**

(54) **FIREPROOF BAG**

(71) Applicant: **Zhi Ping Zhang**, Haining (CN)

(72) Inventor: **Zhi Ping Zhang**, Haining (CN)

(**) Term: **15 Years**

(21) Appl. No.: **29/600,962**

(22) Filed: **Apr. 17, 2017**

(51) **LOC (11) Cl.** **09-05**

(52) **U.S. Cl.**
USPC **D9/702**

(58) **Field of Classification Search**

USPC D9/702-714, 720-722, 414, 434-435,
D9/696, 716, 771, 447, 516-517,
D9/738-747, 544, 520-521; D24/118,
D24/207, 108; 383/6, 9, 22, 96, 61.1,
383/80-81, 104, 901, 63, 203, 107,
383/119-120, 123, 61.2, 44; 220/675,
220/495.03; 215/381-385, 400, 328, 316;
206/484; D3/202; 428/34.3, 920, 902;
222/92, 215, 95, 107; 604/408, 403, 415
CPC B65D 75/00; B65D 75/14; B65D 75/26;
B65D 75/5855; B65D 81/00; B65D
81/02; A61J 1/10; A61J 1/2089; A61J
1/201; A61J 1/2096; A62C 2/00; A62C
2/06; B32B 17/067; B32B 17/00

See application file for complete search history.

(56) **References Cited**

U.S. PATENT DOCUMENTS

1,811,150 A * 6/1931 Peyton B65D 29/00
109/33
7,718,433 B2 * 5/2010 Stecklein A61L 2/07
422/119

D730,195 S * 5/2015 Gonlag D9/703
D766,076 S * 9/2016 Yuan D9/415
D809,402 S * 2/2018 Hikida D9/713

* cited by examiner

Primary Examiner — Abraham Bahta

(57) **CLAIM**

The ornamental design for a fireproof bag, as shown and described.

DESCRIPTION

FIG. 1 is a front elevation view of a fireproof bag showing my new design;

FIG. 2 is a rear elevation view thereof;

FIG. 3 is a left side elevation view in reduce scale thereof;

FIG. 4 is a right side elevation view in reduce scale thereof;

FIG. 5 is a top plan view in enlarge scale thereof;

FIG. 6 is a bottom plan view in enlarge scale thereof;

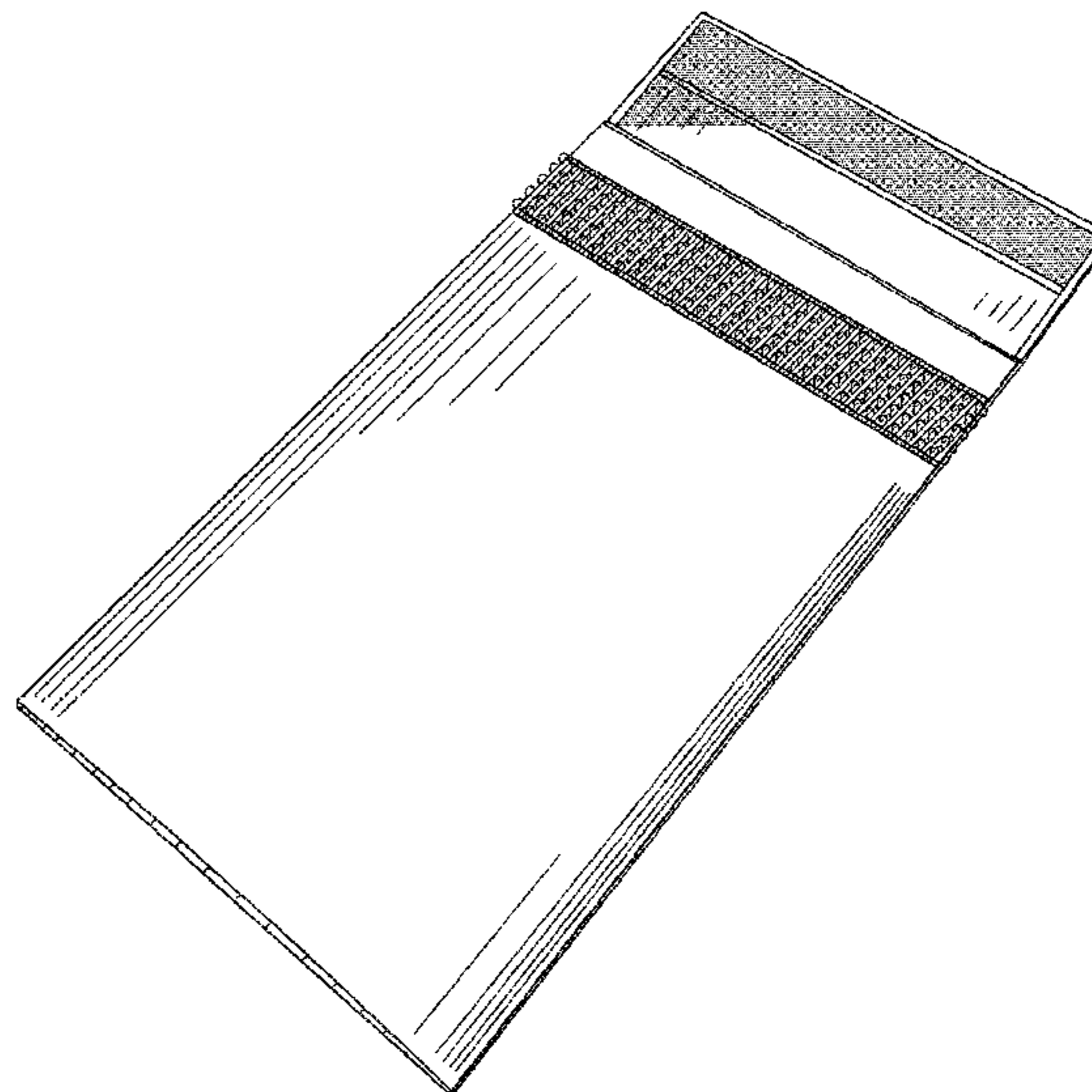
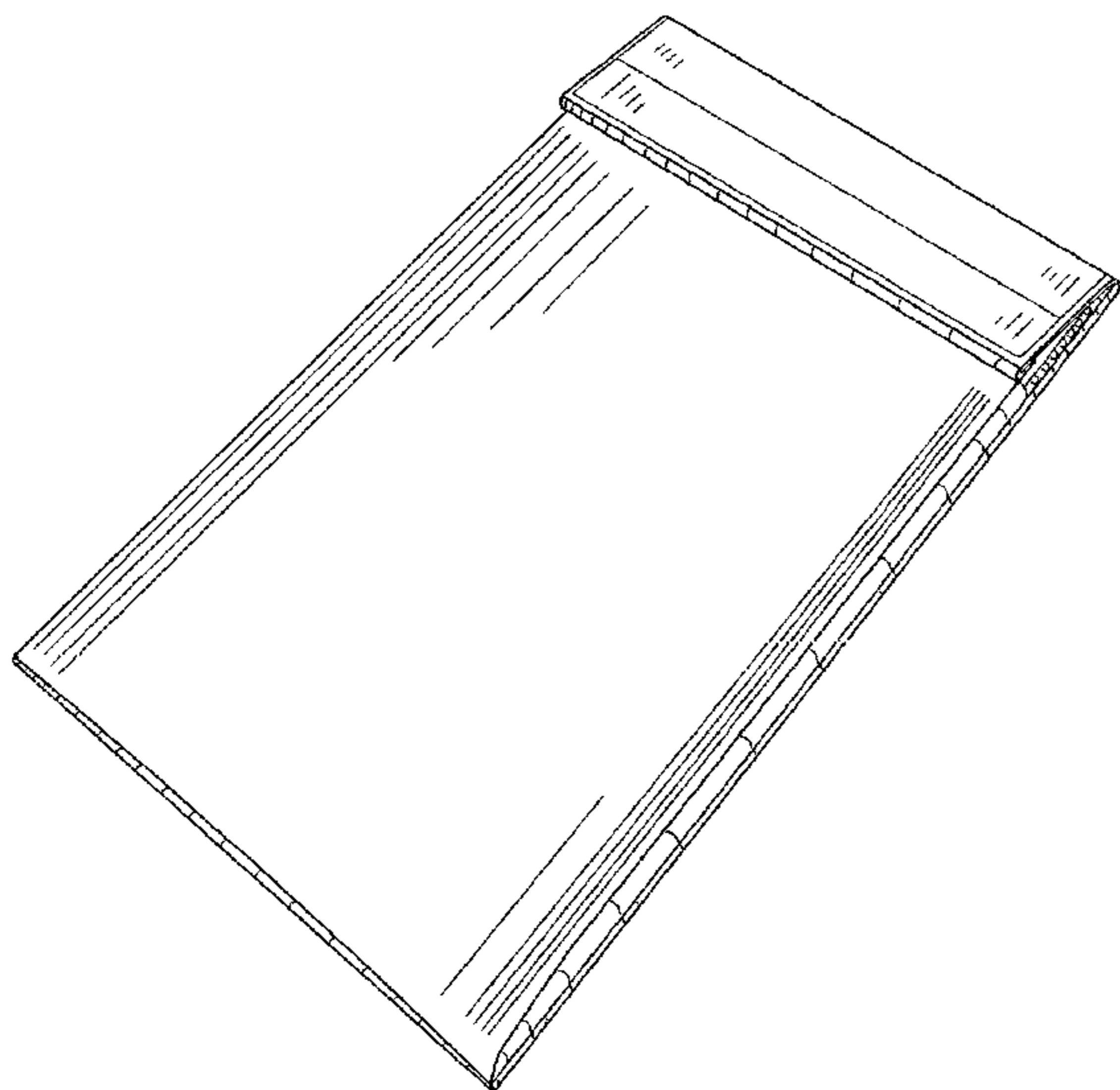
FIG. 7 is a sectional view thereof along line 7-7 in FIG. 4;

FIG. 8 is a bottom, front perspective view thereof; and,

FIG. 9 is a bottom, front perspective view of the fireproof bag in an open condition.

The features shown in broken lines in the various figures are shown for illustrating environmental structure and forming no part of the claimed design.

1 Claim, 7 Drawing Sheets



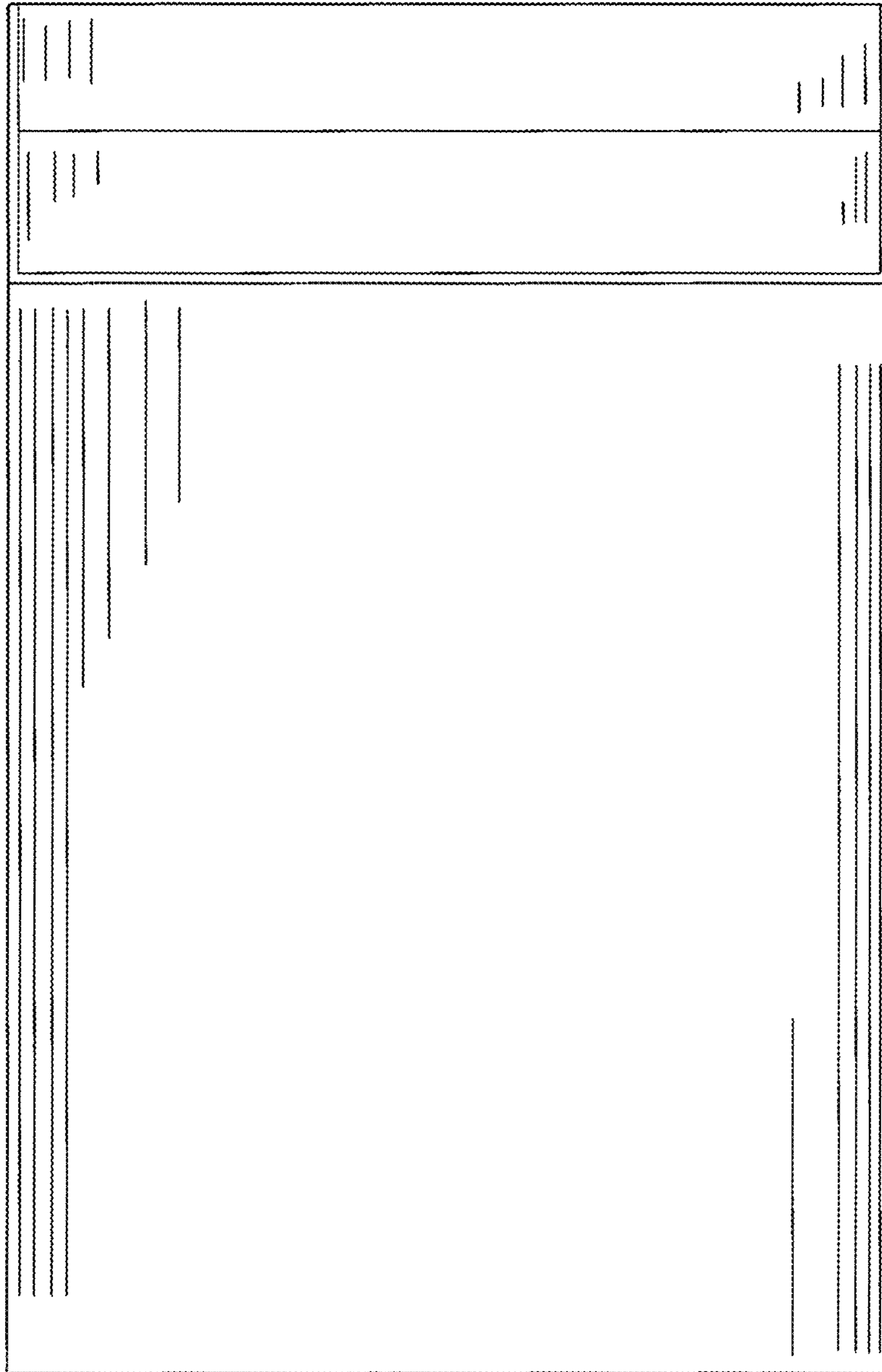


FIG. 1

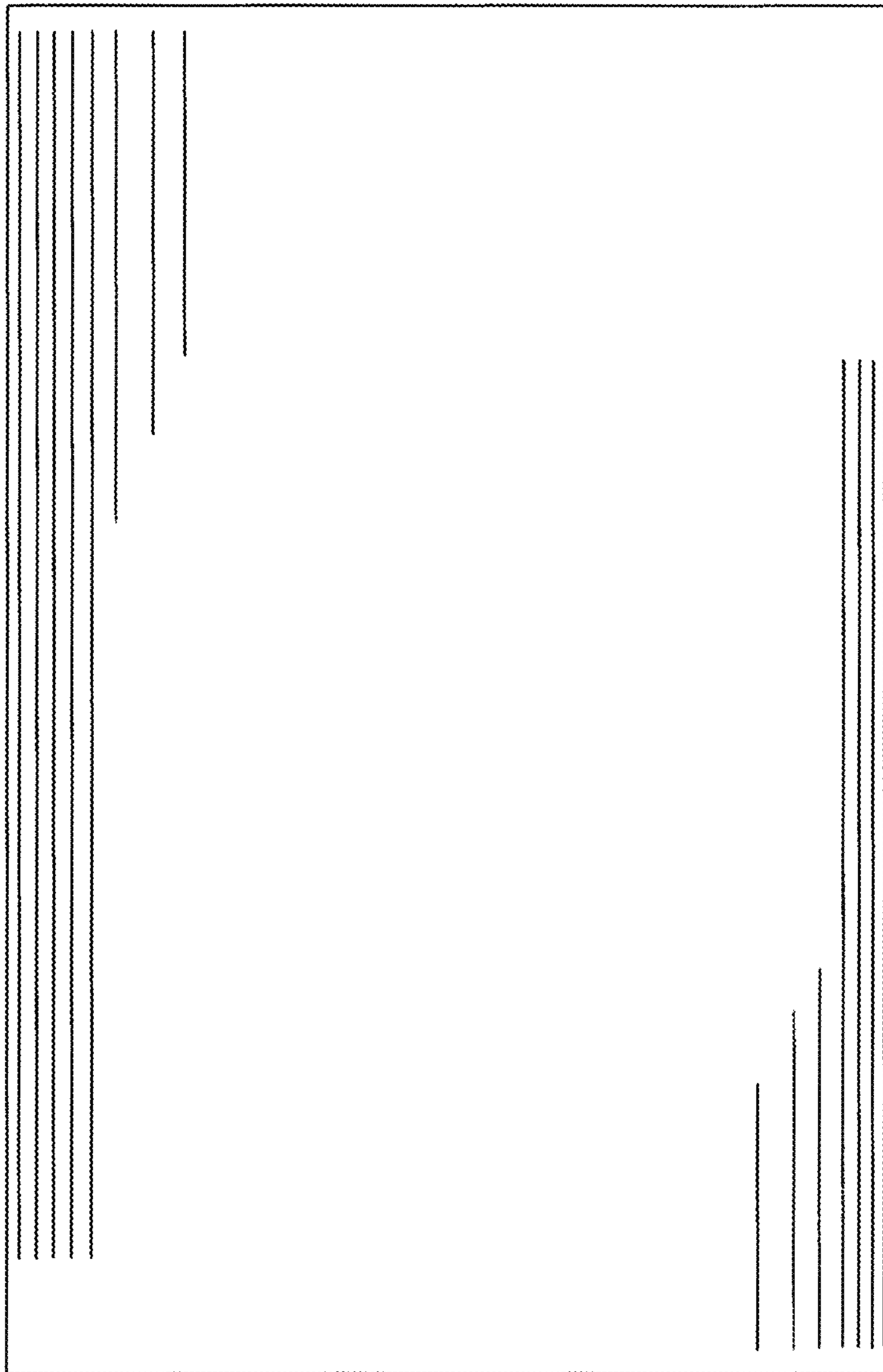


FIG.2

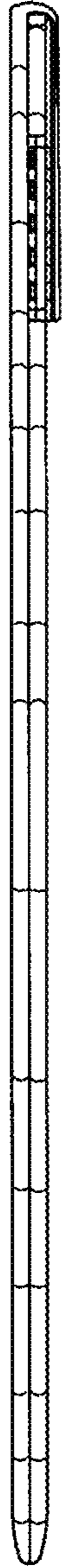


FIG. 3

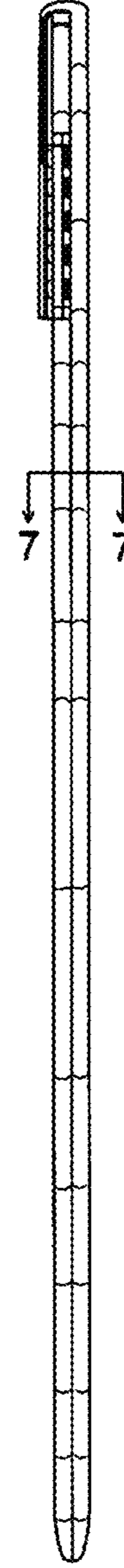


FIG. 4



FIG. 5

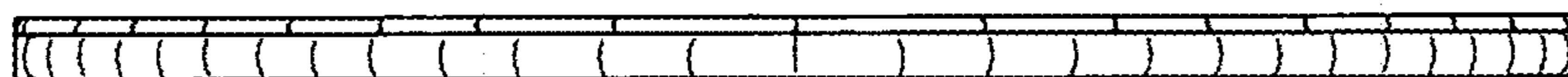


FIG. 6

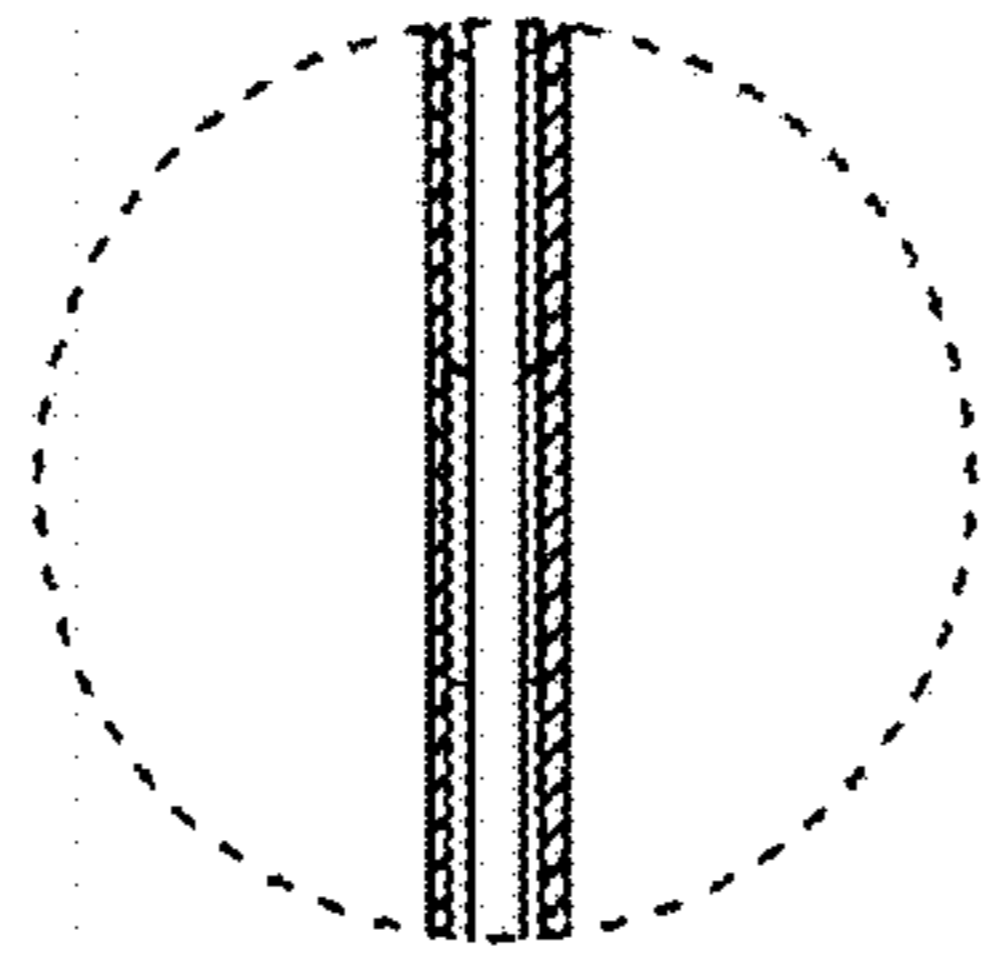


FIG. 7

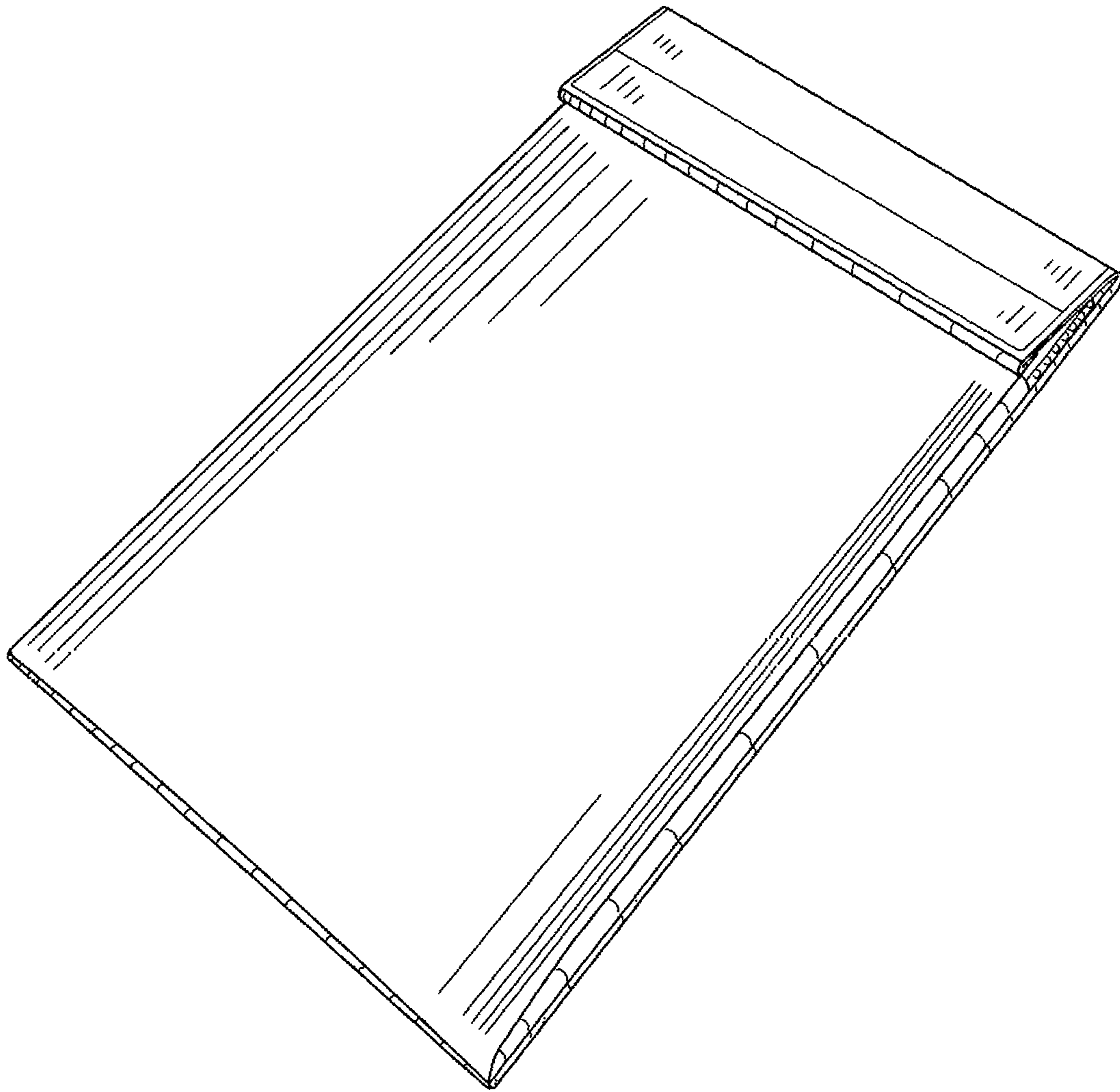


FIG.8

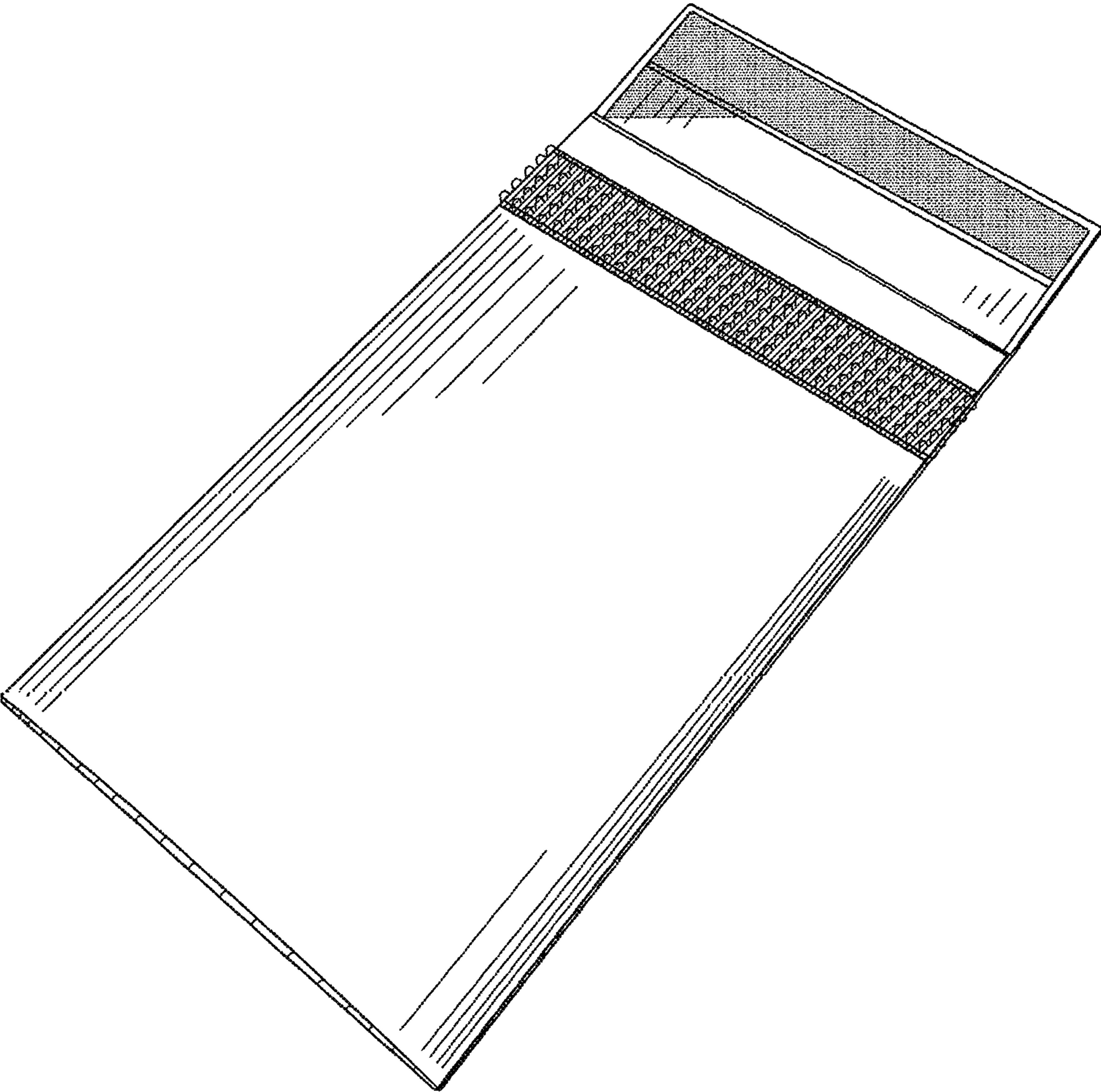


FIG.9