



US00D831494S

(12) **United States Design Patent**
Smith et al.

(10) **Patent No.:** **US D831,494 S**

(45) **Date of Patent:** **** Oct. 23, 2018**

(54) **BOTTLE**

(71) Applicant: **Sawyer Products, Inc.**, Safety Harbor,
FL (US)

(72) Inventors: **John T. Smith**, Dunedin, FL (US);
Christer Broman, Millersville, MD
(US)

(**) Term: **15 Years**

(21) Appl. No.: **29/616,002**

(22) Filed: **Sep. 1, 2017**

(51) **LOC (11) Cl.** **09-01**

(52) **U.S. Cl.**
USPC **D9/560; D9/574**

(58) **Field of Classification Search**
USPC D9/414, 430-432, 454, 516, 544, 546,
D9/559, 560, 572, 573
CPC B65D 1/0223; B65D 2501/0081; B65D
21/0202; B65D 2501/0027; B65D 15/22
See application file for complete search history.

(56) **References Cited**

U.S. PATENT DOCUMENTS

D282,910 S *	3/1986	Biesecker	D9/560
D396,006 S *	7/1998	Harris	D9/447
D422,357 S *	4/2000	Niedospial, Jr.	D24/118
D433,332 S *	11/2000	Weber	D9/434
6,216,942 B1 *	4/2001	Kittscher	B65D 23/0857 215/12.1
D447,410 S *	9/2001	Malmberg	D9/434

D448,306 S *	9/2001	de Giovellina	D9/560
D453,472 S *	2/2002	Kwong	D9/447
D491,069 S *	6/2004	Heliste	D9/560
D500,681 S *	1/2005	Uchiyama	D9/560
D523,346 S *	6/2006	Andoh	D9/543
D526,206 S *	8/2006	Varlet	D9/560
D537,726 S *	3/2007	Elgebrant	D9/560
D717,661 S *	11/2014	McIntire	D9/560
D728,783 S *	5/2015	Logue	D24/121
D735,046 S *	7/2015	De Lorme	D9/560
D736,641 S *	8/2015	Manne	D9/560
D779,335 S *	2/2017	Chia	D9/560
D815,952 S *	4/2018	Chung	D9/560
2012/0248003 A1 *	10/2012	Hunter	B65D 1/0223 206/524.6

* cited by examiner

Primary Examiner — Ian Simmons

Assistant Examiner — Keith Frank

(57) **CLAIM**

The ornamental design for a bottle, as shown and described.

DESCRIPTION

FIG. 1 is a front perspective view of a bottle showing my design;

FIG. 2 is a front view thereof;

FIG. 3 is a rear view thereof;

FIG. 4 is a left side view thereof;

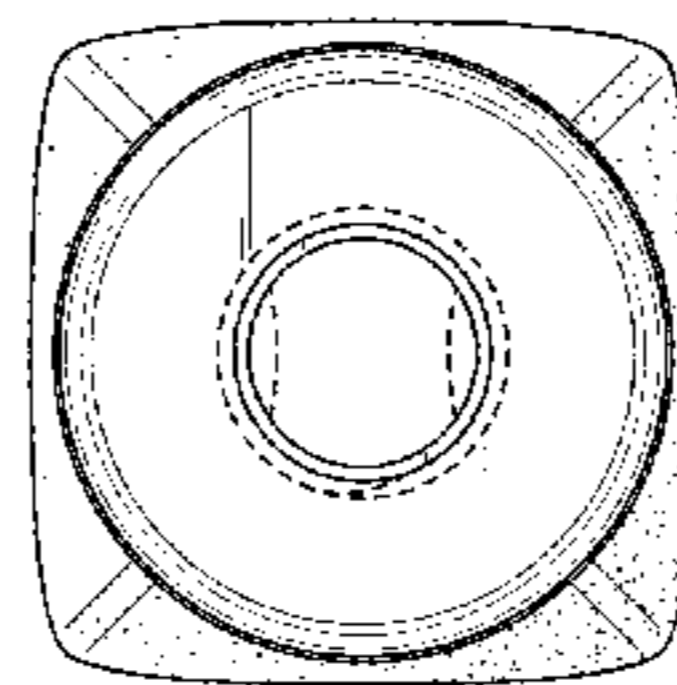
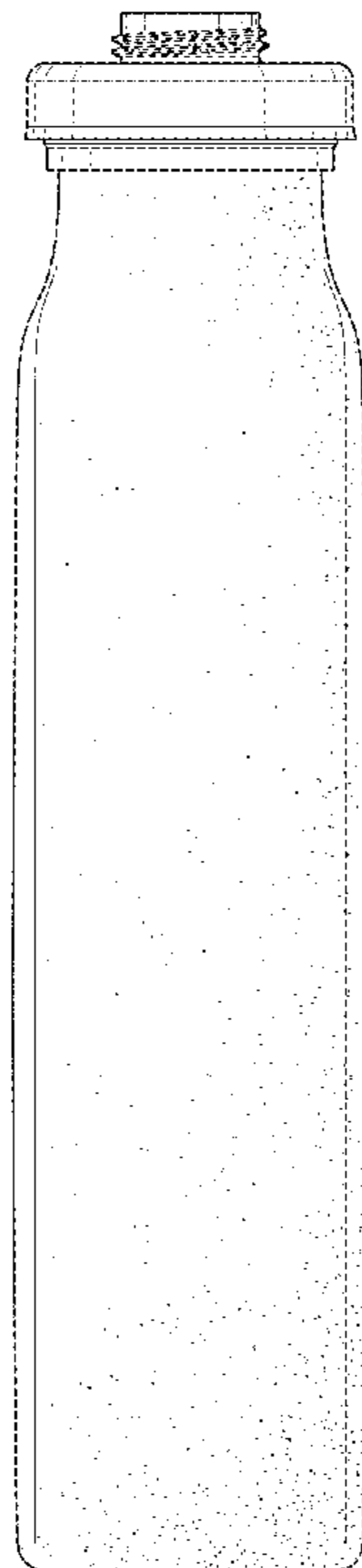
FIG. 5 is a right side view thereof;

FIG. 6 is a top view thereof; and,

FIG. 7 is a bottom view thereof.

The broken lines in the drawings showing the bottle illustrate the portions of the bottle that form no part of the claimed design.

1 Claim, 7 Drawing Sheets



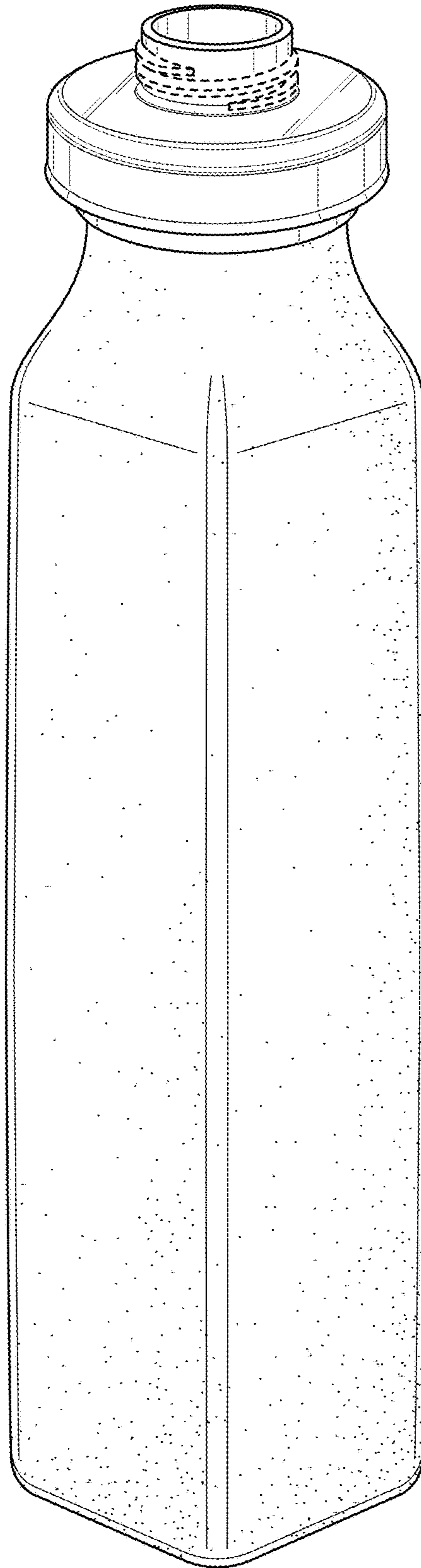


FIG. 1

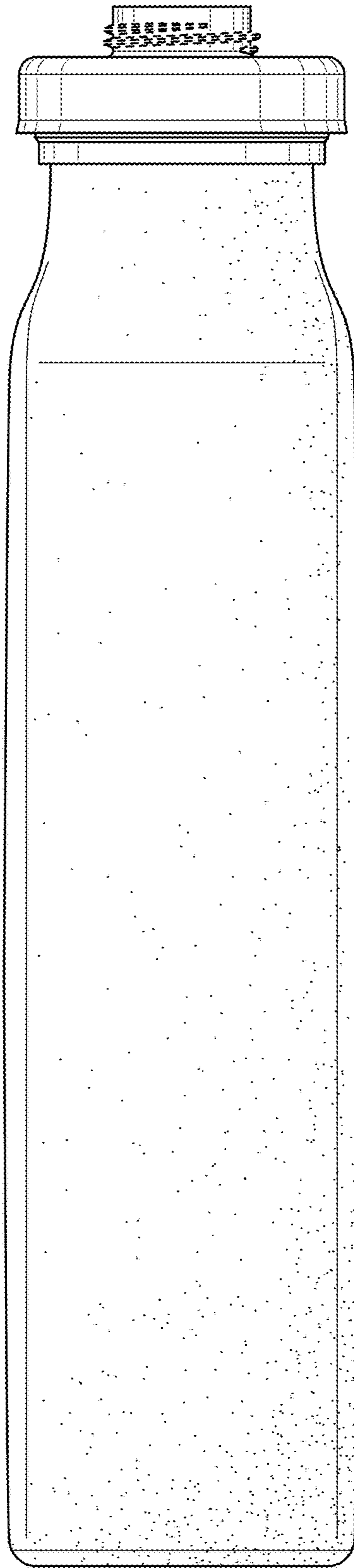


FIG. 2

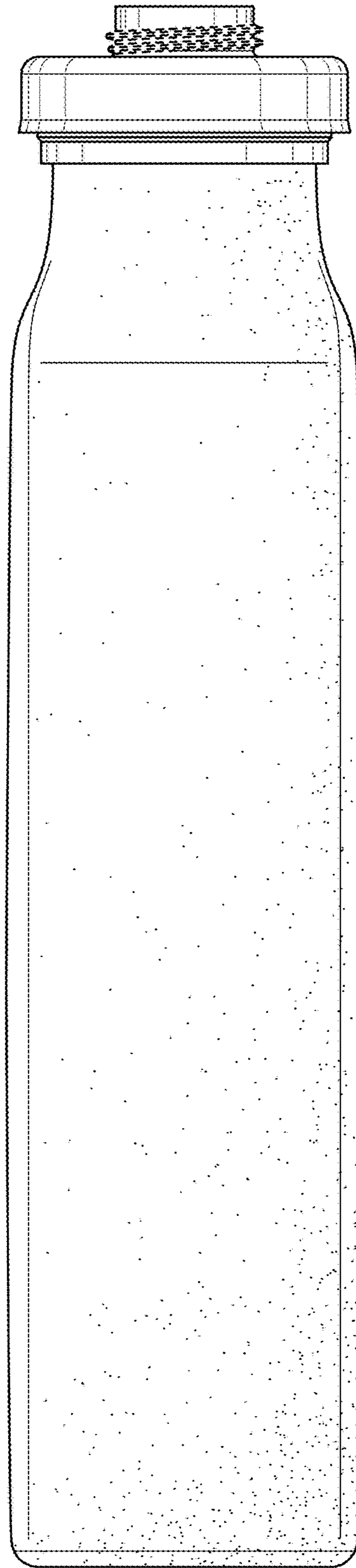


FIG. 3

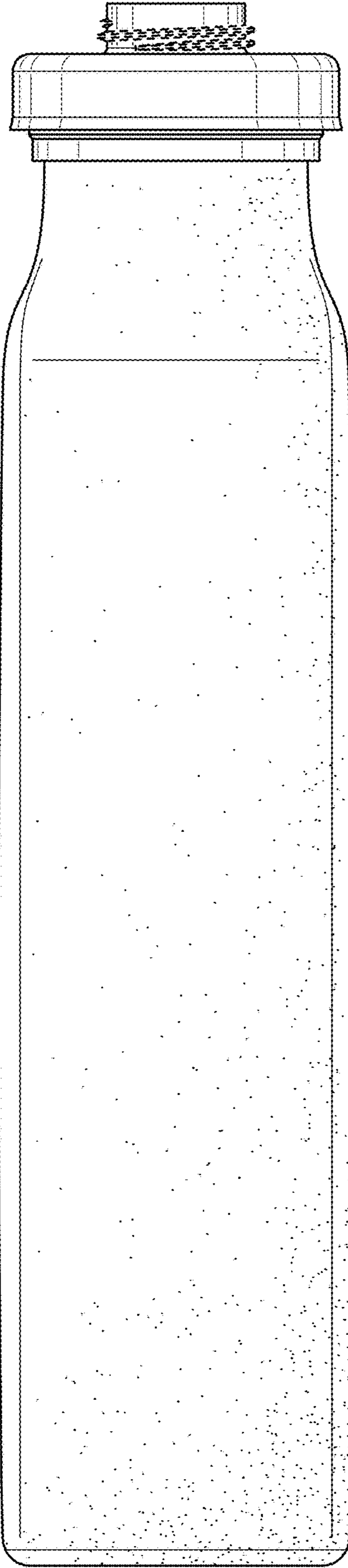


FIG. 4

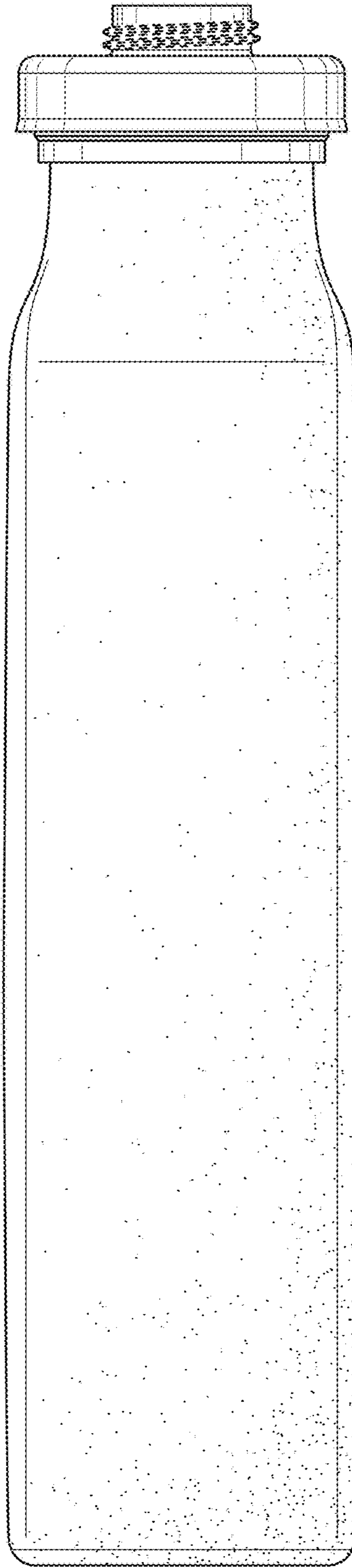


FIG. 5

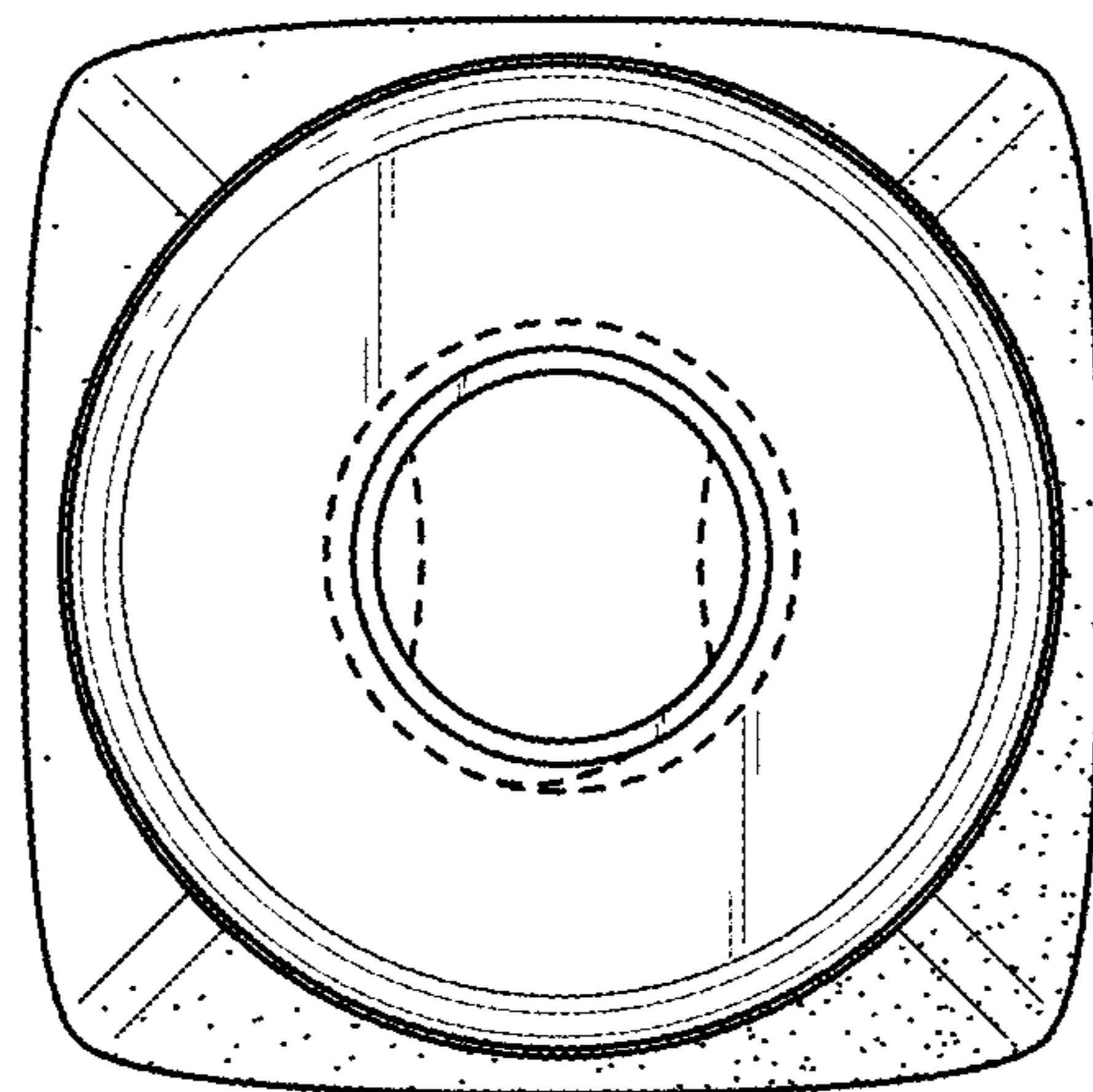


FIG. 6

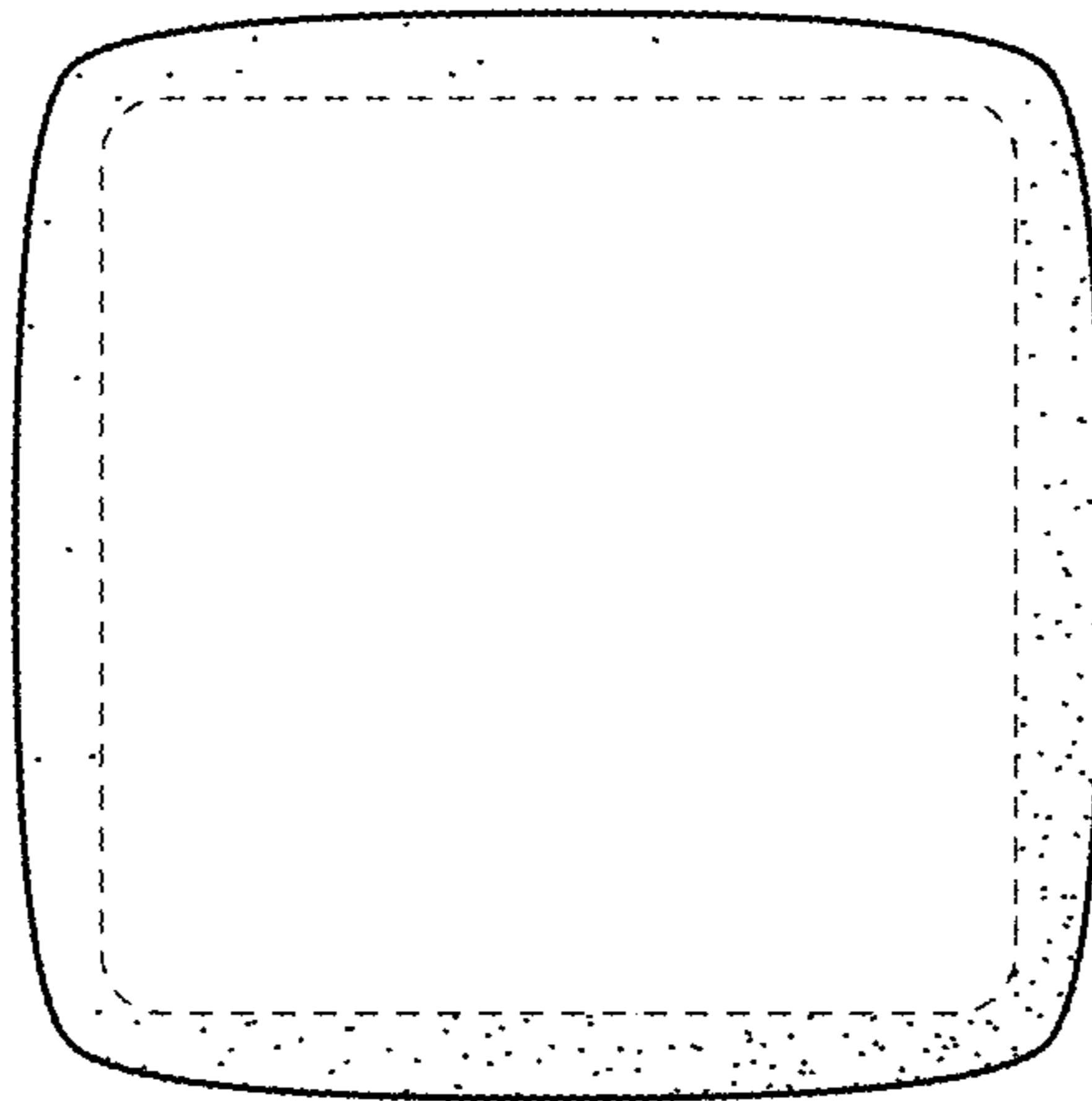


FIG. 7