



US00D831490S

(12) **United States Design Patent** (10) **Patent No.:** **US D831,490 S**  
**Baker et al.** (45) **Date of Patent:** **\*\* Oct. 23, 2018**

(54) **CONTAINER WITH CLOSURE**

FOREIGN PATENT DOCUMENTS

(71) Applicant: **Big Heart Pet Brands**, San Francisco, CA (US)

CN 201080264 Y 7/2008  
CN 302879792 7/2014

(Continued)

(72) Inventors: **Paul Baker**, Concord, CA (US);  
**Andrew Templeman**, Concord, CA (US); **Nicholas White**, Danville, CA (US); **Scott McCoy**, Danville, CA (US); **Jamie Lasser**, San Francisco, CA (US); **Paris Alexander Edwards Lowitz**, San Francisco, CA (US); **Michael Lee Allen**, Chicago, IL (US); **Christopher Steven Hart**, Chicago, IL (US)

OTHER PUBLICATIONS

Dahltech Inc. (website) <http://www.dahltechplastics.com/juirect.htm>, Aug. 14, 2012.

(Continued)

*Primary Examiner* — Dana Meyrow  
(74) *Attorney, Agent, or Firm* — Michael A. Olshavsky

(73) Assignee: **BIG HEART PET, INC.**, Orrville, OH (US)

(57) **CLAIM**

The ornamental designs for a container with closure, as shown and described.

(\*\*) Term: **14 Years**

**DESCRIPTION**

(21) Appl. No.: **29/515,656**

FIG. 1 is a top, front right side perspective view of a container with closure illustrating our new design; FIG. 2 is a bottom, front, left side perspective view thereof; FIG. 3 is a front elevation view thereof; FIG. 4 is a left side elevation view thereof; FIG. 5 is a right side elevation view thereof; FIG. 6 is a rear elevation view thereof; FIG. 7 is a top plan view thereof; FIG. 8 is a bottom plan view thereof; FIG. 9 is an enlarged detail bottom perspective view of the front of the container with closure; FIG. 10 is an enlarged detail top perspective view of the front of the container with closure; FIG. 11 is a partial cross-section view taken along the line 11-11 in FIG. 3; and, FIG. 12 is a partial cross-section view taken along the line 12-12 in FIG. 3.

(22) Filed: **Jan. 26, 2015**

(51) **LOC (11) Cl.** ..... **09-01**

(52) **U.S. Cl.**  
USPC ..... **D9/529; D9/449; D9/451; D9/560; D9/565; D9/575**

(58) **Field of Classification Search**  
USPC ..... D9/434–435, 447, 449, 451, 516, 529, D9/560, 565, 571, 574–575, 600–601,  
(Continued)

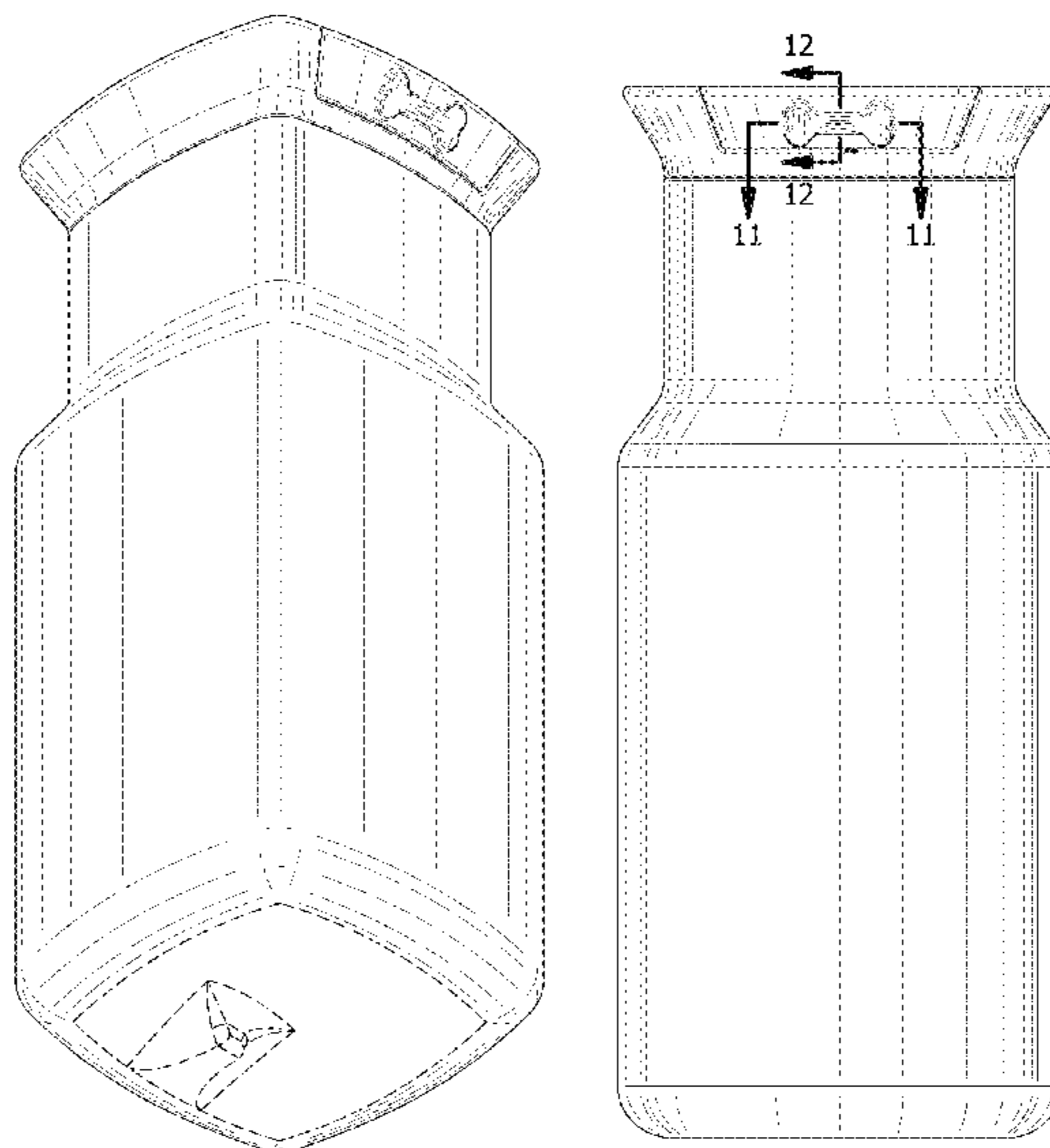
(56) **References Cited**

U.S. PATENT DOCUMENTS

D25,402 S 4/1896 Nelson  
D202,220 S 9/1965 DuPree  
(Continued)

The evenly-dashed broken lines in the drawings illustrate the portions of the container with closure that form no part of the claim. The dot-dash-dot broken lines in the drawings define the bounds of the claims and also form no part thereof.

**1 Claim, 9 Drawing Sheets**



(58) **Field of Classification Search**

USPC ..... D9/614, 620, 626, 715, 719, 420, 423,  
D9/607  
CPC ..... B65D 1/00; B65D 1/02; B65D 1/0223;  
B65D 23/00; B65D 81/00; B65D  
2501/00; B65D 2501/0009; B65D  
2501/0081

See application file for complete search history.

(56) **References Cited**

U.S. PATENT DOCUMENTS

D214,877 S *	8/1969	Biallo et al. ....	D9/529
D431,193 S	9/2000	Shanahan	
D456,272 S *	4/2002	Sadeghi .....	D9/560
6,802,418 B2 *	10/2004	Atkinson .....	B65D 25/22 206/278
D502,099 S	2/2005	Lovell	
D538,160 S	3/2007	Liebe et al.	
D547,875 S	7/2007	Pillado	
D580,769 S	11/2008	Lloyd et al.	
D590,720 S *	4/2009	Oates .....	D9/560
D592,966 S *	5/2009	Nissen .....	D9/560
D606,801 S *	12/2009	Kirk .....	D7/354
D611,759 S *	3/2010	Kirk .....	D7/354
D613,495 S *	4/2010	Foreman .....	D3/203.2
D622,591 S *	8/2010	Biesecker .....	D9/435
7,959,022 B2	6/2011	Kerman et al.	
D646,976 S	10/2011	Lovegrove	
D662,817 S	7/2012	Andres et al.	
D662,818 S	7/2012	Andres et al.	
D664,440 S	7/2012	Rodriguez	
D668,158 S *	10/2012	Gridley .....	D9/418
D689,323 S *	9/2013	Endres .....	D7/352
D698,250 S	1/2014	Wade et al.	
D698,251 S	1/2014	Wade et al.	

D701,768 S	4/2014	Baker	
D702,484 S *	4/2014	Endres .....	D7/354
D702,485 S *	4/2014	Endres .....	D7/354
D705,074 S	5/2014	DellaValle	
D709,733 S	7/2014	Rinderer et al.	
D716,142 S	10/2014	Kuijendijk	
D727,156 S *	4/2015	Lavigne .....	D9/516
D739,250 S *	9/2015	Rohit .....	D9/529
D756,234 S *	5/2016	Orset .....	D9/560
D780,588 S *	3/2017	Miller .....	D9/530
D784,134 S *	4/2017	Bristow .....	D9/449
D786,086 S *	5/2017	Miller .....	D9/560
D786,674 S *	5/2017	Miller .....	D9/446
D786,683 S *	5/2017	Miller .....	D9/529
D792,233 S *	7/2017	Miller .....	D9/560
D798,149 S *	9/2017	Angeloni .....	D9/449
D798,160 S *	9/2017	Miller .....	D9/560

FOREIGN PATENT DOCUMENTS

CN	302887238	7/2014
CN	302922465	8/2014
CN	302929401	9/2014
JP	2013010558	1/2013
KR	300760123.0000	9/2014

OTHER PUBLICATIONS

SKS Bottle & Packaging: Plastic Bottles, Clear Square PET Bottles with white Child Resistant Caps (website) <https://www.sks-bottle.com/340c/fin18p.html>, Oct. 22, 2003.

SolidWorks 2014 New Features Applied to Real Design Problems <https://www.design-point.com/solidworks-2014-new-features-applied-to-real-design-problems.aspx>, Jul. 9, 2013.

\* cited by examiner

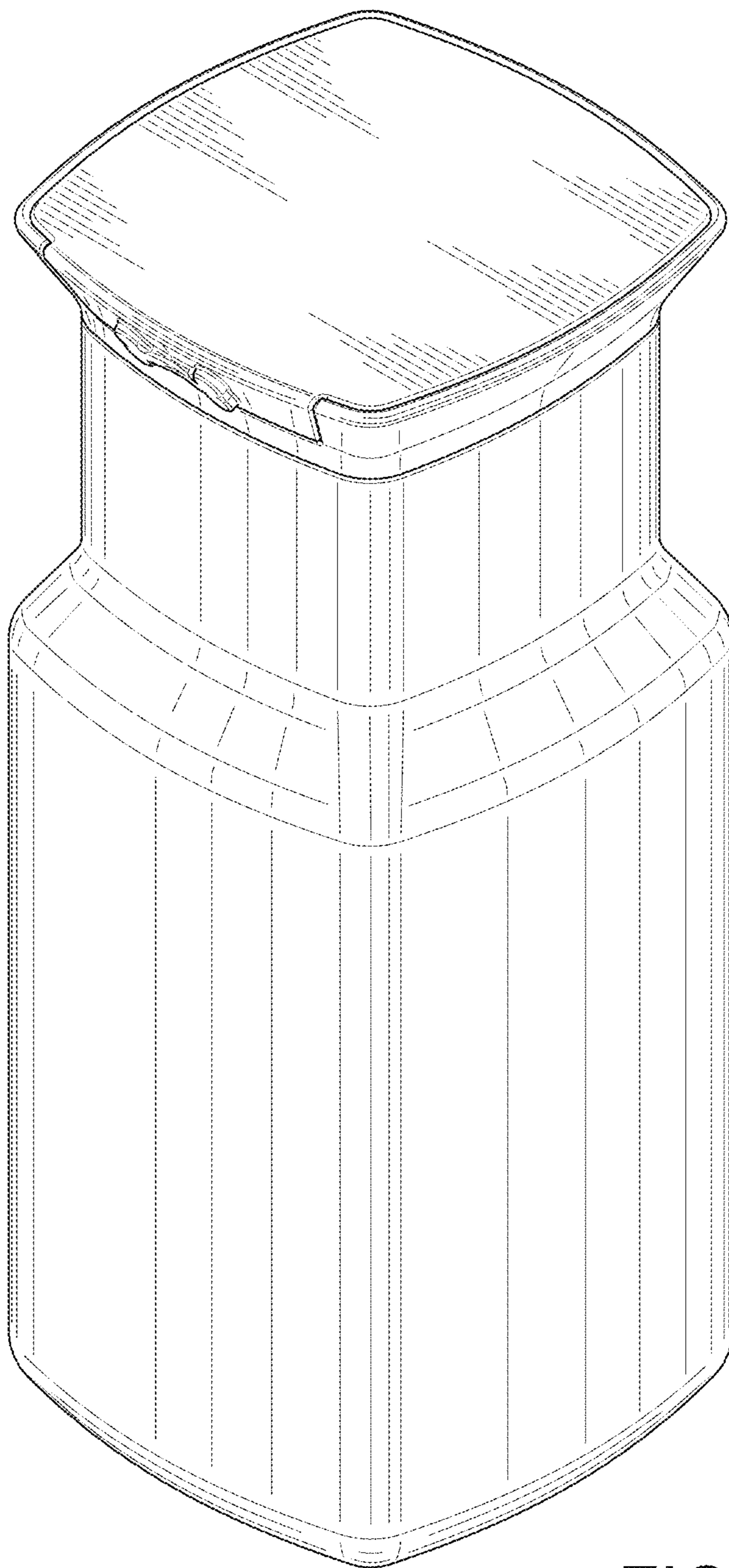


FIG. 1

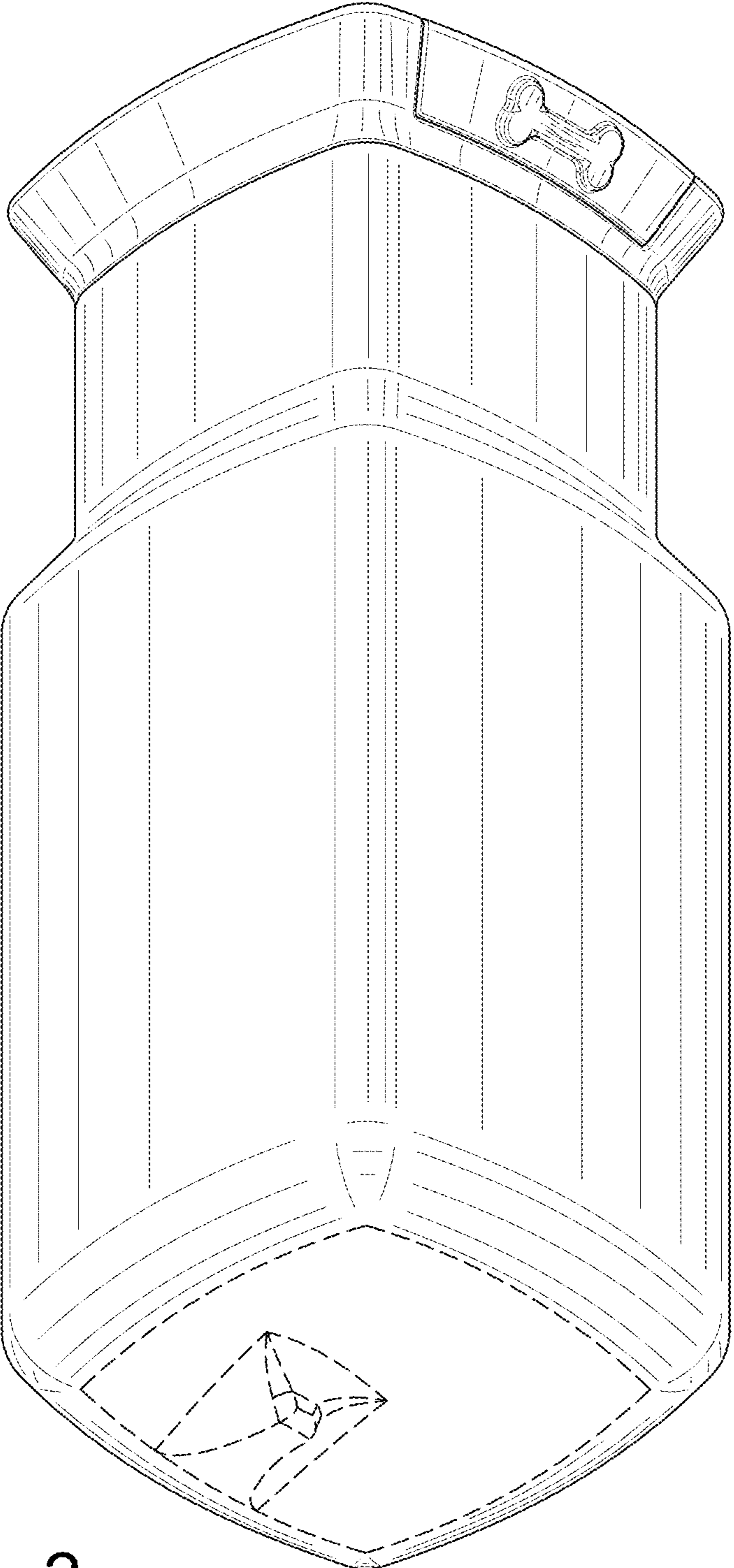


FIG. 2

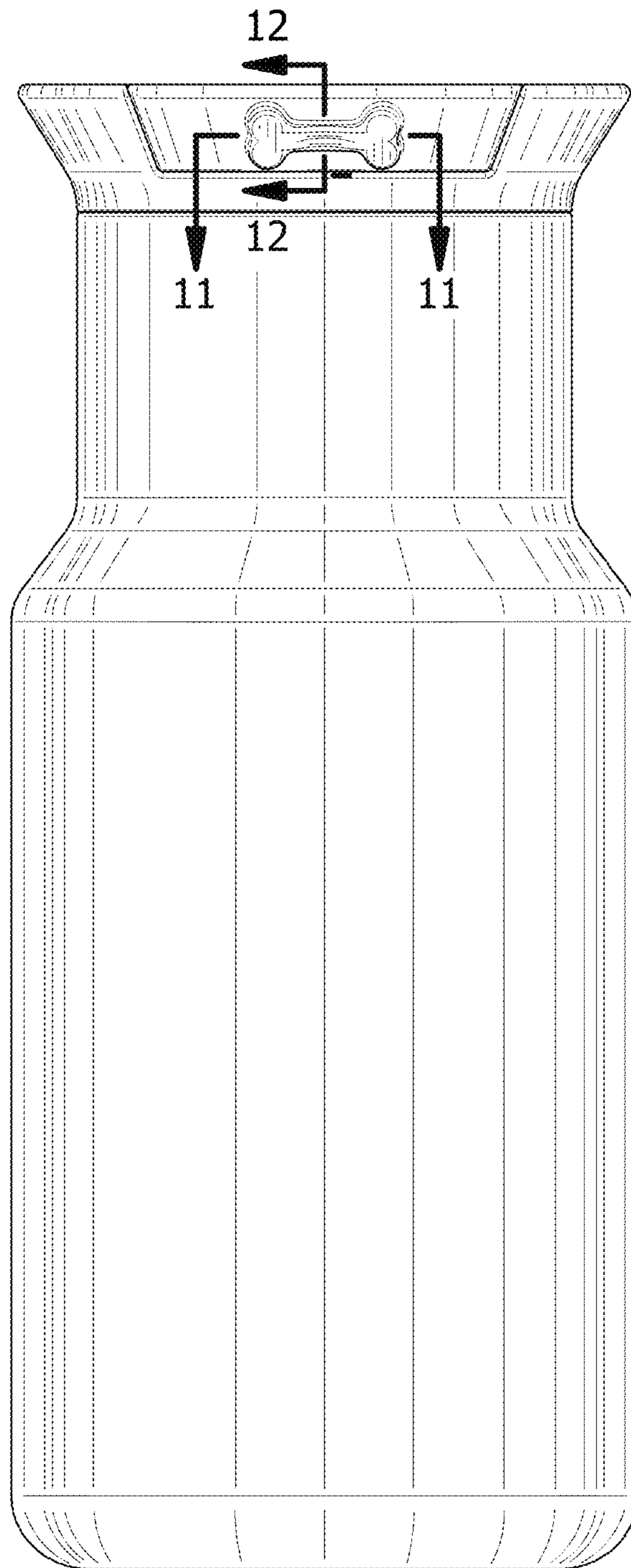


FIG. 3

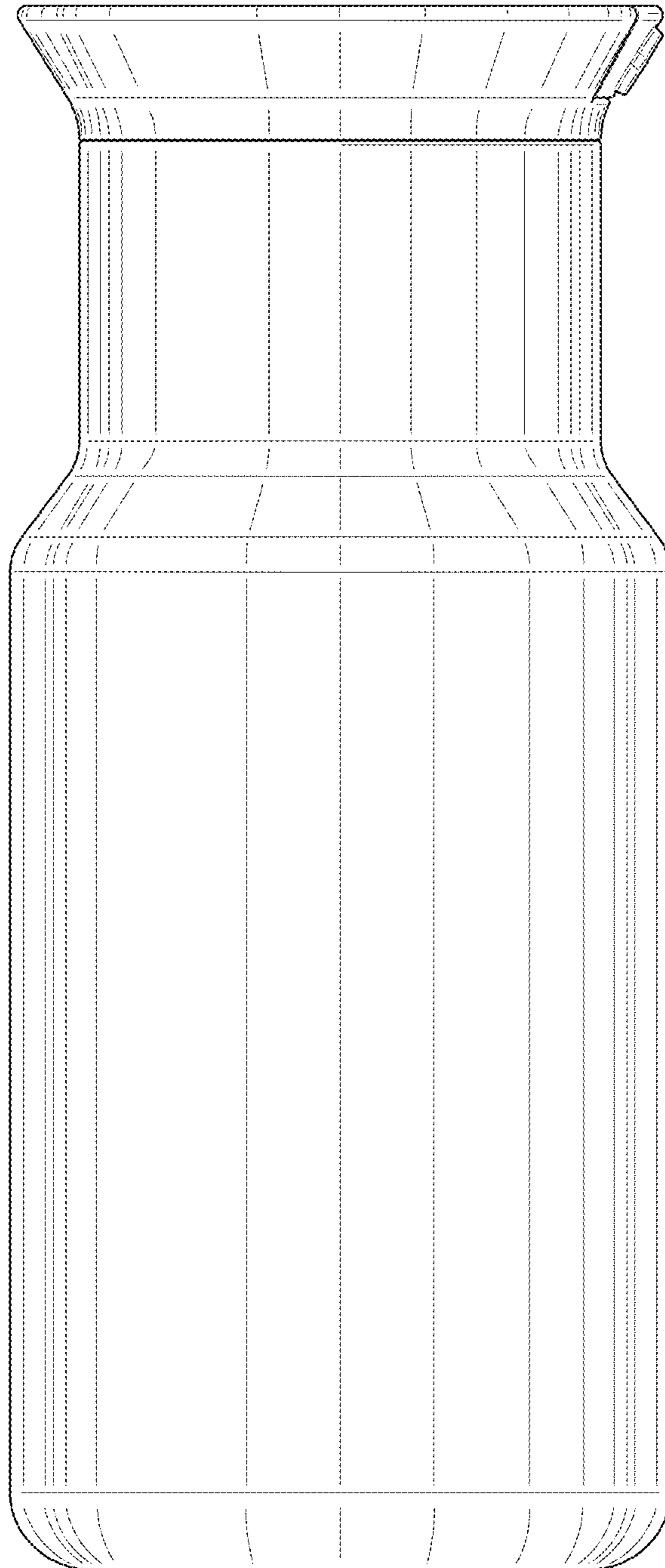


FIG. 4

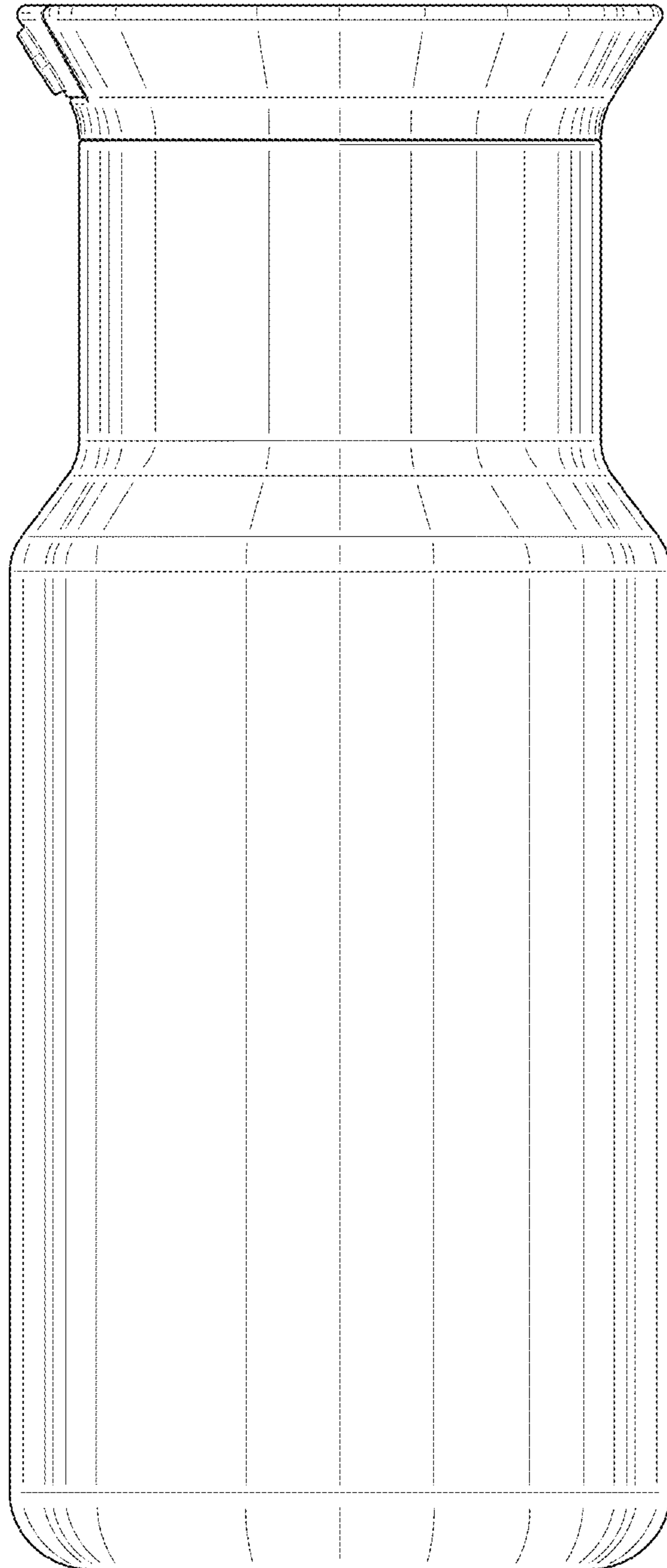


FIG. 5

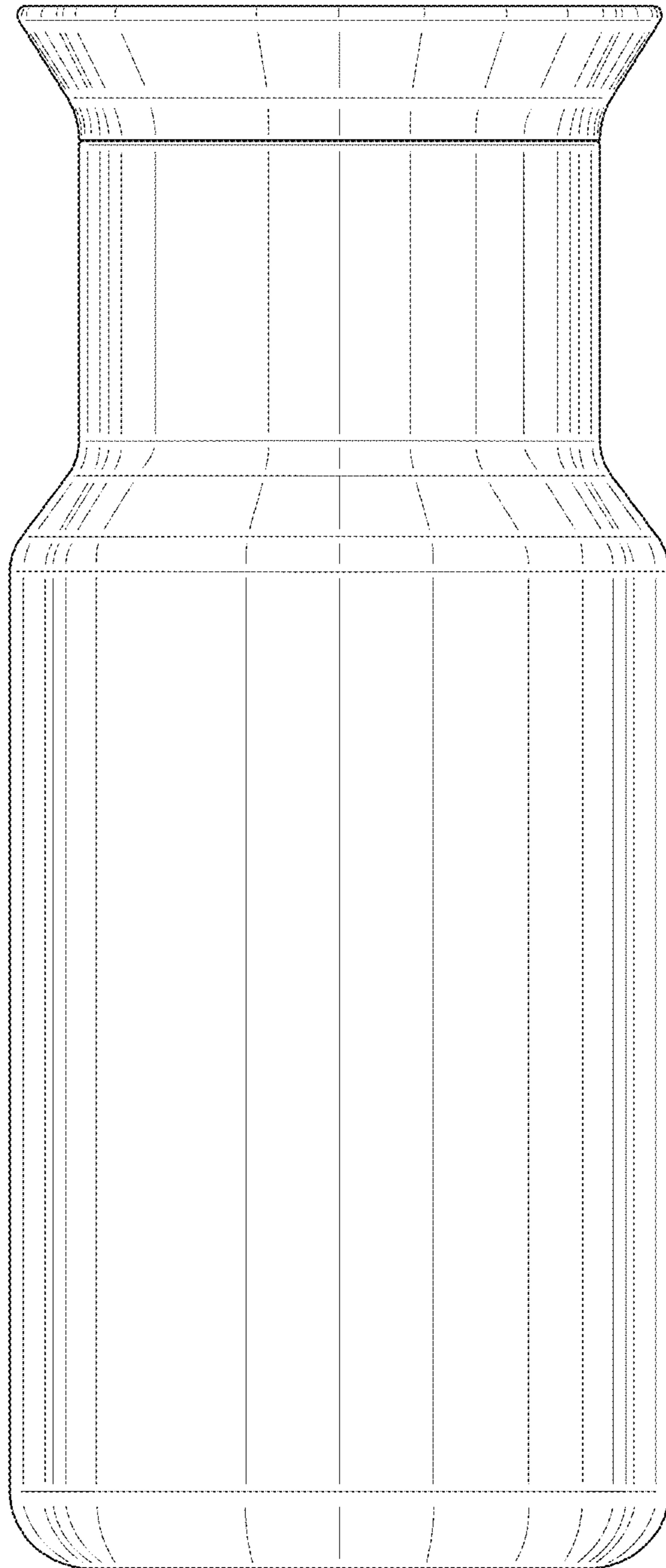


FIG. 6



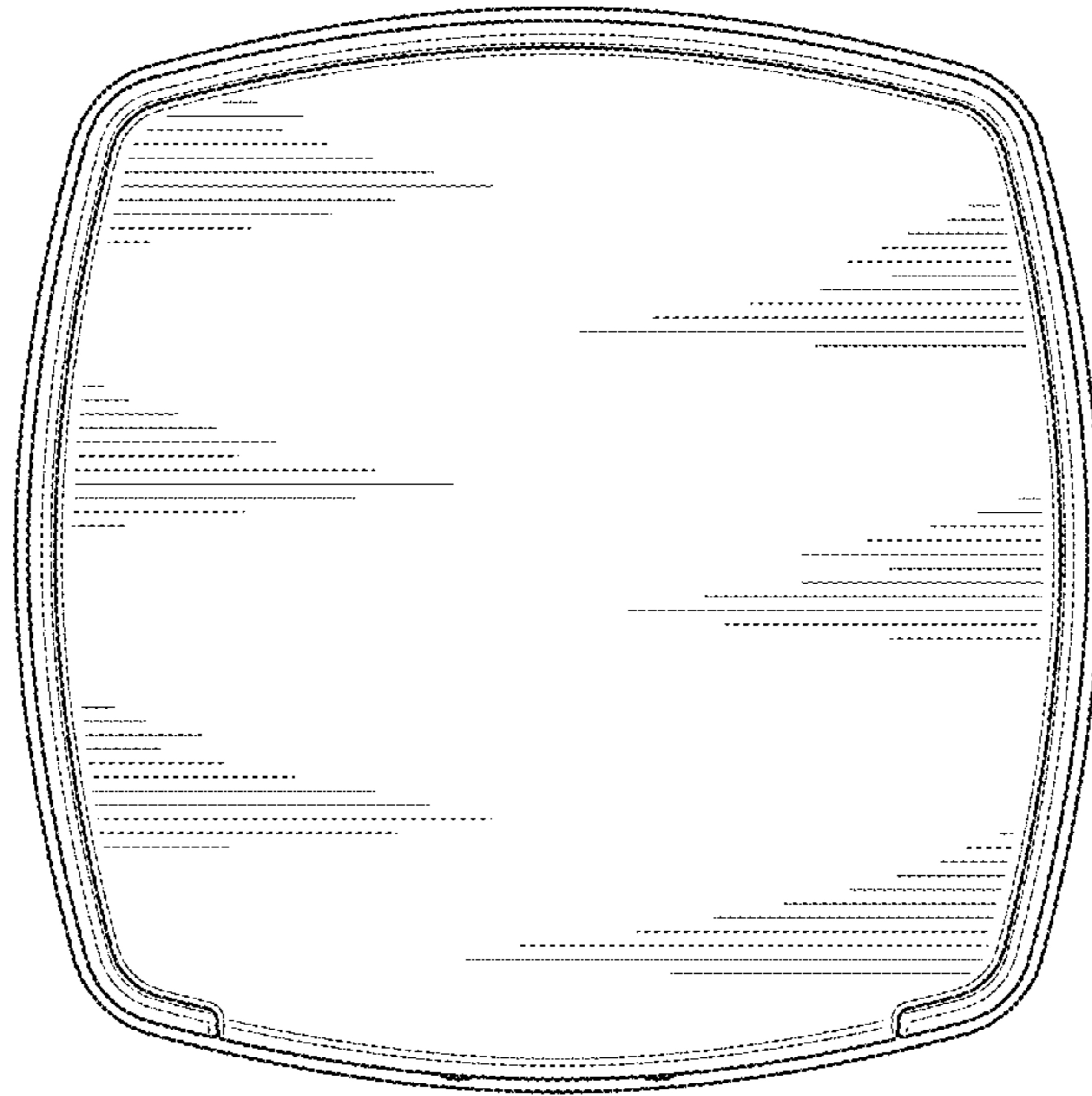


FIG. 7

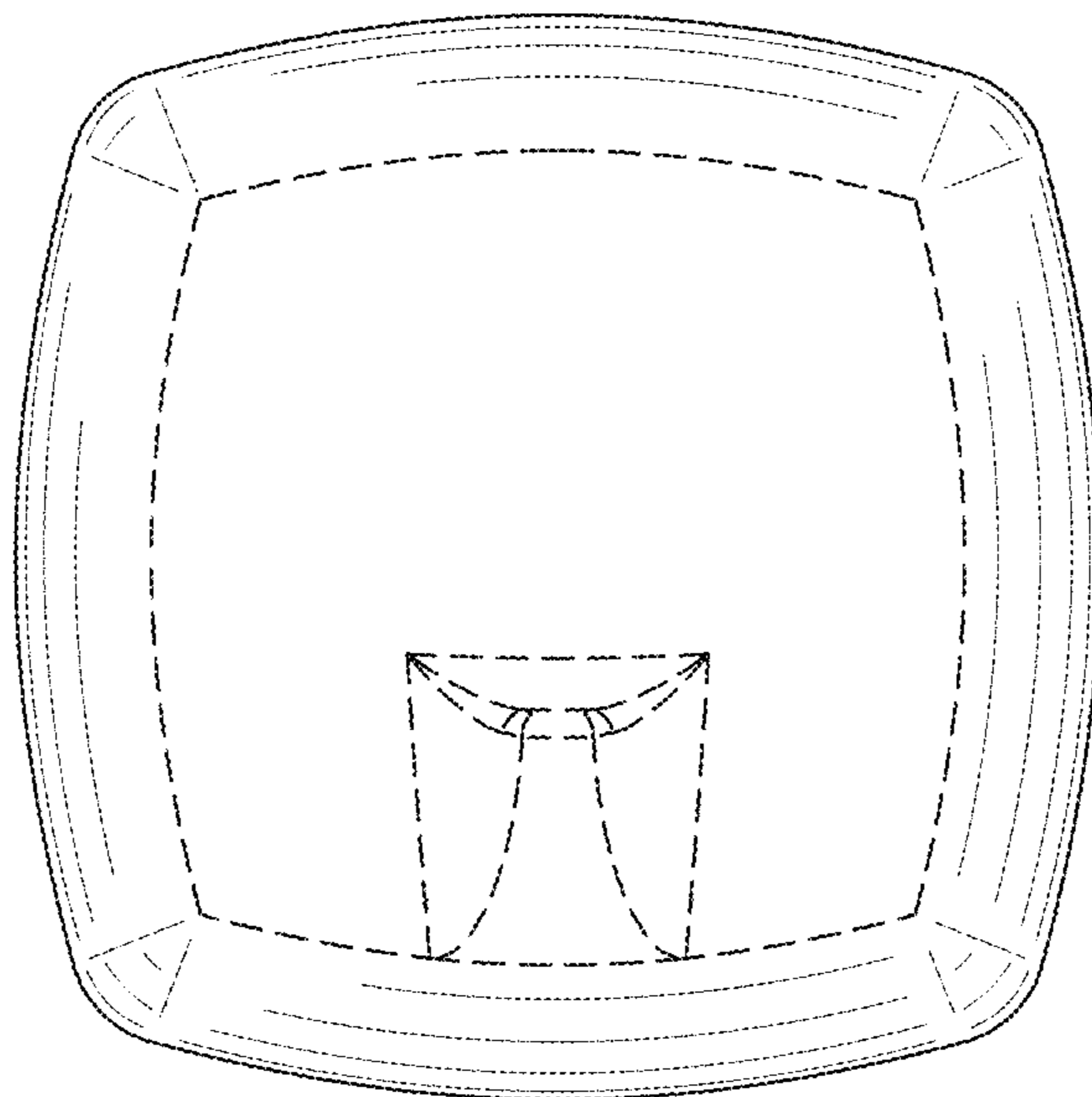


FIG. 8

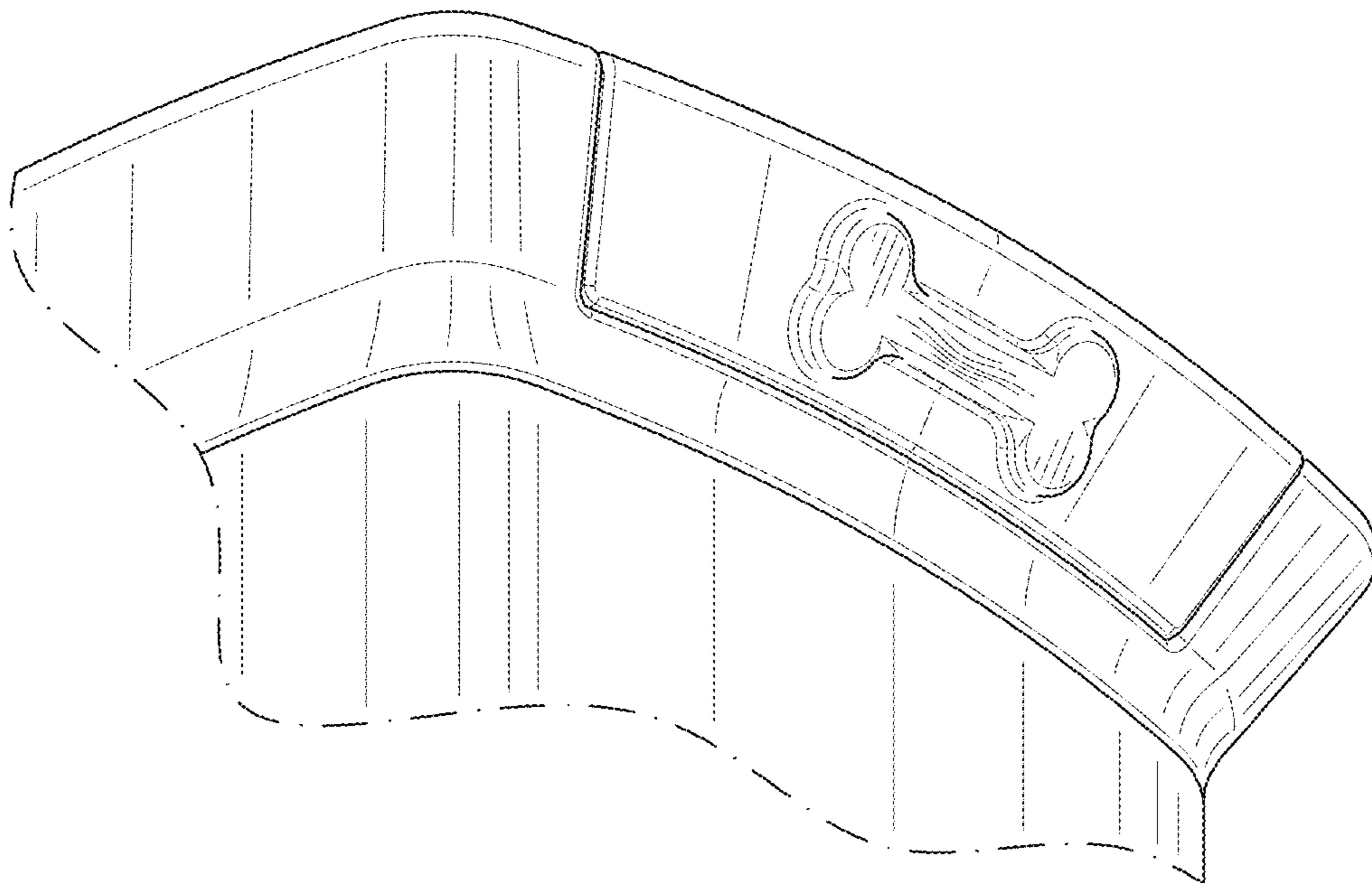


FIG. 9

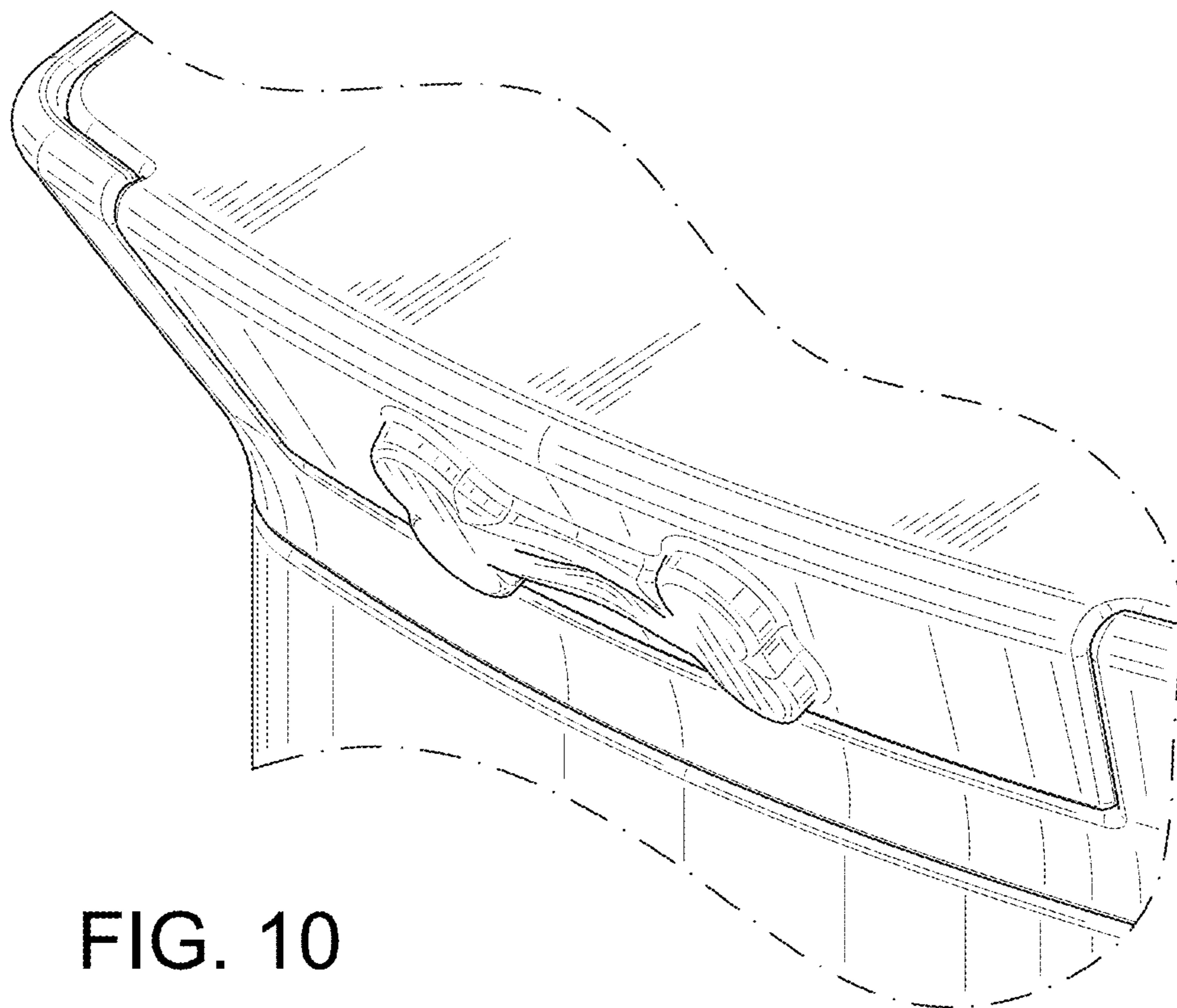


FIG. 10

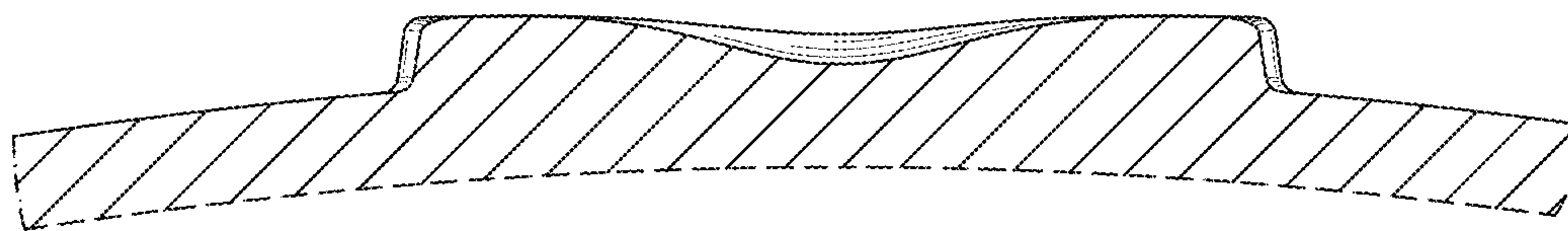


FIG. 11

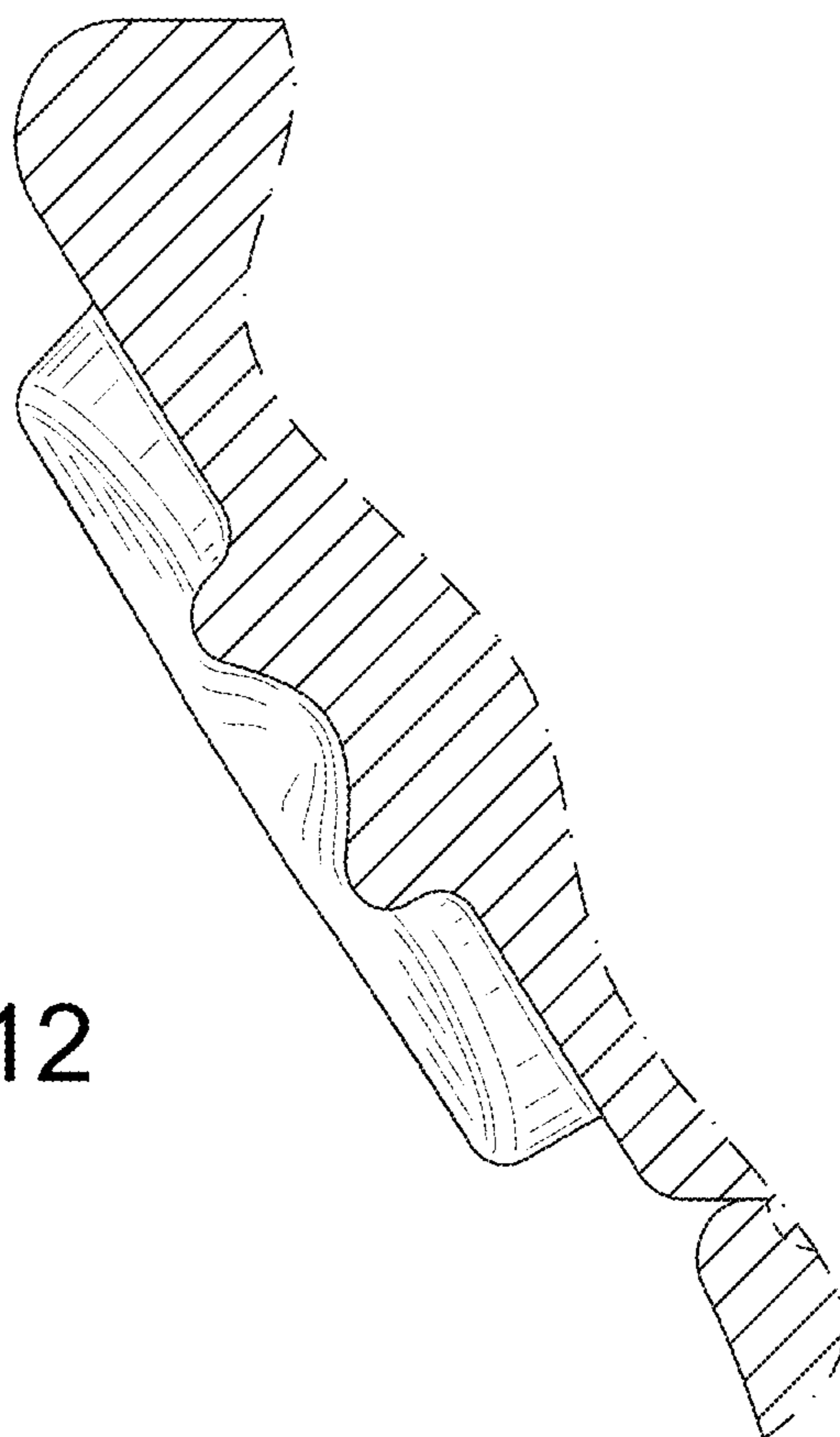


FIG. 12