



US00D831489S

(12) **United States Design Patent**
Deylamian et al.

(10) **Patent No.:** **US D831,489 S**
(45) **Date of Patent:** **** Oct. 23, 2018**

(54) **BOTTLE**

(71) Applicant: **OnMyWhey, LLC**, San Jose, CA (US)

(72) Inventors: **Farbod Deylamian**, New York, NY (US); **David Jacobsen**, San Diego, CA (US); **Kyle Lewis**, San Mateo, CA (US); **Kayvon Pourmirzaie**, San Jose, CA (US)

(73) Assignee: **OnMyWhey, LLC**, San Jose, CA (US)

(**) Term: **15 Years**

(21) Appl. No.: **29/636,090**

(22) Filed: **Feb. 6, 2018**

Related U.S. Application Data

(63) Continuation of application No. 29/587,289, filed on Dec. 12, 2016, and a continuation of application No. 29/587,298, filed on Dec. 12, 2016.

(51) **LOC (11) Cl.** **09-01**

(52) **U.S. Cl.**

USPC **D9/516**; D9/443; D9/454; D8/356

(58) **Field of Classification Search**

USPC D9/434-436, 443, 454, 499, 500-504, D9/516, 529, 549, 558, 715, 719, 722, D9/741, 745-746; D3/203.1-203.2, D3/207-208, 212, 215; D7/391, 507, D7/590, 629-630

CPC B65D 1/00; B65D 1/02; B65D 1/0223; B65D 11/04; B65D 23/00; B65D 23/0003; B65D 51/24; B65D 2313/00; B65D 2501/00; B65D 2501/0009; B65D 2501/0072; A63B 29/02; Y10T 24/45346; Y10T 24/45435

See application file for complete search history.

(56) **References Cited**

U.S. PATENT DOCUMENTS

2,813,650 A *	11/1957	Takahashi	B65D 41/185 215/305
D239,159 S *	3/1976	Picker	D7/317
D243,065 S *	1/1977	Picker	D7/540
D278,597 S *	4/1985	McAlinden	D9/500
D287,335 S *	12/1986	Anderson	D24/117

(Continued)

Primary Examiner — Dana Meyrow

(74) *Attorney, Agent, or Firm* — Young Basile Hanlon & MacFarlane, P.C.

(57) **CLAIM**

The ornamental design for a bottle, as shown and described.

DESCRIPTION

FIG. 1 is a first perspective view of a bottle in accordance with the present invention.

FIG. 2 is a second perspective view thereof.

FIG. 3 is a front view thereof.

FIG. 4 is a back view thereof.

FIG. 5 is a left view thereof.

FIG. 6 is a right view thereof.

FIG. 7 is a top view thereof.

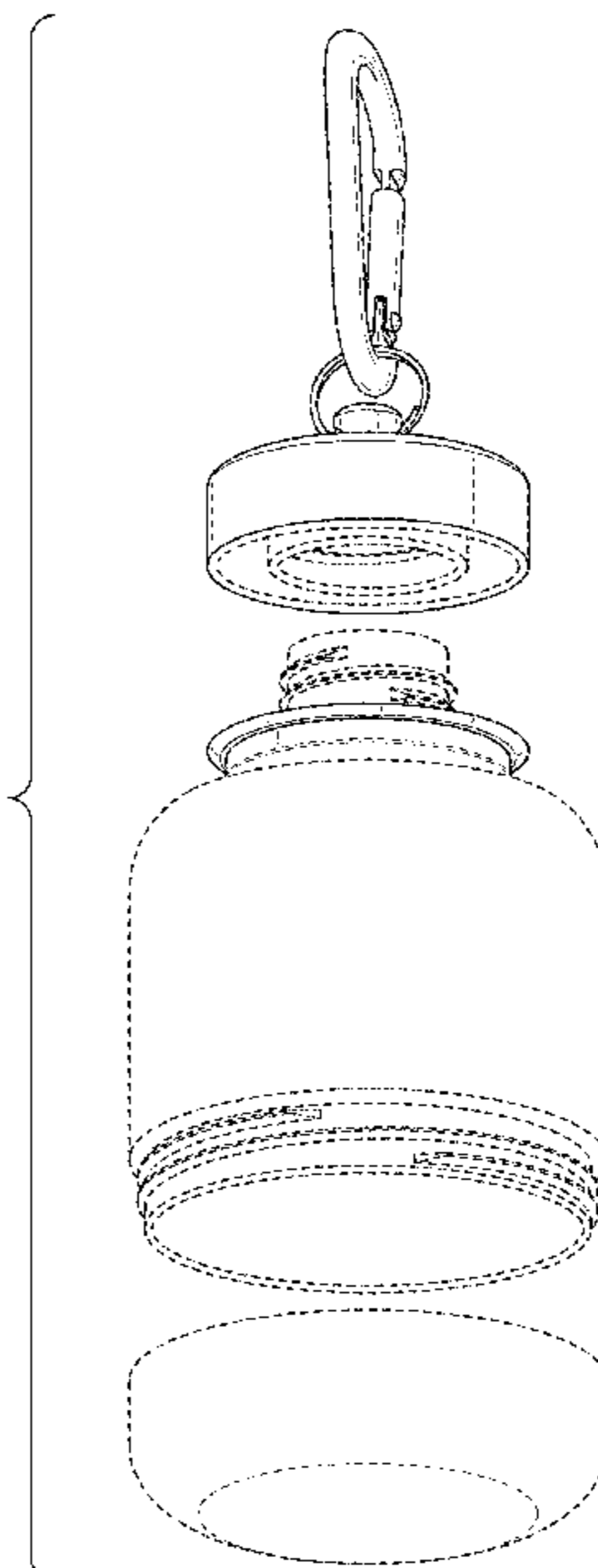
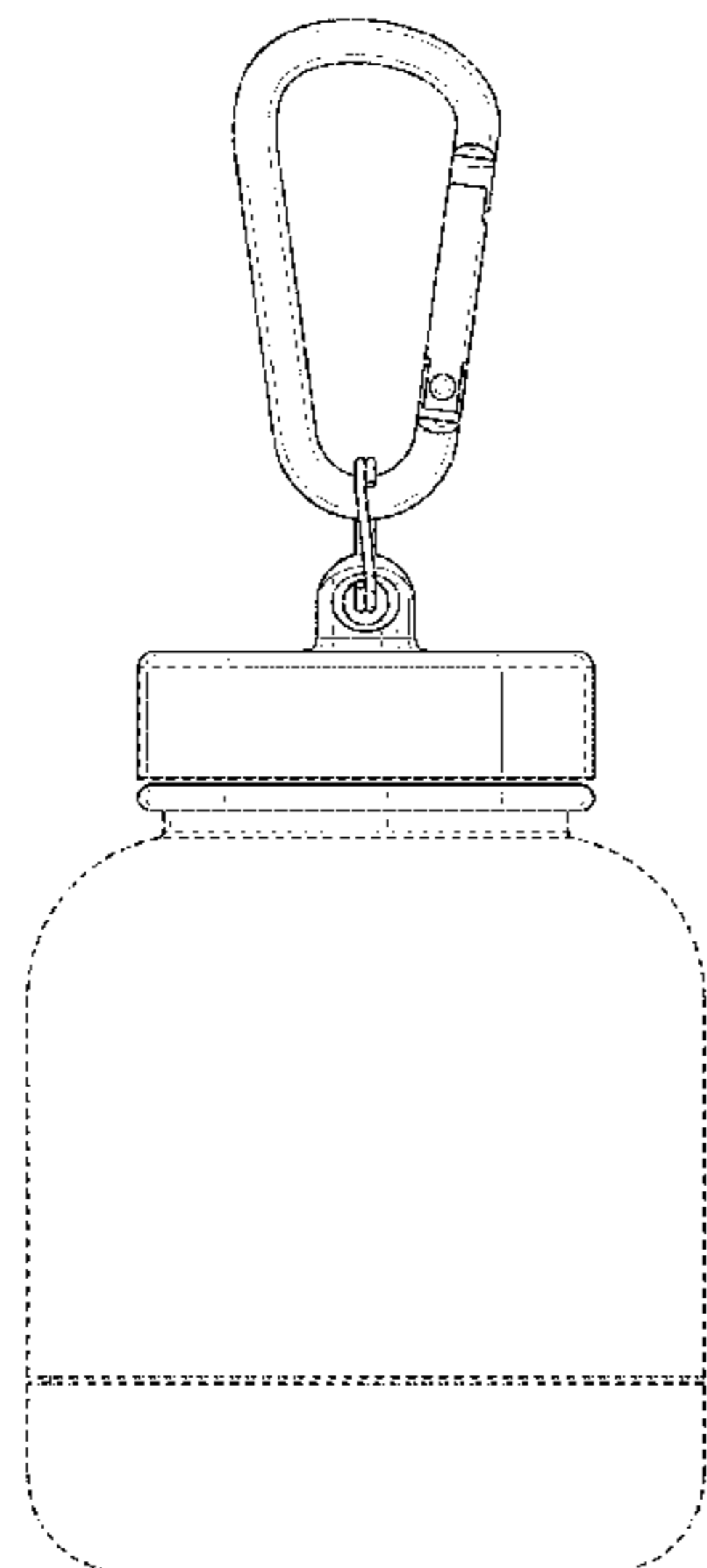
FIG. 8 is a bottom view thereof.

FIG. 9 is a first perspective exploded view thereof; and,

FIG. 10 is a second perspective exploded view thereof.

The broken lines shown in the drawings are included for purposes of illustrating portions of the bottle that form no part of the claimed design.

1 Claim, 9 Drawing Sheets



(56)

References Cited

U.S. PATENT DOCUMENTS

D315,095	S	*	3/1991	Wright	D9/415
D354,914	S	*	1/1995	Newman	D9/453
D433,336	S	*	11/2000	Weber	D9/538
D481,937	S	*	11/2003	McRae	D9/443
D489,171	S	*	5/2004	Jackson	D3/203.2
D606,447	S	*	12/2009	West	D11/80
D618,906	S	*	7/2010	Covington	D19/67
D653,116	S	*	1/2012	McMahon	D9/542
D654,366	S	*	2/2012	Presche	D9/504
D680,319	S	*	4/2013	Lawrence	D3/207
D690,161	S	*	9/2013	Garner	D7/510
D690,772	S	*	10/2013	Kado	D20/19
D752,925	S	*	4/2016	Lewis	D7/590
D759,480	S	*	6/2016	Shugar	D9/436
D785,455	S	*	5/2017	James	D9/503
D805,909	S	*	12/2017	Matsuishi	D9/538

* cited by examiner

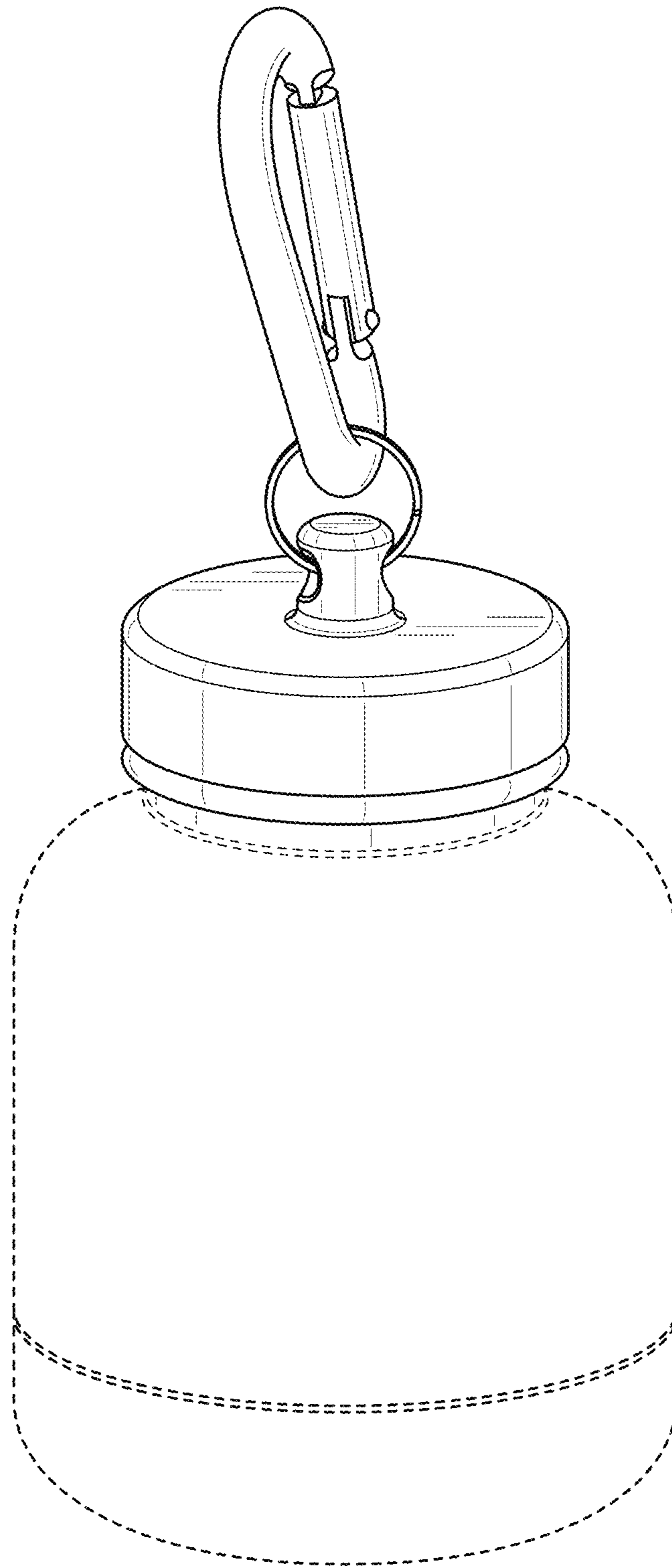


FIG. 1

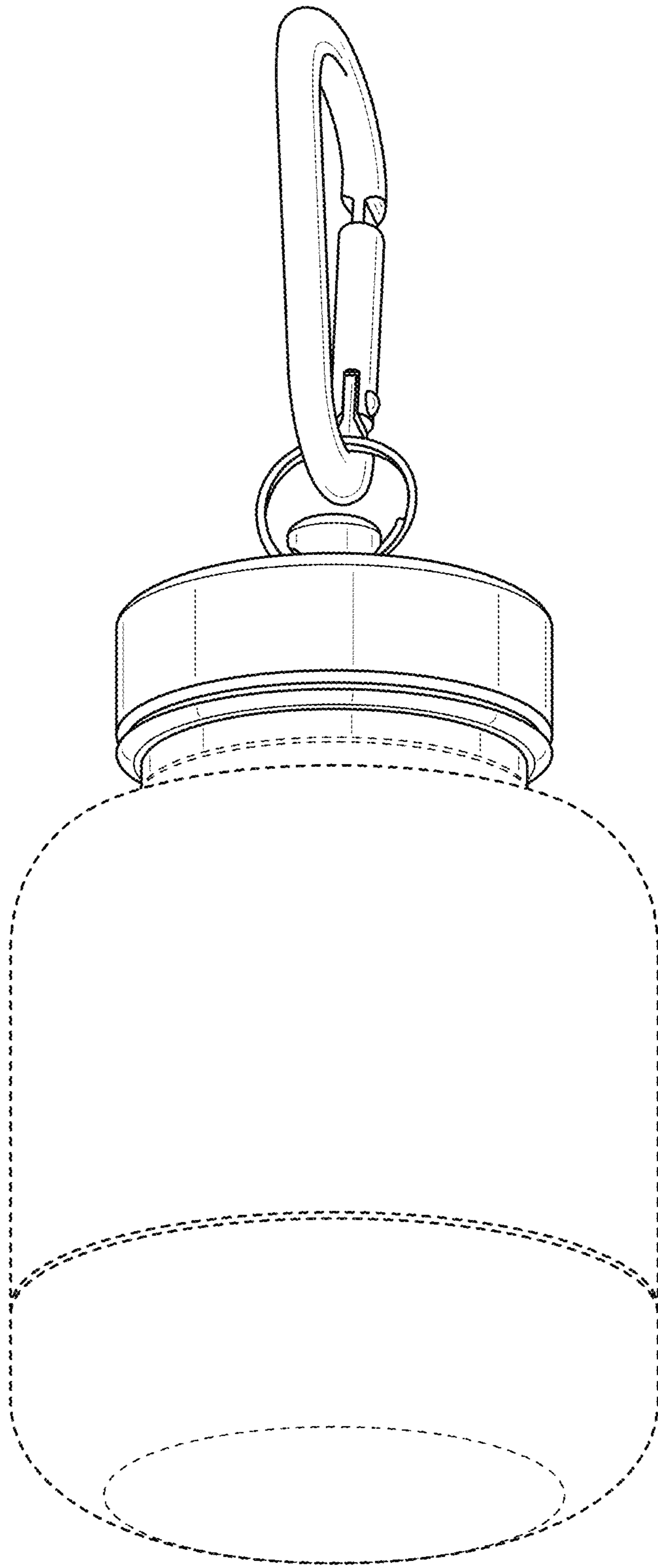


FIG. 2

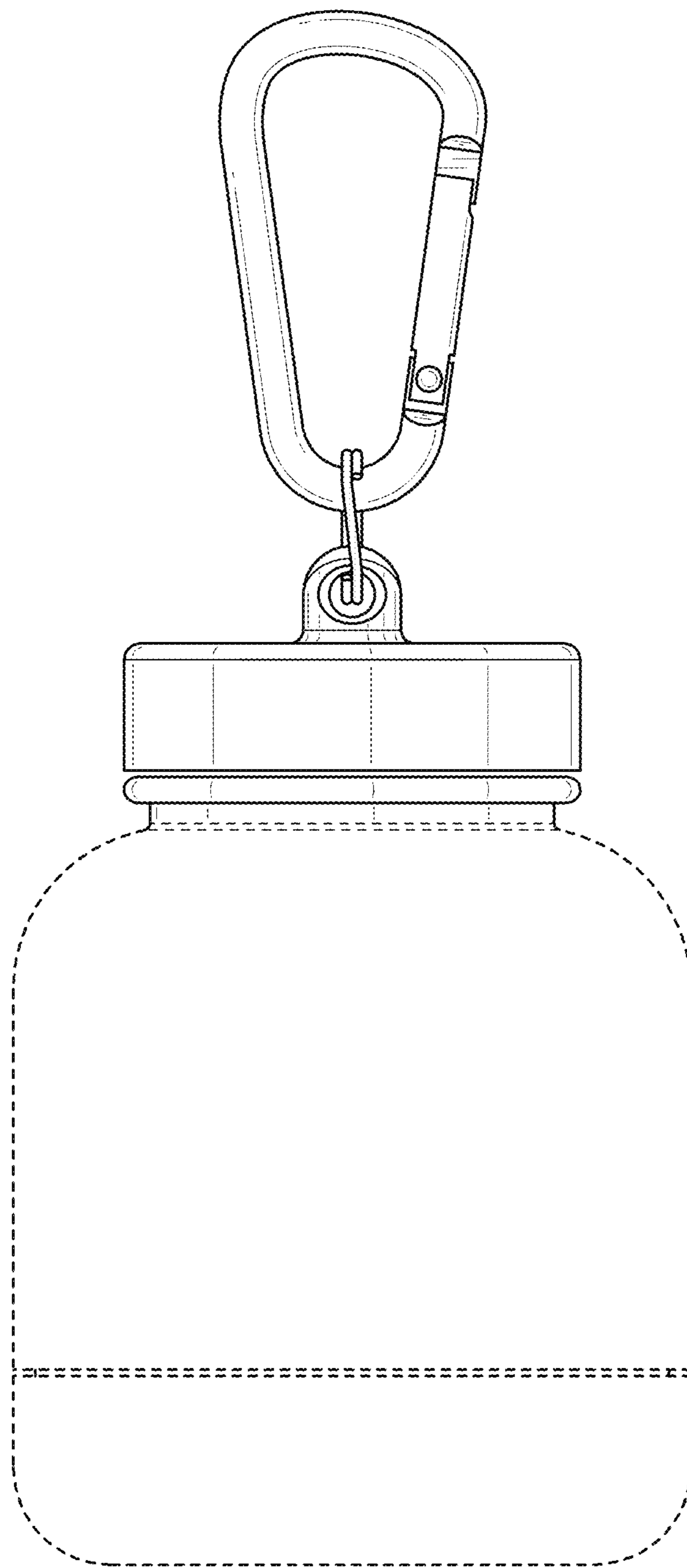


FIG. 3

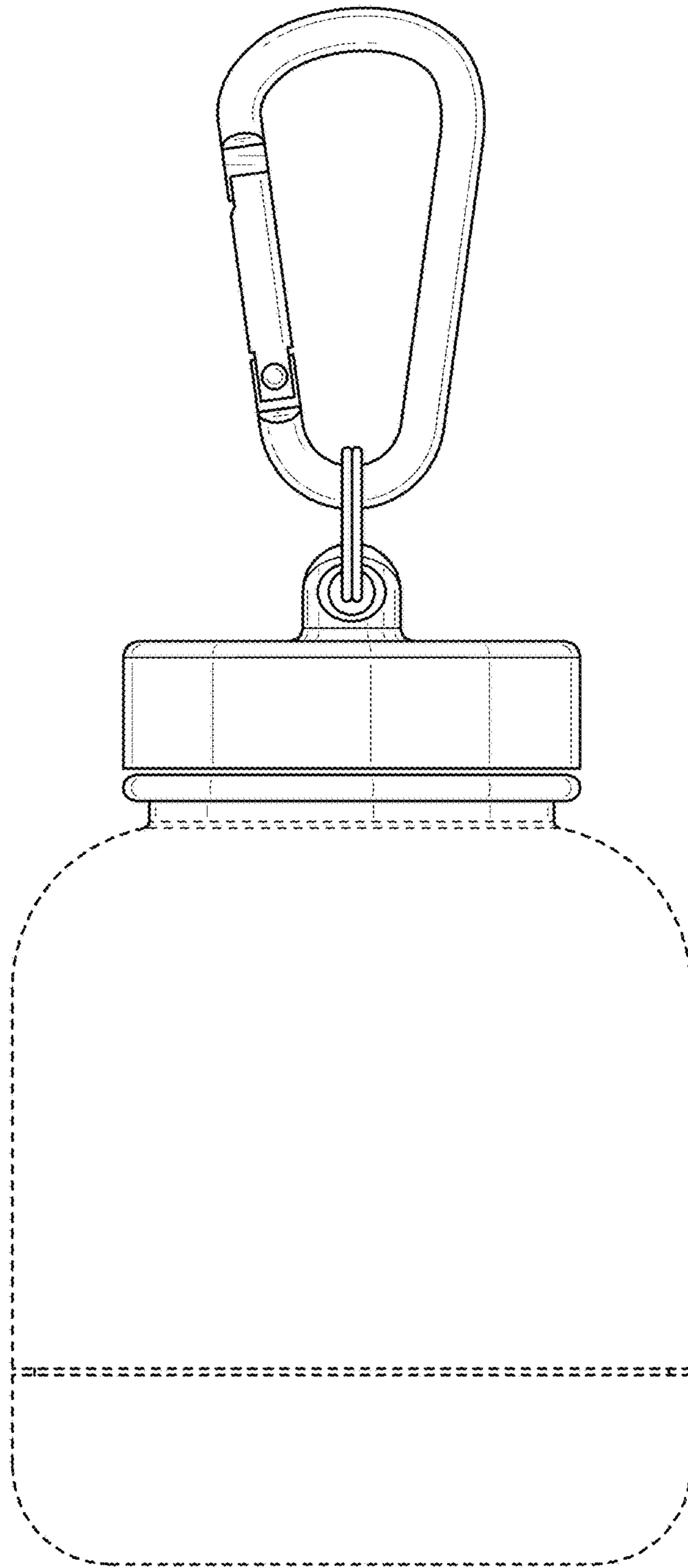


FIG. 4

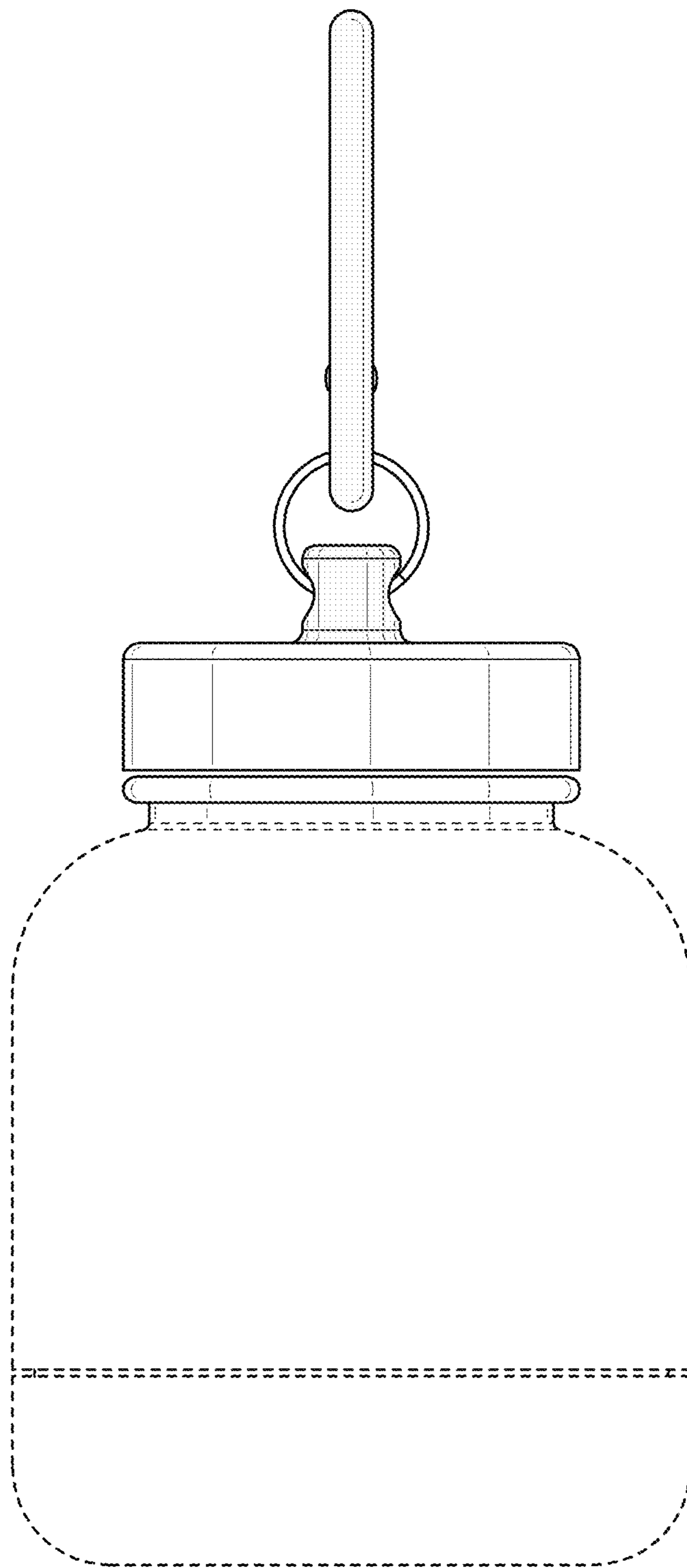


FIG. 5

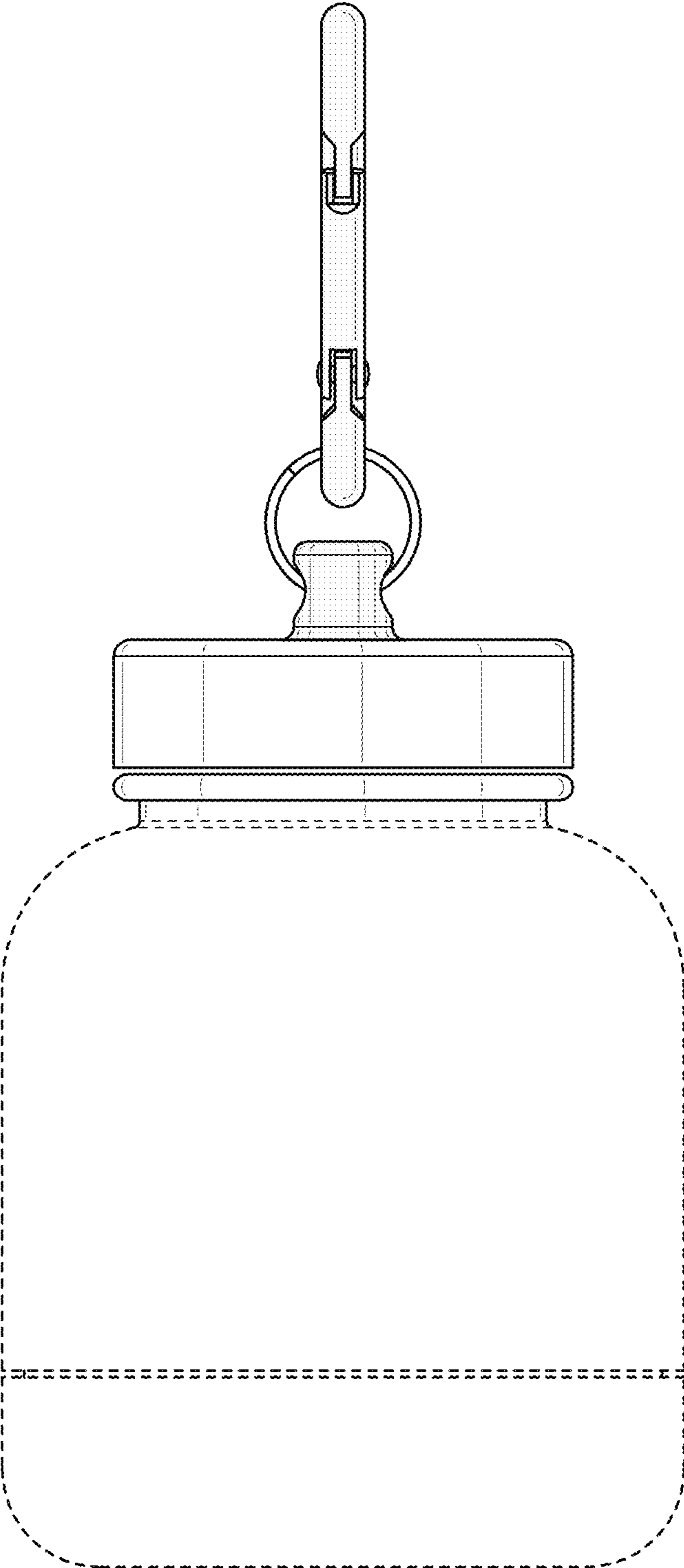


FIG. 6

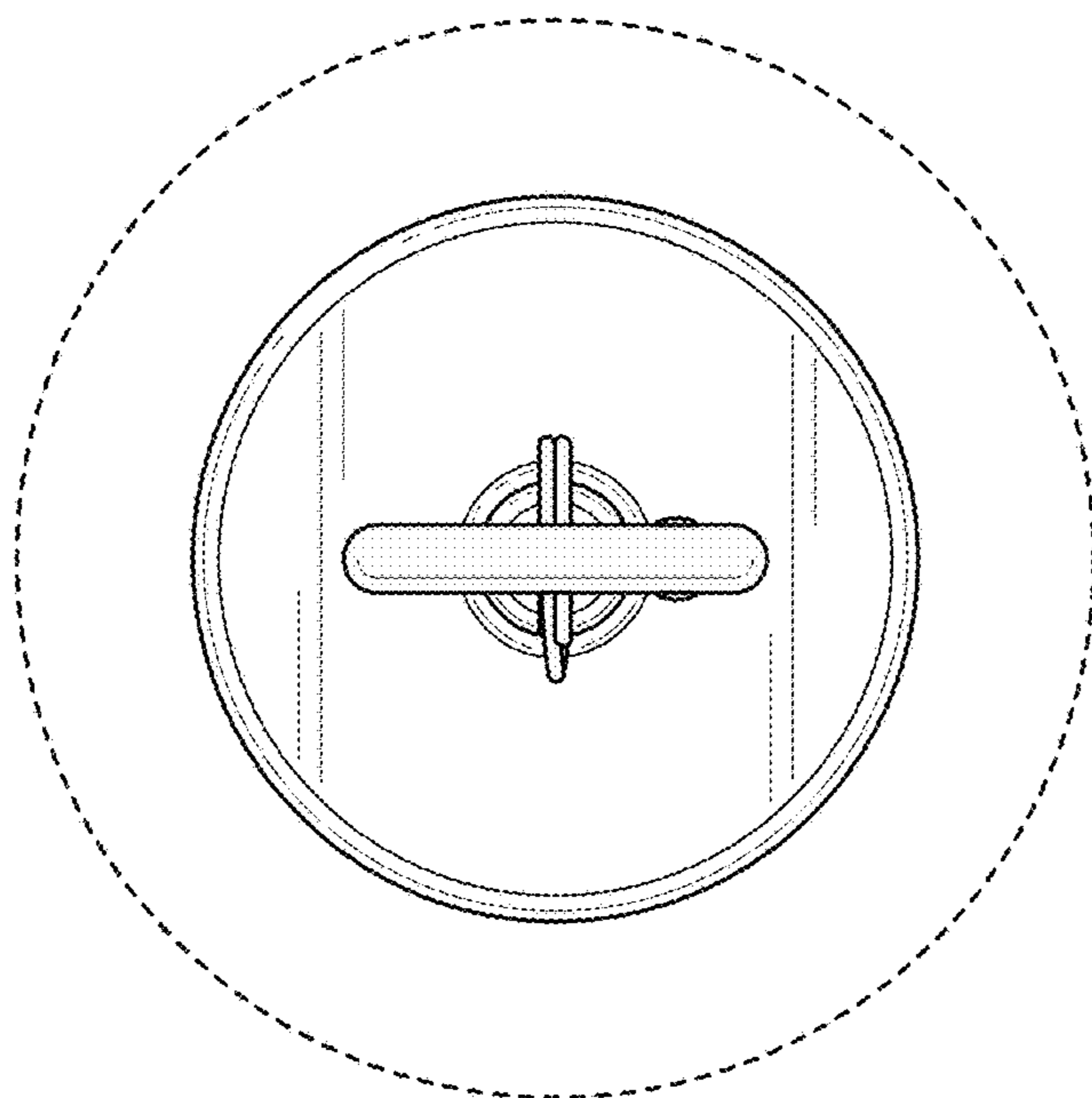


FIG. 7

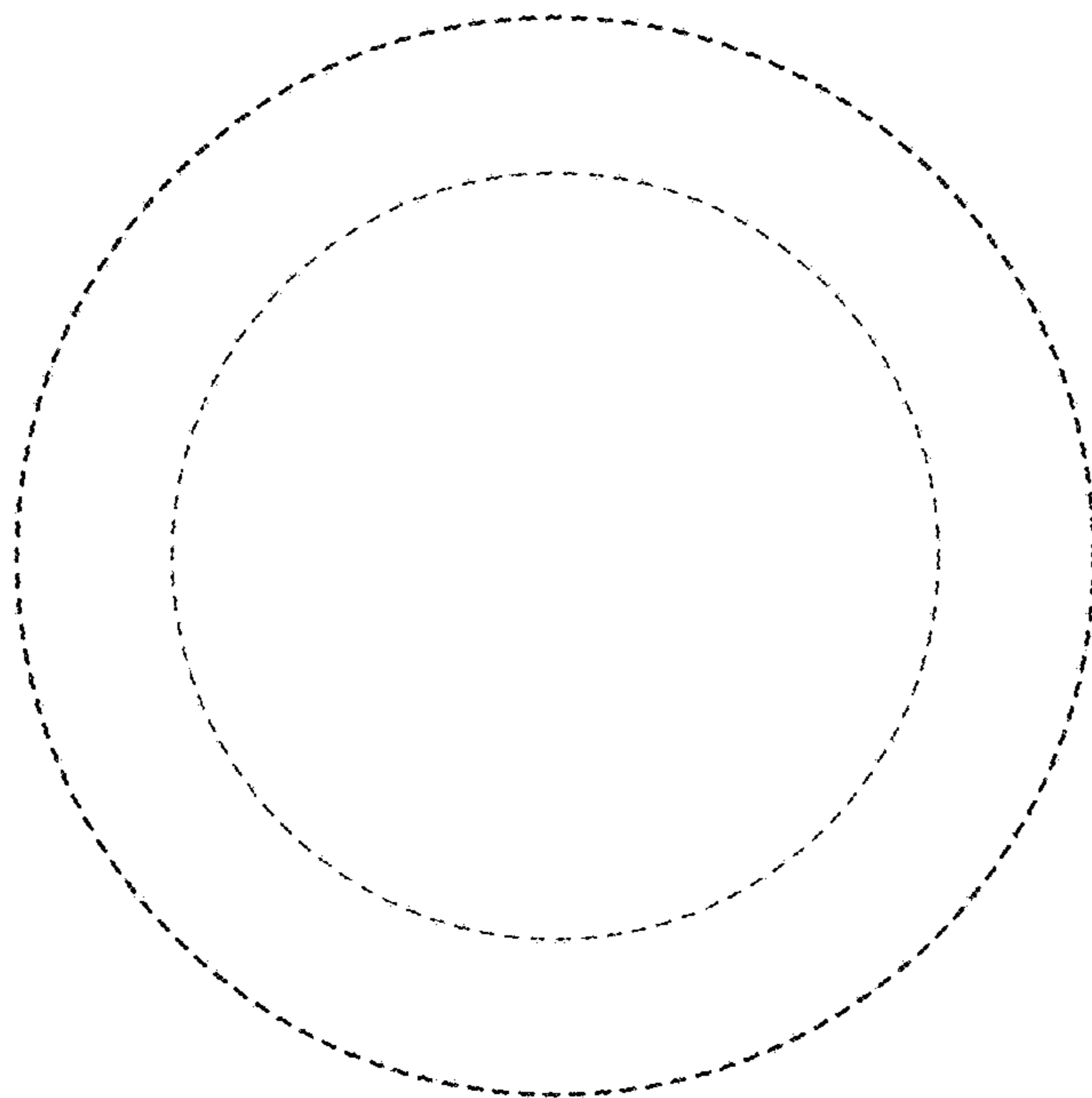


FIG. 8

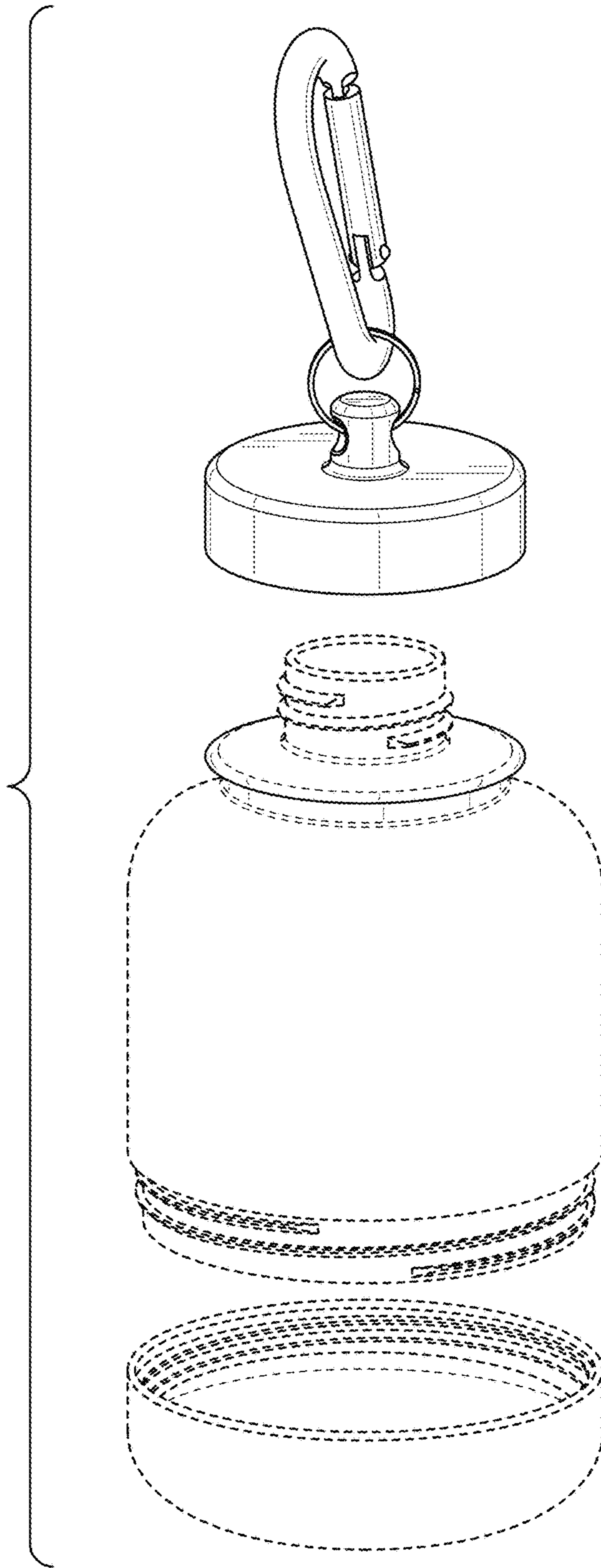


FIG. 9

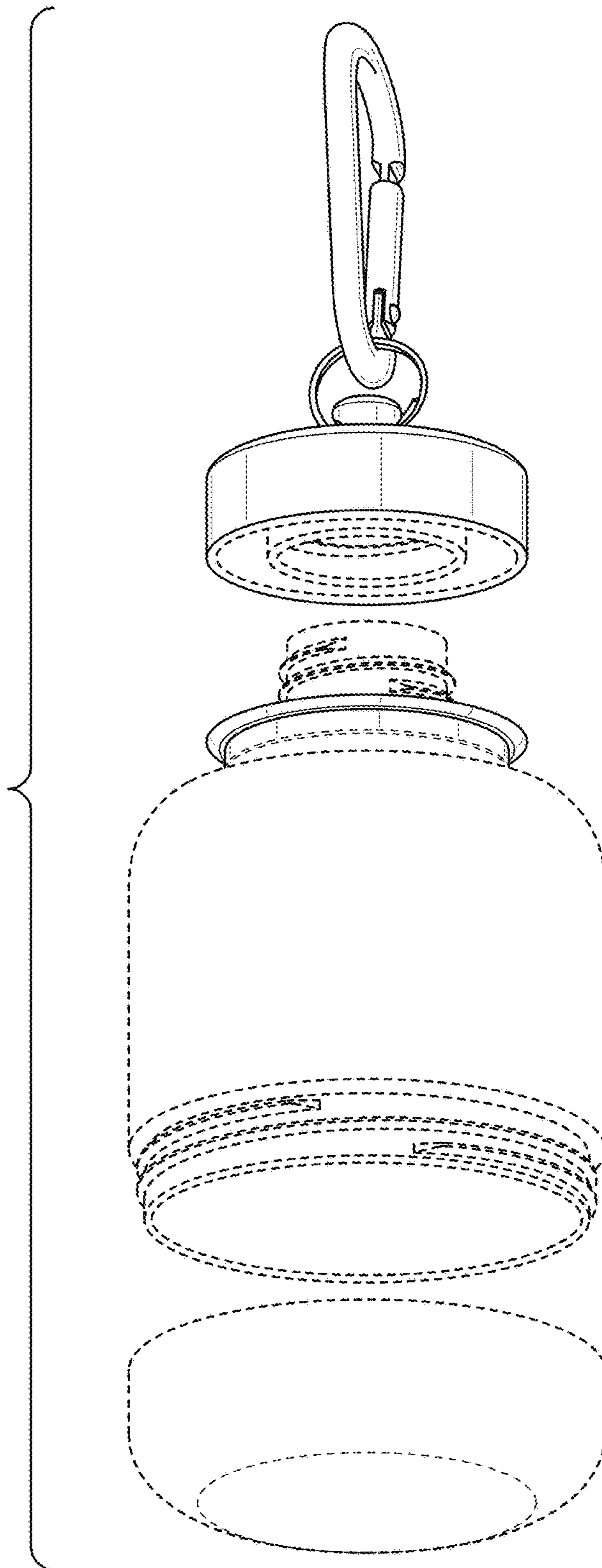


FIG. 10