



US00D831486S

(12) **United States Design Patent**
Fries

(10) **Patent No.:** **US D831,486 S**
(45) **Date of Patent:** **** Oct. 23, 2018**

(54) **CLOSURE FOR CONTAINERS**

(71) Applicant: **JOMA KUNSTSTOFFTECHNIK
GMBH & CO KG**, Brunn am Gebirge
(AT)

(72) Inventor: **Rudolf Fries**, Brunn am Gebirge (AT)

(73) Assignee: **JOMA KUNSTSTOFFTECHNIK
GMBH & CO KG**, Brunn am Gebirge
(AT)

(**) Term: **15 Years**

(21) Appl. No.: **29/555,231**

(22) Filed: **Feb. 19, 2016**

(30) **Foreign Application Priority Data**

Aug. 19, 2015 (EM) 0027572290001
Aug. 19, 2015 (EM) 0027572290002
Aug. 19, 2015 (EM) 0027572290003

(51) **LOC (11) Cl.** **09-07**

(52) **U.S. Cl.**
USPC **D9/449**

(58) **Field of Classification Search**
USPC D9/414, 415, 420, 426, 428, 429, 434,
D9/435, 443-450, 452-457, 499, 682,
(Continued)

(56) **References Cited**

U.S. PATENT DOCUMENTS

4,284,200 A * 8/1981 Bush B65D 47/0842
215/215
D272,807 S * 2/1984 Ruhl D9/449
(Continued)

FOREIGN PATENT DOCUMENTS

AT 13647 5/2014
EM 002310995-0001 9/2013

(Continued)

Primary Examiner — Karen S Acker

Assistant Examiner — Wendy L Arminio

(74) *Attorney, Agent, or Firm* — Abelman, Frayne &
Schwab

(57) **CLAIM**

The ornamental design for a closure for containers, as shown
and described.

DESCRIPTION

FIG. 1 is a top, front, and right side perspective view of a
closure for containers, with the covers in the closed con-
figuration, according to the present invention;

FIG. 2 is a left side view thereof;

FIG. 3 is a right side view thereof;

FIG. 4 is a top view thereof;

FIG. 5 is a bottom view thereof;

FIG. 6 is a front view thereof;

FIG. 7 is a rear view thereof;

FIG. 8 is an exploded, top, front, and left side perspective
view thereof, with the removable tab portion shown in the
removed configuration;

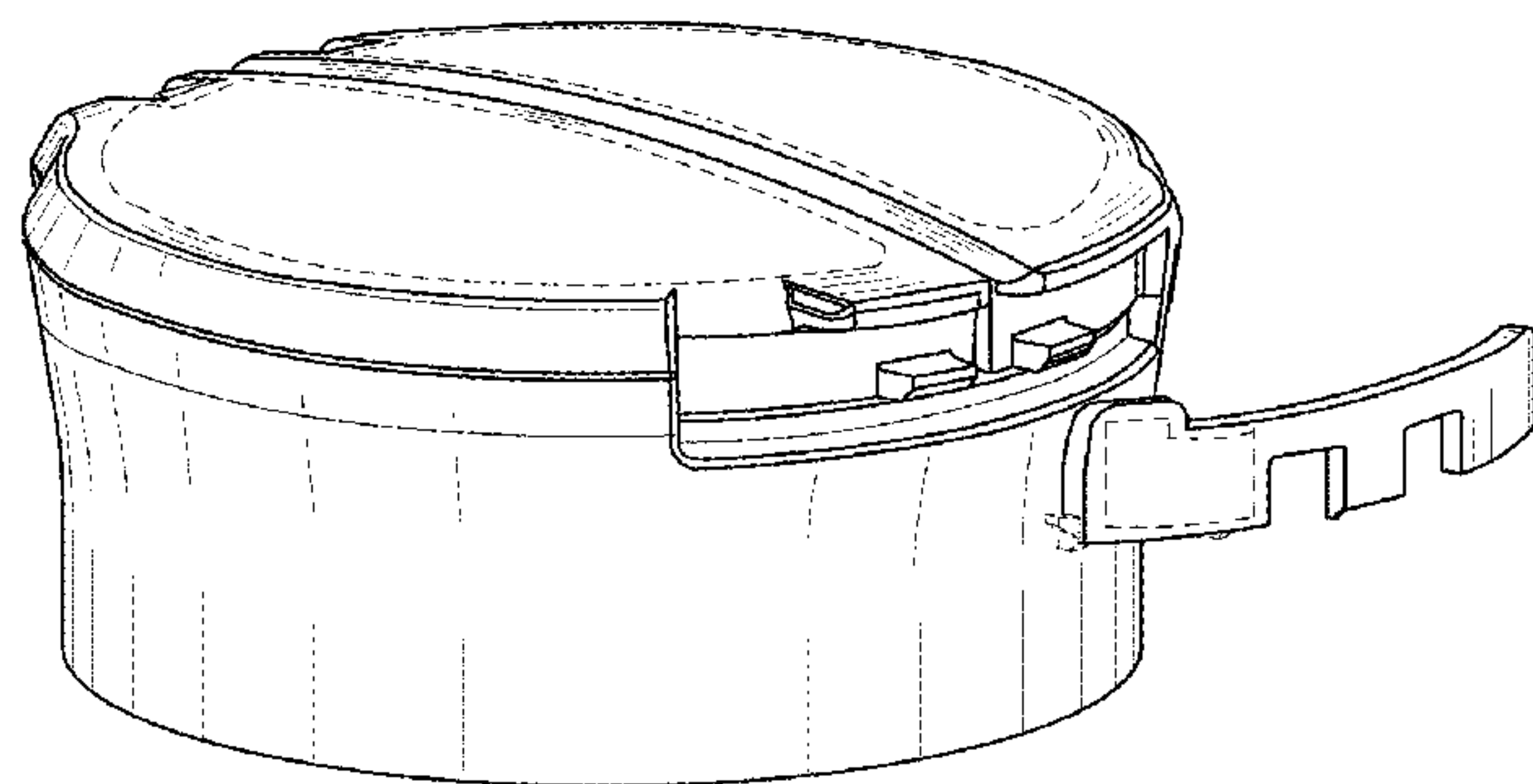
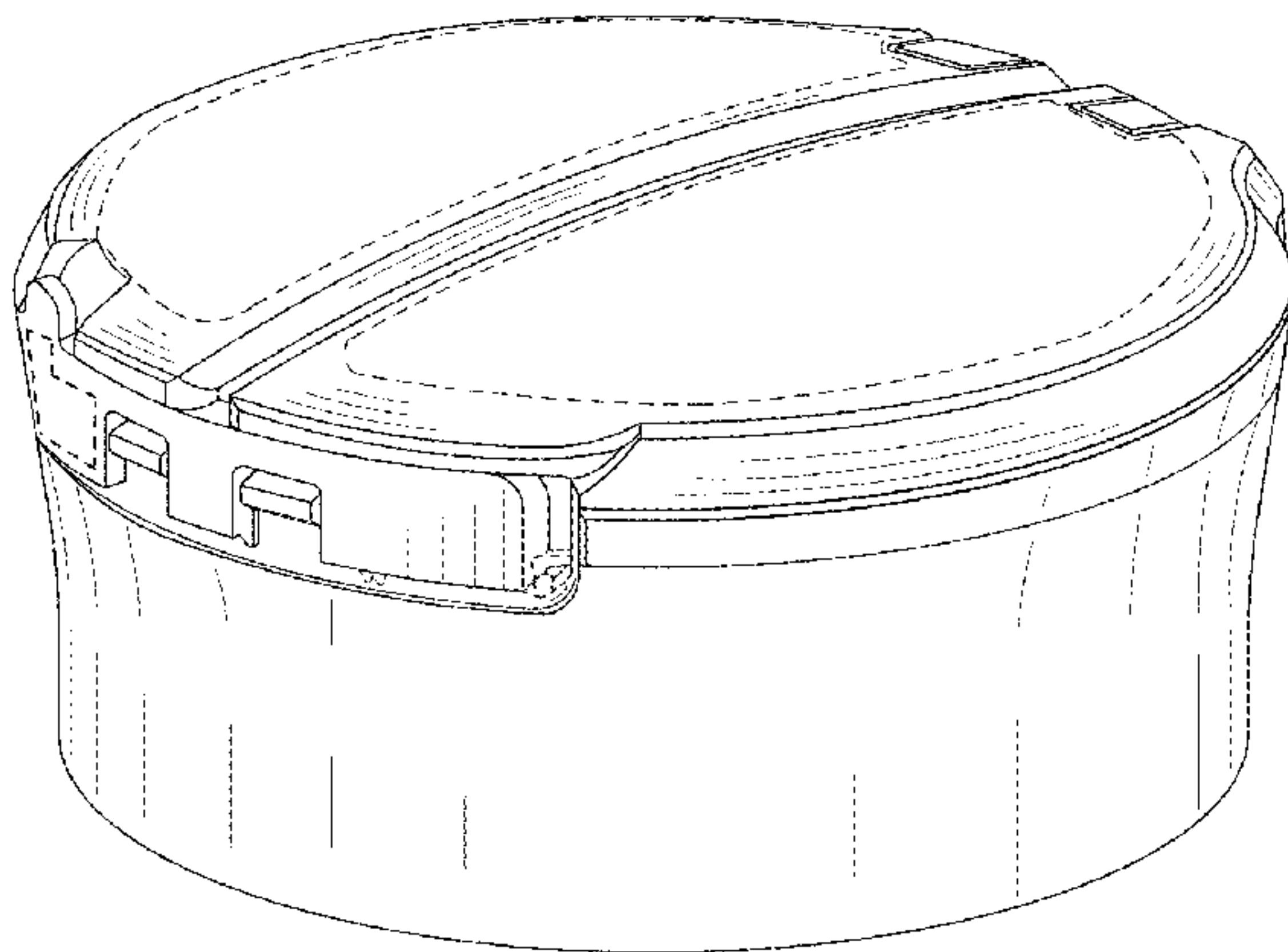
FIG. 9 is a top, front, and left side perspective view thereof,
in an alternate position with the covers in the opened
configuration;

FIG. 10 is a top, front, and right side perspective view
thereof, in an alternate position with the covers in the opened
configuration; and,

FIG. 11 is a bottom, rear, and right side perspective view
thereof, in an alternate position with the covers in the opened
configuration.

The broken lines depict portions of the closure for containers
that form no part of the claimed design. In the views of the
bottom, FIGS. 5 and 11, the innermost solid line forms the
boundaries to the claim.

1 Claim, 11 Drawing Sheets



(58) **Field of Classification Search**

USPC D9/685, 686, 451; D7/387, 392, 392.1,
 D7/393, 395, 396.2, 396.3, 396.4, 401.1,
 D7/507, 509-511, 538, 900; D3/202,
 D3/203.2, 318; D28/91.1
 CPC .. A61J 1/00; A61J 1/1412; B65D 1/00; B65D
 1/02; B65D 1/10; B65D 1/46; B65D
 2585/56; B65D 41/00; B65D 41/38;
 B65D 41/56; B65D 41/62; B65D 47/00;
 B65D 47/06; B65D 47/08; B65D
 2543/00046; B65D 2543/00092; B65D
 2543/00296; B65D 5/46; B65D 2251/00

See application file for complete search history.

4,754,898 A * 7/1988 Britt B65D 47/0842
 220/255
 H1855 H * 8/2000 Litton A45D 40/00
 D28/82
 D473,792 S * 4/2003 Diefenbach D9/447
 D533,452 S * 12/2006 Vogel D9/447
 D541,152 S * 4/2007 Samz D9/435
 D565,408 S * 4/2008 Kick D9/446
 D585,277 S * 1/2009 Beauplan D9/446
 D603,702 S * 11/2009 Daggett D9/449
 D615,862 S * 5/2010 Wilson D9/449
 D660,693 S * 5/2012 Berggren D9/421
 8,869,980 B2 * 10/2014 Berggren A24F 23/04
 206/256
 D717,169 S * 11/2014 Blackburn D9/449
 D732,958 S * 6/2015 Peneda D9/449
 2010/0140304 A1 * 6/2010 Walunis B65D 43/161
 222/480

(56) **References Cited**

U.S. PATENT DOCUMENTS

D278,602 S * 4/1985 Rosenstein D9/449
 4,545,508 A * 10/1985 Cribb, Jr. B65D 47/0847
 222/153.06
 D291,411 S * 8/1987 Crawford D9/440

FOREIGN PATENT DOCUMENTS

EM 002310995-0002 9/2013
 EM 002310995-0003 9/2013

* cited by examiner

FIG. 1

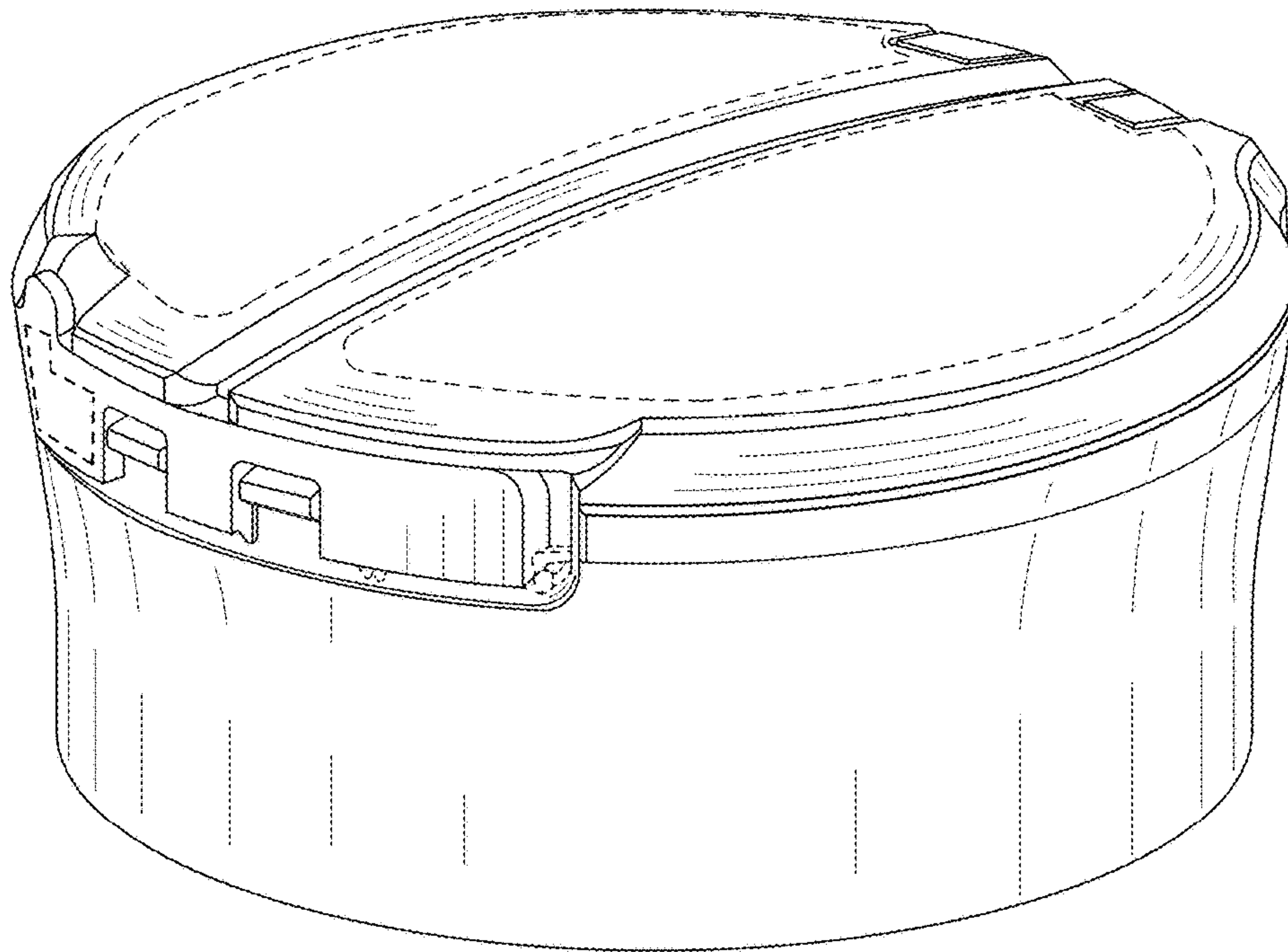


FIG. 2

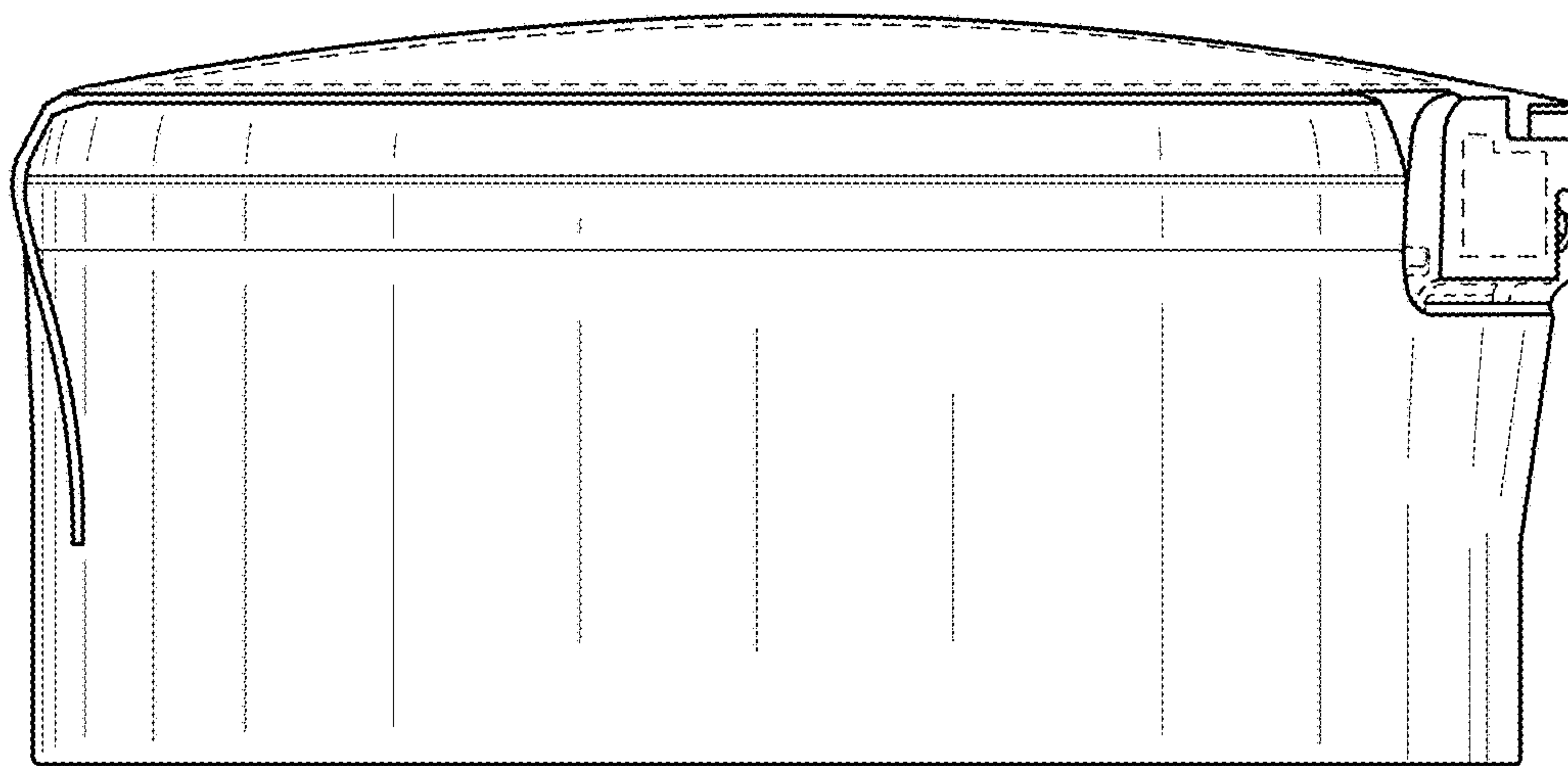


FIG. 3

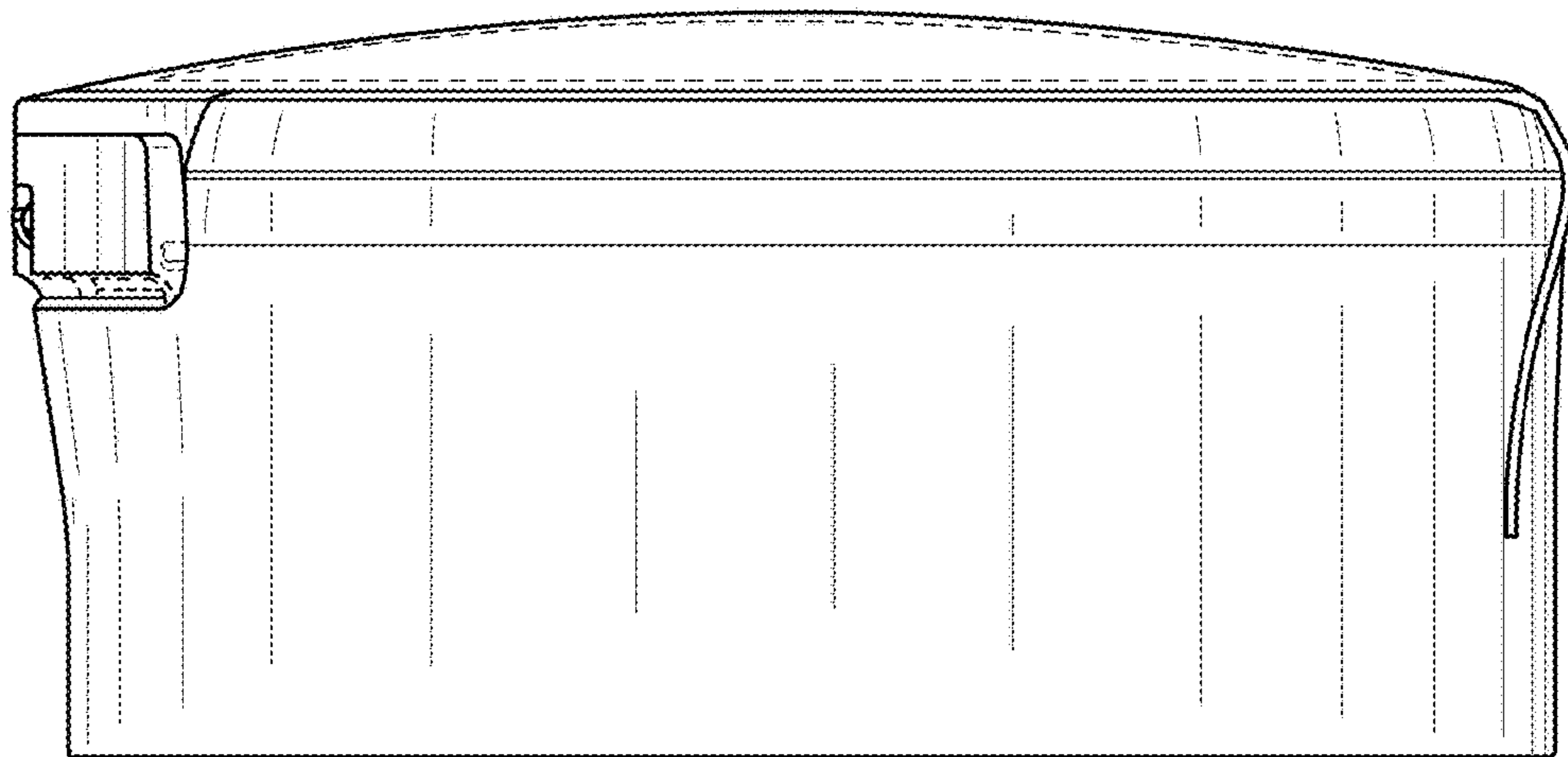


FIG. 4

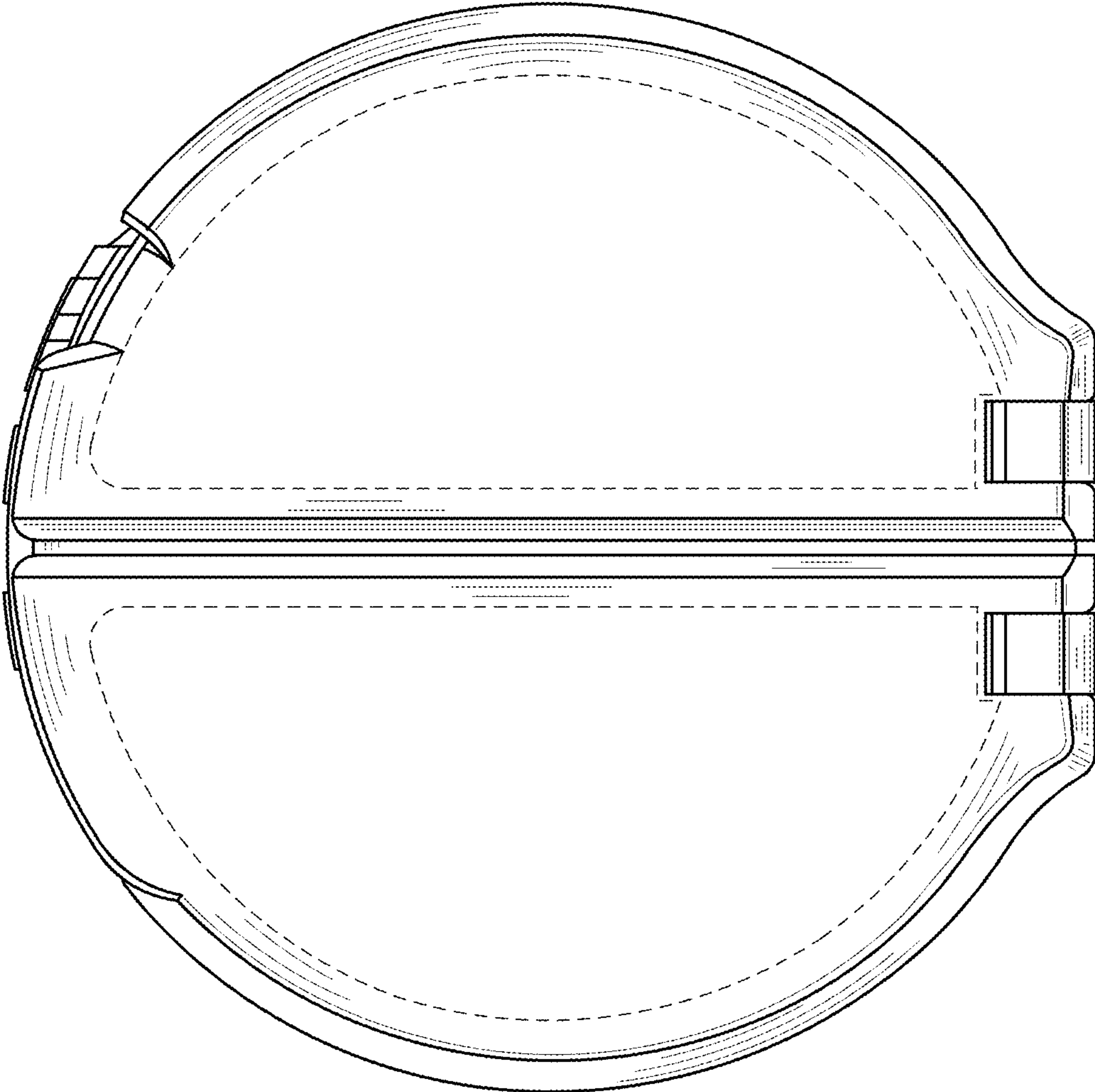


FIG. 5

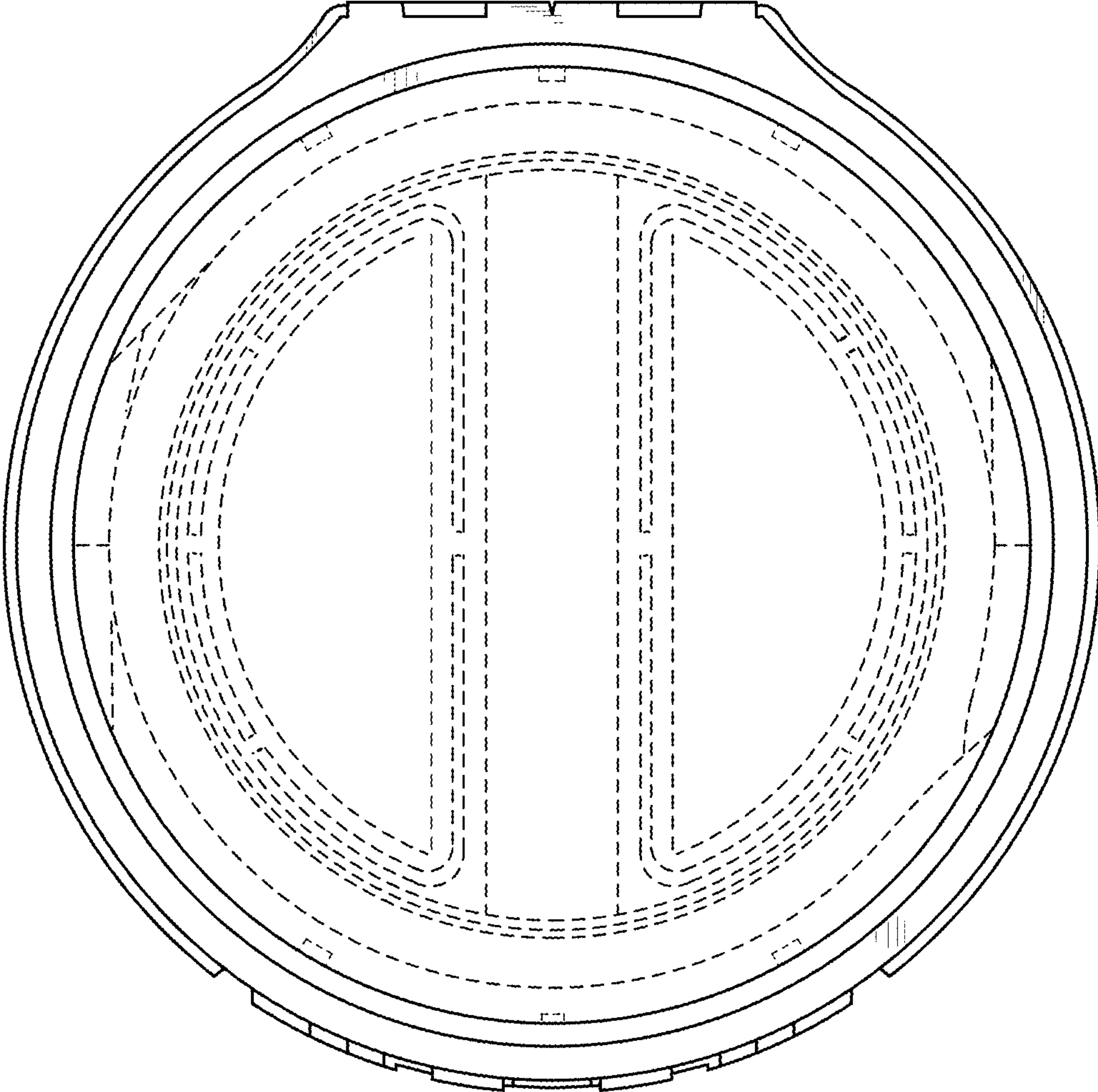


FIG. 6

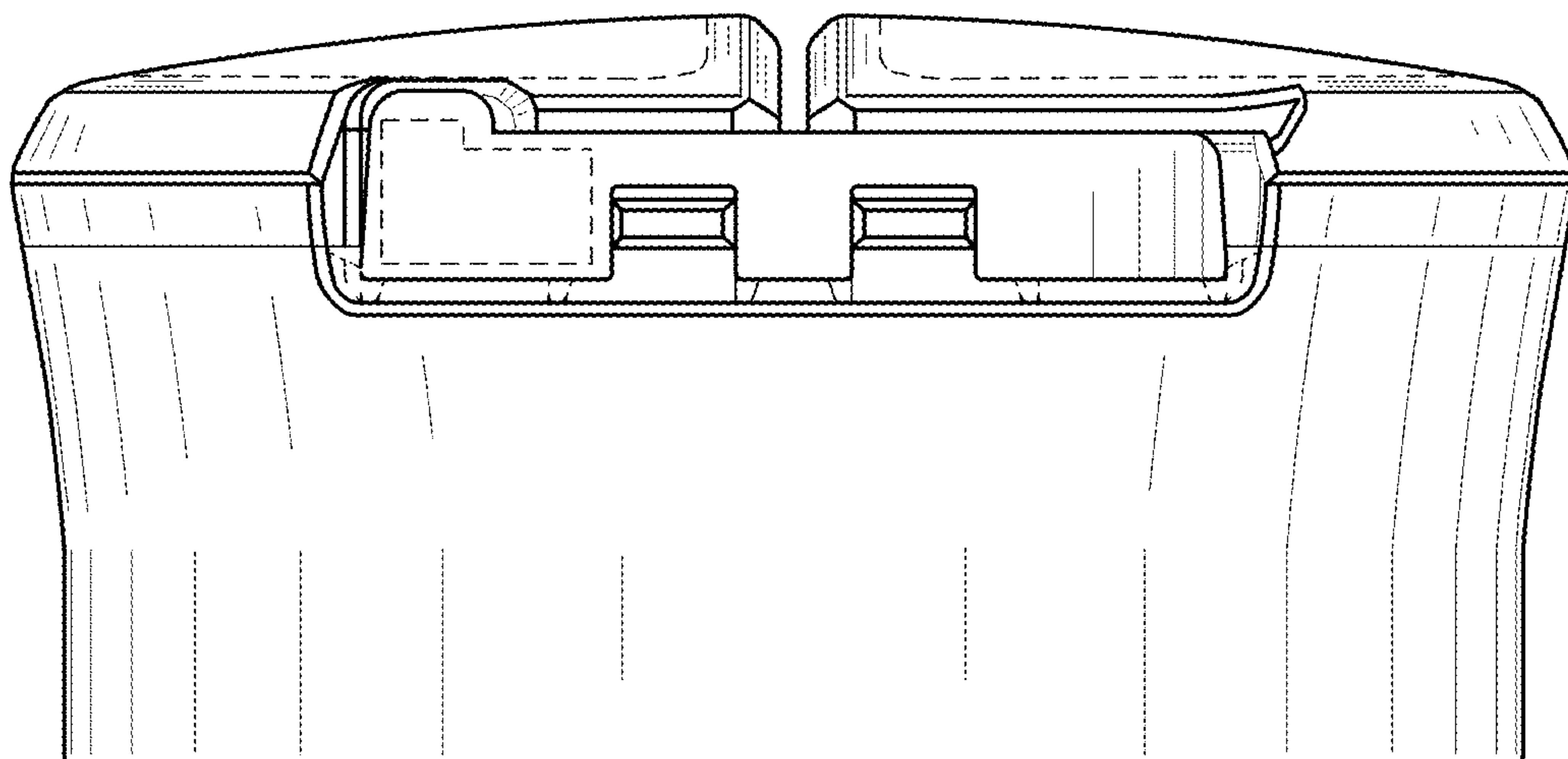
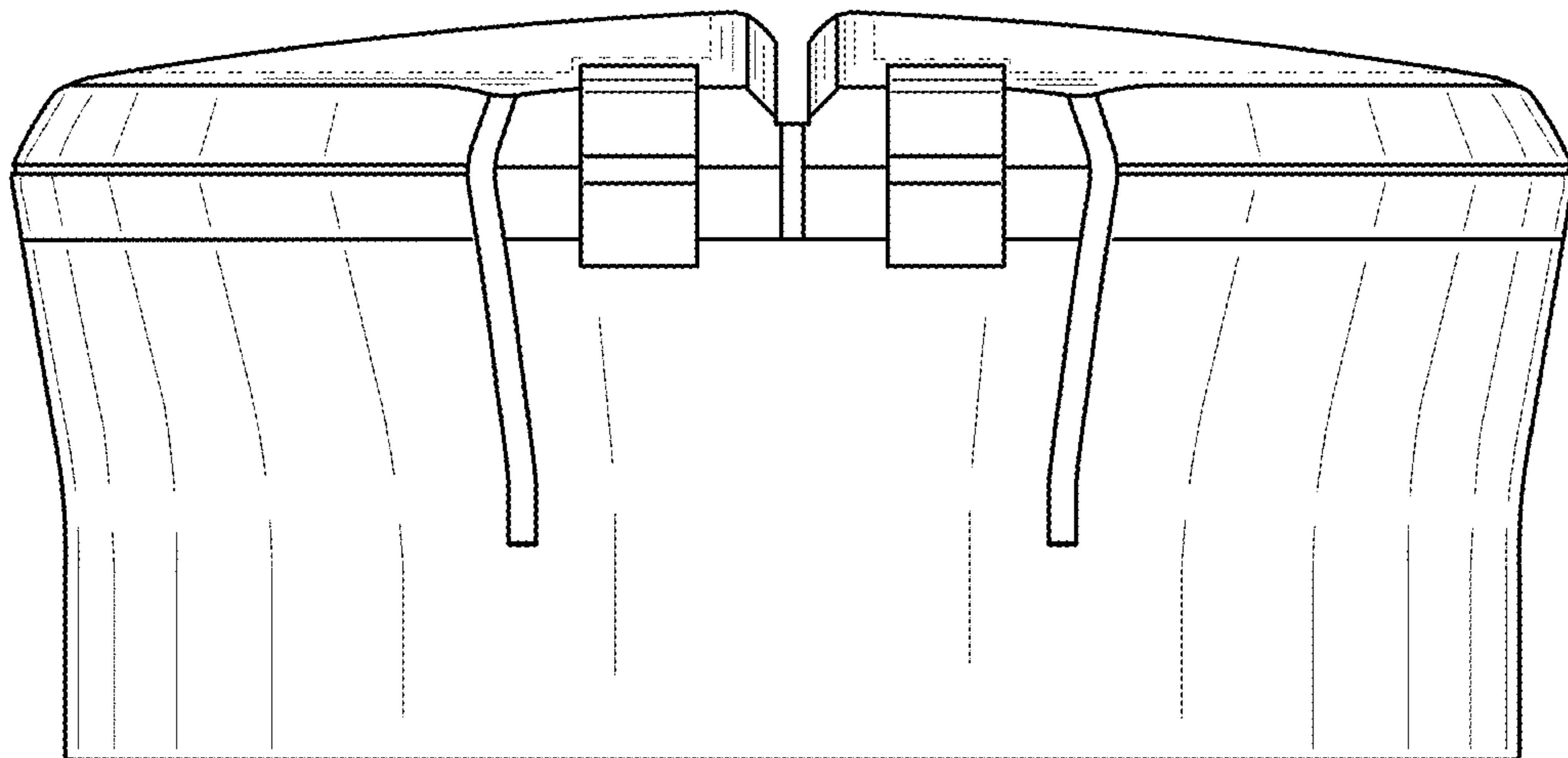


FIG. 7



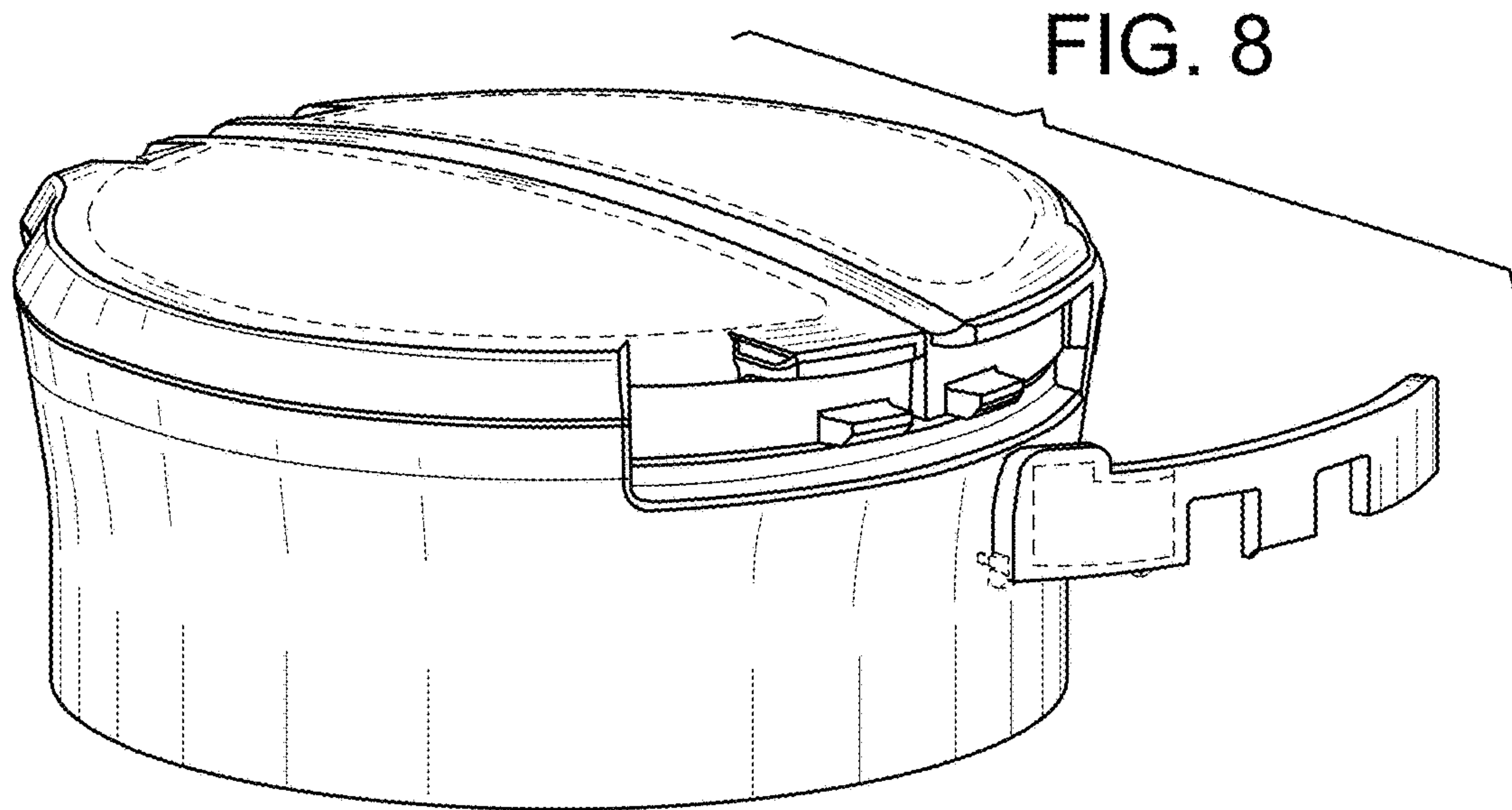


FIG. 9

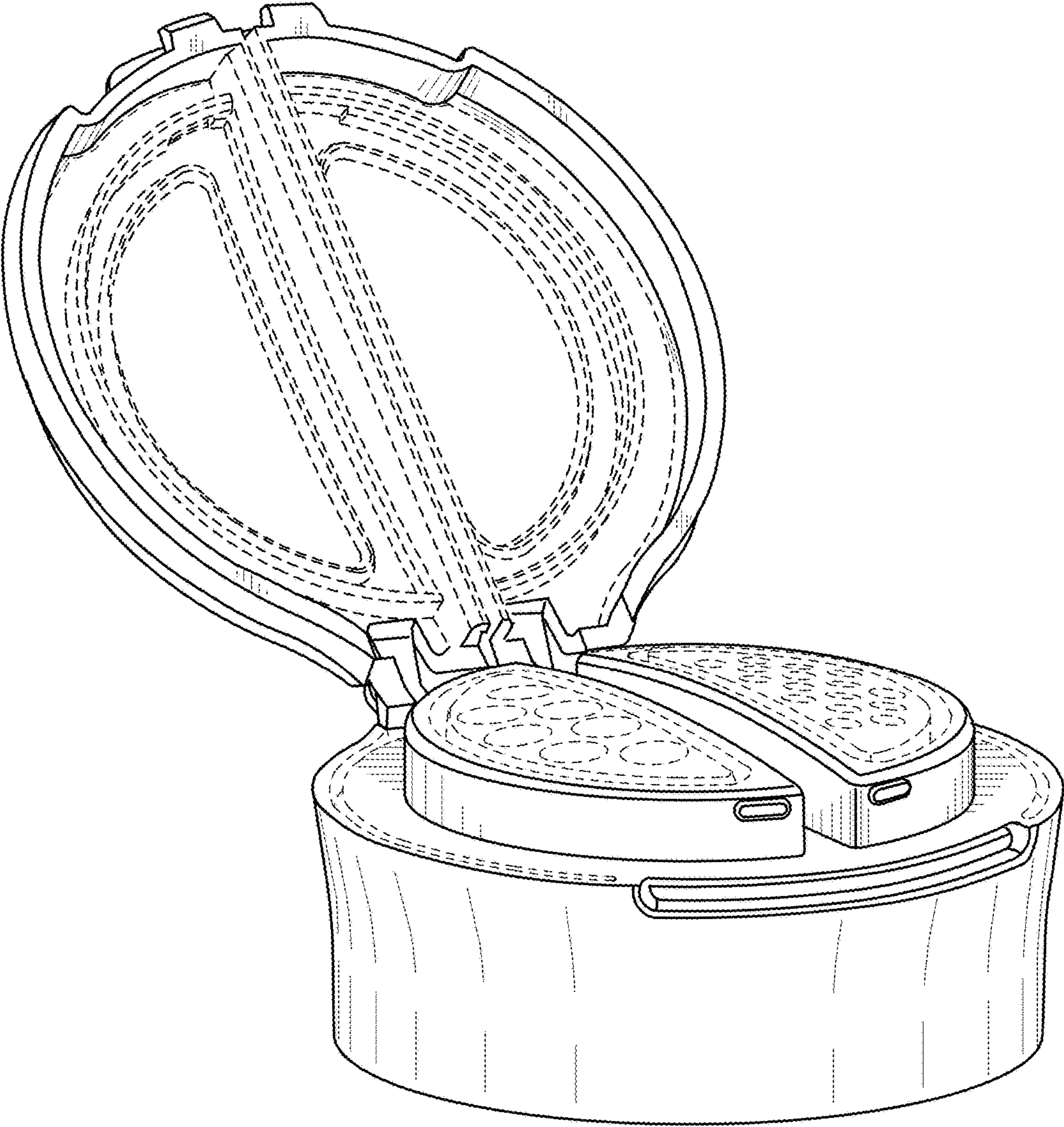


FIG. 10

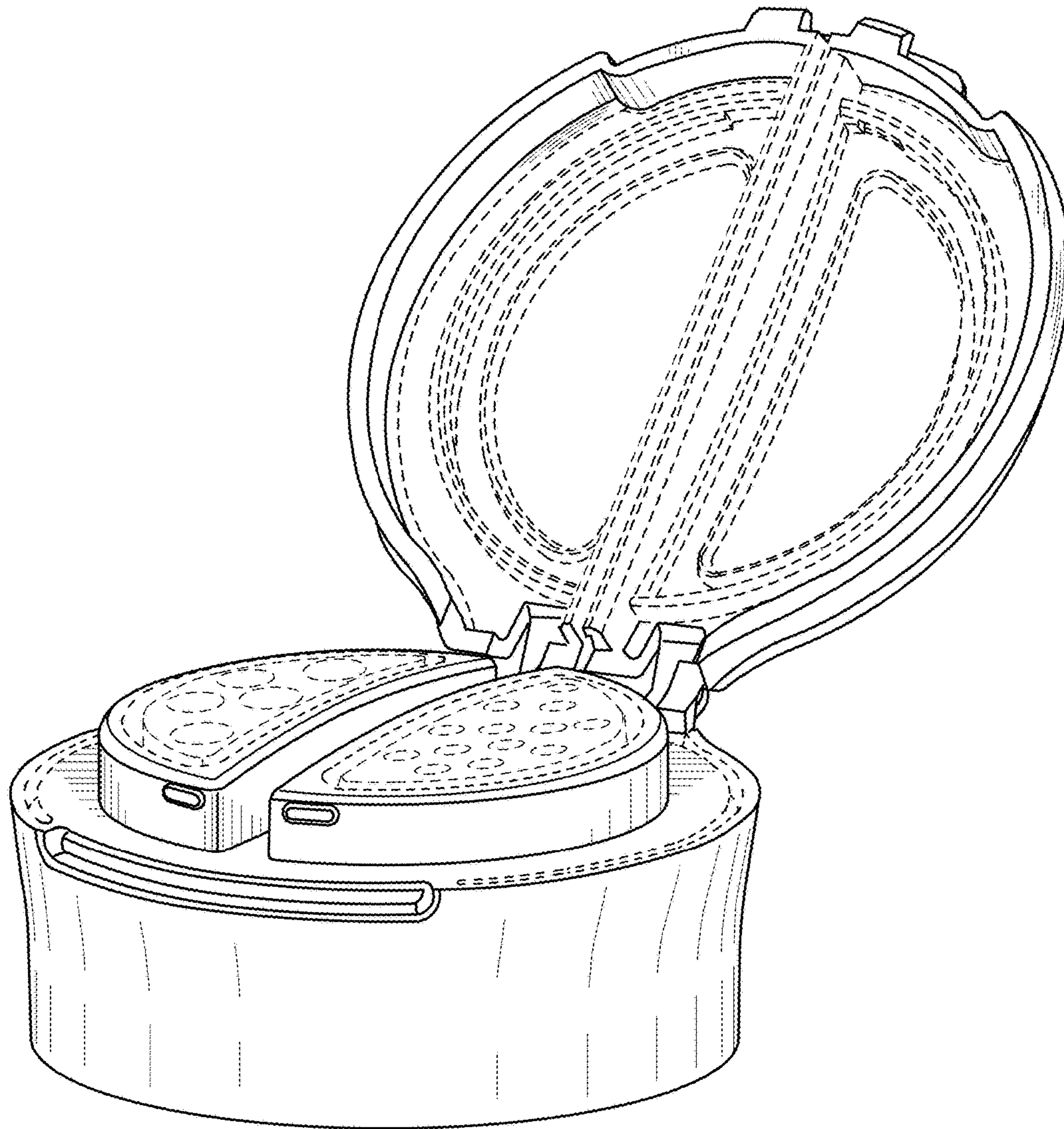


FIG. 11

