



US00D831483S

(12) **United States Design Patent** (10) **Patent No.:** **US D831,483 S**
Tseng et al. (45) **Date of Patent:** **** Oct. 23, 2018**

- (54) **CUP LID WITH SUPPORT FOR SMART PHONE**
- (71) Applicant: **Inteplast Group Corporation**,
Livingston, NJ (US)
- (72) Inventors: **Ben Tseng**, Somerset, NJ (US);
Li-yung Chang, Morristown, NJ (US);
Jerry Hsu, Closter, NJ (US);
Hou-cheng Su, Jersey City, NJ (US);
Szu-Yu Lin, East Hanover, NJ (US);
Jyh-yao Raphael Li, Parsippany, NJ (US)
- (73) Assignee: **Inteplast Group Corporation**,
Livingston, NJ (US)
- (**) Term: **15 Years**
- (21) Appl. No.: **29/595,500**
- (22) Filed: **Feb. 28, 2017**
- (51) **LOC (11) Cl.** **09-07**
- (52) **U.S. Cl.**
USPC **D9/447; D9/436; D7/396.2**
- (58) **Field of Classification Search**
USPC D3/202, 318; D7/300, 300.1, 313, 314,
D7/316, 387, 393, 396.1, 396.2, 396, 397,
D7/398, 401.1, 509, 510, 511, 523, 525,
D7/526, 527, 528, 538, 536, 602, 619.1,
D7/900; D9/414-435, 447, 452-457,
D9/499, 682, 685, 686, 688, 690, 723,
D9/724, 763, 772
CPC B65D 39/00; B65D 39/0047; B65D
39/0005; B65D 39/02; B65D 39/08;
B65D 39/14; B65D 39/19; B65D 50/00;
B65D 50/041; B65D 2543/00092; B65D
2543/00351; B65D 2543/00555; B65D
(Continued)

(56) **References Cited**

U.S. PATENT DOCUMENTS

- 4,085,861 A 4/1978 Ruff
- D376,317 S * 12/1996 Weiss D9/435
(Continued)

OTHER PUBLICATIONS

Photographs of Coffee Cup Lid (admitted prior art).
Primary Examiner — Jennifer Rivard
Assistant Examiner — Catherine S Posthauer
(74) *Attorney, Agent, or Firm* — Senniger Powers LLP

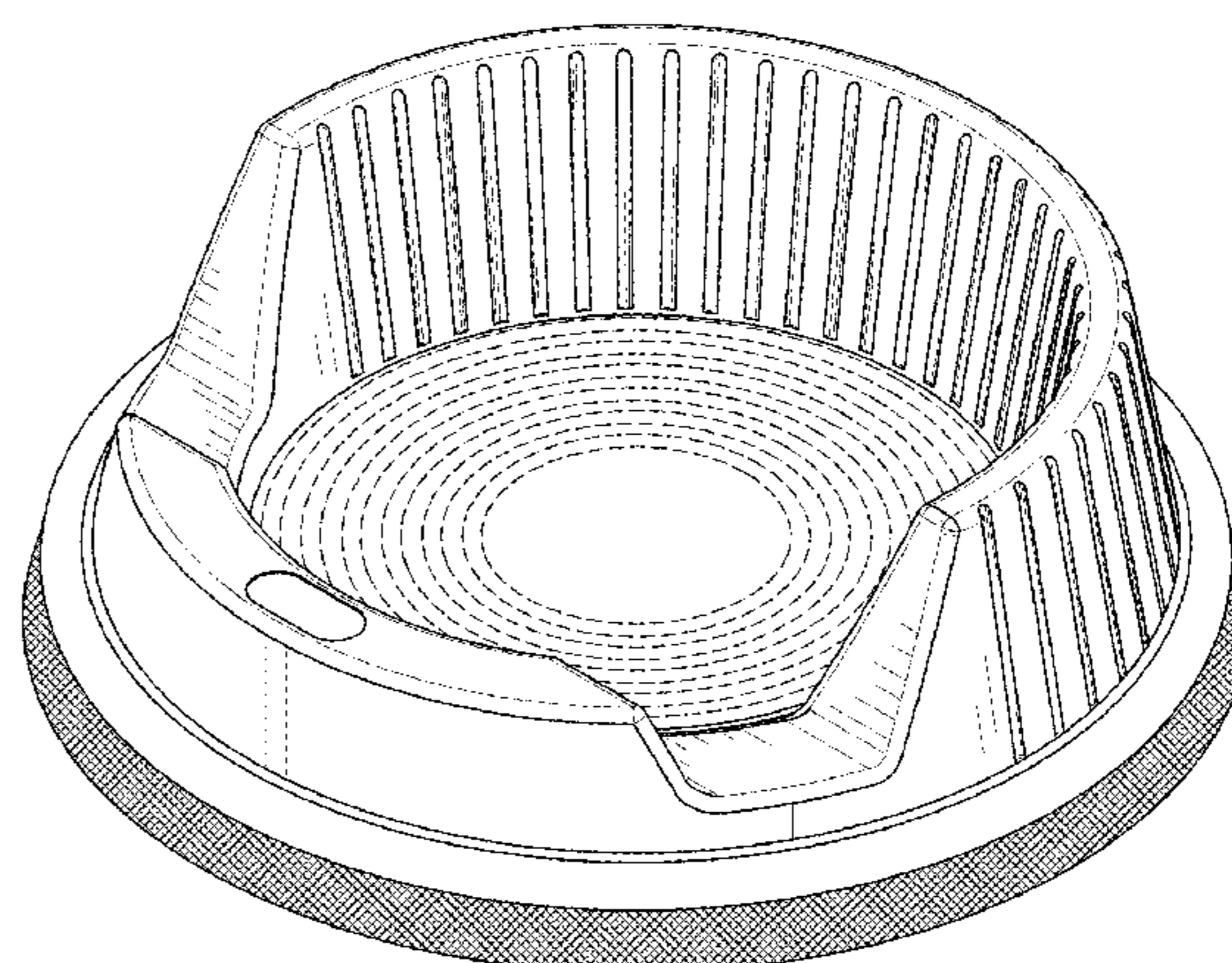
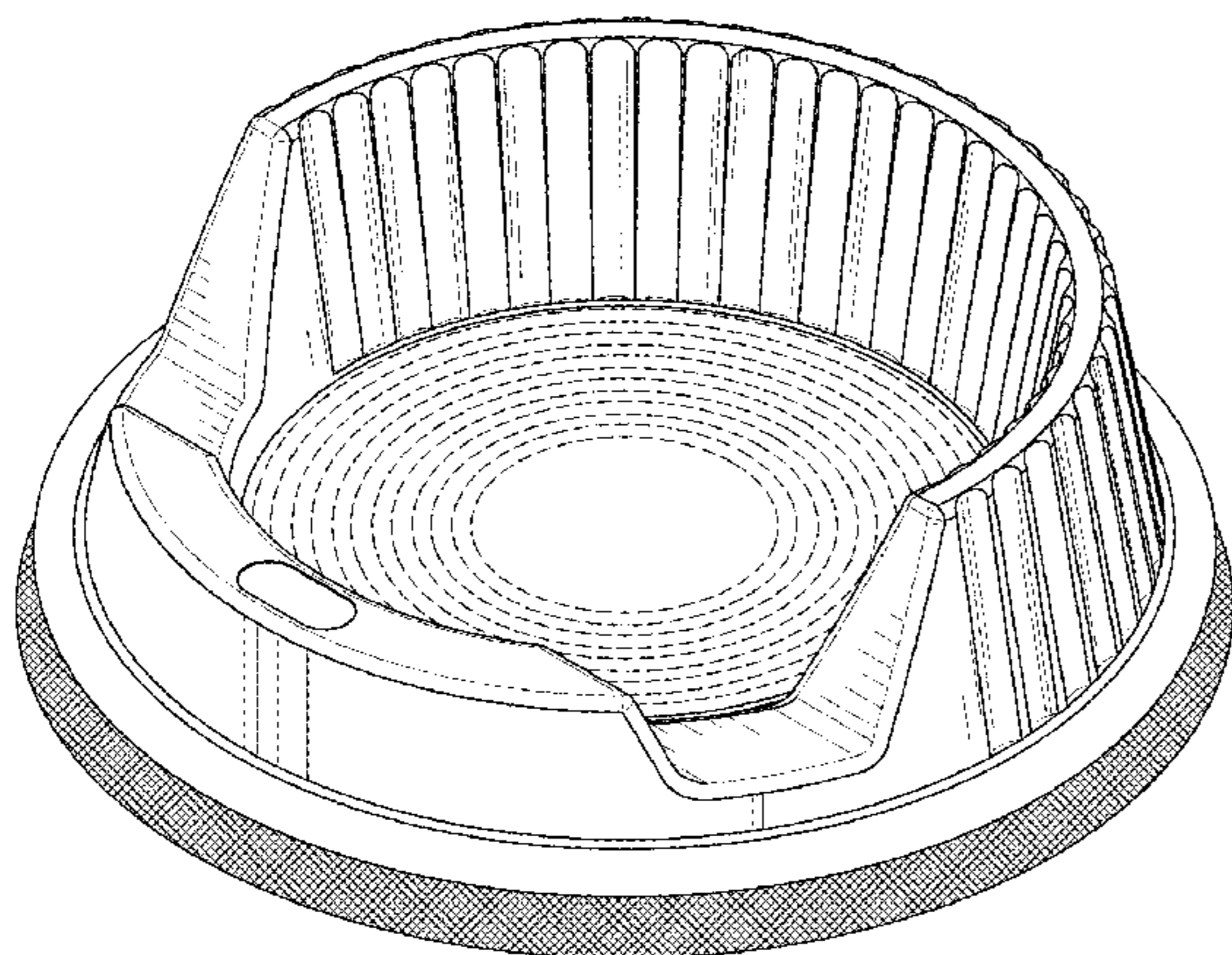
(57) **CLAIM**

The ornamental design for a cup lid with support for smart phone, as shown and described.

DESCRIPTION

FIG. 1 is a perspective view of a cup lid with support for smart phone;
FIG. 2 is a front view thereof;
FIG. 3 is a right side view thereof
FIG. 4 is a top view thereof;
FIG. 5 is a rear view thereof;
FIG. 6 is a left side view thereof;
FIG. 7 is a bottom view thereof;
FIG. 8 is a perspective view of another embodiment of a cup lid with support for smart phone;
FIG. 9 is a front view thereof;
FIG. 10 is a right side view thereof;
FIG. 11 is a top view thereof;
FIG. 12 is a rear view thereof;
FIG. 13 is a left side view thereof; and,
FIG. 14 is a bottom view thereof.
Broken lines in a long-short-short pattern depict unclaimed boundary lines between claimed subject matter and unclaimed subject matter.
Broken lines in a short-short-short pattern depict unclaimed subject matter.
The cross-hatched pattern extending around the exterior of the bottom rim of the lid represents an embossed texture.

1 Claim, 14 Drawing Sheets



(58) Field of Classification Search

CPC 2543/00685; B65D 2543/00796; B65D
 2543/00296; B65D 2543/00416; B65D
 2543/00638; B65D 2543/00731; B65D
 21/0228; B65D 51/02; B65D 51/04;
 B65D 51/18; B65D 51/28; B65D 51/242;
 B65D 51/2814; B65D 51/2821; B65D
 47/0895; B65D 47/148; B65D 47/36;
 B65D 43/02; B65D 43/14; B65D 43/16;
 B65D 43/26; B65D 43/0202; B65D
 43/0208; B65D 41/0483; B65D 41/0421;
 B65D 41/0485; B65D 41/3428; B65D
 41/48; B65D 41/485; B65D 41/045;
 B65D 71/00; B65D 5/503; B65D 5/36;
 B65D 41/16; B65D 41/17; B65D 41/26;
 B65D 41/32; B65D 41/0492; B65D
 41/0471; B65D 41/0428; B65D 41/0414;
 B65D 41/026; B65D 41/023; B65D
 41/003; B65D 41/02; B65D 41/00; B65D
 53/00; B65D 53/02; B65D 53/04; B65D
 2251/0018; B65D 2251/0081; B65D
 2251/0026; B65D 2251/009; B65D 25/00;
 B65D 25/40; B65D 25/42; B65D 25/46;
 B65D 25/48; B65D 25/77; B65D 23/08;
 B65D 83/40; B65D 83/205; B65D
 83/206; B65D 83/345; B65D 2255/00;
 A47J 43/27; A47J 36/06; A47J 36/10;
 A47J 36/14; A47G 19/22; A47G 19/2205;
 A47G 19/2222; A47G 19/2266; A47G
 19/2272; A47G 19/2294; A45D 40/081;
 A45D 40/0093; A45D 40/27; A45D
 34/00; B65B 11/0032; B65B 11/0056;
 B65B 11/3059; B65B 11/3097

See application file for complete search history.

(56)

References Cited

U.S. PATENT DOCUMENTS

D402,556	S *	12/1998	Frye	D9/447
D417,845	S *	12/1999	Sadlier	D7/511
D437,223	S *	2/2001	Coy	D9/447
D489,260	S *	5/2004	Smith	D9/447
D493,718	S *	8/2004	Durdon	D9/435
D514,444	S *	2/2006	Smith	D9/447
D516,424	S *	3/2006	Schweigert	D9/447
D623,941	S *	9/2010	Bendix	D9/447
D628,485	S *	12/2010	Golota	D9/455
D631,348	S *	1/2011	Weiss	D9/447
D660,696	S *	5/2012	Weiss	D9/447
D696,941	S *	1/2014	Kim	D9/447
D696,942	S *	1/2014	Kim	D9/447
D696,943	S *	1/2014	Kim	D9/447
D709,366	S *	7/2014	Fleming	D9/435
D711,226	S *	8/2014	Fleming	D9/435
D732,956	S *	6/2015	Brown	D9/447
9,114,920	B1 *	8/2015	Edelman	B65D 51/2835
2004/0178199	A1 *	9/2004	Stroup	A47G 21/12 220/212
2013/0020338	A1 *	1/2013	French	B65D 43/0208 220/713
2013/0082067	A1	4/2013	Drogo	
2014/0042177	A1 *	2/2014	Fleming	B65D 43/02 220/713
2014/0319138	A1 *	10/2014	Polt	B65D 43/065 220/254.3
2015/0014322	A1 *	1/2015	Kim	B65D 43/0212 220/373
2016/0065705	A1	3/2016	Nam	
2016/0270571	A1 *	9/2016	Wang	A47G 19/2272
2017/0303713	A1 *	10/2017	Fleming	A47G 19/2272

* cited by examiner

FIG. 1

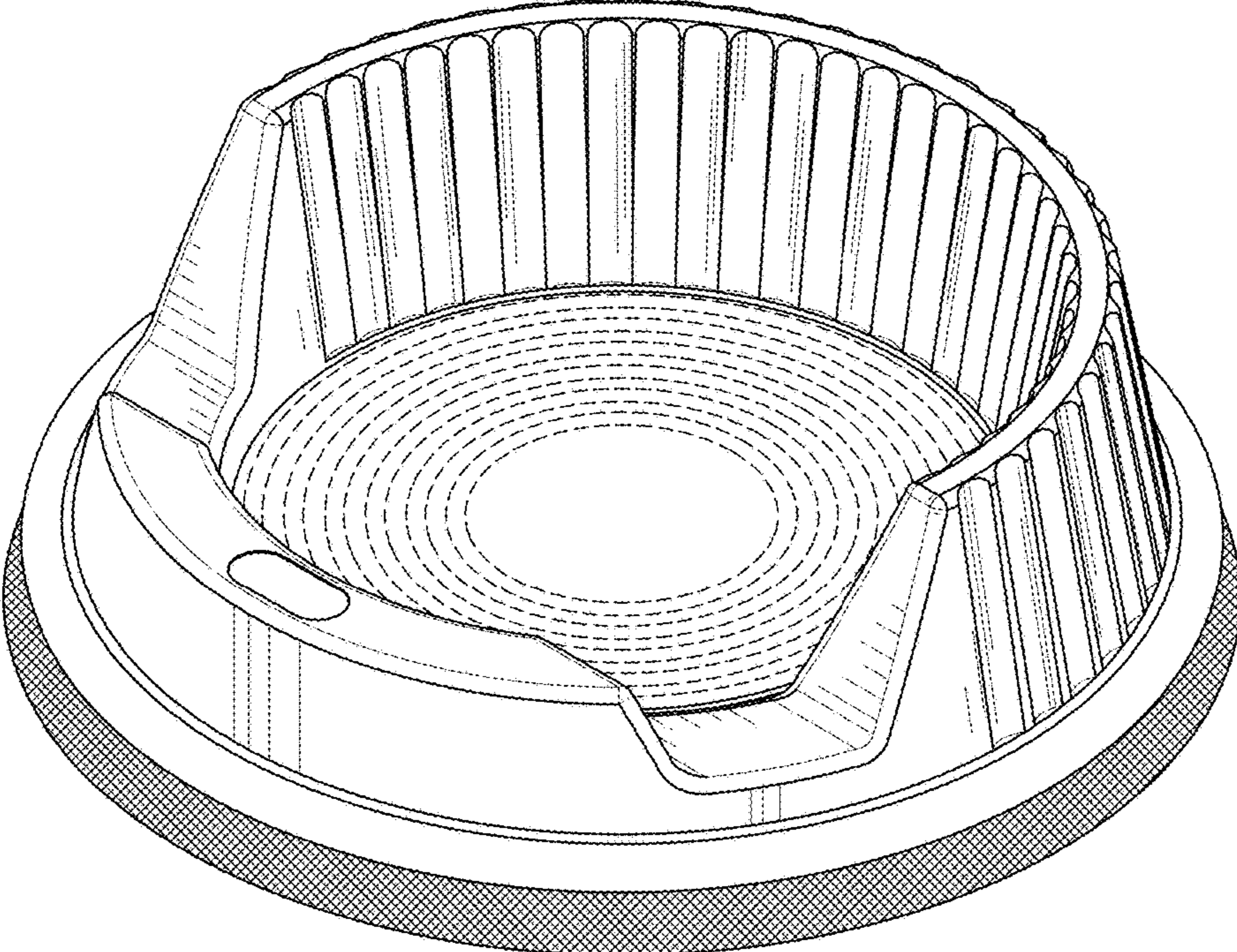


FIG. 2

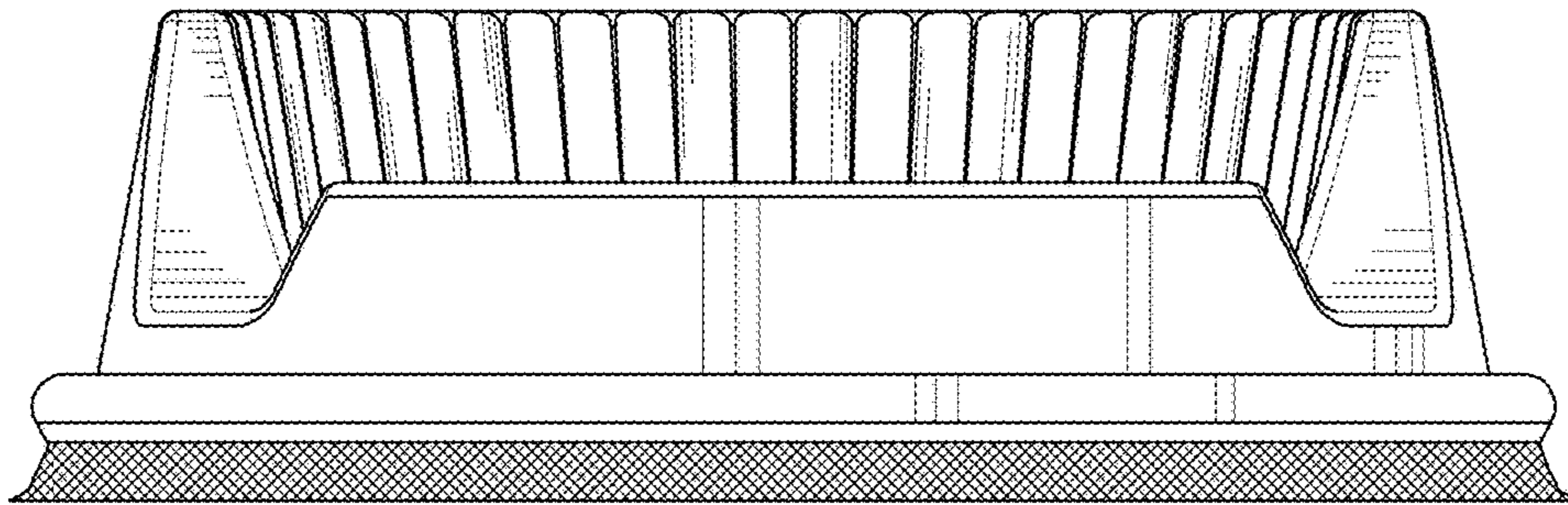


FIG. 3

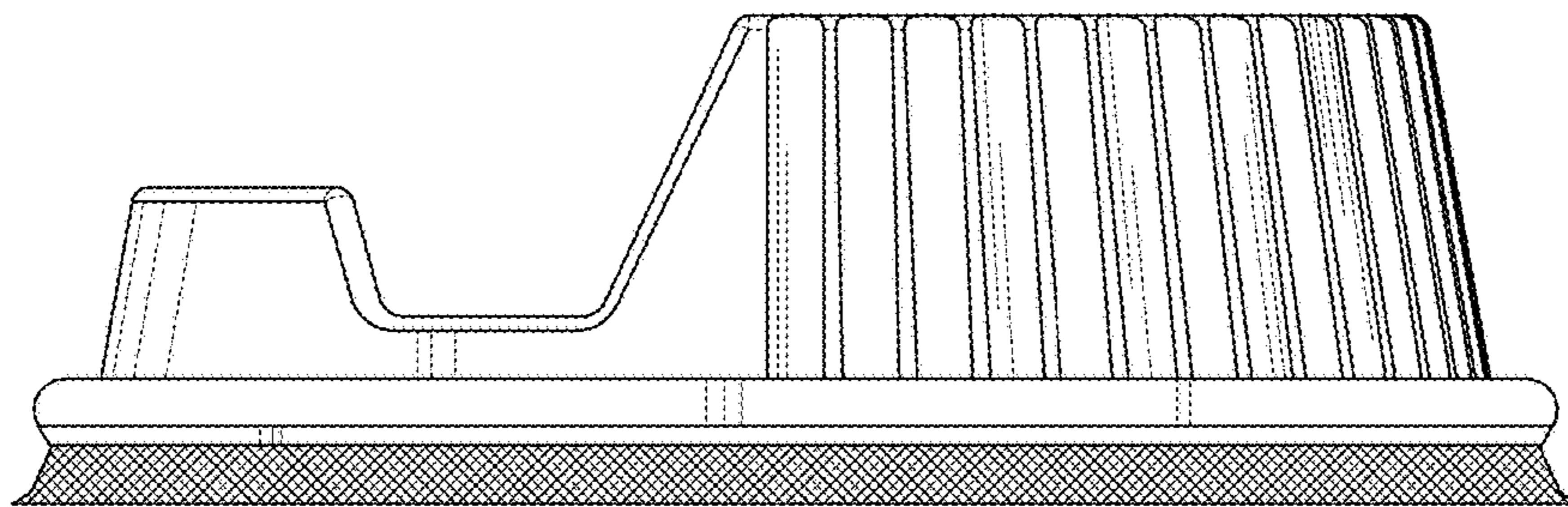


FIG. 4

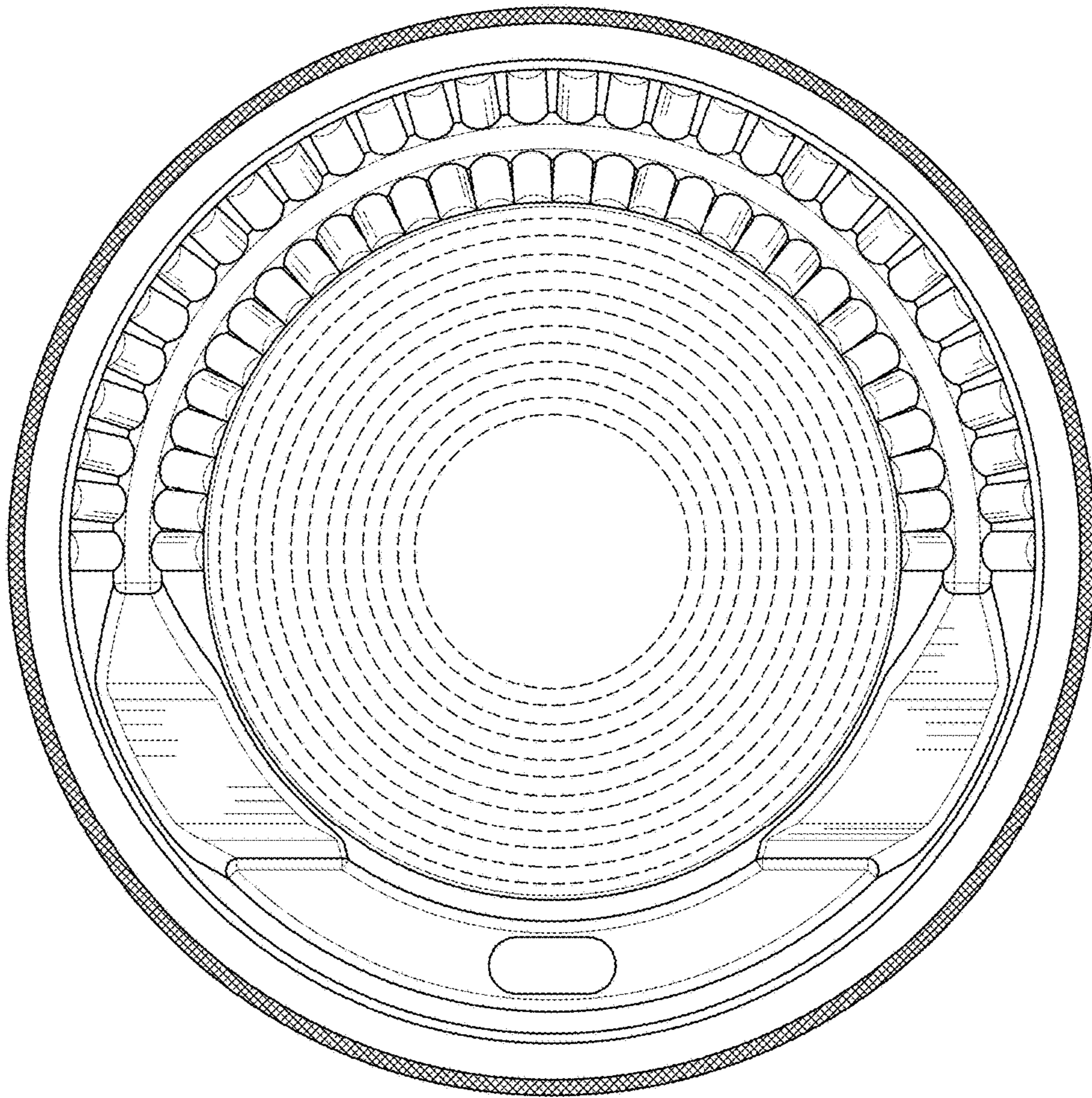


FIG. 5

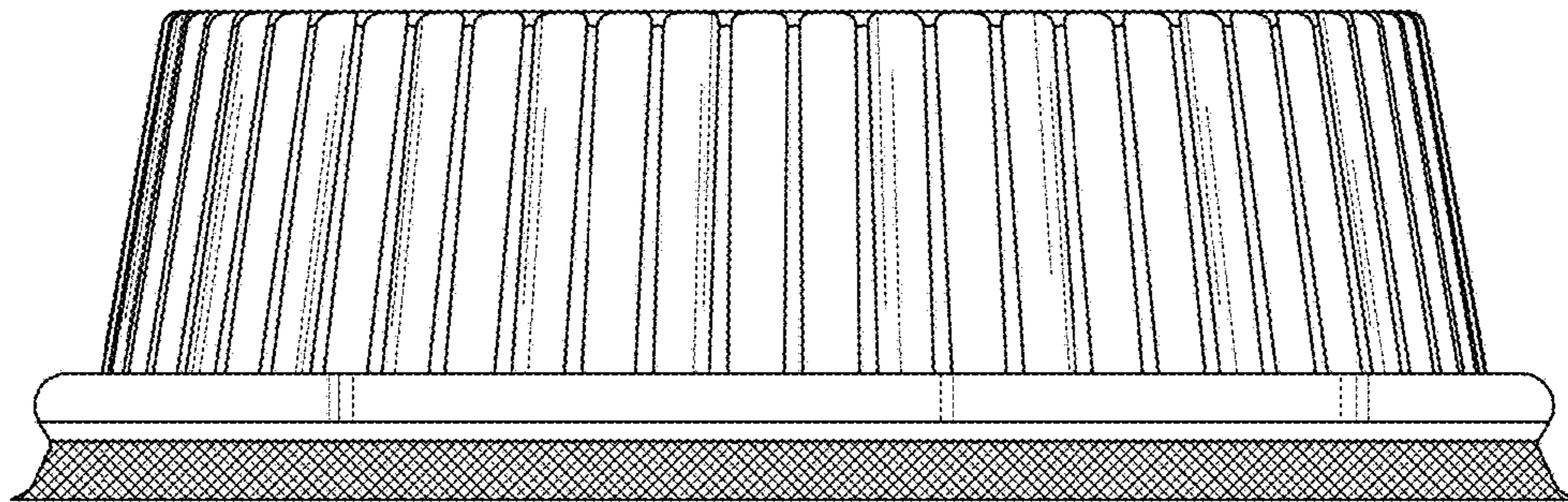


FIG. 6

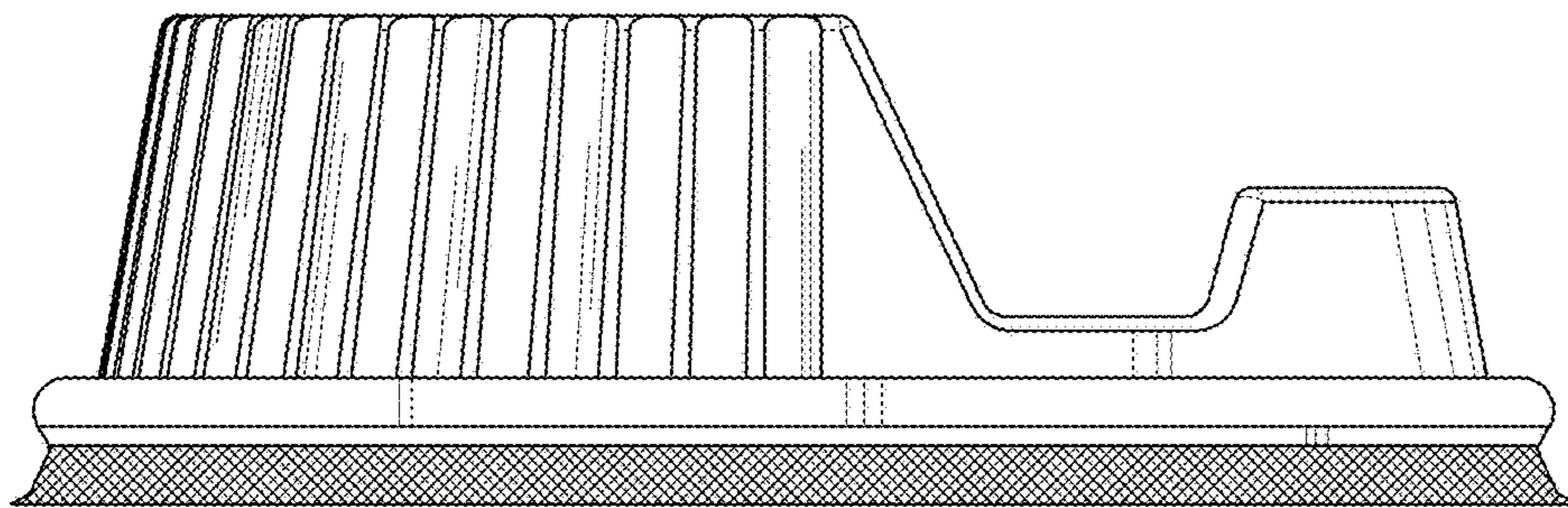


FIG. 7

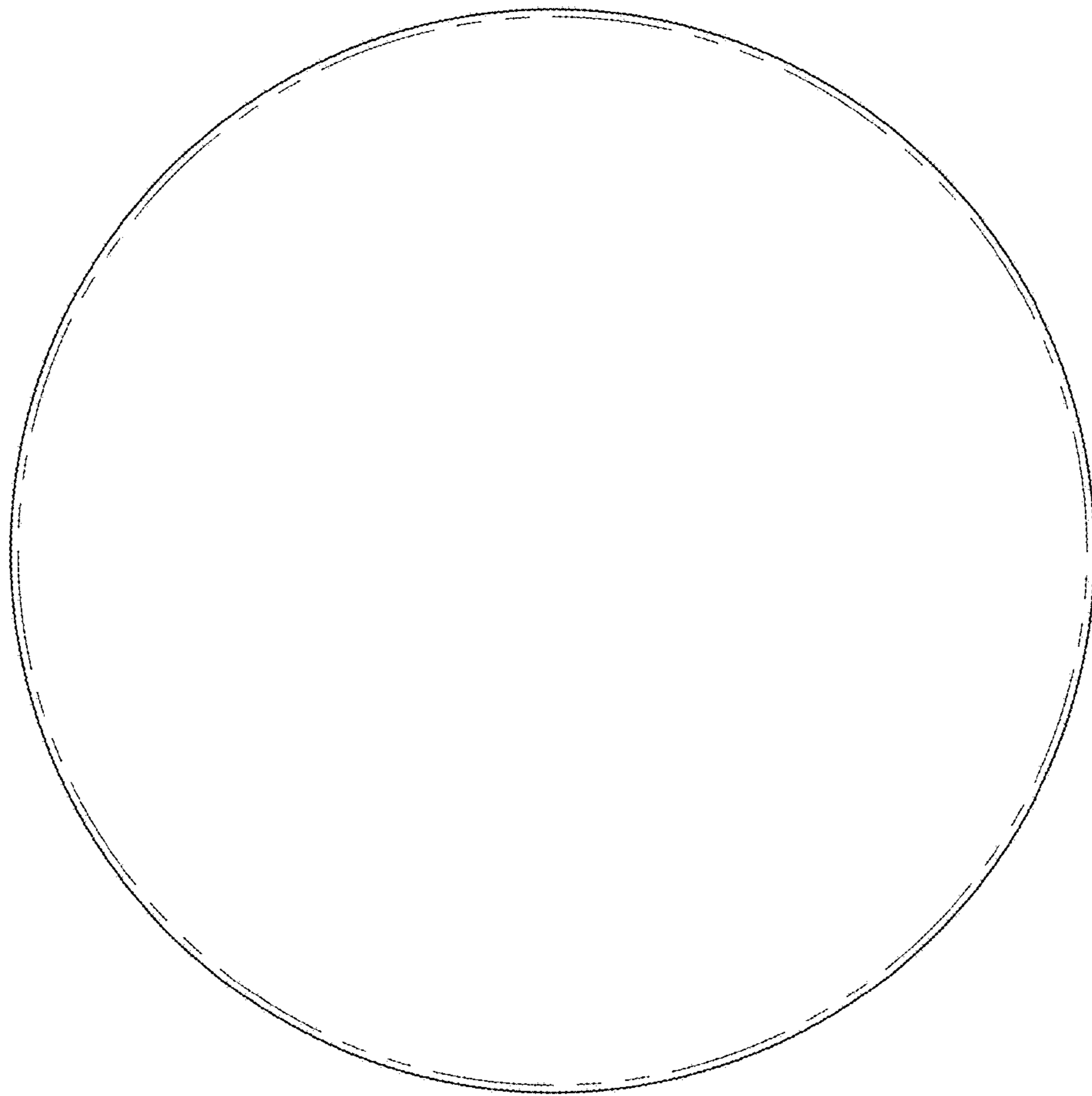


FIG. 8

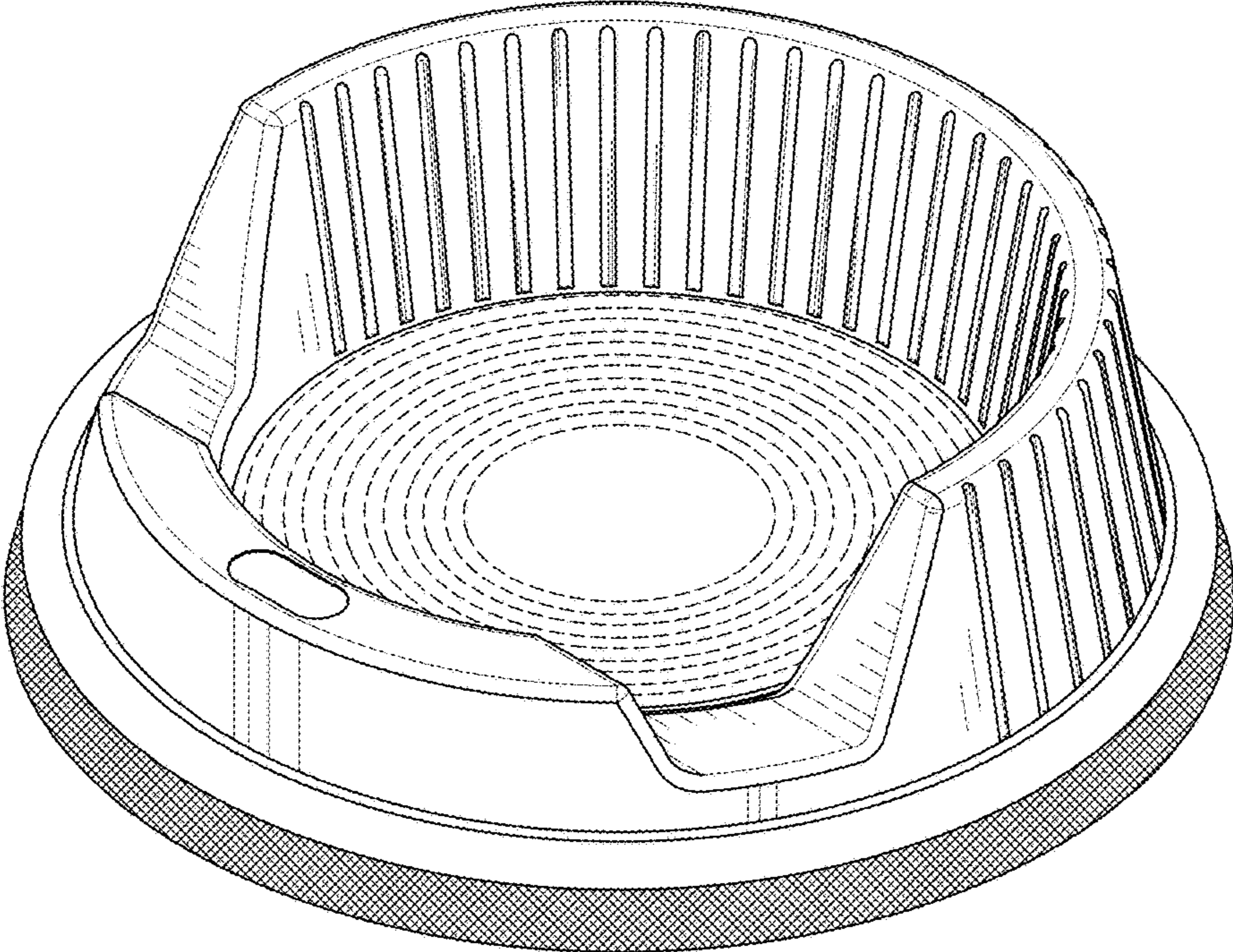


FIG. 9

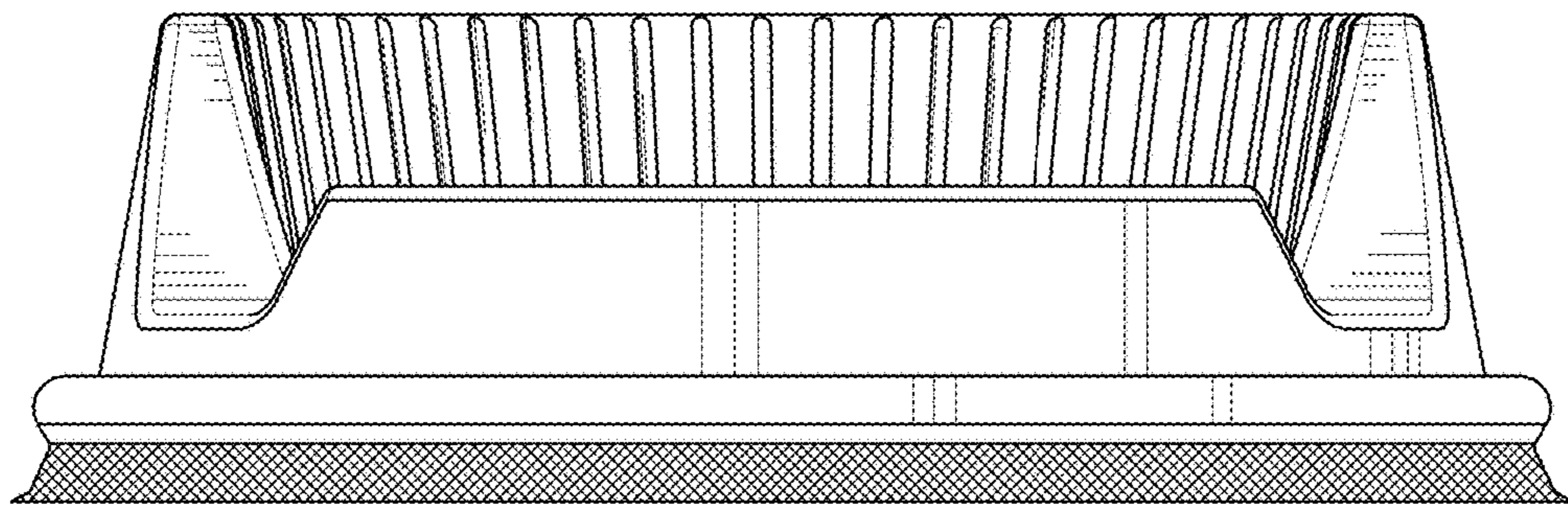


FIG. 10

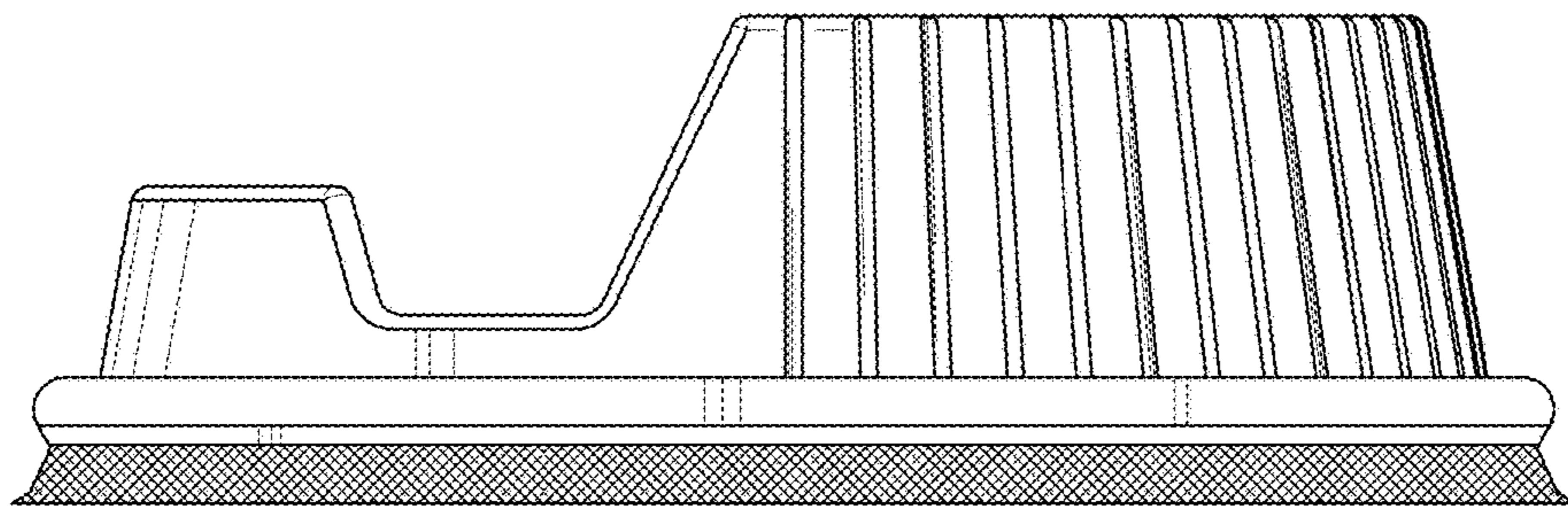


FIG. 11

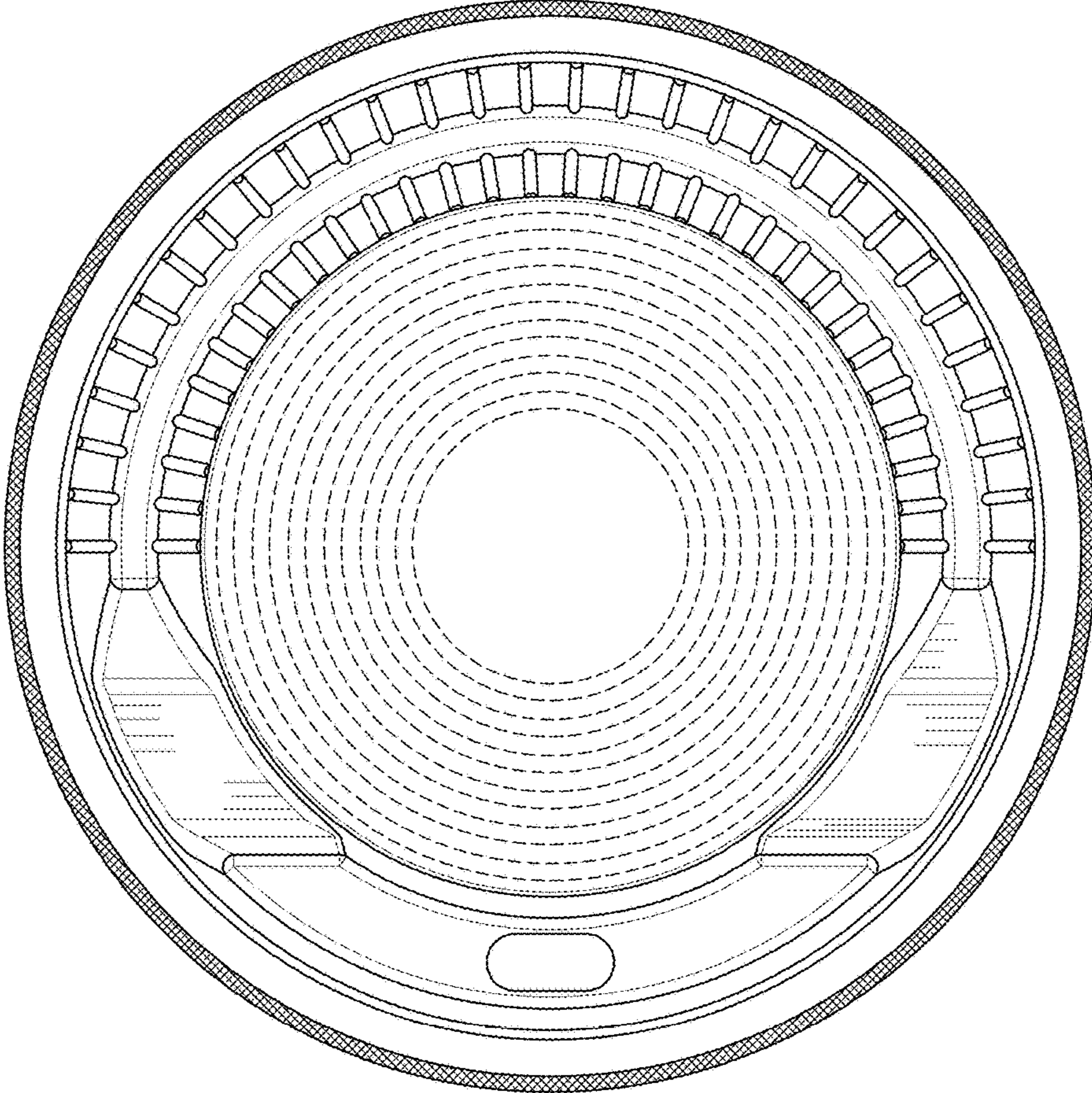


FIG. 12

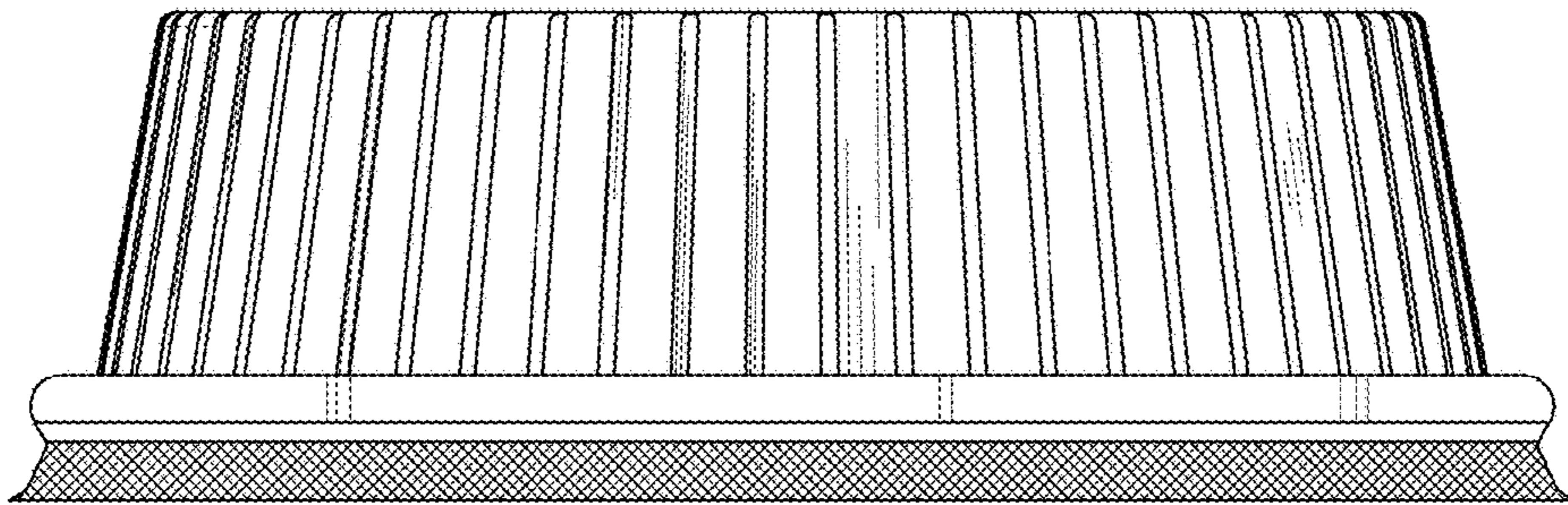


FIG. 13

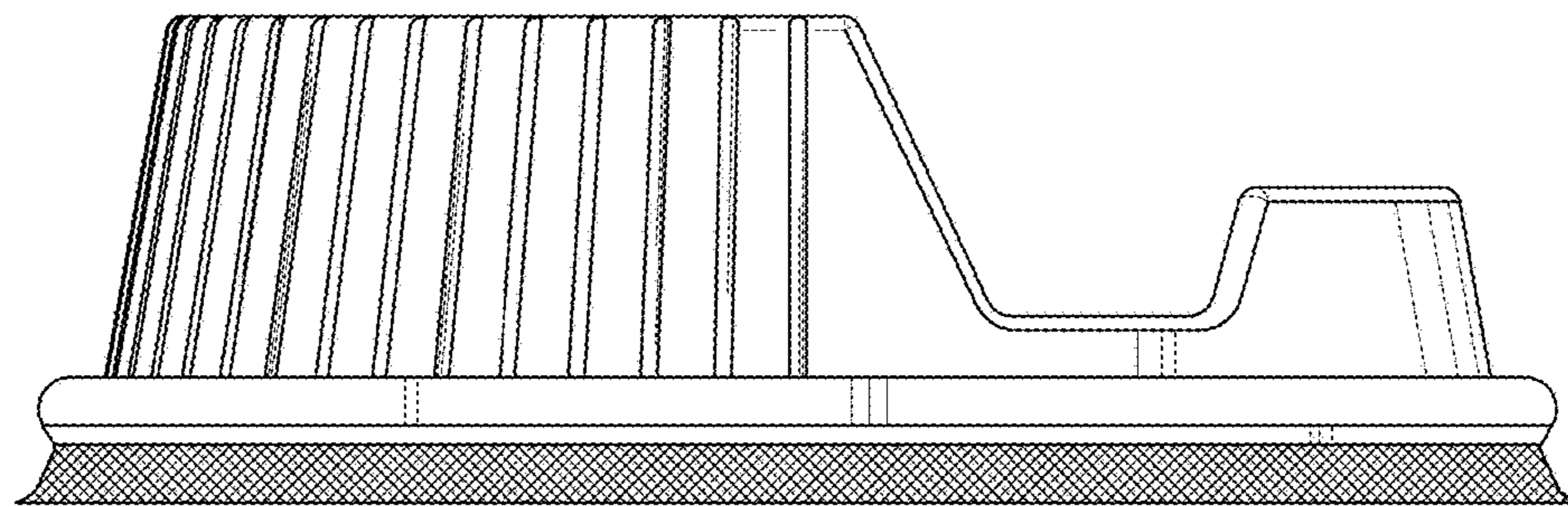


FIG. 14

