



US00D831479S

(12) **United States Design Patent**  
**Lylyk**

(10) **Patent No.:** **US D831,479 S**

(45) **Date of Patent:** **\*\* Oct. 23, 2018**

(54) **CONTAINER UNIT**

(71) Applicant: **Otto LLC**, San Mateo, CA (US)

(72) Inventor: **Nicolas Pedro Lylyk**, Palo Alto, CA (US)

(73) Assignee: **Otto LLC**, San Mateo, CA (US)

(\*\*) Term: **15 Years**

(21) Appl. No.: **29/614,579**

(22) Filed: **Aug. 21, 2017**

(51) **LOC (11) Cl.** ..... **09-03**

(52) **U.S. Cl.**  
USPC ..... **D9/432**

(58) **Field of Classification Search**

USPC ..... D9/414, 424, 425, 432, 721; D7/601, D7/602, 629; D3/201, 203.3, 205, 206, D3/273, 302

CPC ..... A45C 2011/002; A45C 11/00; A45C 2011/003; B65D 85/00; B65D 81/022; B65D 2543/00194; B65D 81/05; B65D 2543/00296; B65D 2251/105; B65D 77/02; B65D 51/249; B65D 2543/00101; B65D 2585/56; B65D 2585/6835; B65D 25/04; B65D 43/02; B65D 51/1666; B65D 5/2019; B65D 5/665; B65D 81/3813; B65D 81/3825; B65D 83/0445

See application file for complete search history.

(56) **References Cited**

**U.S. PATENT DOCUMENTS**

D63,506 S *	12/1923	Slater	.....	D28/83
D158,175 S *	4/1950	Castelli	.....	D3/205
D316,036 S *	4/1991	Kaplan	.....	D9/423
D343,095 S *	1/1994	Wass	.....	D7/628
D361,661 S *	8/1995	Masuda	.....	D3/273
D389,639 S *	1/1998	Priebe	.....	D3/203.8
6,092,519 A *	7/2000	Fish	.....	F17C 13/00
				126/263.01
D438,378 S *	3/2001	Charness	.....	D3/273

D455,005 S *	4/2002	Wolf	.....	D3/205
D518,287 S *	4/2006	Margiotta	.....	D3/203.3
D547,175 S *	7/2007	Berg	.....	D9/420
D562,545 S *	2/2008	Dawson	.....	D3/203.1
D588,799 S *	3/2009	Garland	.....	D3/205
D665,253 S *	8/2012	Bellamah	.....	D9/424

(Continued)

*Primary Examiner* — Lauren R Calve

(74) *Attorney, Agent, or Firm* — Nelson Mullins Riley & Scarborough LLP; Anthony A. Laurentano

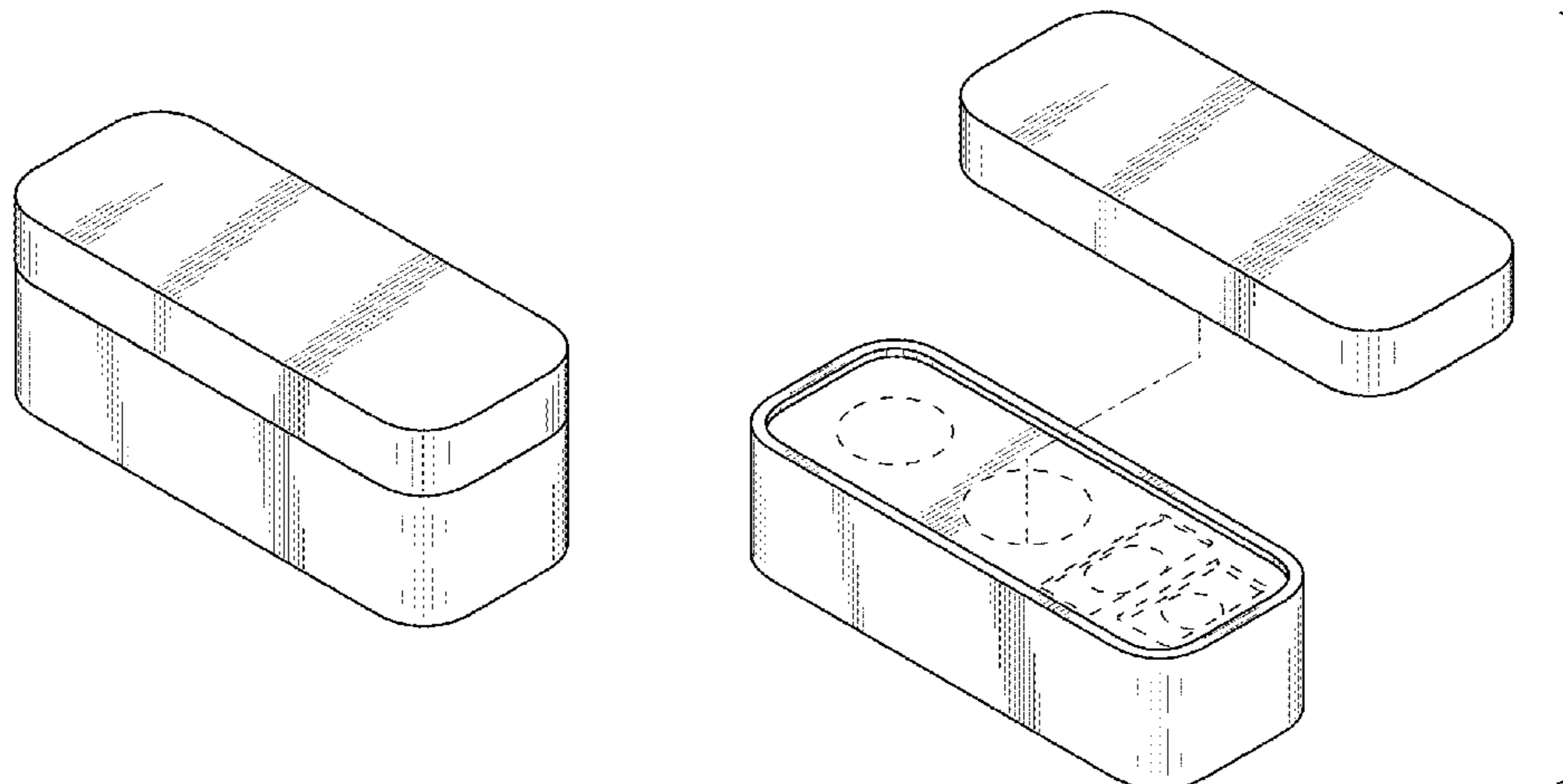
(57) **CLAIM**

The ornamental design for a container unit, as shown and described.

**DESCRIPTION**

FIG. 1 is a top, front, and left side perspective view of an assembled container unit showing the new design;  
 FIG. 2 is a right side view thereof;  
 FIG. 3 is top view thereof;  
 FIG. 4 is a front view thereof;  
 FIG. 5 is a right side view thereof;  
 FIG. 6 is a rear side view thereof;  
 FIG. 7 is a bottom view thereof;  
 FIG. 8 is a top, front, and left side perspective view of the top and bottom halves of the container unit unassembled of the new design;  
 FIG. 9 is a left side view of the unassembled container unit of the new design;  
 FIG. 10 is a top view of each half thereof;  
 FIG. 11 is a front view of each half thereof;  
 FIG. 12 is a right side view of each half thereof;  
 FIG. 13 is a rear view of each half thereof;  
 FIG. 14 is a bottom view of each half thereof; and,  
 FIG. 15 is a bottom perspective view of each half thereof.  
 The container unit details shown in dashed lines are for illustrative purposes only and form no part of the claimed ornamental design.

**1 Claim, 6 Drawing Sheets**



(56)

**References Cited**

U.S. PATENT DOCUMENTS

D686,491 S \* 7/2013 Kuo ..... D9/432  
D772,572 S \* 11/2016 Palmborg ..... D3/201  
D778,156 S \* 2/2017 Follett ..... D9/432  
D799,201 S \* 10/2017 Agbeyo ..... D3/201  
D806,389 S \* 1/2018 Muhlenkamp, IV ..... D3/295  
9,900,412 B2 \* 2/2018 Daniell ..... H04M 1/0283  
2002/0079244 A1 \* 6/2002 Kwong ..... A45C 3/00  
206/305  
2006/0086637 A1 \* 4/2006 Chen ..... A45C 13/021  
206/524.8  
2011/0077061 A1 \* 3/2011 Danze ..... H04M 1/185  
455/575.1  
2014/0361132 A1 \* 12/2014 Busby ..... A45C 11/04  
248/213.2  
2018/0072488 A1 \* 3/2018 Benoit ..... B65D 25/102

\* cited by examiner

FIG. 1

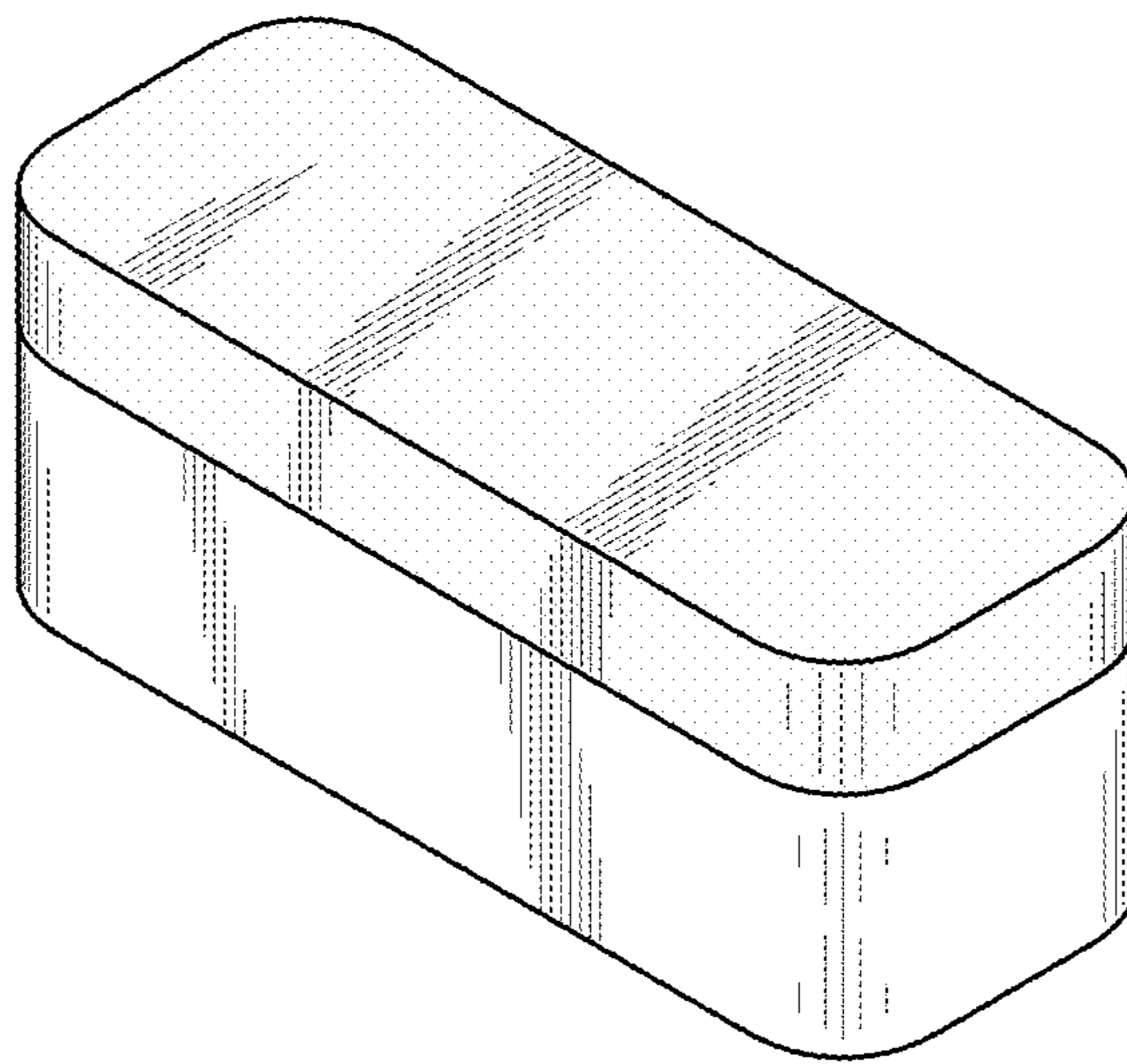


FIG. 2

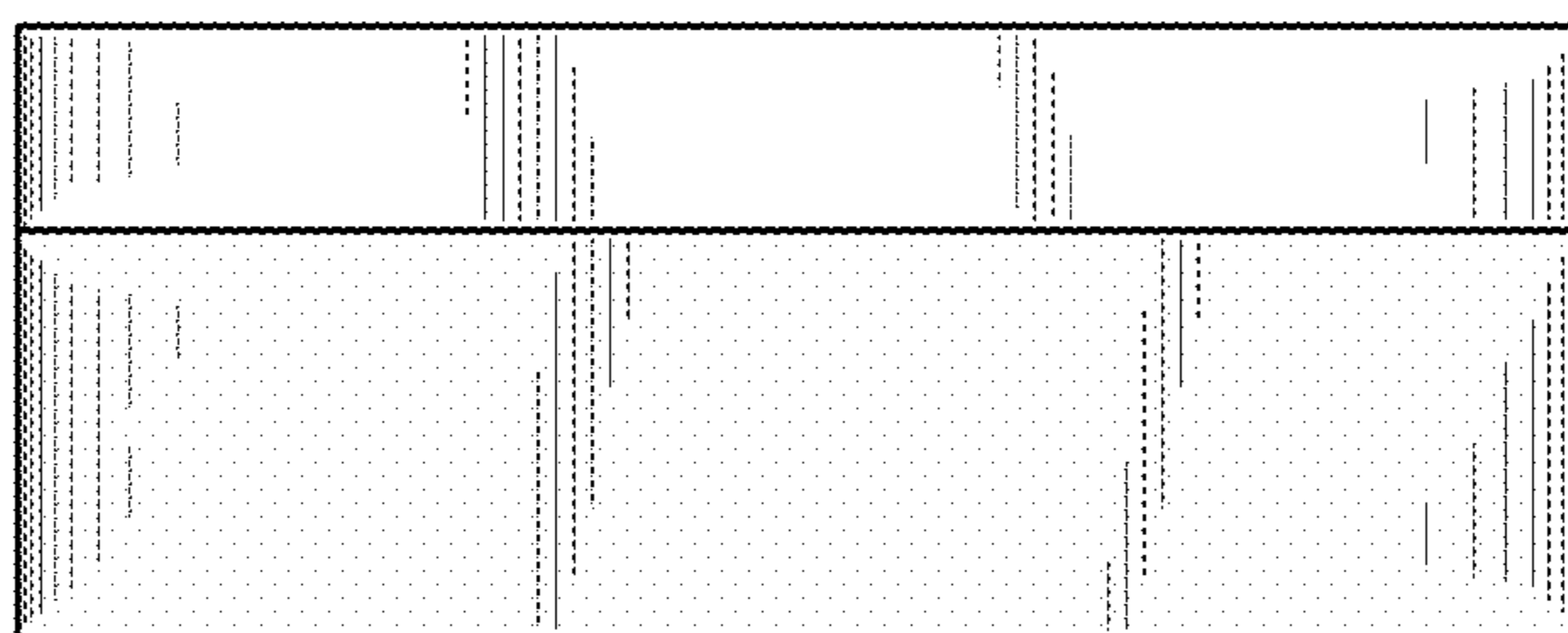


FIG. 3

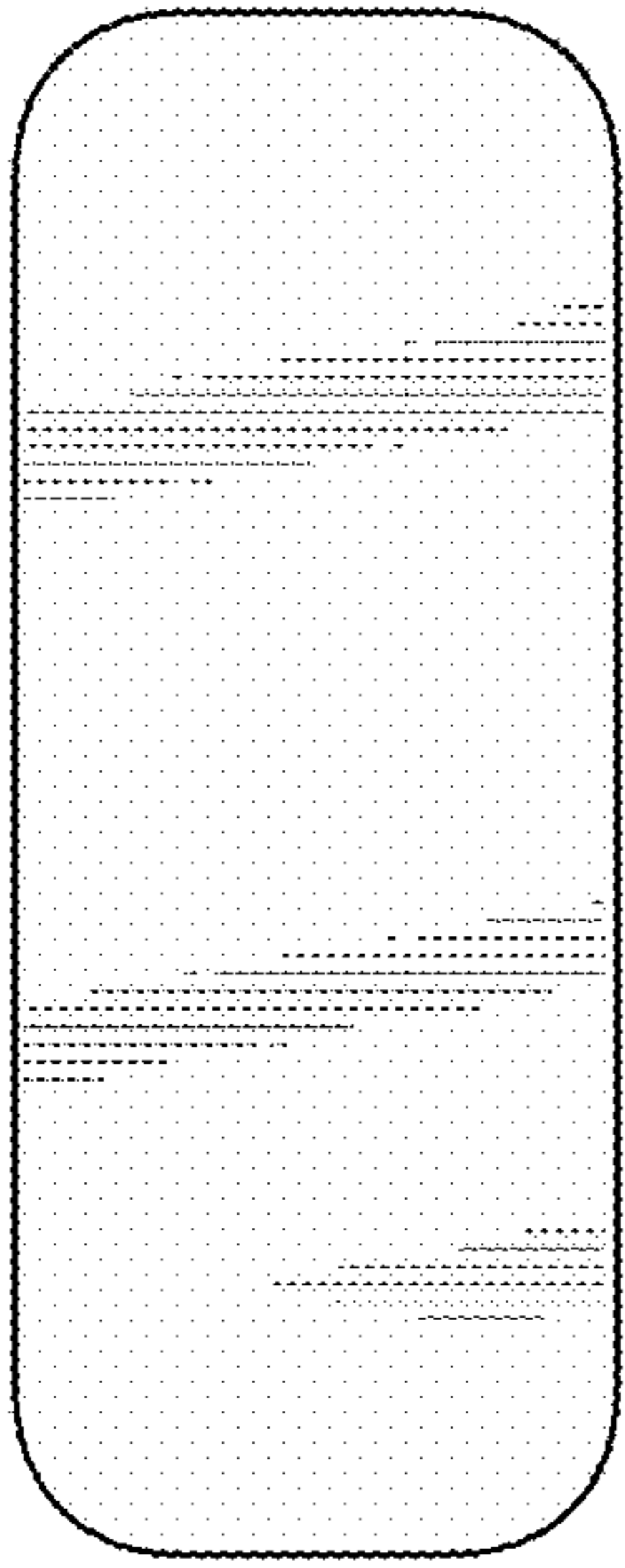


FIG. 4

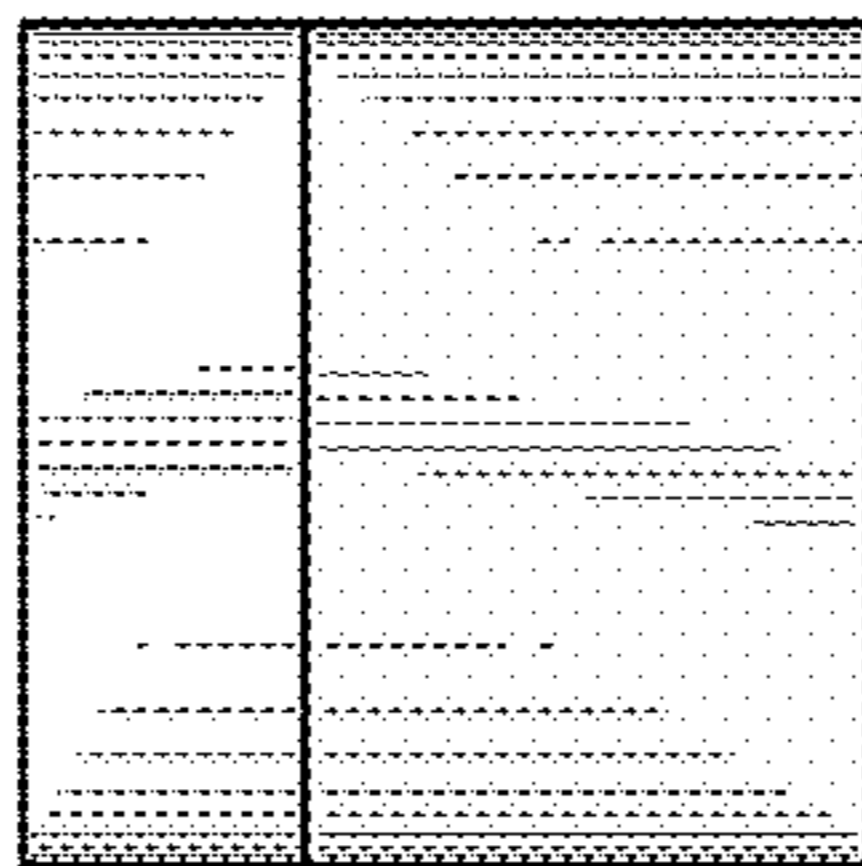


FIG. 5

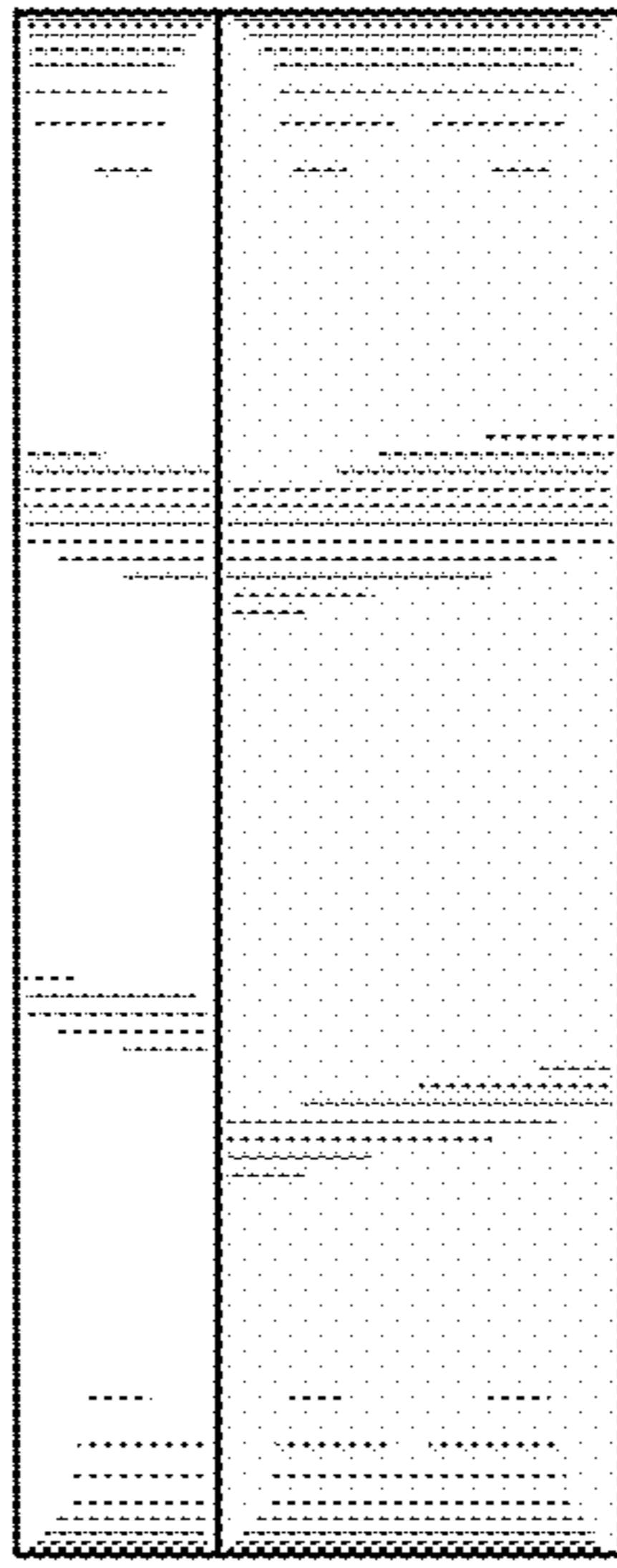


FIG. 6

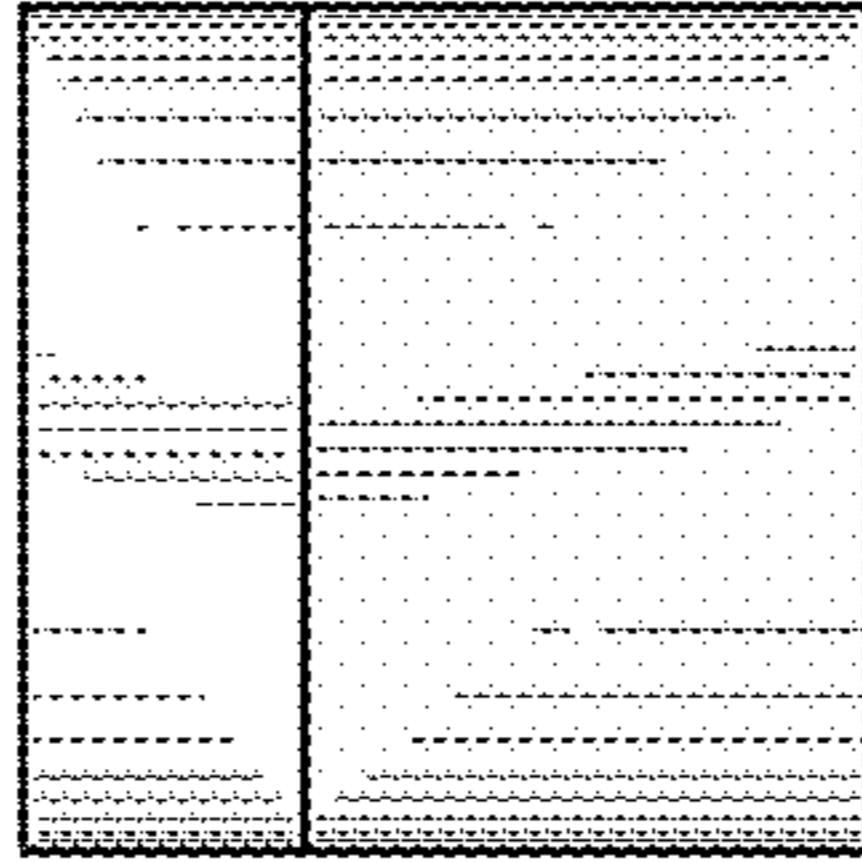


FIG. 7

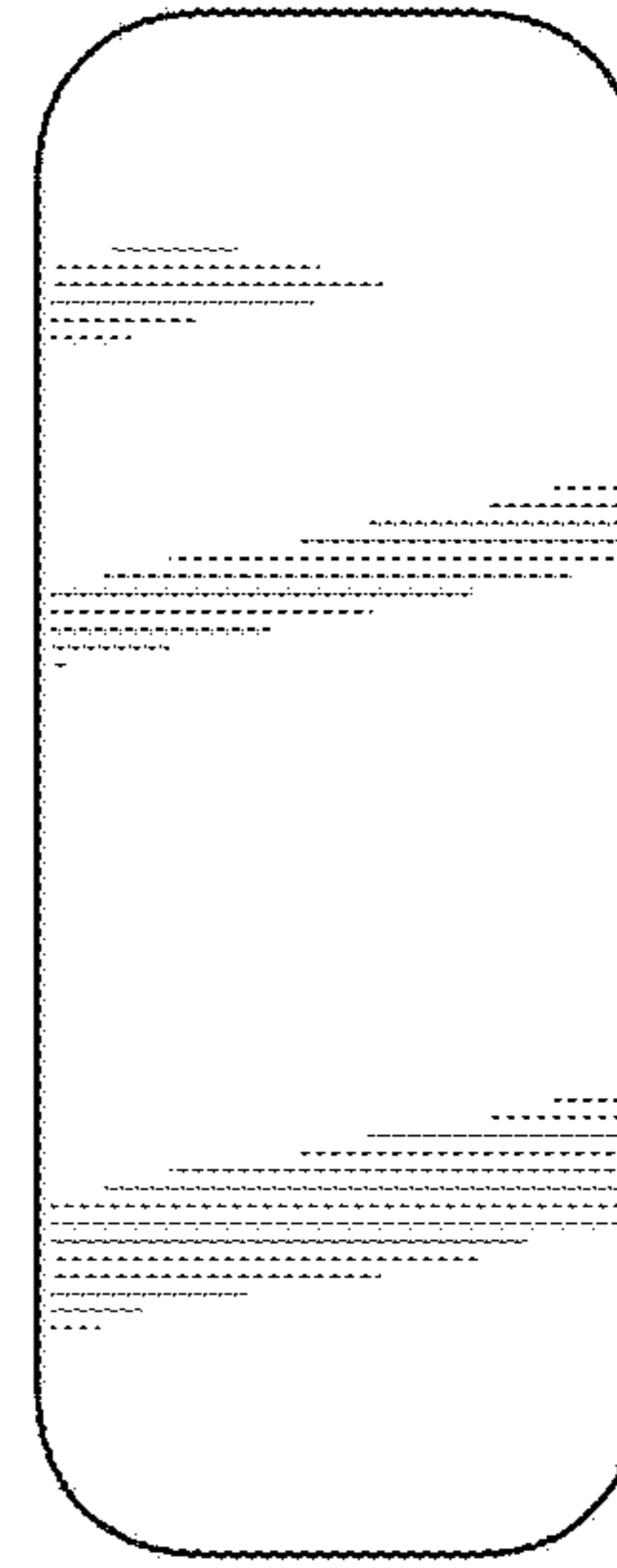


FIG. 8

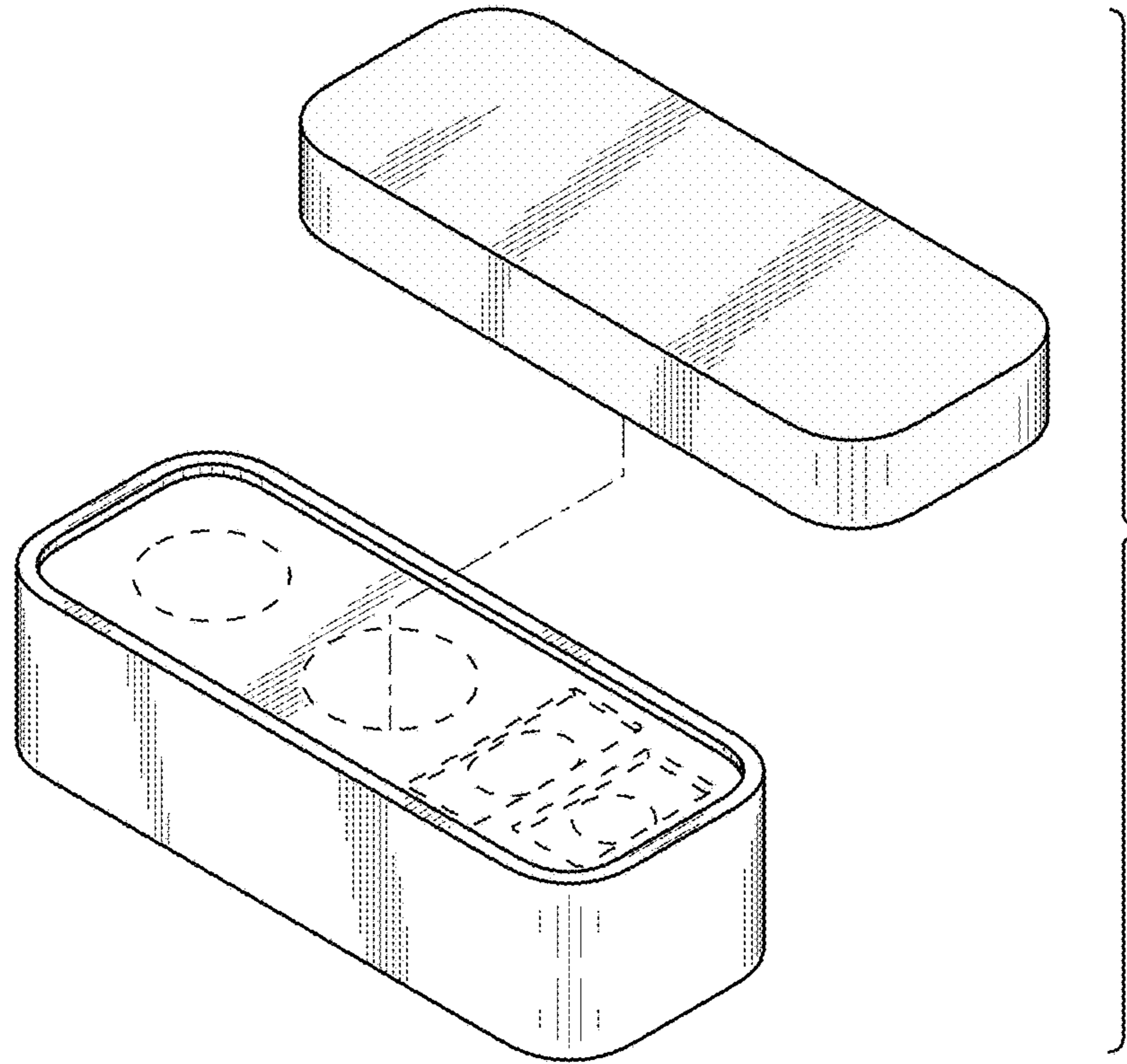


FIG. 9

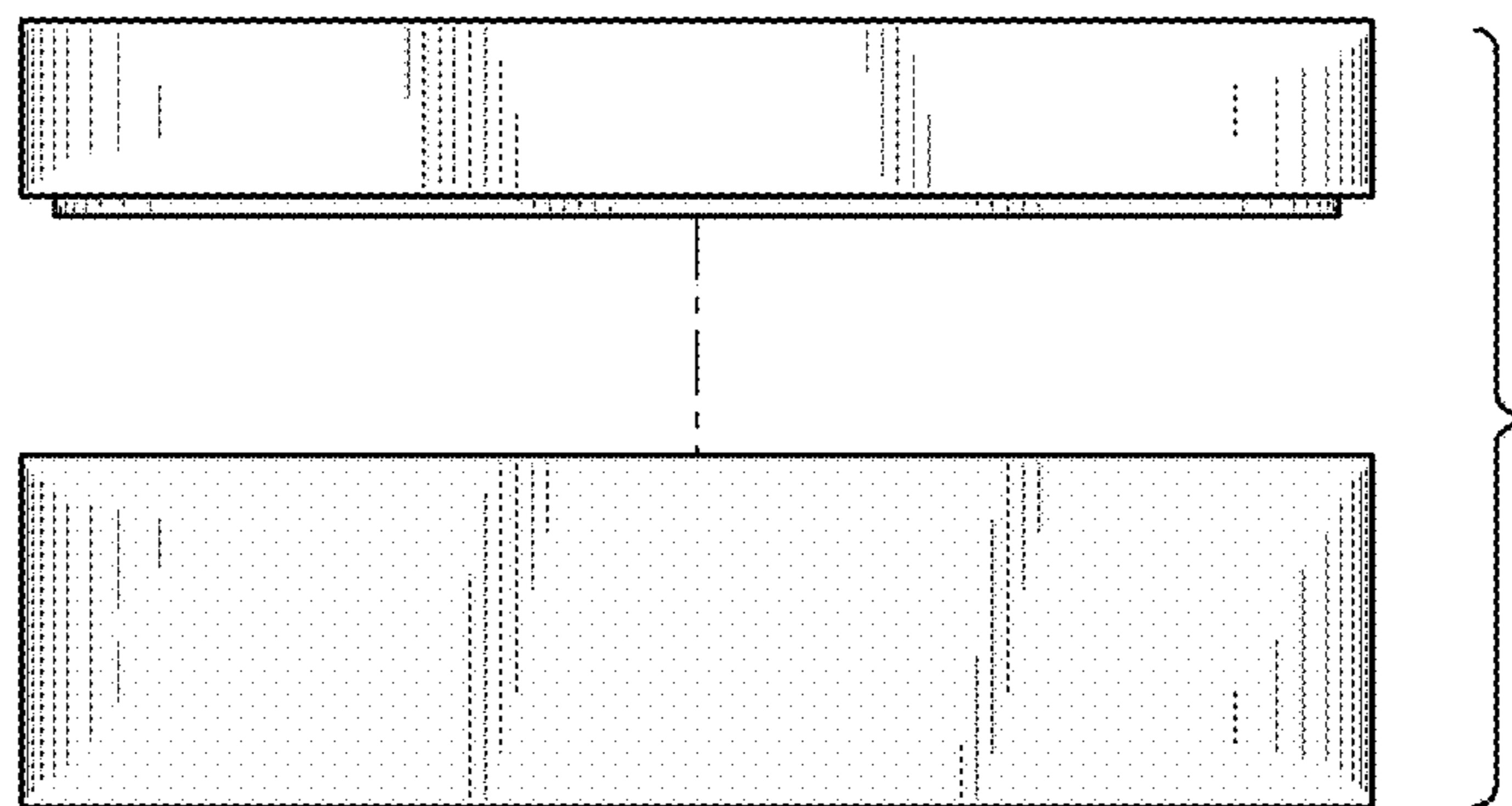


FIG. 10

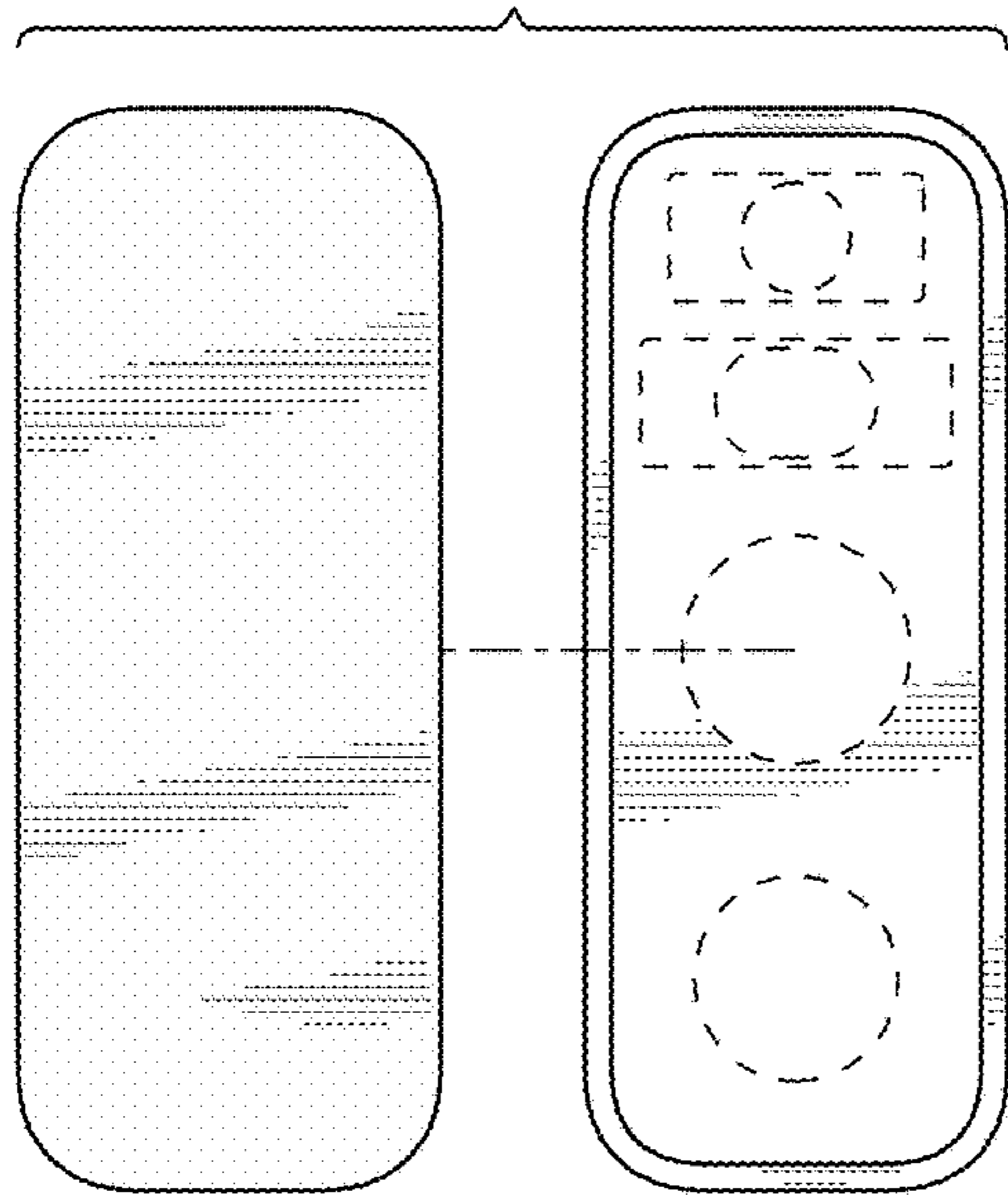


FIG. 12

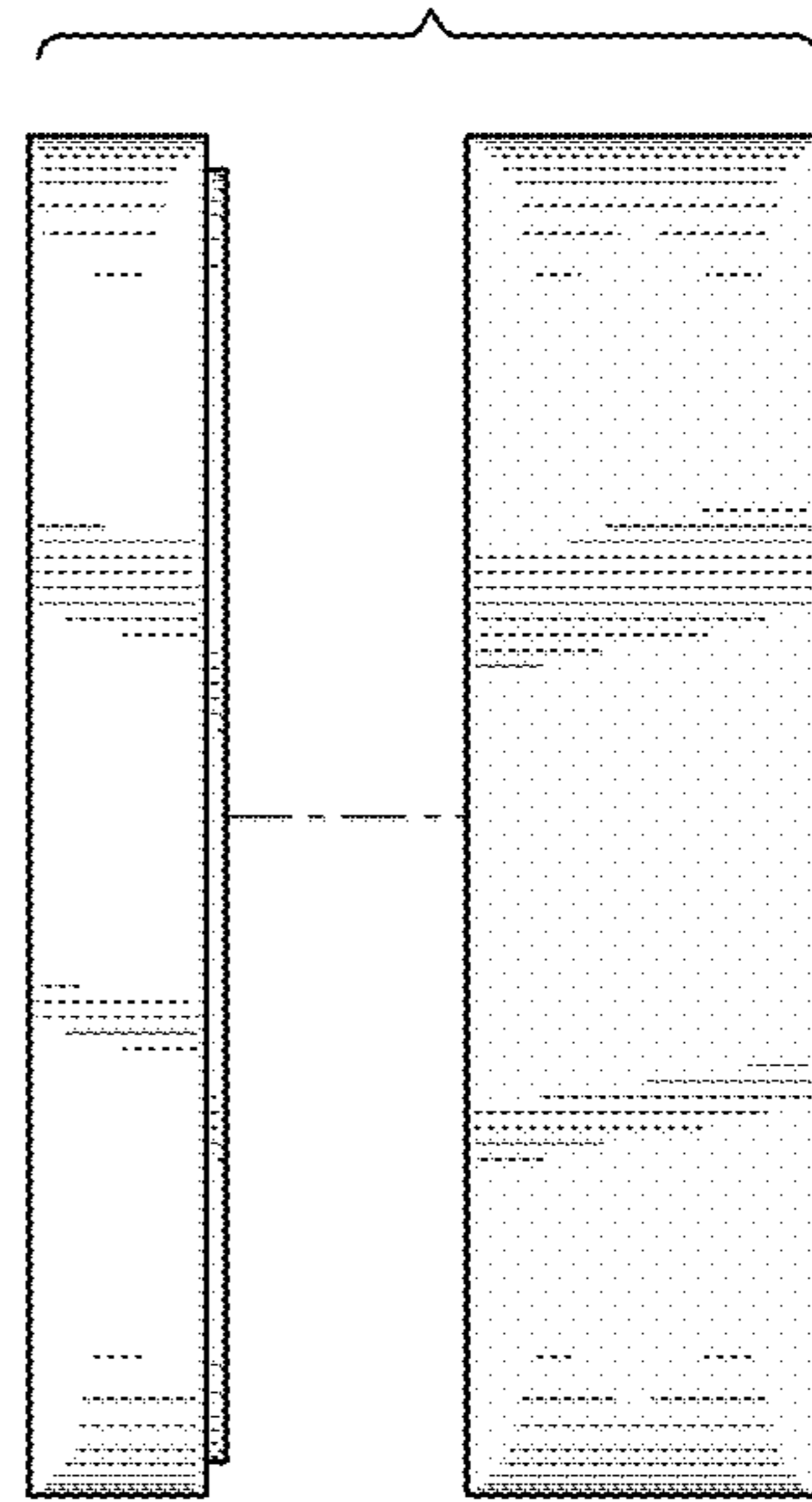


FIG. 11

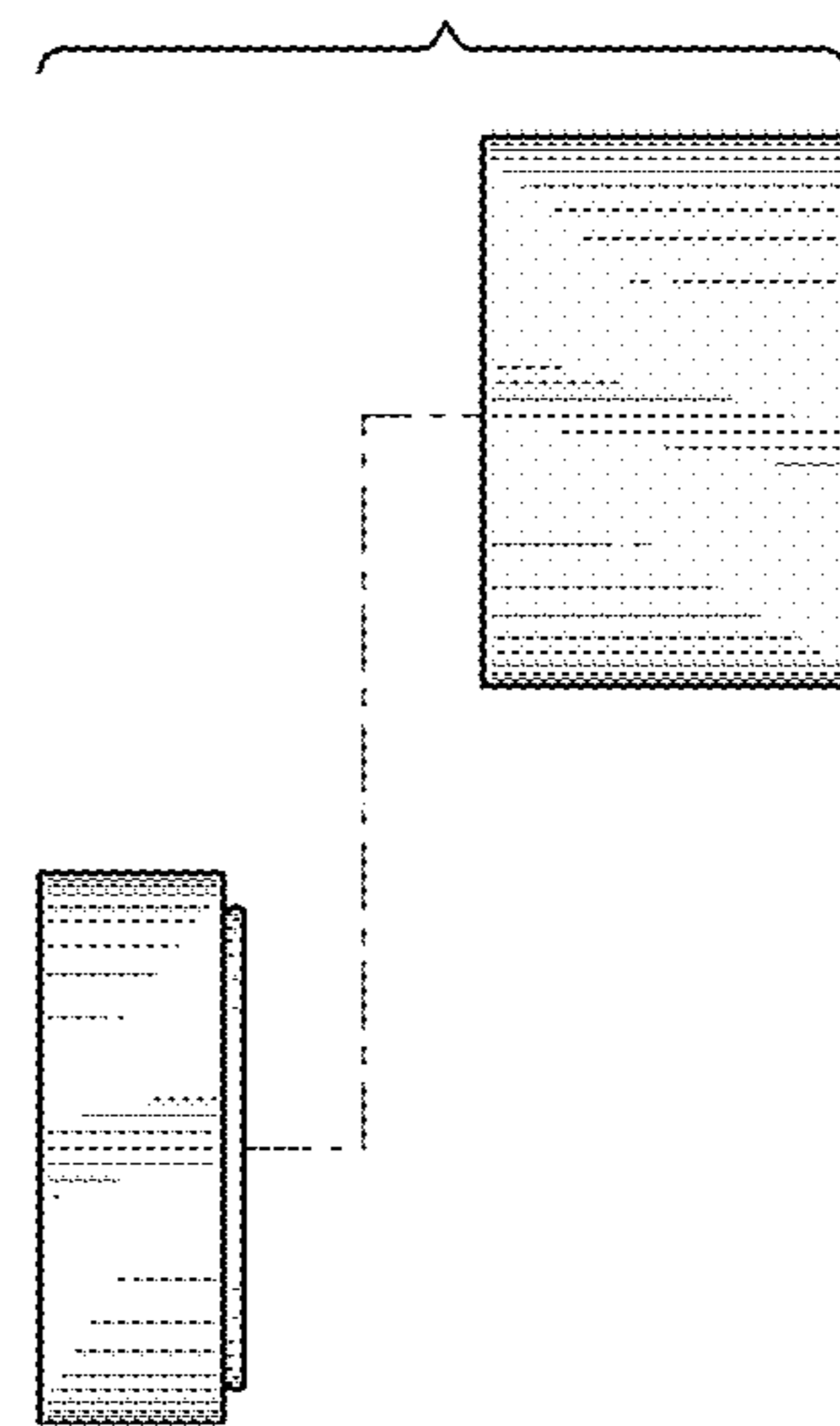


FIG. 13

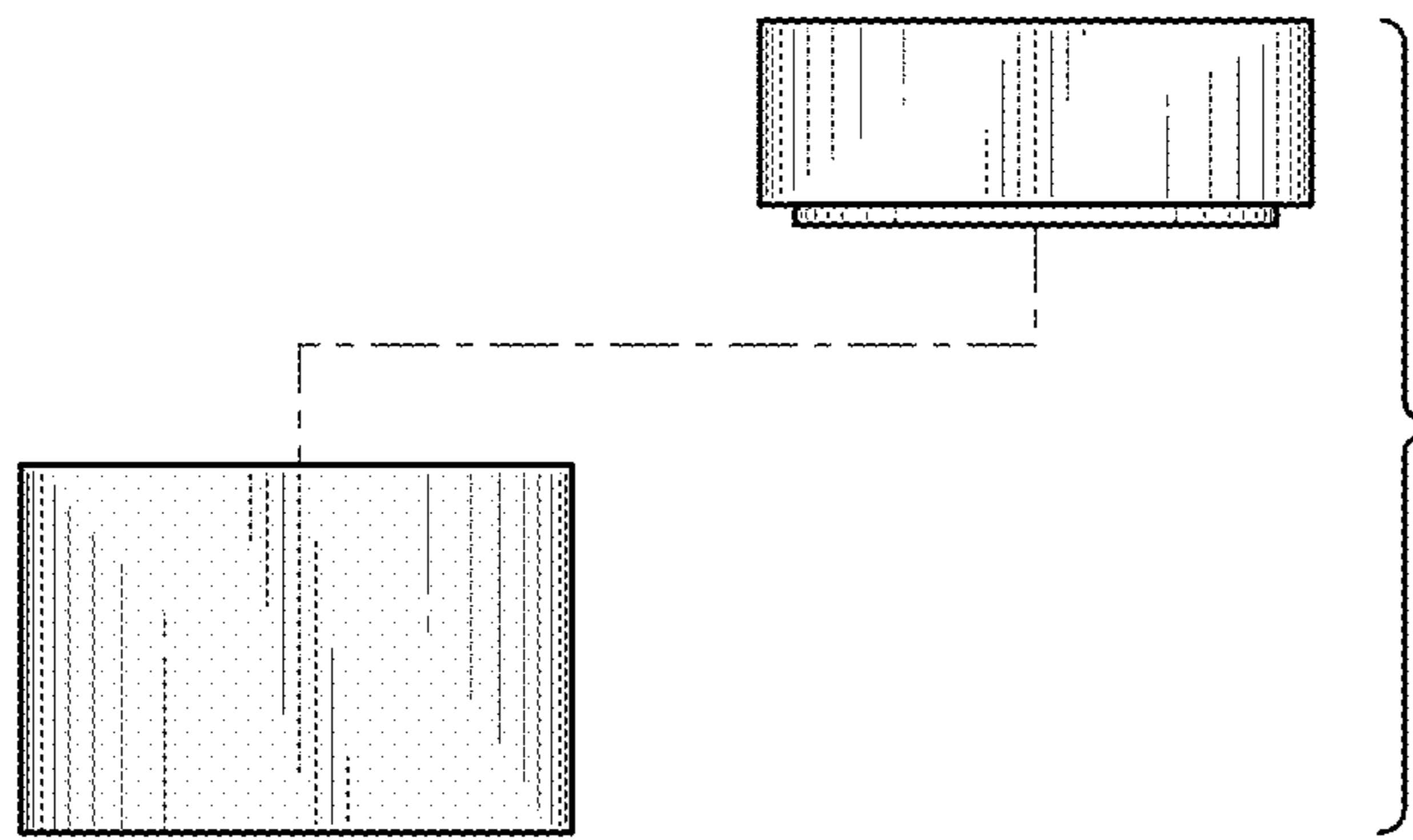


FIG. 14

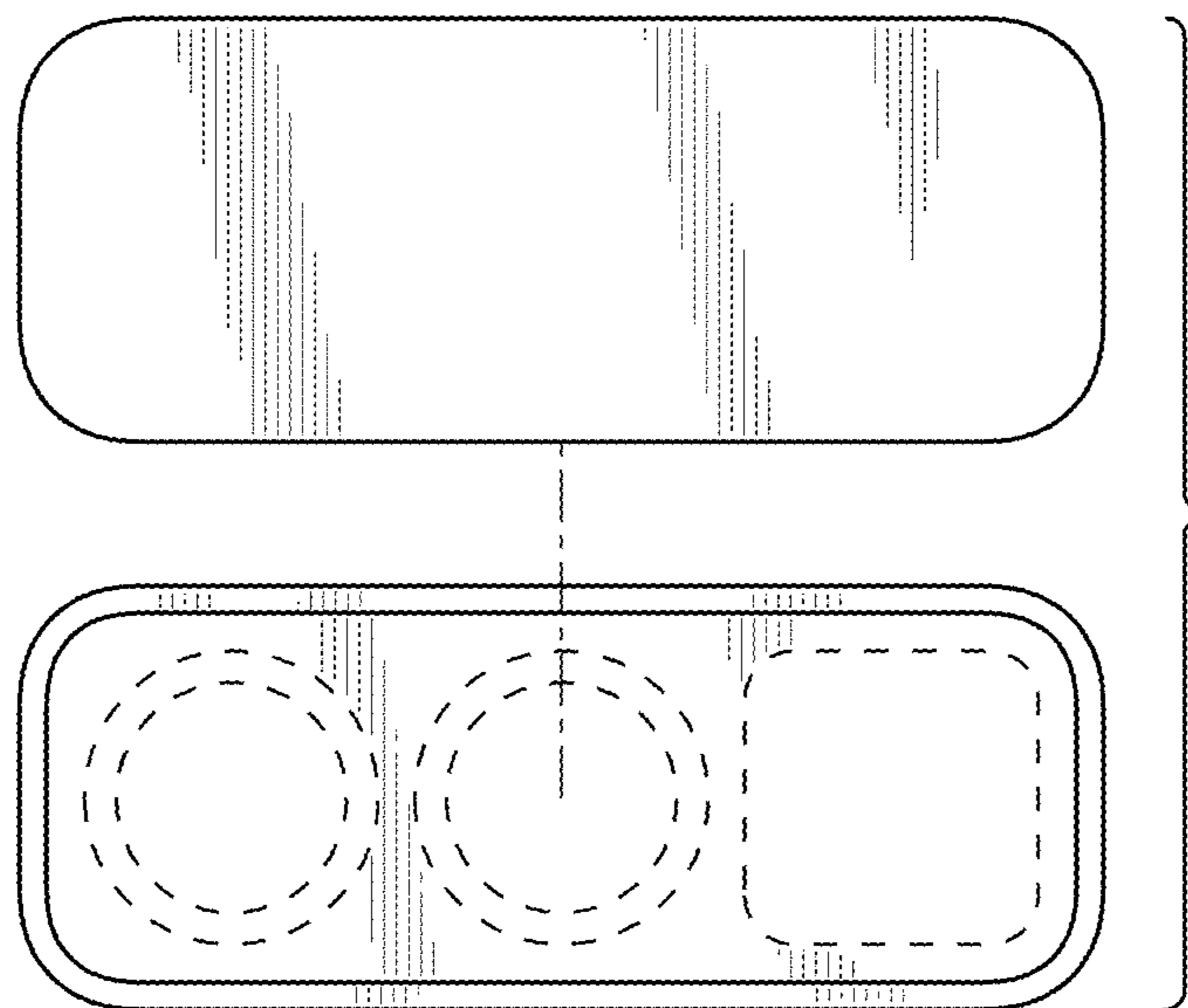


FIG. 15

