



US00D831478S

(12) **United States Design Patent**  
**Moon et al.**

(10) **Patent No.:** **US D831,478 S**  
(45) **Date of Patent:** **\*\* Oct. 23, 2018**

(54) **PACKAGING FOR BED LINEN**

- (71) Applicant: **Purple Innovation, LLC**, Alpine, UT (US)
- (72) Inventors: **Shawn David Moon**, Cedar Hills, UT (US); **Jennifer Jo Goodwin**, Salt Lake City, UT (US)
- (73) Assignee: **Purple Innovation, LLC**, Alpine, UT (US)
- (\*\*) Term: **15 Years**
- (21) Appl. No.: **29/587,296**
- (22) Filed: **Dec. 12, 2016**

**Related U.S. Application Data**

- (63) Continuation-in-part of application No. 15/334,093, filed on Oct. 25, 2016.
- (51) **LOC (11) Cl.** ..... **09-03**
- (52) **U.S. Cl.**  
USPC ..... **D9/432; D6/596**
- (58) **Field of Classification Search**  
USPC ..... D6/333, 349, 355, 375, 388, 512, 563, D6/564, 595, 596, 601, 604, 611, 707,  
(Continued)

(56) **References Cited**

**U.S. PATENT DOCUMENTS**

- 2,256,074 A \* 9/1941 Crebbs ..... A47K 10/185  
221/46
- 2,874,707 A \* 2/1959 Koppel ..... A45D 29/20  
132/315

(Continued)

**FOREIGN PATENT DOCUMENTS**

TW 476342 U 2/2002

**OTHER PUBLICATIONS**

Introducing Purple Sheets, video dated Dec. 1, 2016, time stamp: 3:36, [online], [site visited Feb. 19, 2018]. Available from Internet, <URL: <https://www.youtube.com/watch?v=OecOXtqO6A0>> (Year: 2016).\*

(Continued)

*Primary Examiner* — Michelle E. Wilson

*Assistant Examiner* — Sanjeev Paul

(74) *Attorney, Agent, or Firm* — TraskBritt

(57) **CLAIM**

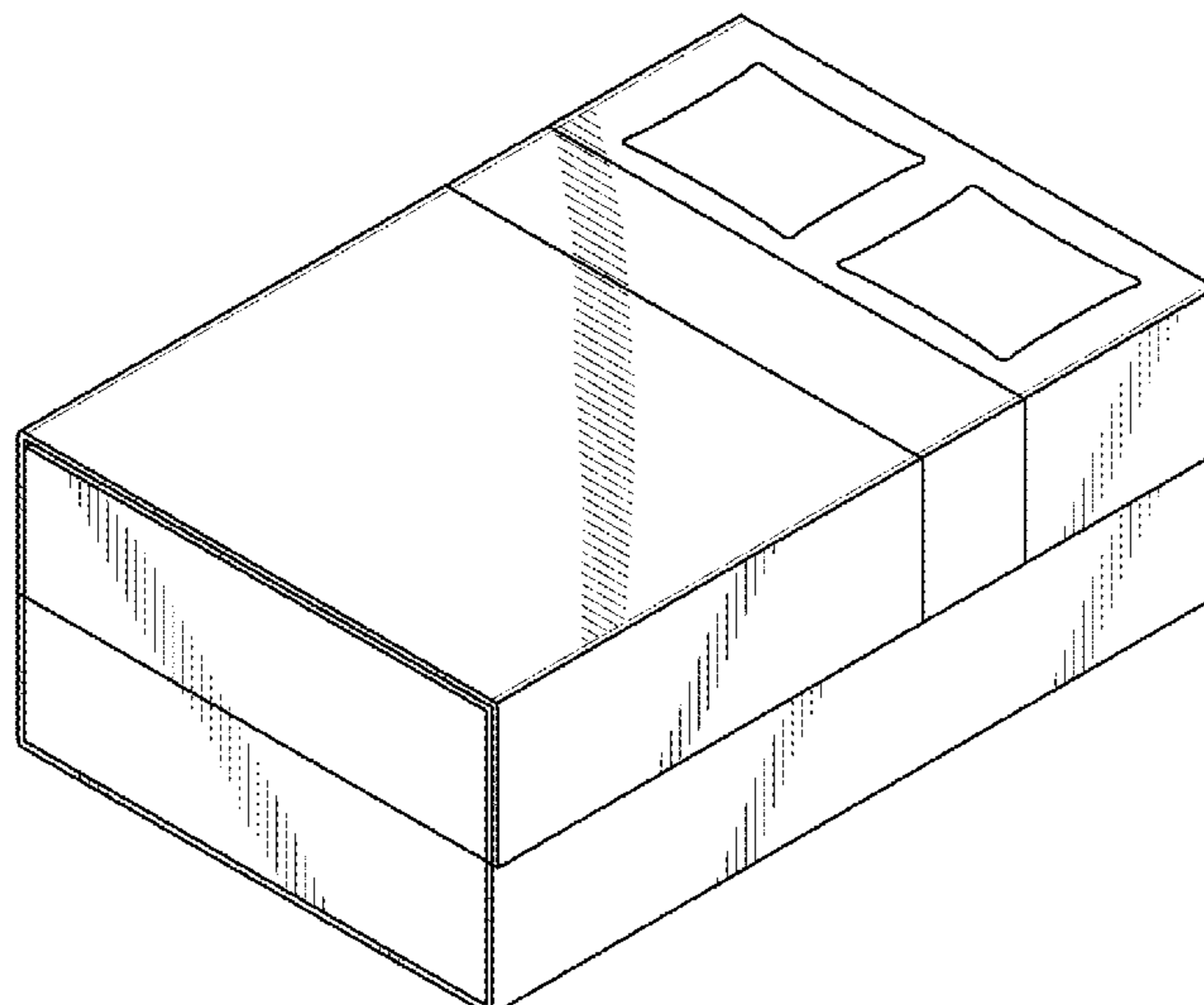
The ornamental design for a packaging for bed linen, as shown and described.

**DESCRIPTION**

FIG. 1 is a perspective view of a packaging for bed linen showing our new design;  
 FIG. 2 is a front view of the packaging for bed linen shown in FIG. 1;  
 FIG. 3 is a back view of the packaging for bed linen shown in FIG. 1;  
 FIG. 4 is a left side view of the packaging for bed linen shown in FIG. 1;  
 FIG. 5 is a right side view of the packaging for bed linen shown in FIG. 1.  
 FIG. 6 is a top side view of the packaging for bed linen shown in FIG. 1;  
 FIG. 7 is a bottom side view of the packaging for bed linen shown in FIG. 1; and,  
 FIG. 8 is a perspective view of the packaging for bed linen shown in FIG. 1 shown with the package open and illustrating a bed linen therein.

The broken lines in FIGS. 1-8 are included for the purpose of illustrating unclaimed portions of the packaging for bed linen and form no part of the claimed design.

**1 Claim, 3 Drawing Sheets**



(58) **Field of Classification Search**

USPC ..... D6/715, 716, 716.1; D24/183–185, 234;  
                   D21/803, 804, 805, 809; 5/401, 420,  
                   5/600, 630, 631, 632, 633, 635, 636, 638,  
                   5/639, 646, 652, 652.1, 655, 703, 730;  
                   297/401, 420, 600, 630, 631, 632, 633,  
                   297/635, 636, 638, 639, 646, 652, 652.1,  
                   297/655, 703, 730; D9/430–433,  
                   D9/414–418, 420–429, 560, 737, 756  
 CPC .. A47G 9/1018; A47G 9/1009; A47G 9/1027;  
           A47G 9/1045; A47G 9/1063; A47G  
           9/1072; A47G 9/1081

See application file for complete search history.

D651,891 S *	1/2012	Bell .....	D9/421
8,720,718 B2	5/2014	Myers et al.	
D774,801 S *	12/2016	Clark .....	D6/596
D792,124 S *	7/2017	Blatt .....	D6/596
9,868,577 B2 *	1/2018	Ridgeway .....	B65D 81/05
2008/0164734 A1 *	7/2008	Nile .....	A47C 7/425 297/230.13
2008/0264983 A1	10/2008	Kastan	
2010/0018888 A1 *	1/2010	Hamilton .....	A45C 3/004 206/494
2010/0213094 A1	8/2010	McKay	
2011/0315584 A1	12/2011	Hofgartner	
2013/0193011 A1	8/2013	Scanlan et al.	
2014/0102920 A1	4/2014	Kim	

(56)

**References Cited**

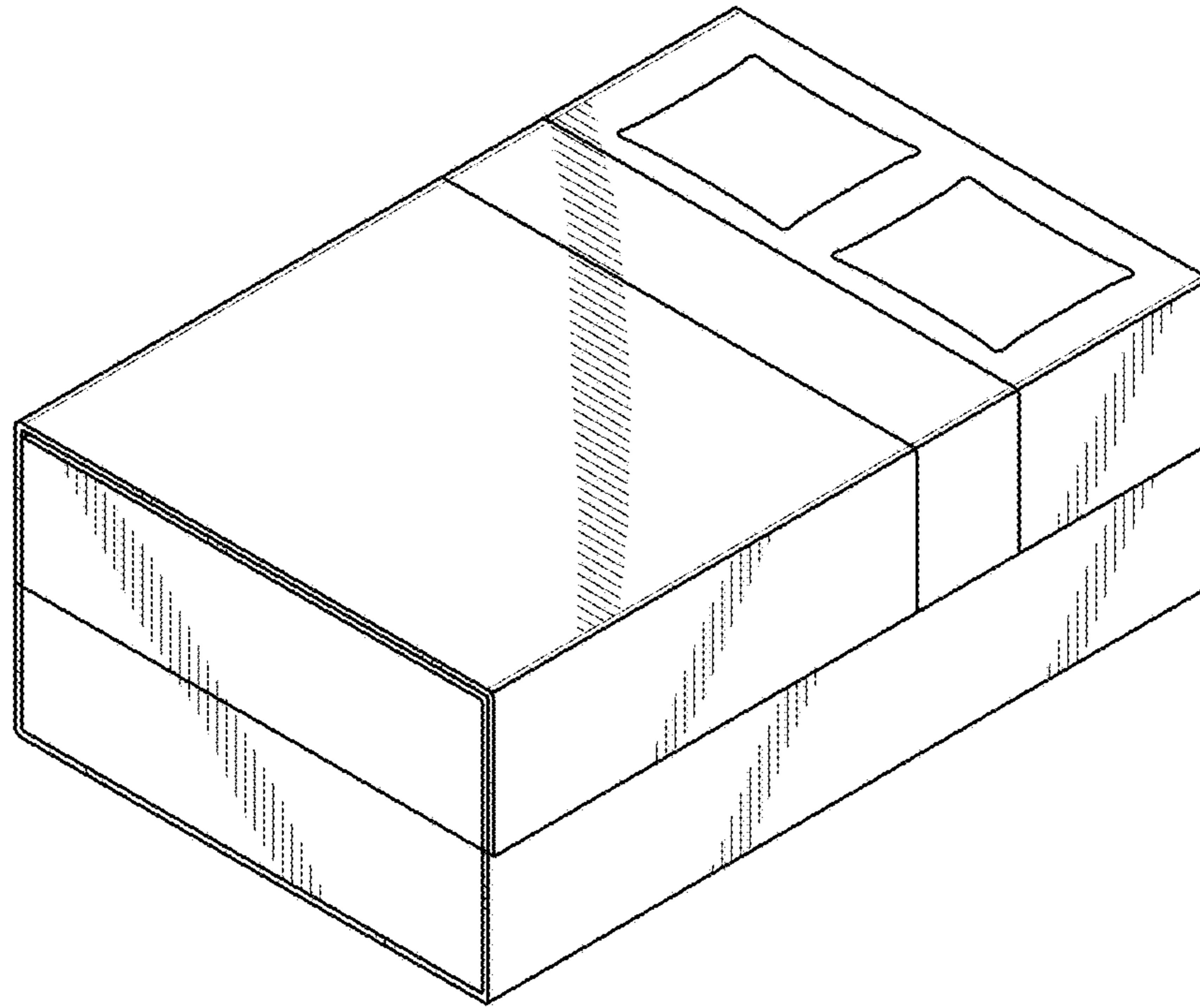
U.S. PATENT DOCUMENTS

3,087,605 A *	4/1963	Kester .....	B65D 77/02 206/459.5
D313,140 S *	12/1990	Johnson .....	D6/596
D334,502 S *	4/1993	Hill .....	D6/382
D338,796 S *	8/1993	Staudinger .....	D6/596
D467,117 S *	12/2002	Guy .....	D6/596
D507,919 S *	8/2005	Bishop .....	D6/596
D600,549 S *	9/2009	Anderson .....	D9/432
D602,353 S *	10/2009	Anderson .....	D9/432
D617,637 S *	6/2010	Anderson .....	D9/432

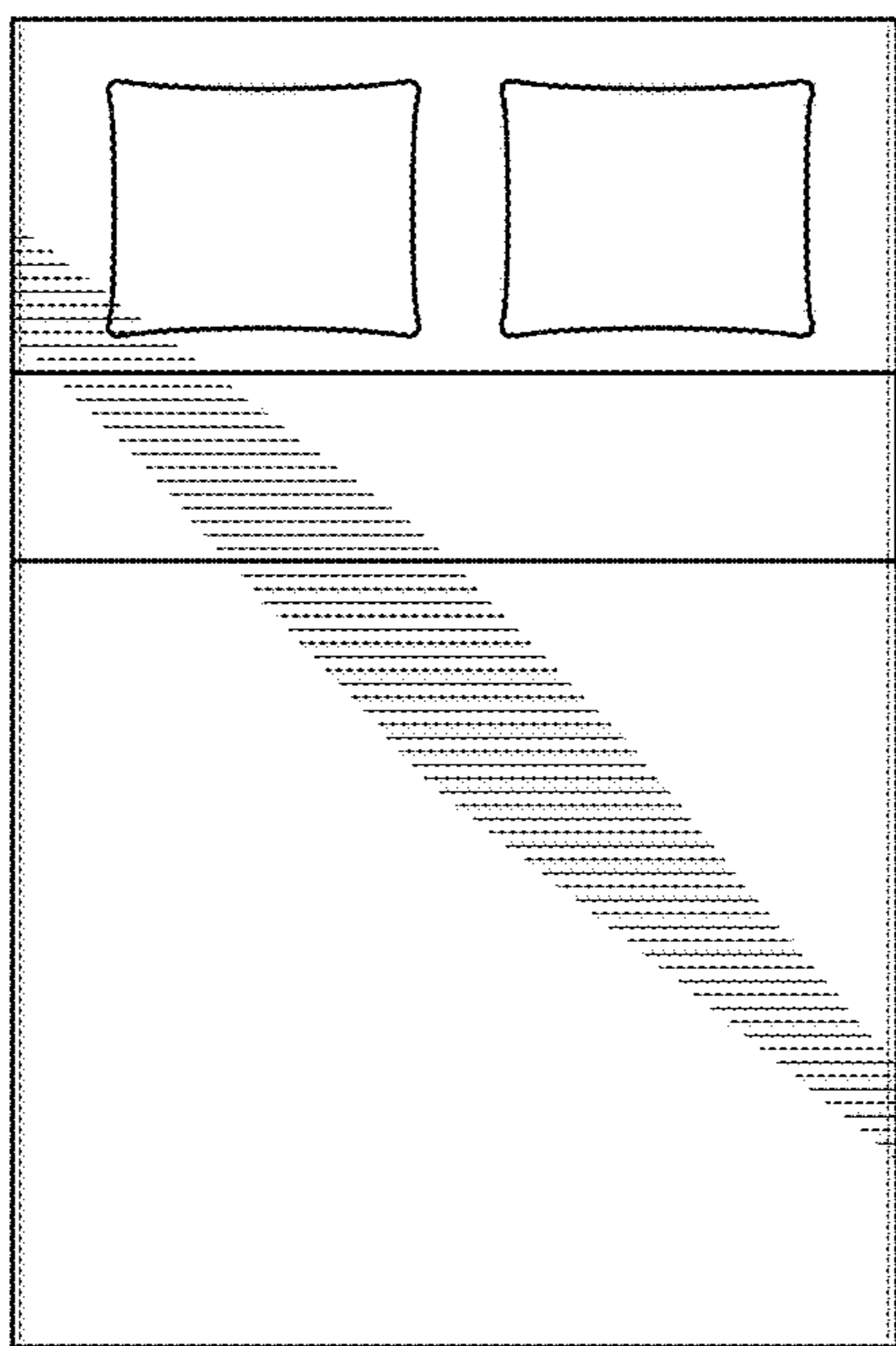
OTHER PUBLICATIONS

Saferest, Premium Mattress Protector, <http://www.saferest.com/premium-mattress-protectors.html>, Oct. 25, 2016, 2 pages.  
 Wamsutta, Dream Zone, Sheet Set, <http://www.ebay.com/itm/Wamsutta-Dream-Zone-queen-size-sheet-set-/252599924659?hash=item3ad020f7b3:g:FD0AAOSwlmRYDCPc>, Oct. 25, 2016, 1 page.  
 International Search Report for PCT Application No. PCT/US2017/057210, dated Dec. 22, 2017, 3 pages.  
 Written Opinion of the International Searching Authority for PCT Application No. PCT/US2017/057210, dated Dec. 22, 2017, 9 pages.

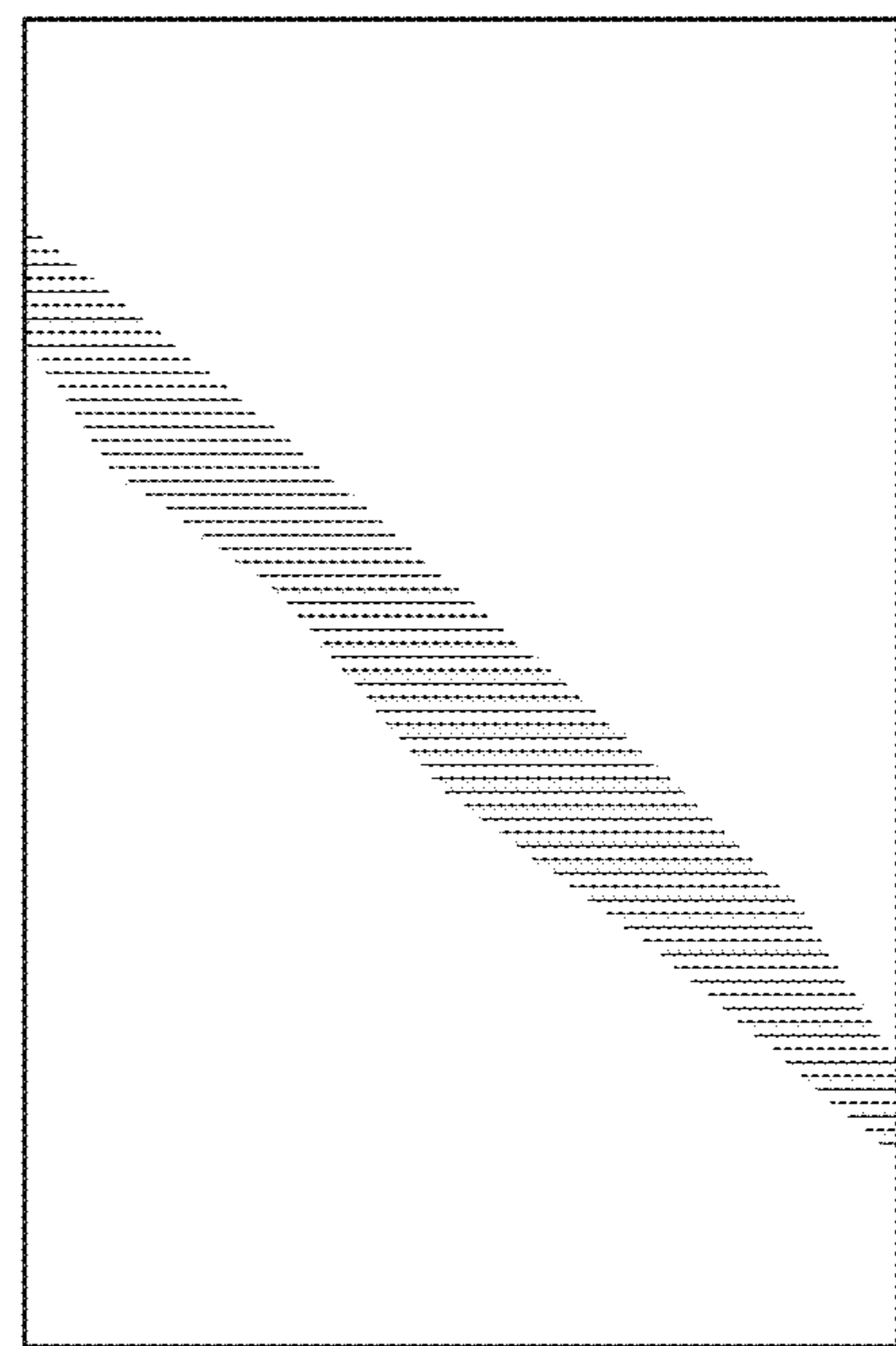
\* cited by examiner



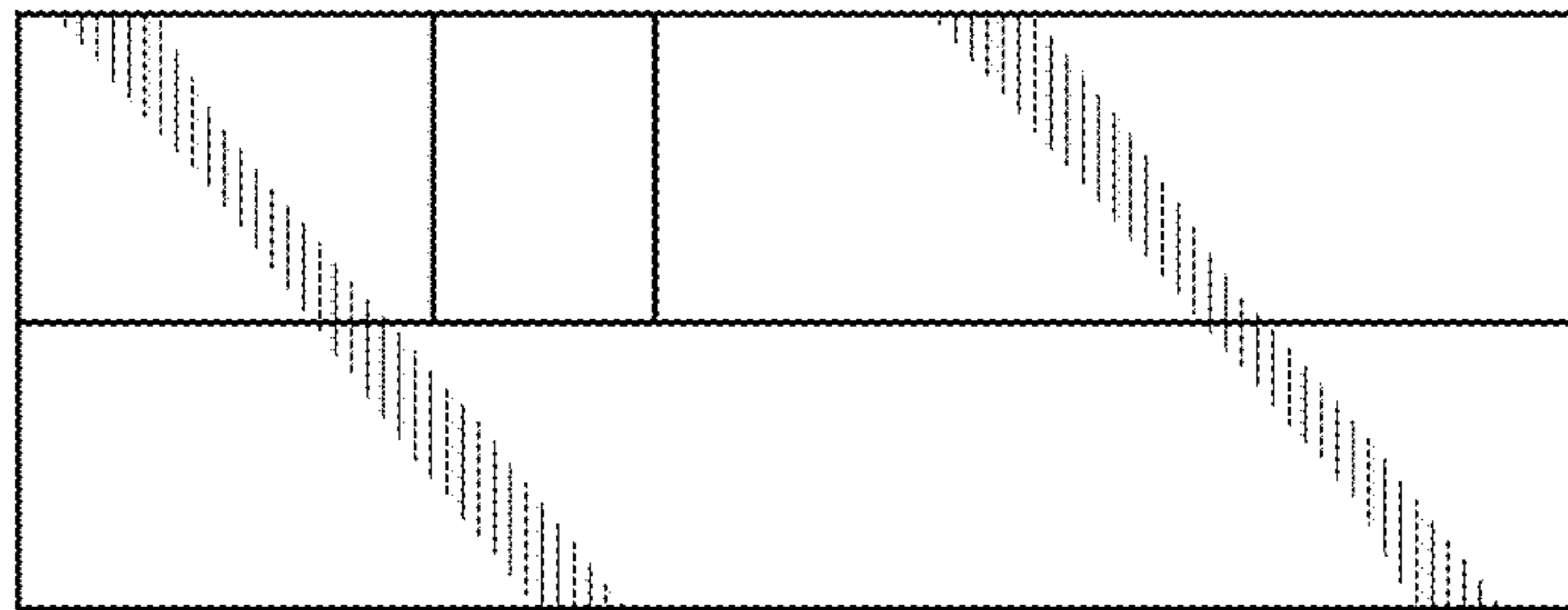
**FIG. 1**



**FIG. 2**



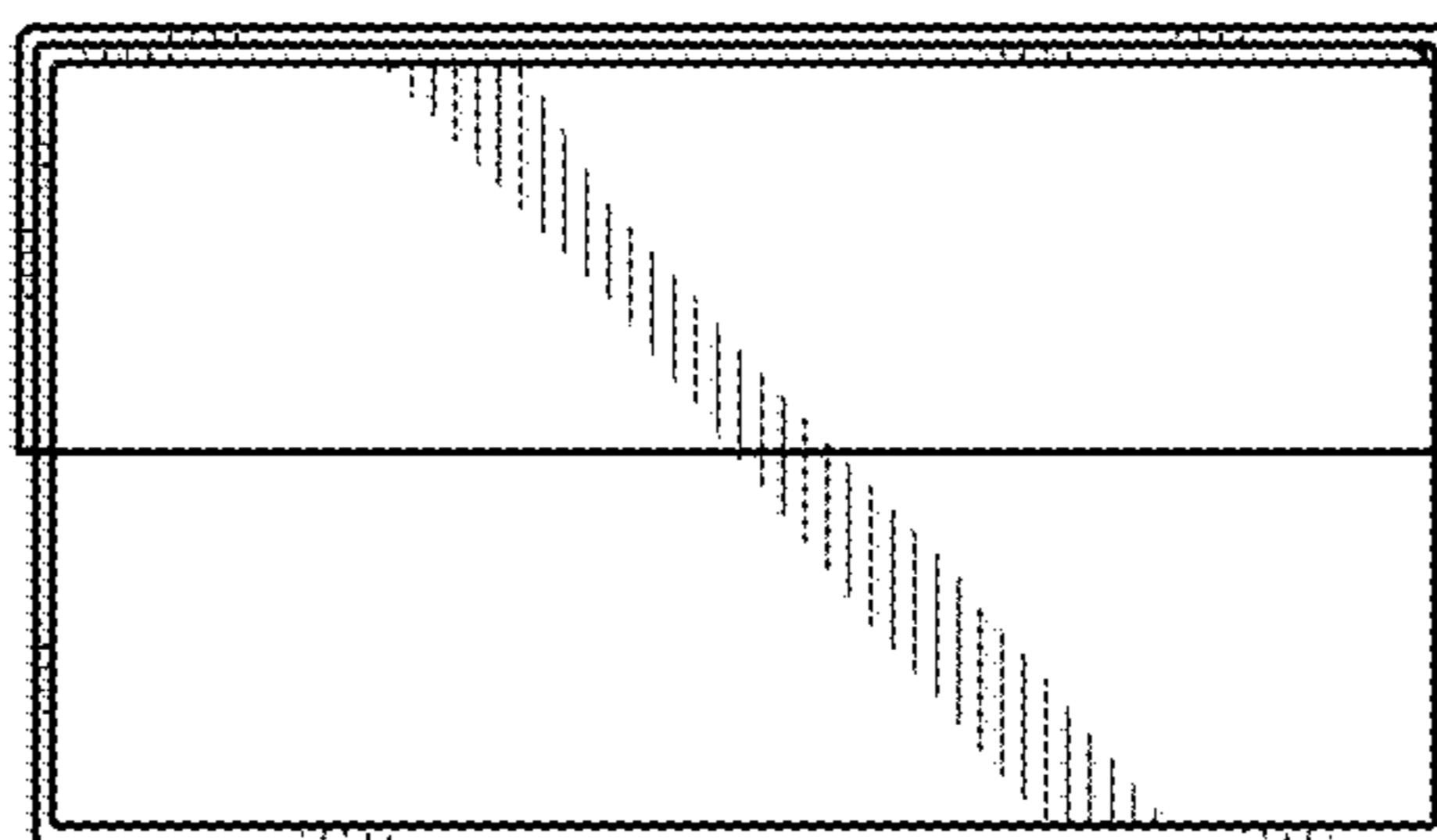
**FIG. 3**



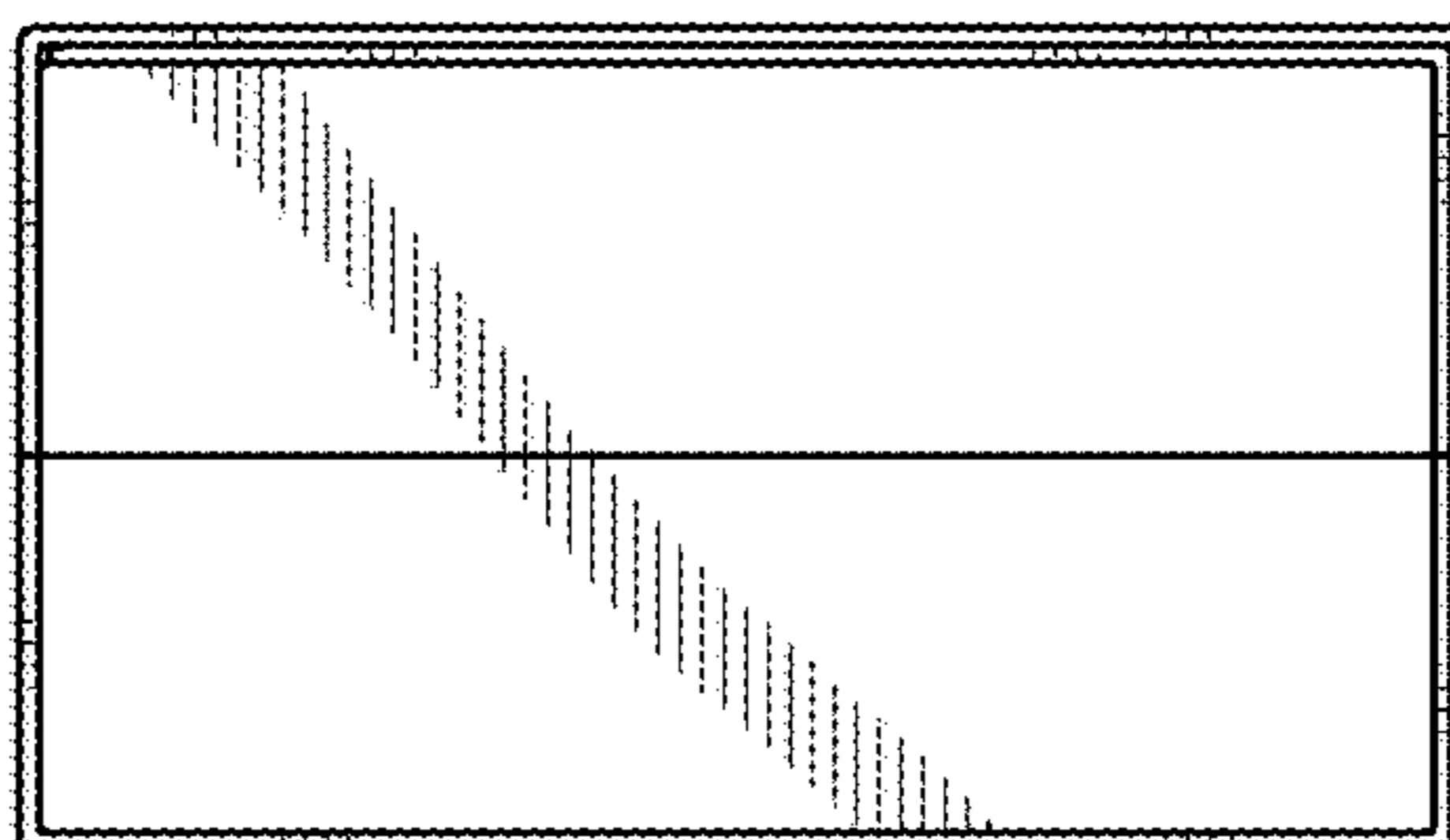
**FIG. 4**



**FIG. 5**



**FIG. 6**



**FIG. 7**

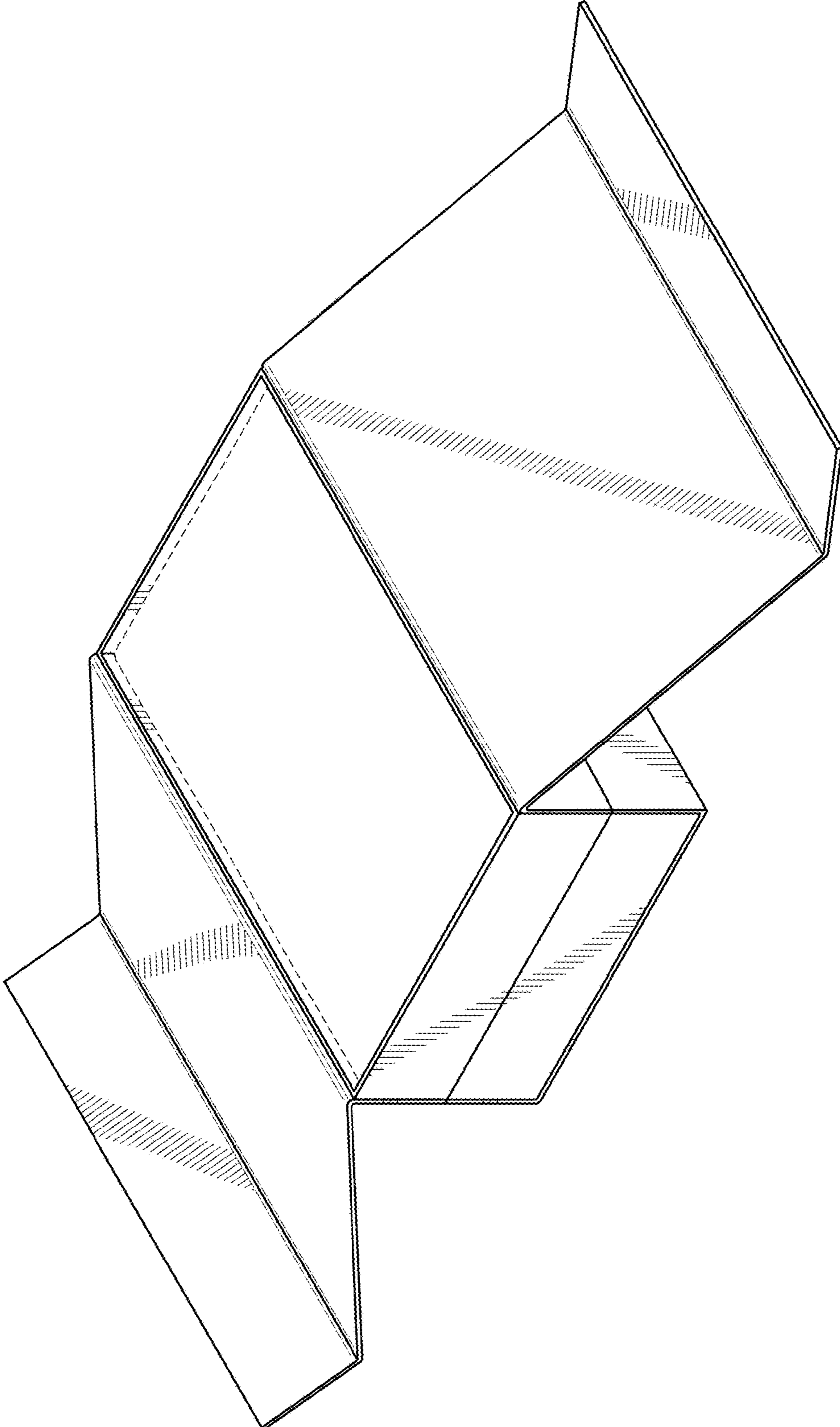


FIG. 8