



US00D831477S

(12) **United States Design Patent**  
**Dietrich**

(10) **Patent No.:** **US D831,477 S**

(45) **Date of Patent:** **\*\* Oct. 23, 2018**

(54) **CORD LOCKING CLEAT**

(71) Applicant: **Dan Dietrich**, Delray Beach, FL (US)

(72) Inventor: **Dan Dietrich**, Delray Beach, FL (US)

(\*\*) Term: **15 Years**

(21) Appl. No.: **29/548,919**

(22) Filed: **Dec. 17, 2015**

(51) **LOC (11) Cl.** ..... **08-08**

(52) **U.S. Cl.**

USPC ..... **D8/394**

(58) **Field of Classification Search**

USPC ..... D13/133, 154; D8/394–396, 333, 337,  
D8/360–360.1, 382–384; D6/575–581;  
292/323; 160/172 R

CPC ..... B60R 11/00; B01R 13/639; B65D 27/30  
See application file for complete search history.

(56) **References Cited**

**U.S. PATENT DOCUMENTS**

D114,824 S *	5/1939	Schmidt	.....	D8/330
D114,825 S *	5/1939	Schmidt	.....	D8/330
D190,391 S *	5/1961	Cordova	.....	D8/341
D354,432 S *	1/1995	Starman	.....	D8/382
D399,045 S *	10/1998	Liston	.....	D2/978
D465,408 S *	11/2002	Man	.....	D8/383
D548,578 S *	8/2007	Wu	.....	D8/383
D549,087 S *	8/2007	Pontaoe	.....	D8/383
D551,066 S *	9/2007	Takahashi	.....	D8/383
D551,067 S *	9/2007	Kawamura	.....	D8/383
D571,194 S *	6/2008	Mei	.....	D8/383
D610,440 S *	2/2010	Prichard, Jr.	.....	D8/382
D619,450 S *	7/2010	Yoshiguchi	.....	D8/383
D710,189 S *	8/2014	Simonds	.....	D21/540
D718,122 S *	11/2014	Adair	.....	D8/382
8,904,605 B2 *	12/2014	Kawaguchi	.....	F16G 11/101 24/115 G
D758,836 S *	6/2016	Symons	.....	D8/383

D758,838 S *	6/2016	Symons	.....	D8/383
2005/0262719 A1 *	12/2005	Calbreath	.....	F26B 21/004 34/239
2005/0268436 A1 *	12/2005	Yoshiguchi	.....	F16G 11/101 24/115 G

(Continued)

**OTHER PUBLICATIONS**

Cord Cleats and Tie-Down Devices, website 2015, <http://www.venetianblindparts.com/cord%20cleats.htm>, [site visited Mar. 25, 2017 5:00:30 PM].\*

(Continued)

*Primary Examiner* — John Windmuller

*Assistant Examiner* — John R Yeh

(74) *Attorney, Agent, or Firm* — Robert M. Downey, P.A.

(57) **CLAIM**

The ornamental design for a cord locking cleat, as shown and described.

**DESCRIPTION**

FIG. 1 is a top, front perspective view of a cord locking cleat showing my new design;

FIG. 2 is a right side elevational view thereof, the left side elevational view being identical thereto;

FIG. 3 is a top plan view thereof;

FIG. 4 is a bottom plan view thereof;

FIG. 5 is a front elevational view thereof;

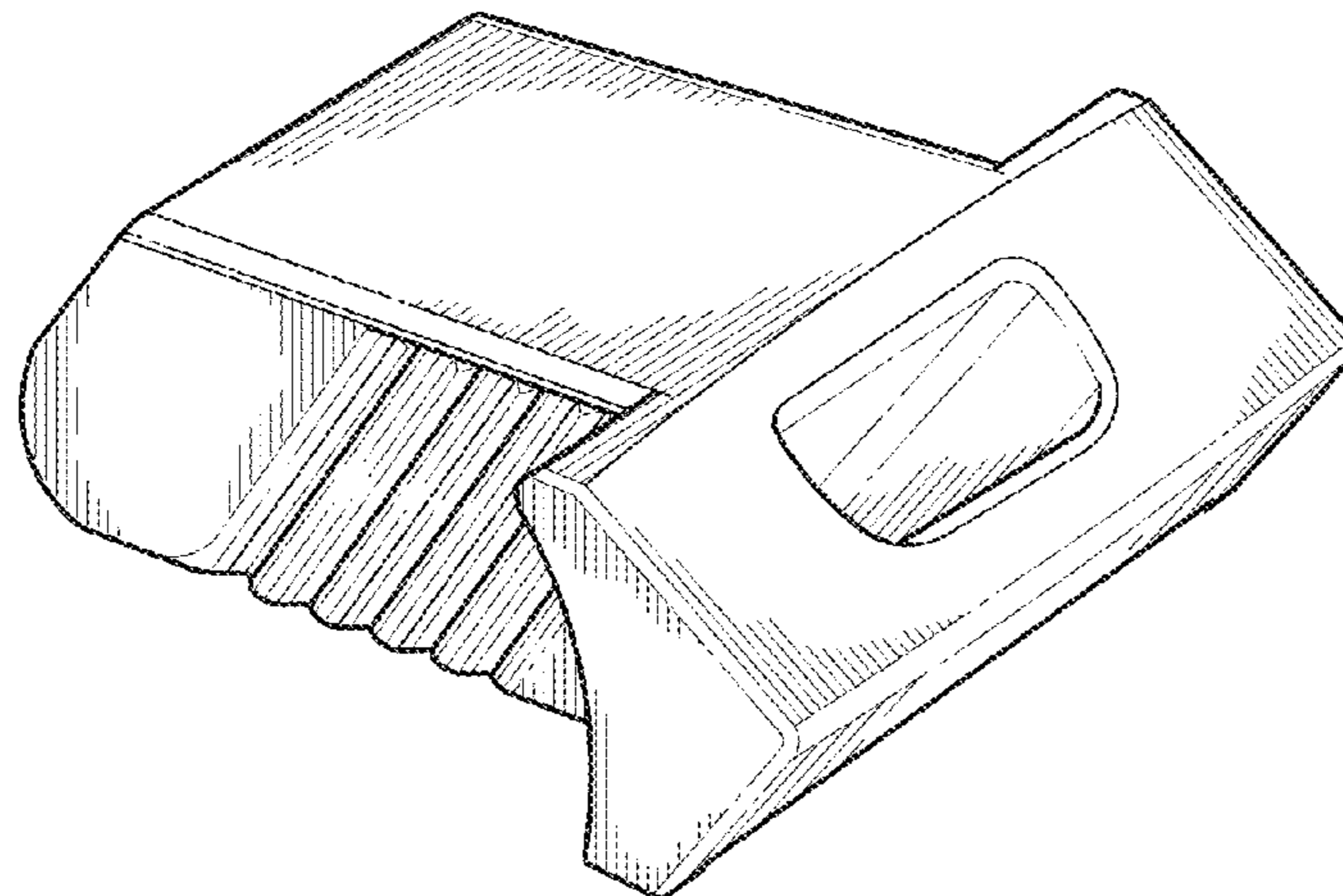
FIG. 6 is a rear elevational view thereof;

FIG. 7 is a top, front perspective view of the cord locking cleat of FIGS. 1-6 and showing two segments of a cord in broken lines passing through the cord locking cleat; and,

FIG. 8 is a bottom plan view of the cord locking cleat of FIGS. 1-7 and showing the two segments of the cord in broken lines passing through the cord locking cleat.

The broken lines depict portions of the cord locking cleat and environment of the cleat that form no part of the claimed design.

**1 Claim, 7 Drawing Sheets**



(56)

**References Cited**

U.S. PATENT DOCUMENTS

2006/0045677 A1\* 3/2006 Garfield ..... A45C 13/385  
414/340  
2008/0115334 A1\* 5/2008 Chen ..... A43C 1/00  
24/115 G  
2009/0064473 A1\* 3/2009 Chan ..... A43C 7/00  
24/712.5  
2015/0096151 A1\* 4/2015 Corio ..... B64F 1/12  
24/115 R

OTHER PUBLICATIONS

Cord Lock for Roman & Austrian Shades (Large)—Sailrite, website review date 2016, <http://www.sailrite.com/Cord-Lock-for-Roman-Austrian-Shades-Large>, site visited Mar. 25, 2017.\*  
Fabric Farms Shades Cord Lock, video upload date Dec. 19, 2010, site visited Mar. 25, 2017, <https://www.youtube.com/watch?v=AftusMHOyHA>.\*

\* cited by examiner

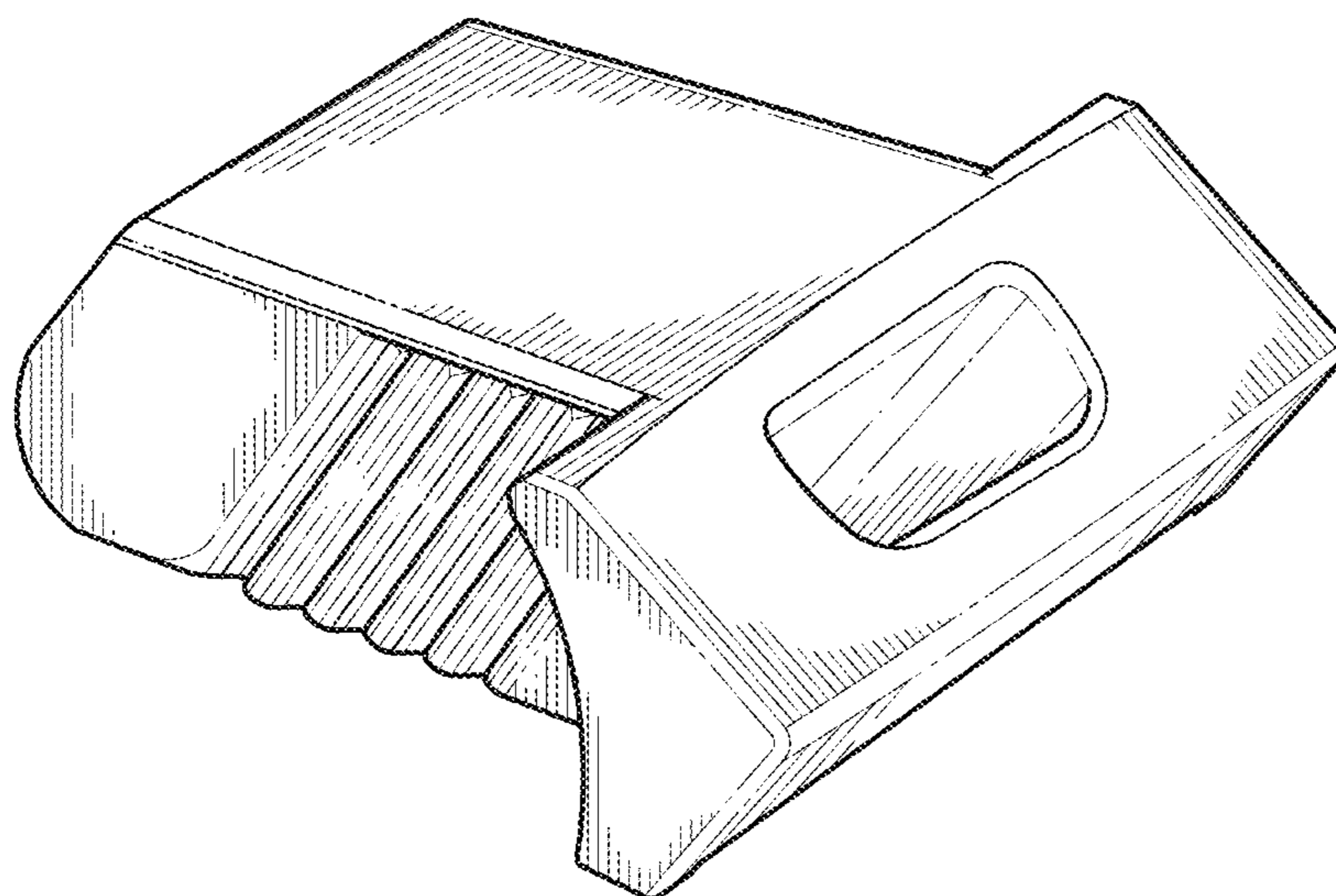


FIG. 1

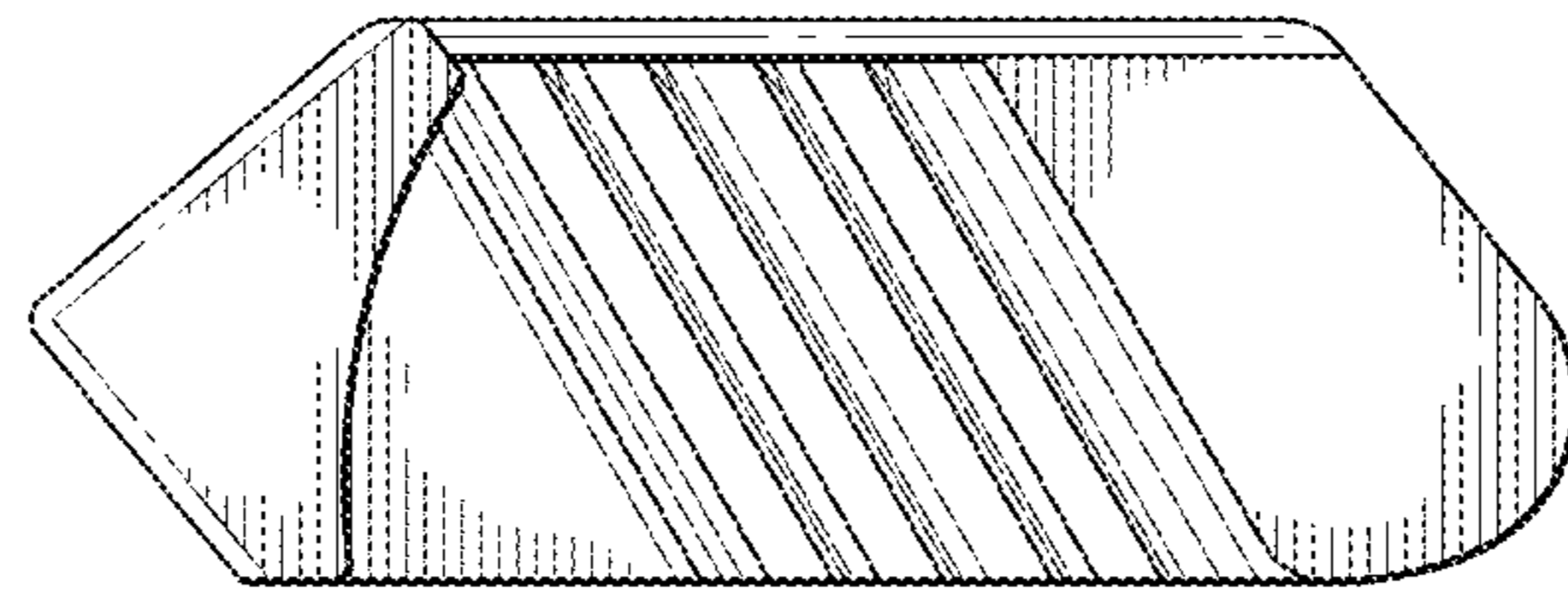


FIG. 2

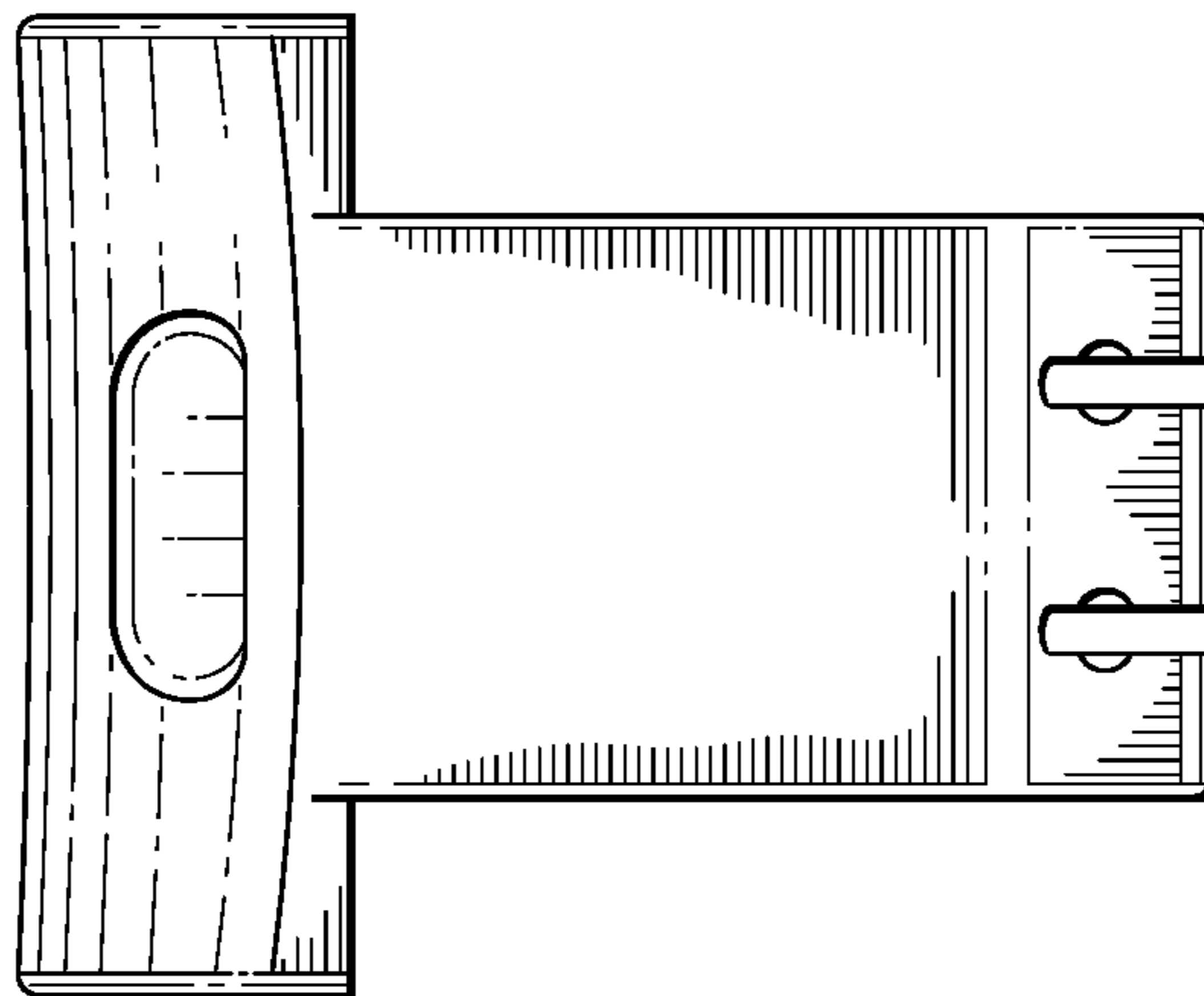


FIG. 3

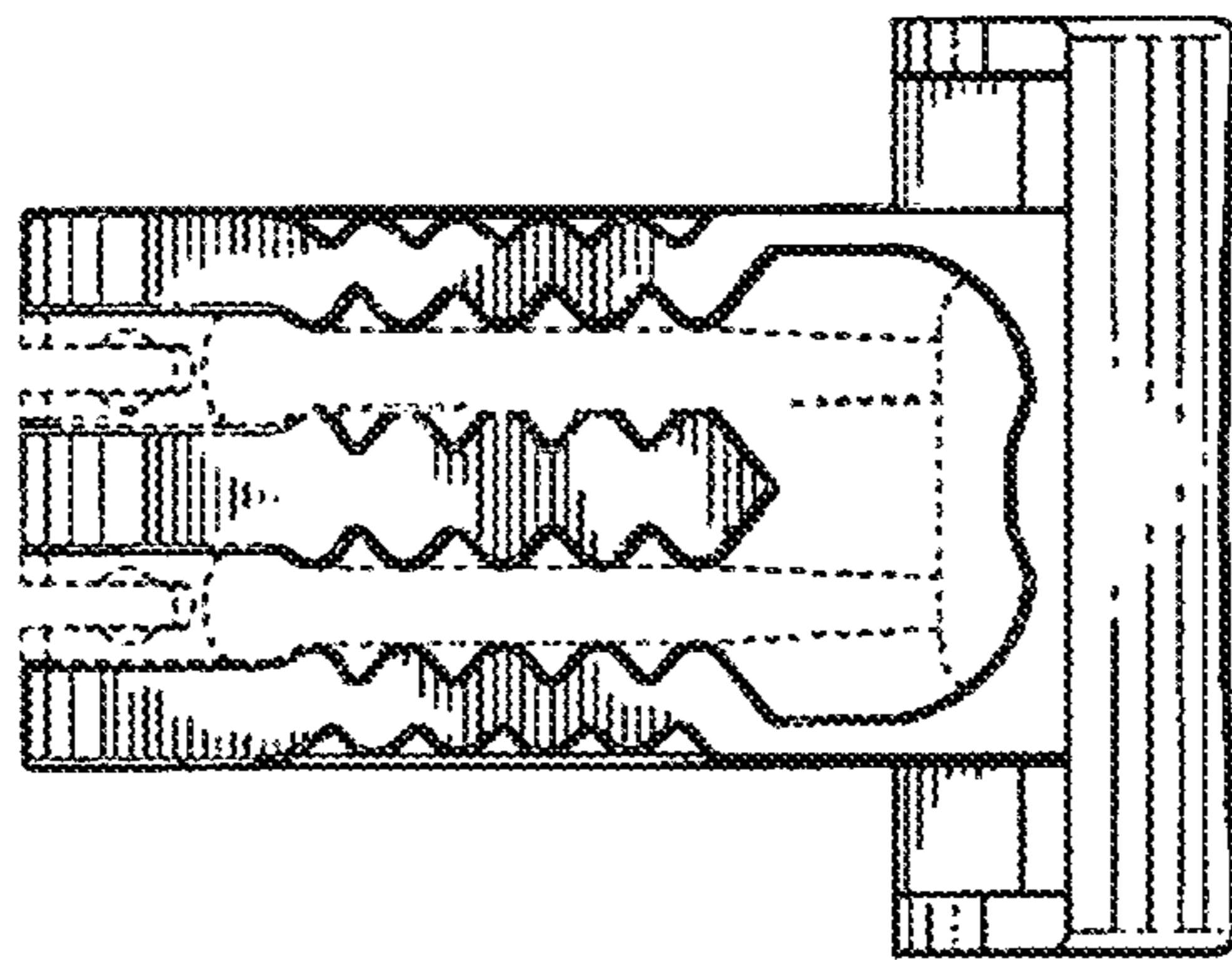


FIG. 4



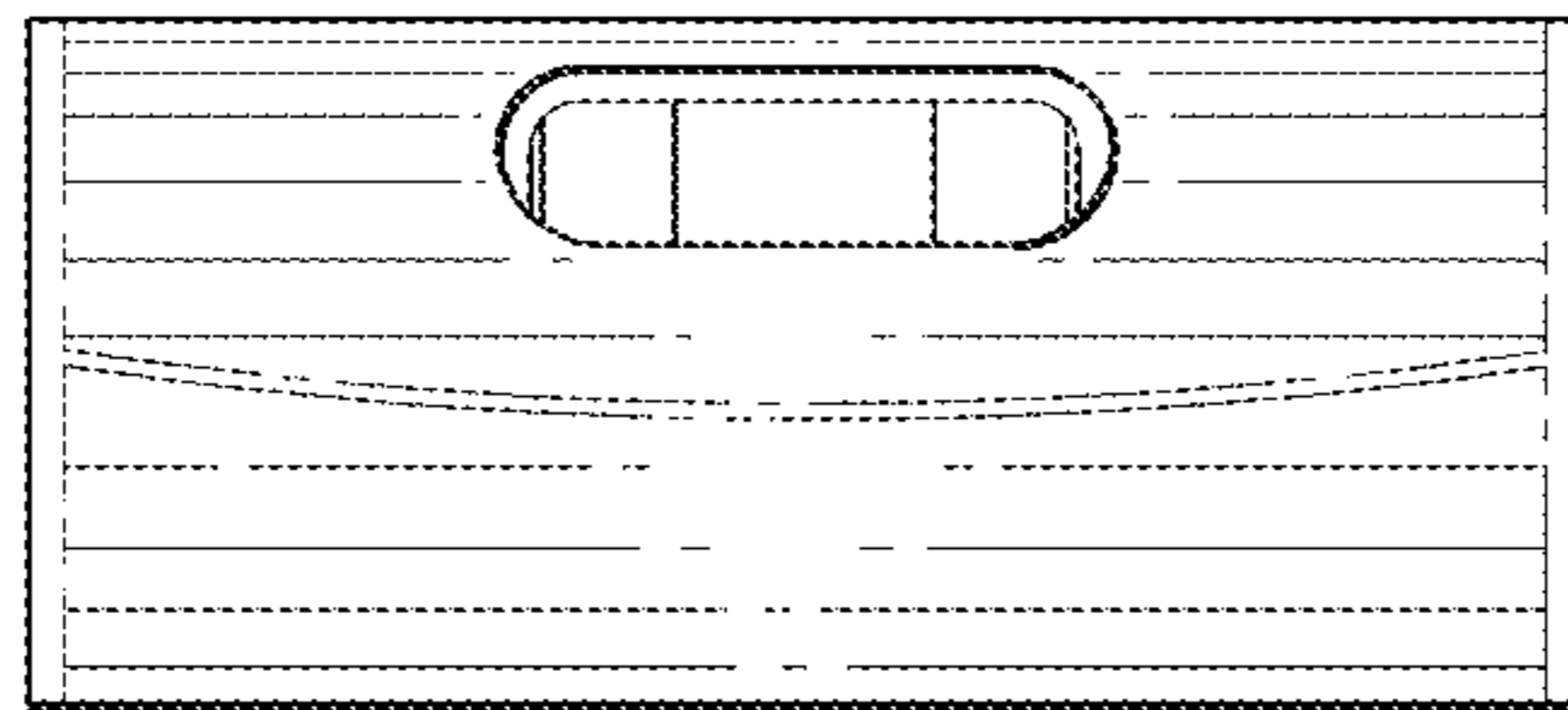


FIG. 5

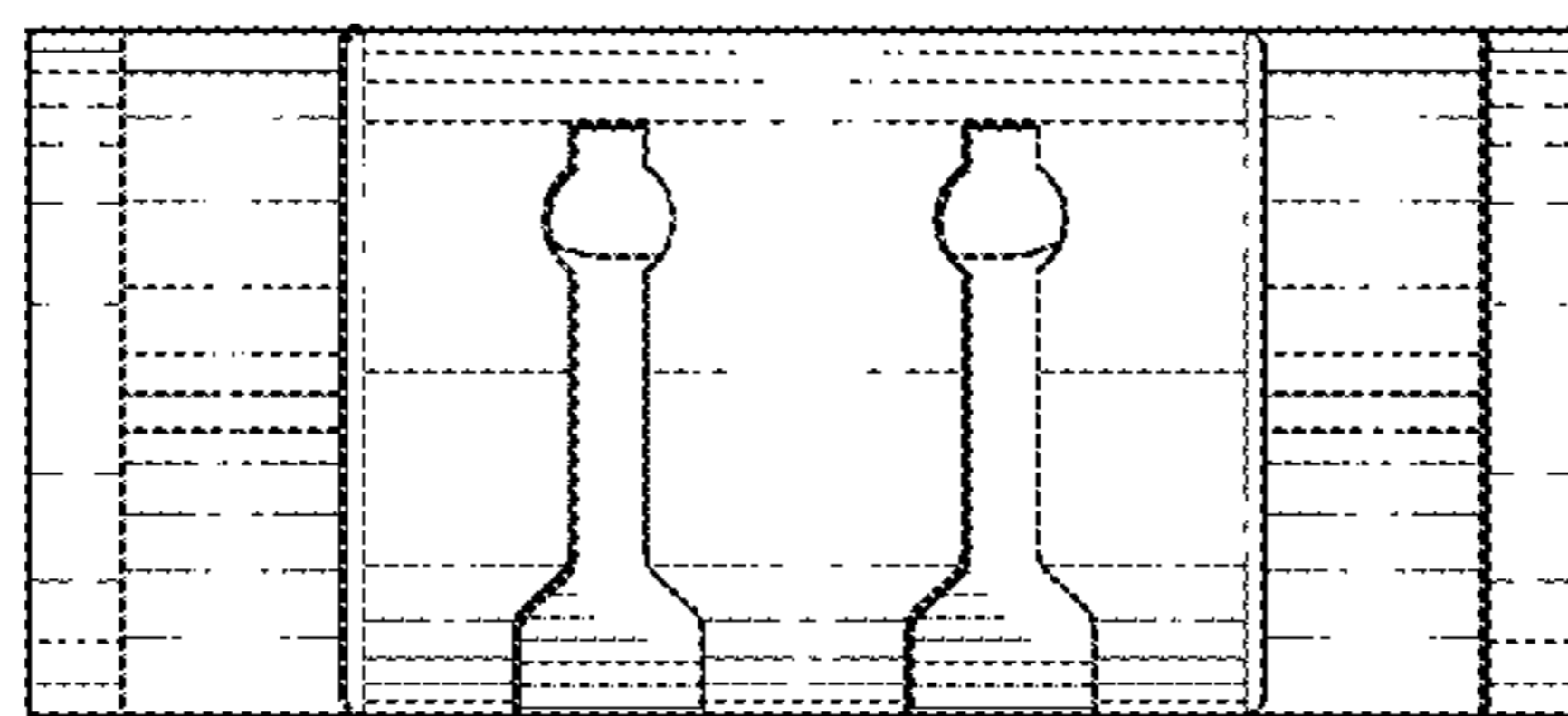


FIG. 6

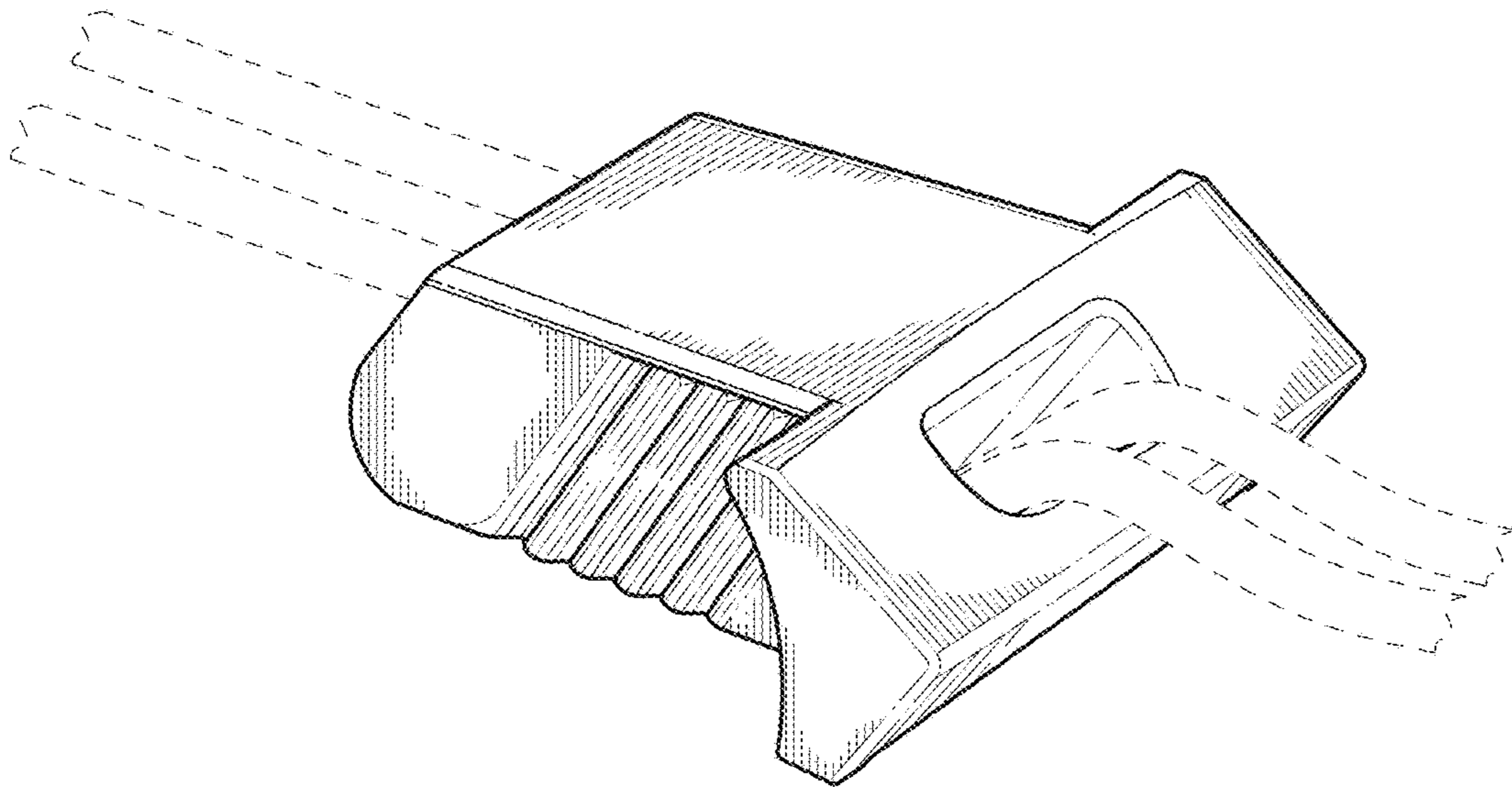


FIG. 7



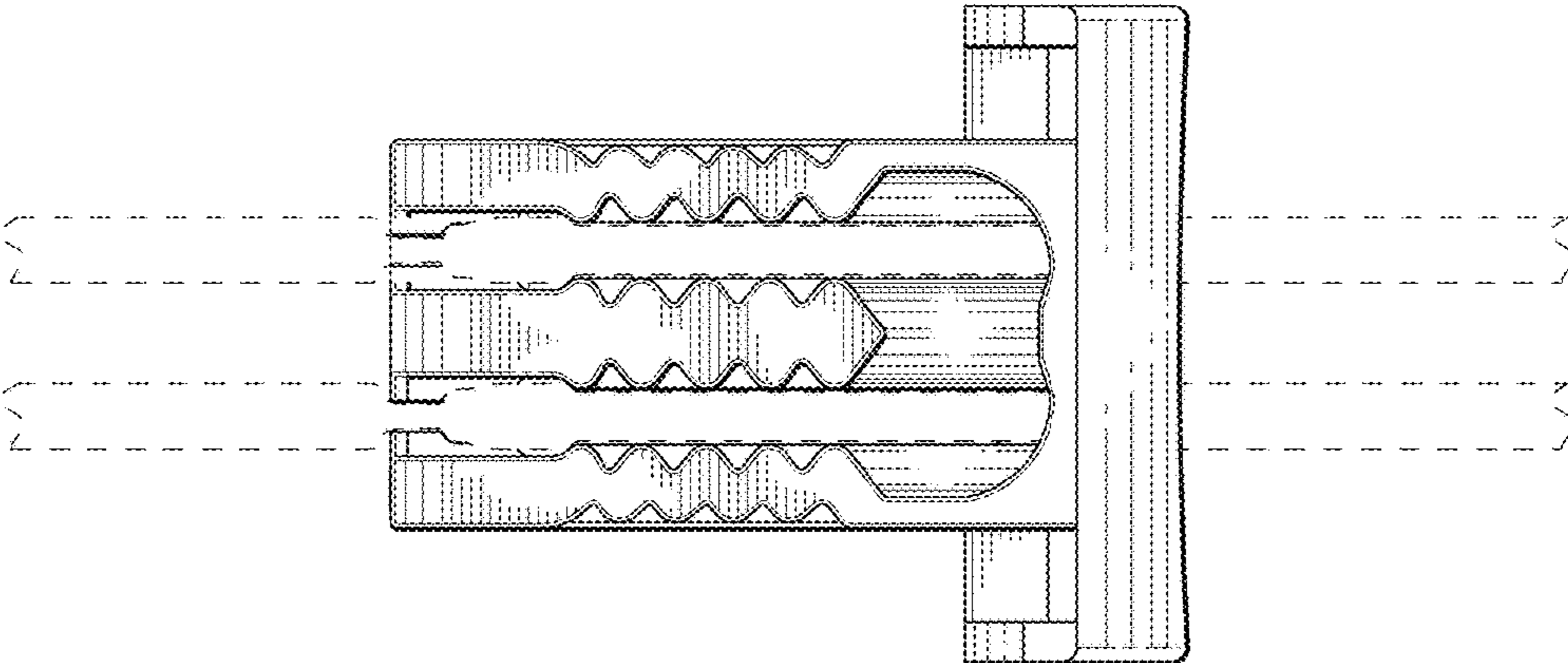


FIG. 8