



US00D831476S

(12) **United States Design Patent**
Sweeney et al.

(10) **Patent No.:** **US D831,476 S**
(45) **Date of Patent:** **** Oct. 23, 2018**

(54) **FASTENER HEAD**

(71) Applicant: **Spinal Generations, LLC**, Mokena, IL (US)

(72) Inventors: **Patrick J. Sweeney**, Flossmoor, IL (US); **Matthew V. Leyden**, St. Paul, MN (US)

(73) Assignee: **Spinal Generations, LLC**, Mokena, IL (US)

(**) Term: **15 Years**

(21) Appl. No.: **29/597,124**

(22) Filed: **Mar. 14, 2017**

(51) **LOC (11) Cl.** **08-08**

(52) **U.S. Cl.**
USPC **D8/387; D24/155**

(58) **Field of Classification Search**
USPC D8/349, 382, 387, 388, 391, 393, 397, D8/399; D24/155, 156, 157
CPC F16B 15/00; F16B 19/00; F16B 19/02; F16B 23/00; F16B 23/0061; F16B 23/0007; F16B 23/0015; F16B 23/0069; F16B 23/0084; F16B 25/0036; F16B 35/04; F16B 35/06; F16B 35/041; A61B 17/68; A61B 17/686; A61B 17/7083; A61B 2017/0648;

(Continued)

(56) **References Cited**

U.S. PATENT DOCUMENTS

D242,428 S * 11/1976 Morris D8/338
D358,212 S * 5/1995 Sullivan D24/156

(Continued)

Primary Examiner — Sandra S Snapp
Assistant Examiner — Ieisha N Price

(74) *Attorney, Agent, or Firm* — Foley & Lardner LLP

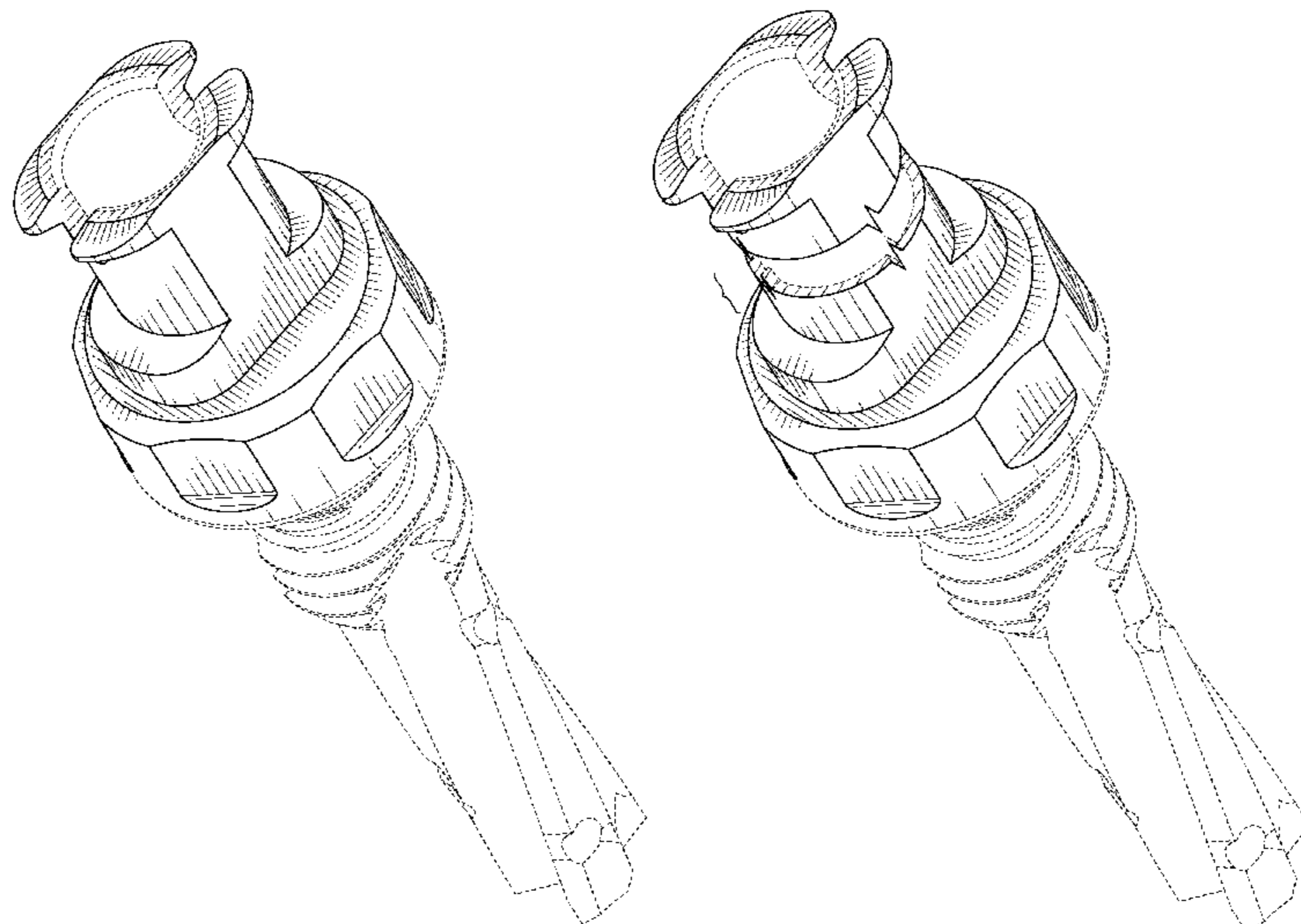
(57) **CLAIM**

We claim the ornamental design for a fastener head, as shown and described.

DESCRIPTION

FIG. 1 is a top perspective view of the first embodiment of the claimed design;
FIG. 2 is a bottom perspective view of the claimed design of FIG. 1;
FIG. 3 is a front elevation view of the claimed design of FIG. 1;
FIG. 4 is a rear elevation view of the claimed design of FIG. 1;
FIG. 5 is a left side view of the claimed design of FIG. 1;
FIG. 6 is a right side view of the claimed design of FIG. 1;
FIG. 7 is a top view of the claimed design of FIG. 1;
FIG. 8 is a bottom view of the claimed design of FIG. 1;
FIG. 9 is a top perspective view of the second embodiment of the claimed design;
FIG. 10 is a bottom perspective view of the claimed design of FIG. 9;
FIG. 11 is a front elevation view of the claimed design of FIG. 9;
FIG. 12 is a rear elevation view of the claimed design of FIG. 9;
FIG. 13 is a left side view of the claimed design of FIG. 9;
FIG. 14 is a right side view of the claimed design of FIG. 9;
FIG. 15 is a top view of the claimed design of FIG. 9; and, FIG. 16 is a bottom view of the claimed design of FIG. 9.
The ornamental design which is claimed is shown in solid lines in the drawings. The broken lines in the drawings are for illustrative purposes only and form no part of the claimed design. The fastener head of FIGS. 9-16 is shown with a symbolic break in its length. The appearance of any portion of the article between the break lines forms no part of the claimed design.

1 Claim, 10 Drawing Sheets



(58) **Field of Classification Search**

CPC A61B 17/7082; A61B 17/8605; A61B
17/861; A61B 17/8877; A61B 17/862;
A61B 17/8883; A61B 17/8635

See application file for complete search history.

(56) **References Cited**

U.S. PATENT DOCUMENTS

D366,115	S	*	1/1996	Sullivan	D24/156
D441,448	S	*	5/2001	Kumar	D24/156
D574,958	S	*	8/2008	Schendel	D24/156
D614,941	S	*	5/2010	Murphy	D8/387
D706,893	S	*	6/2014	Diederich	D21/840
D744,106	S	*	11/2015	Voudouris	D24/156
D773,926	S	*	12/2016	Sweeney	D8/387
D801,796	S	*	11/2017	Sweeney	D8/387
D803,038	S	*	11/2017	Baker	D8/387
D803,039	S	*	11/2017	Karlsson	D8/387
2011/0056166	A1	*	3/2011	Bartlett	E04G 9/04 52/742.14
2011/0257691	A1	*	10/2011	Sutterlin	A61B 17/862 606/305

* cited by examiner

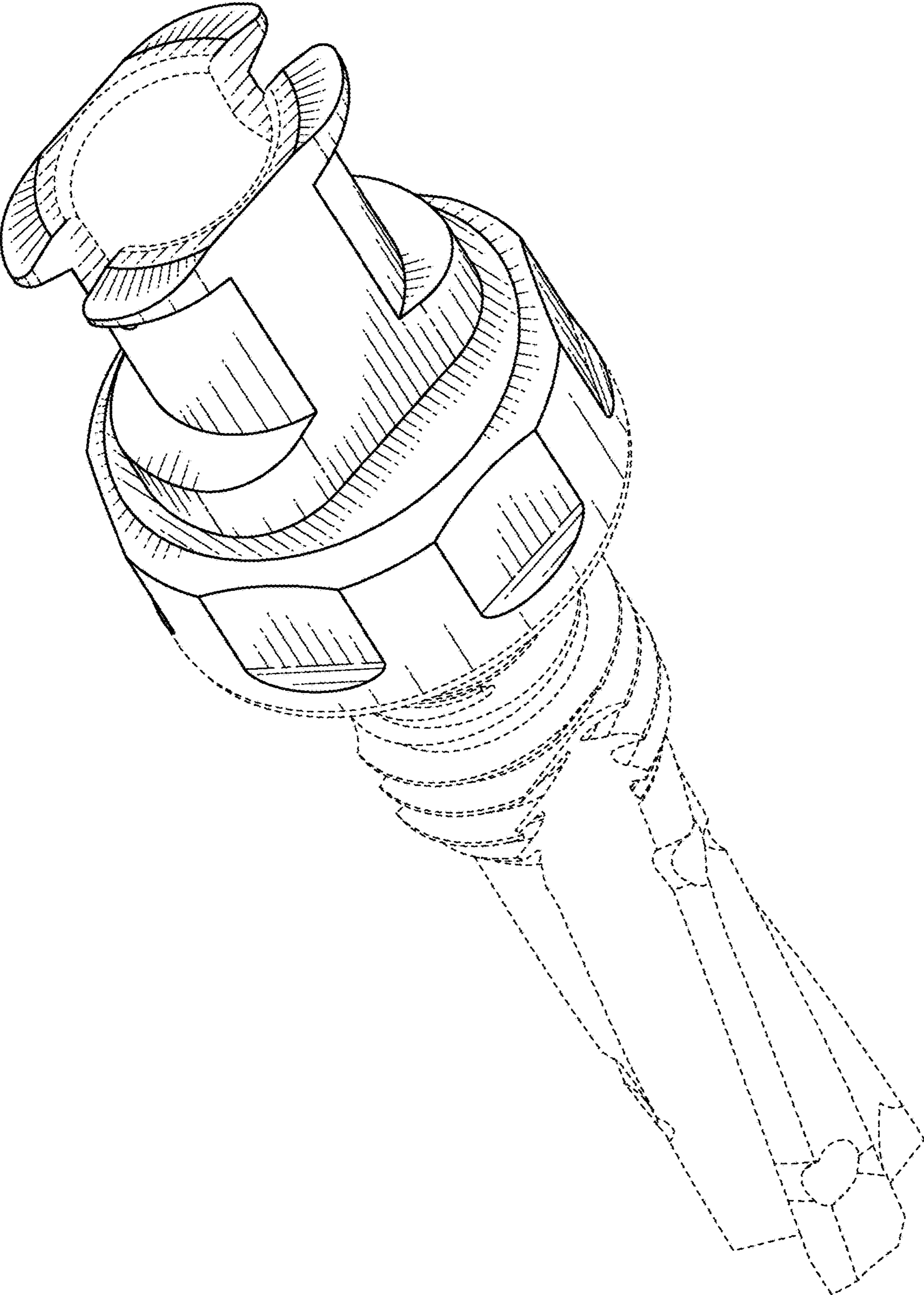


FIG. 1

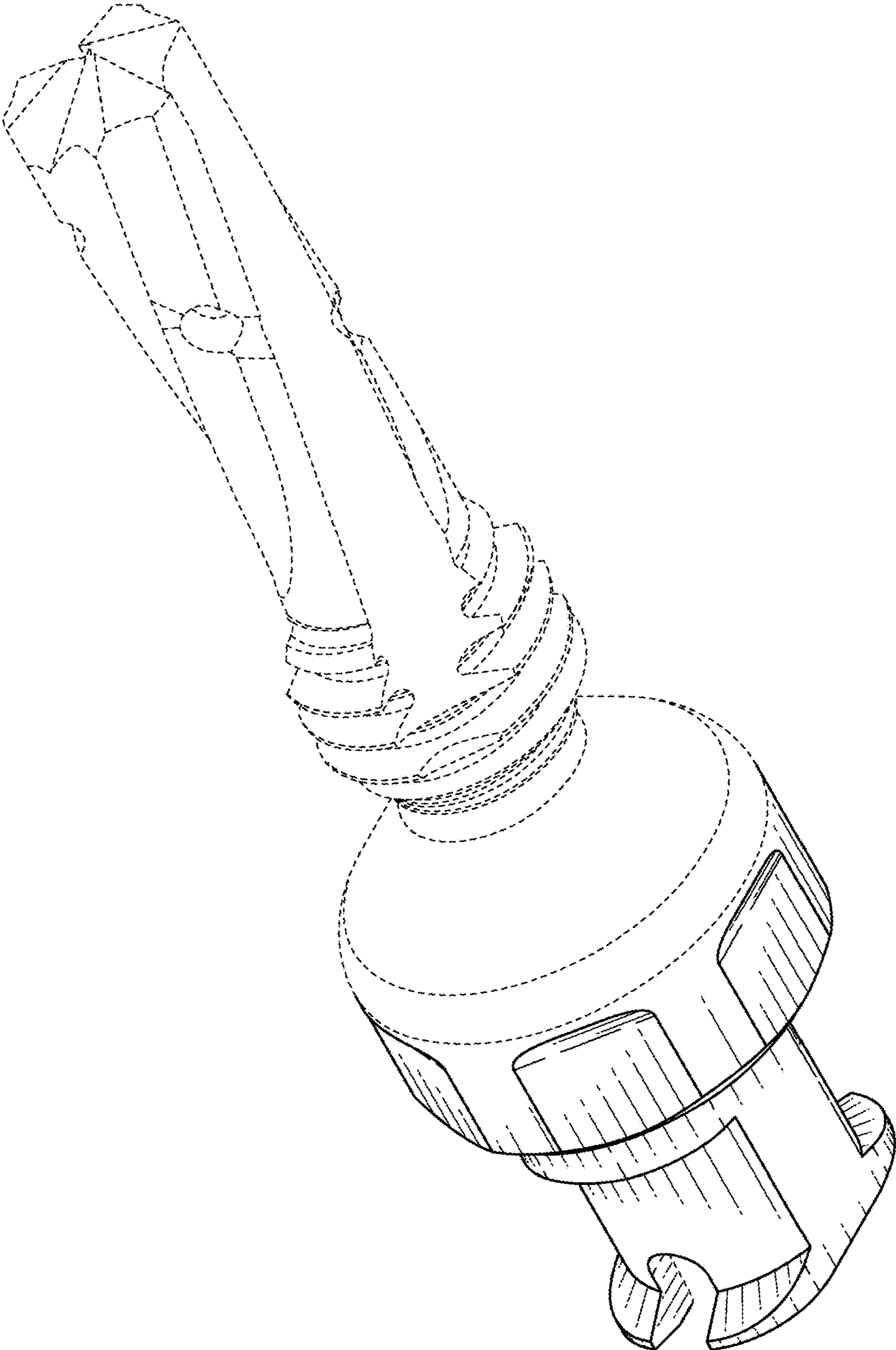


FIG. 2

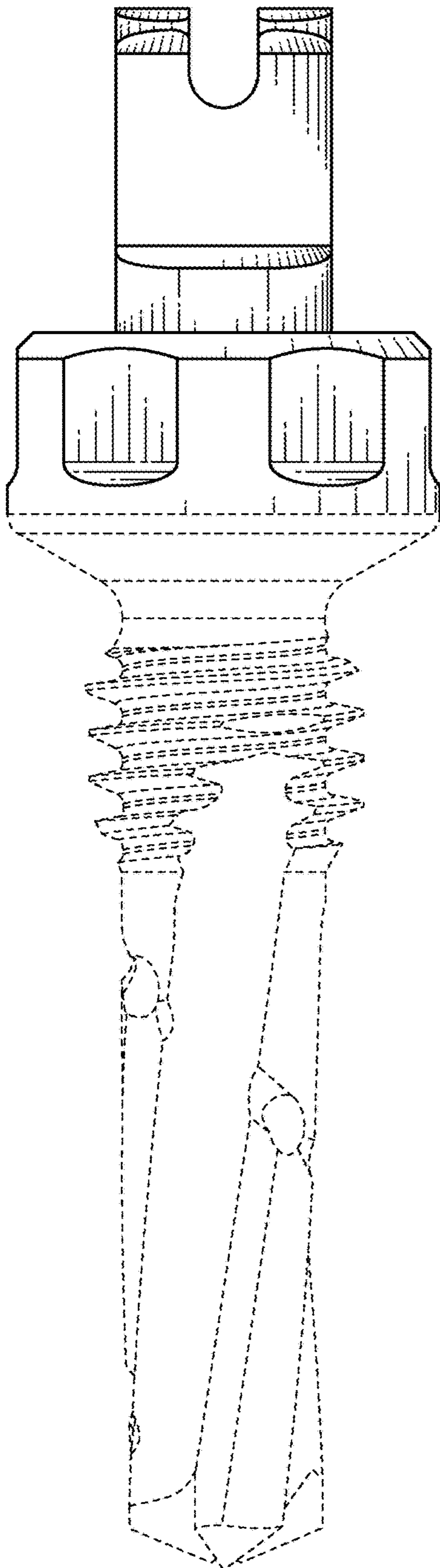


FIG. 3

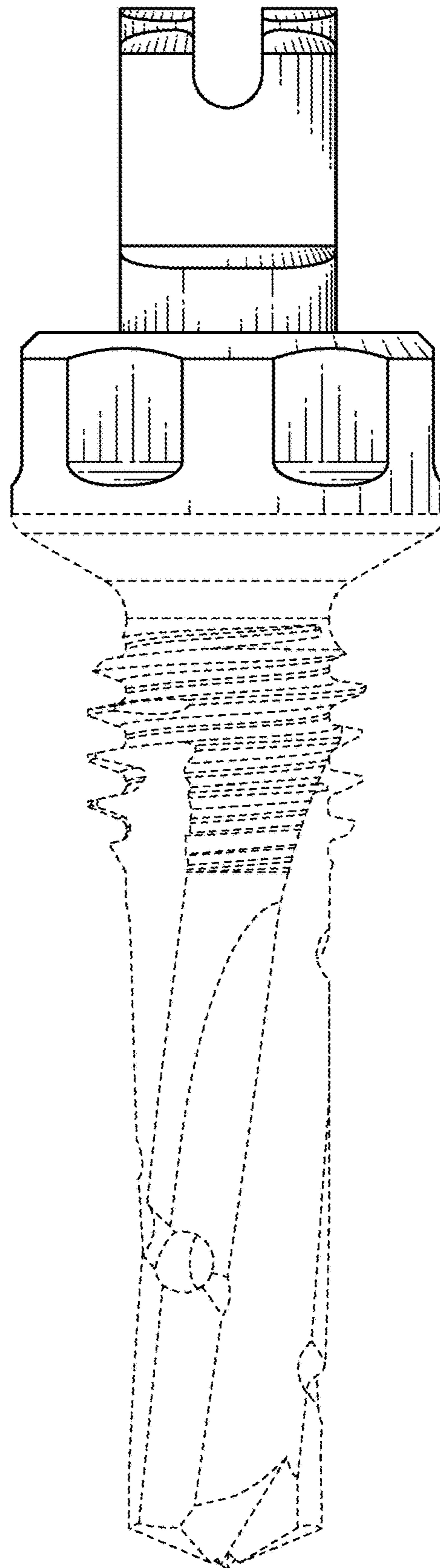


FIG. 4

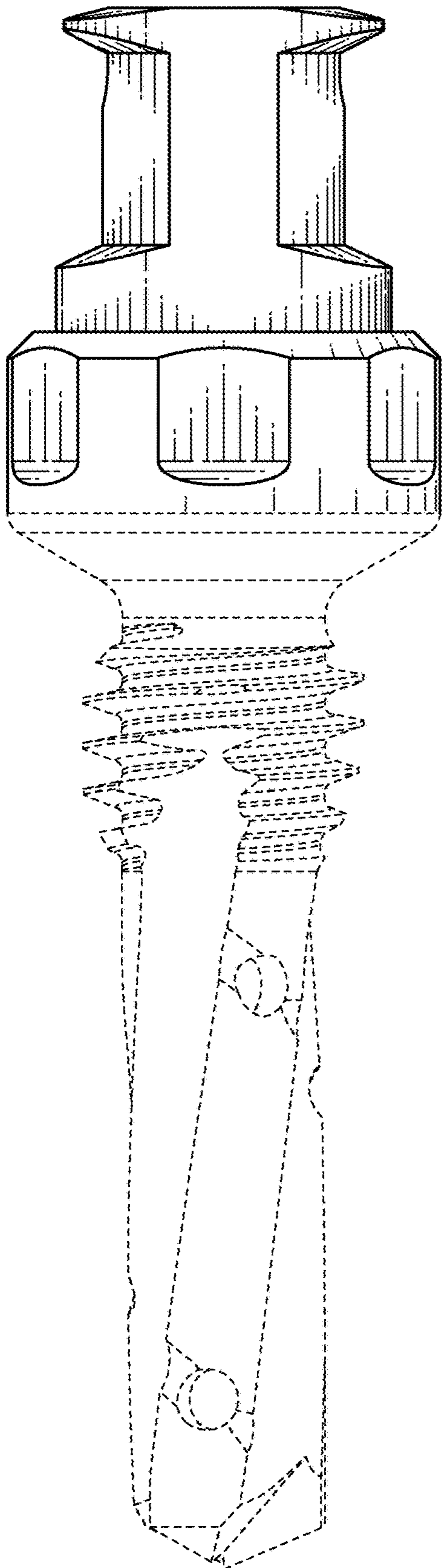


FIG. 5

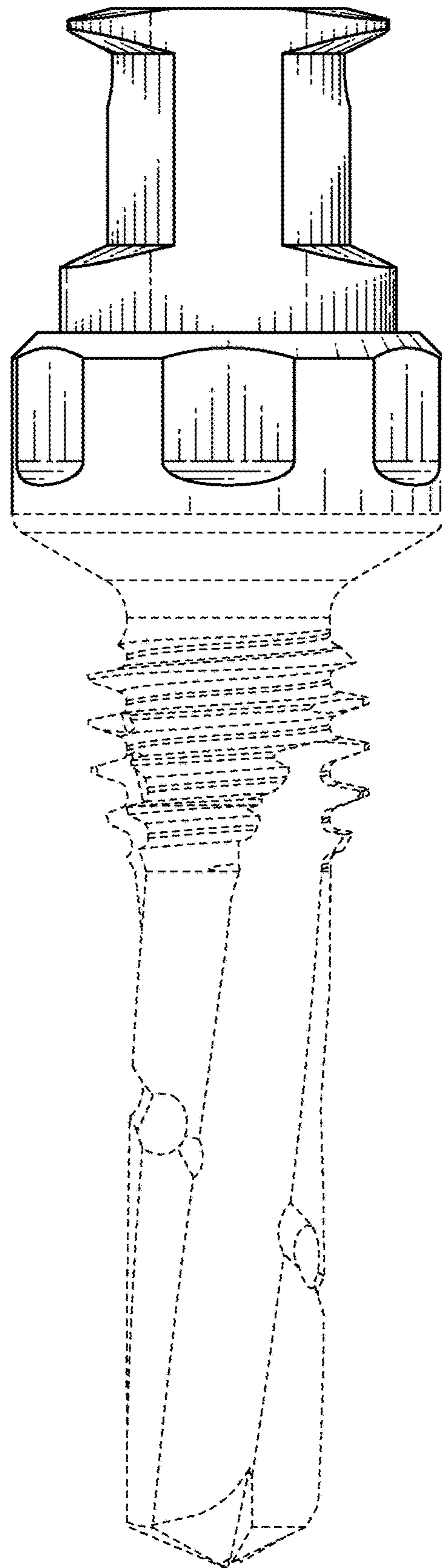


FIG. 6

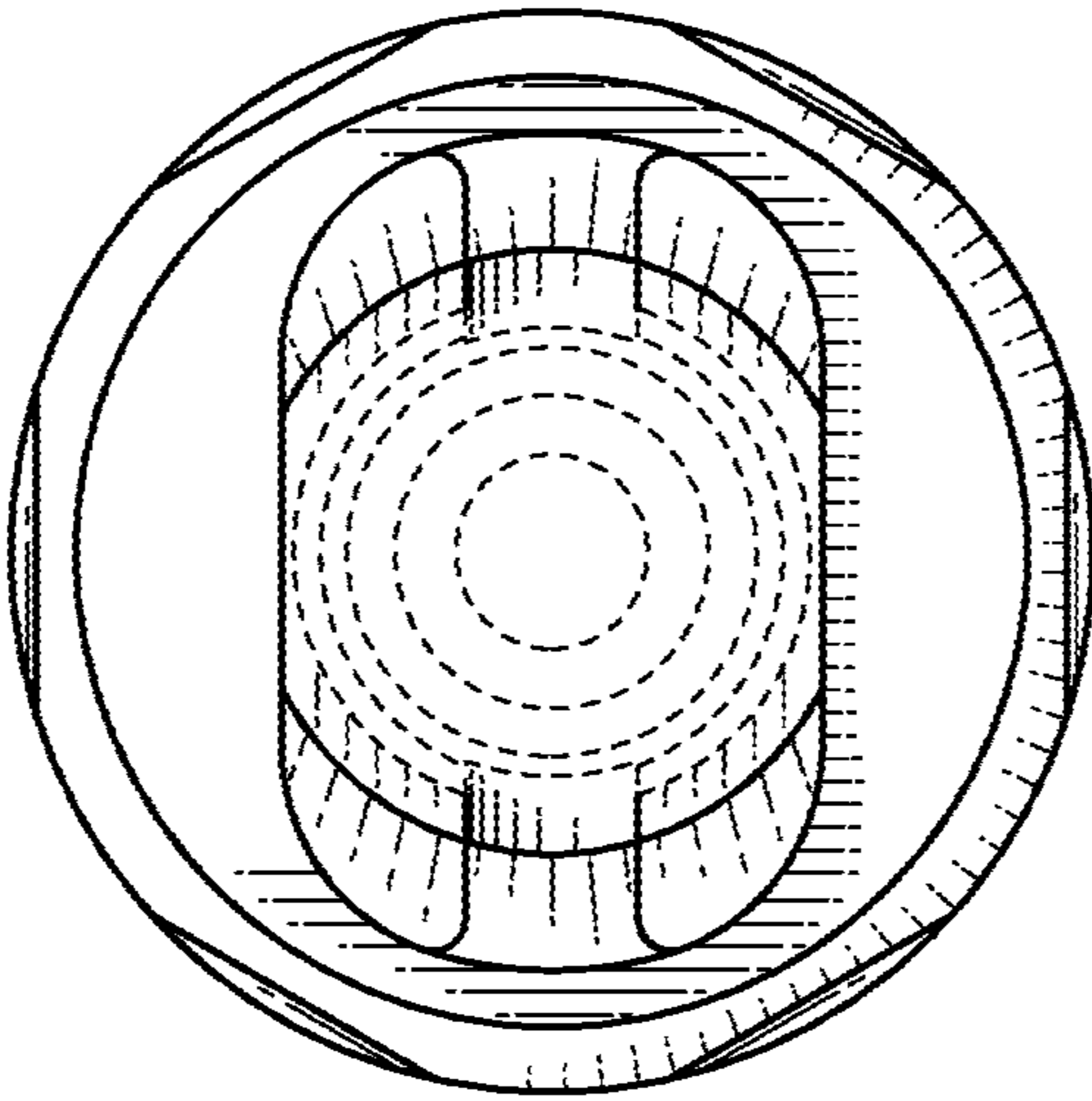


FIG. 7

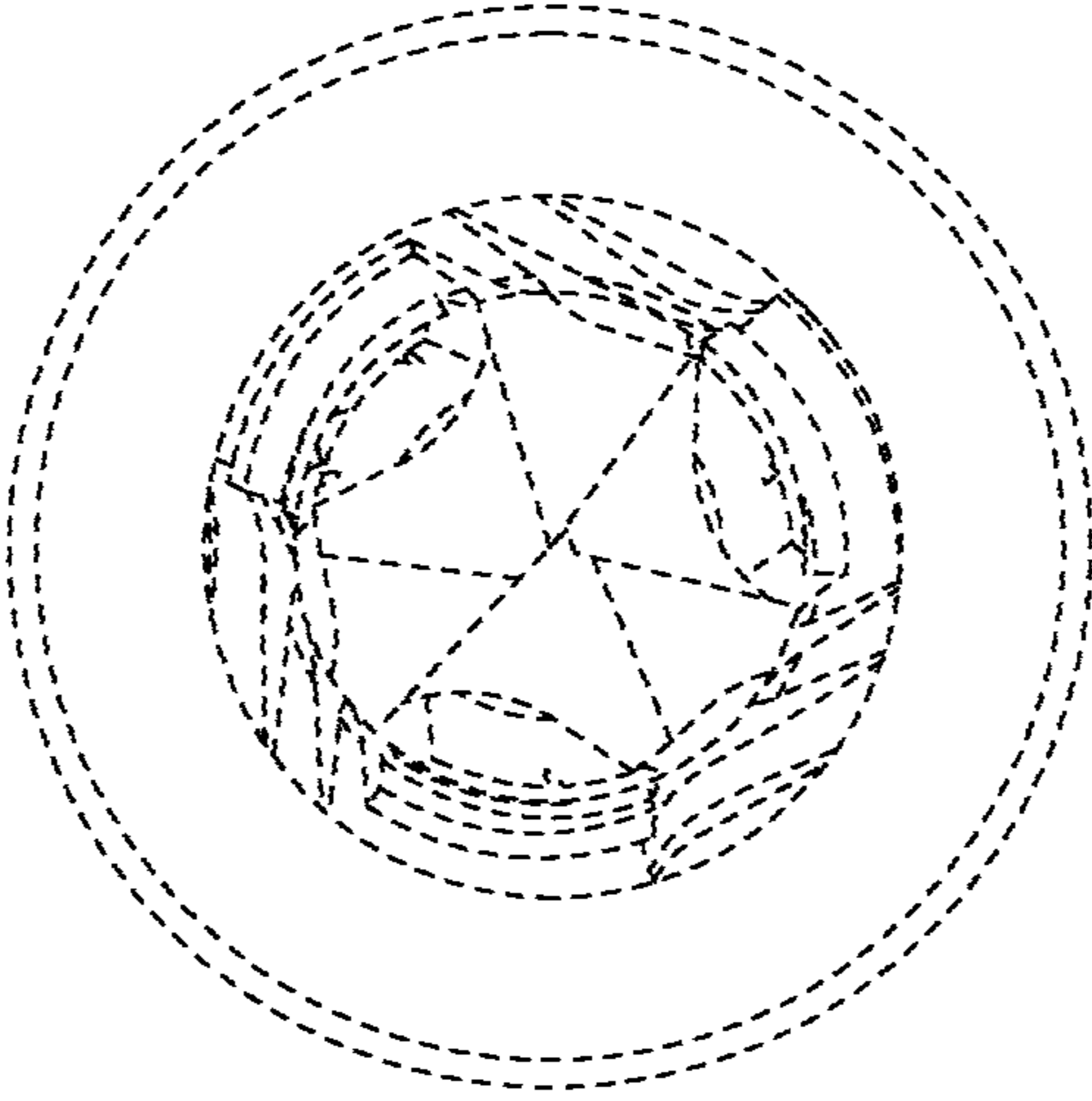


FIG. 8

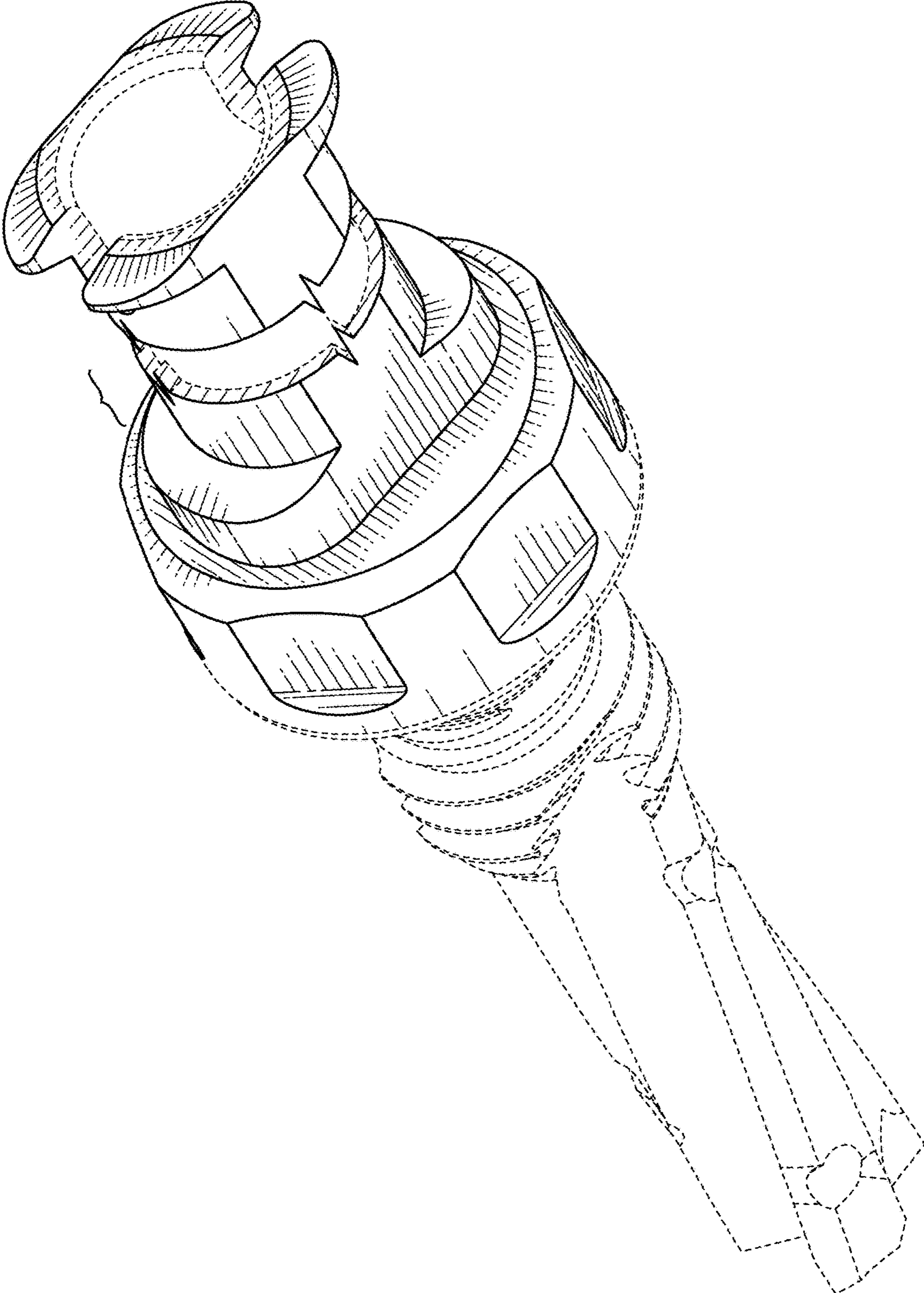


FIG. 9

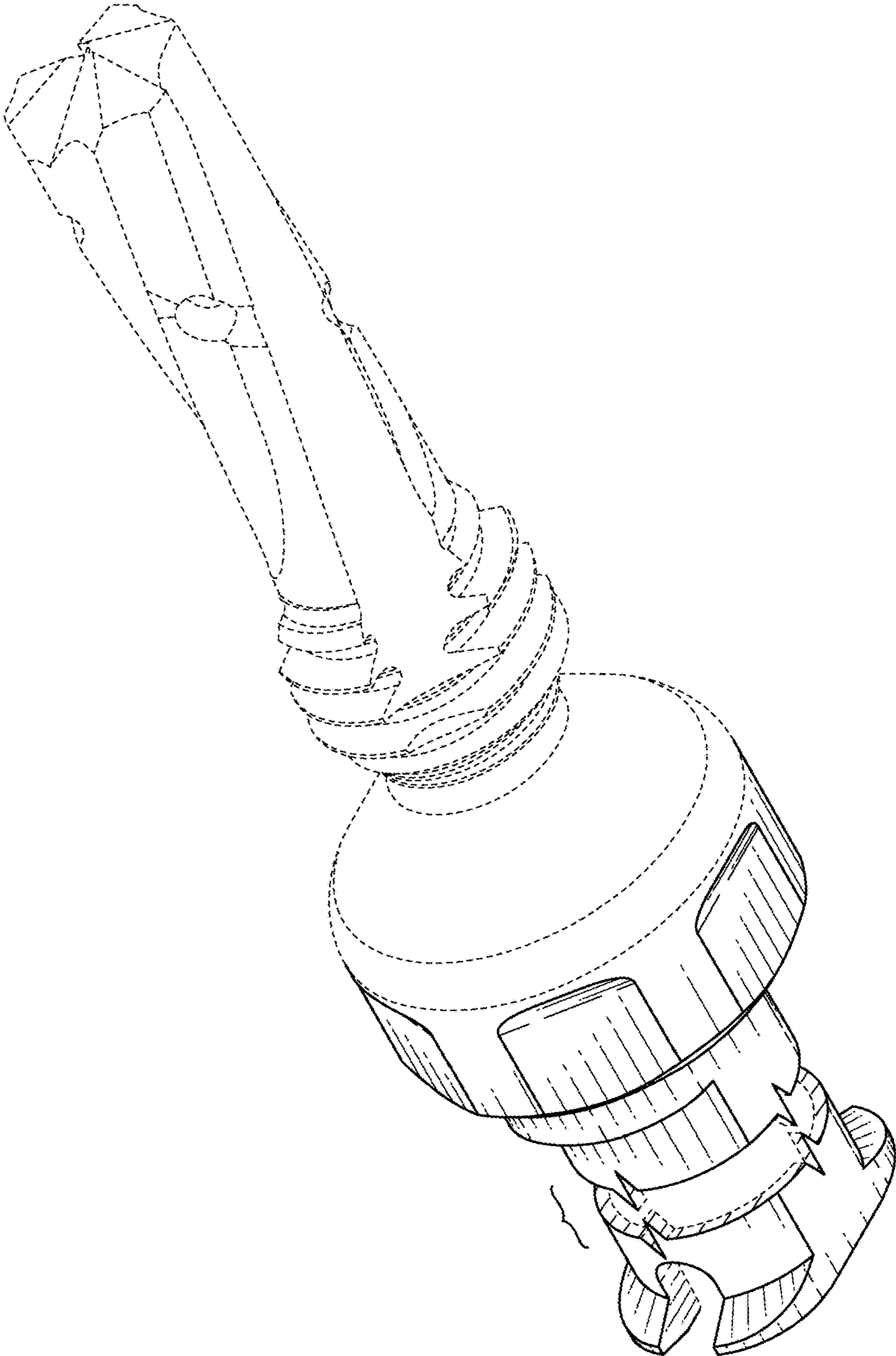


FIG. 10

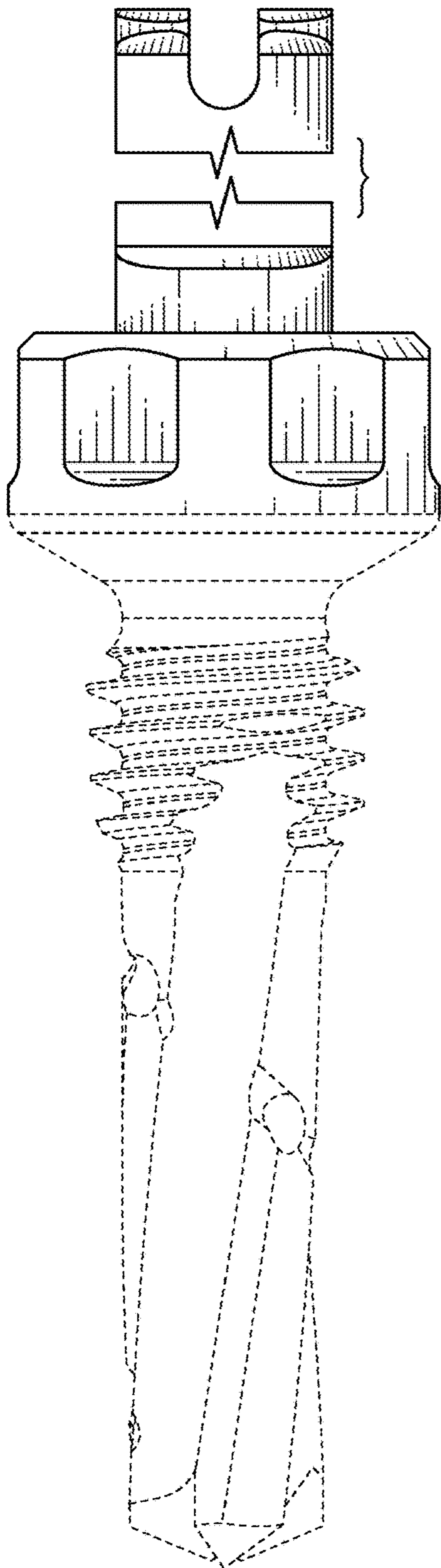


FIG. 11

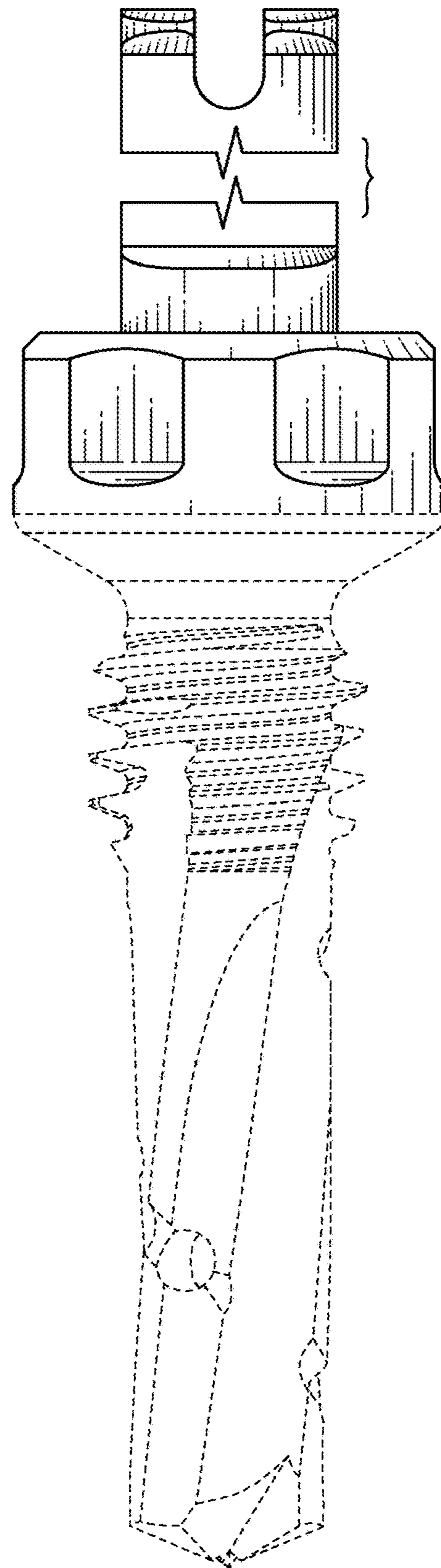


FIG. 12

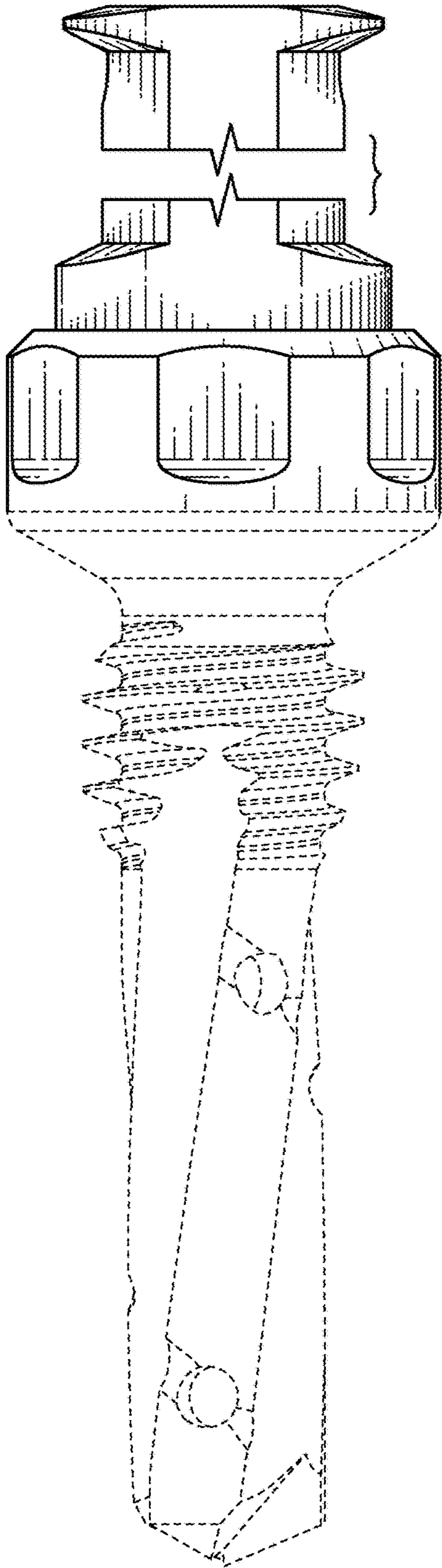


FIG. 13

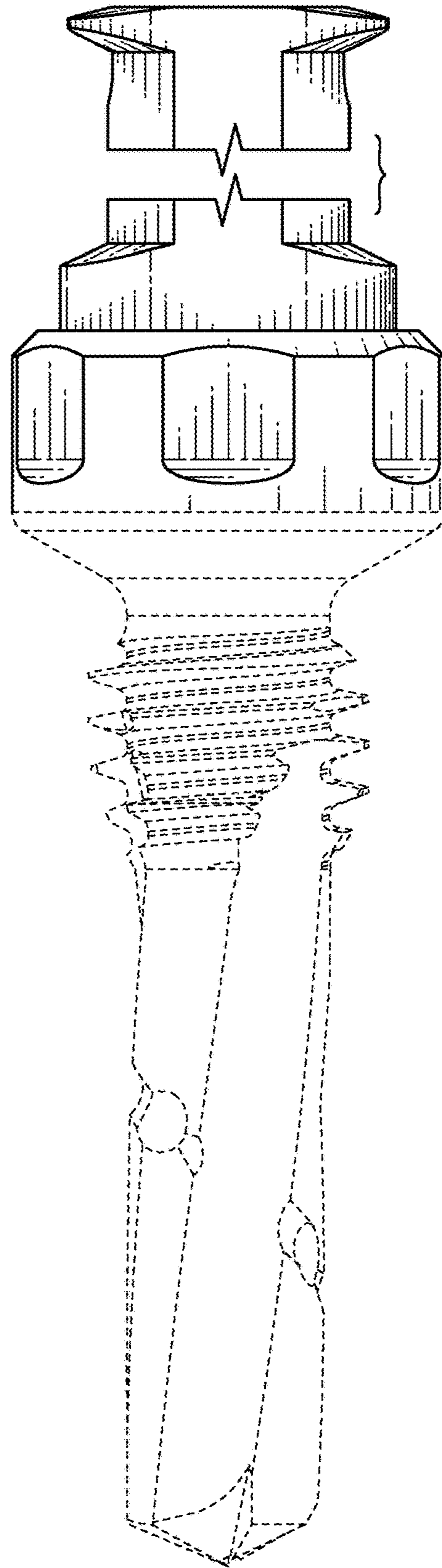


FIG. 14

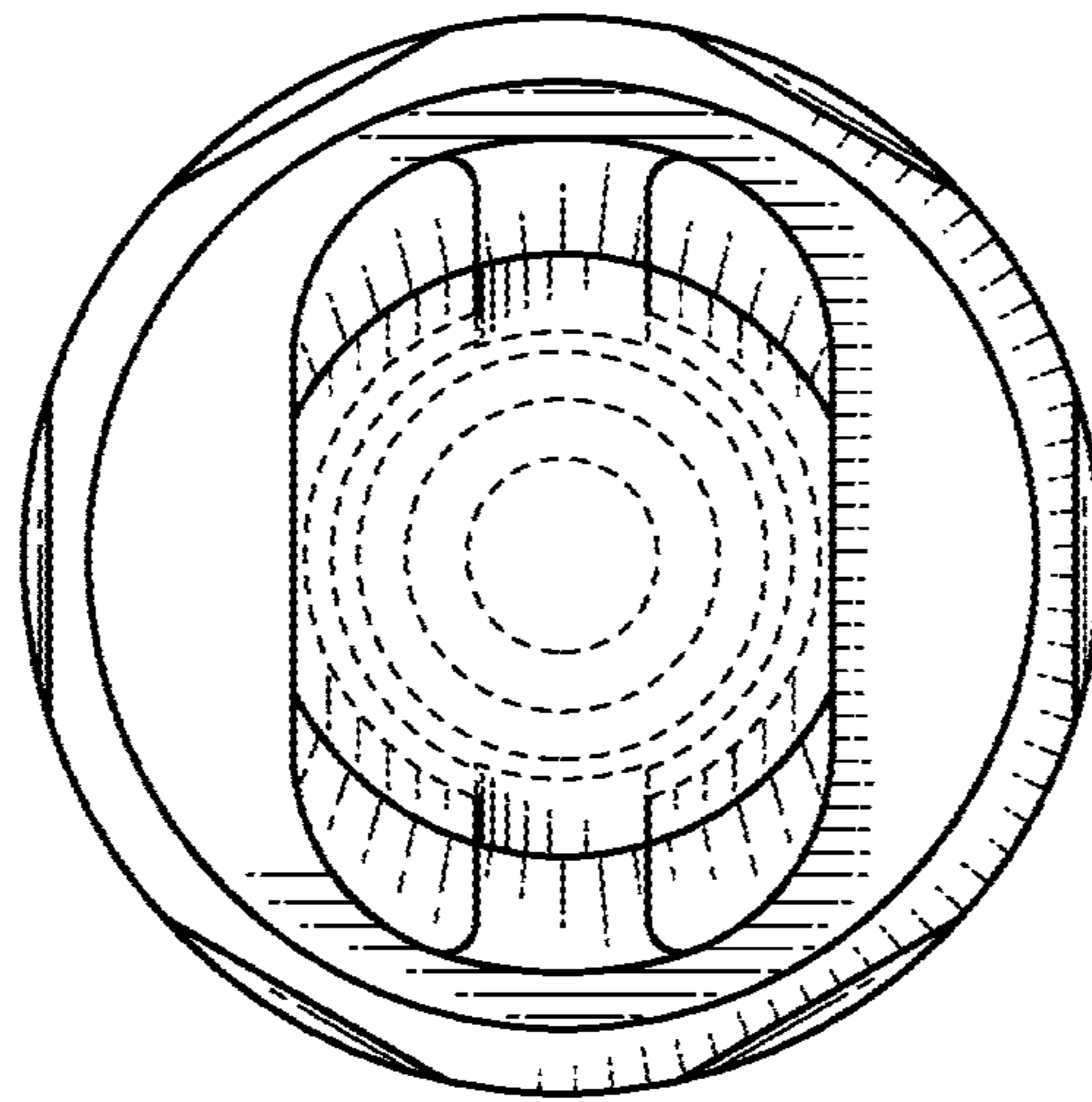


FIG. 15

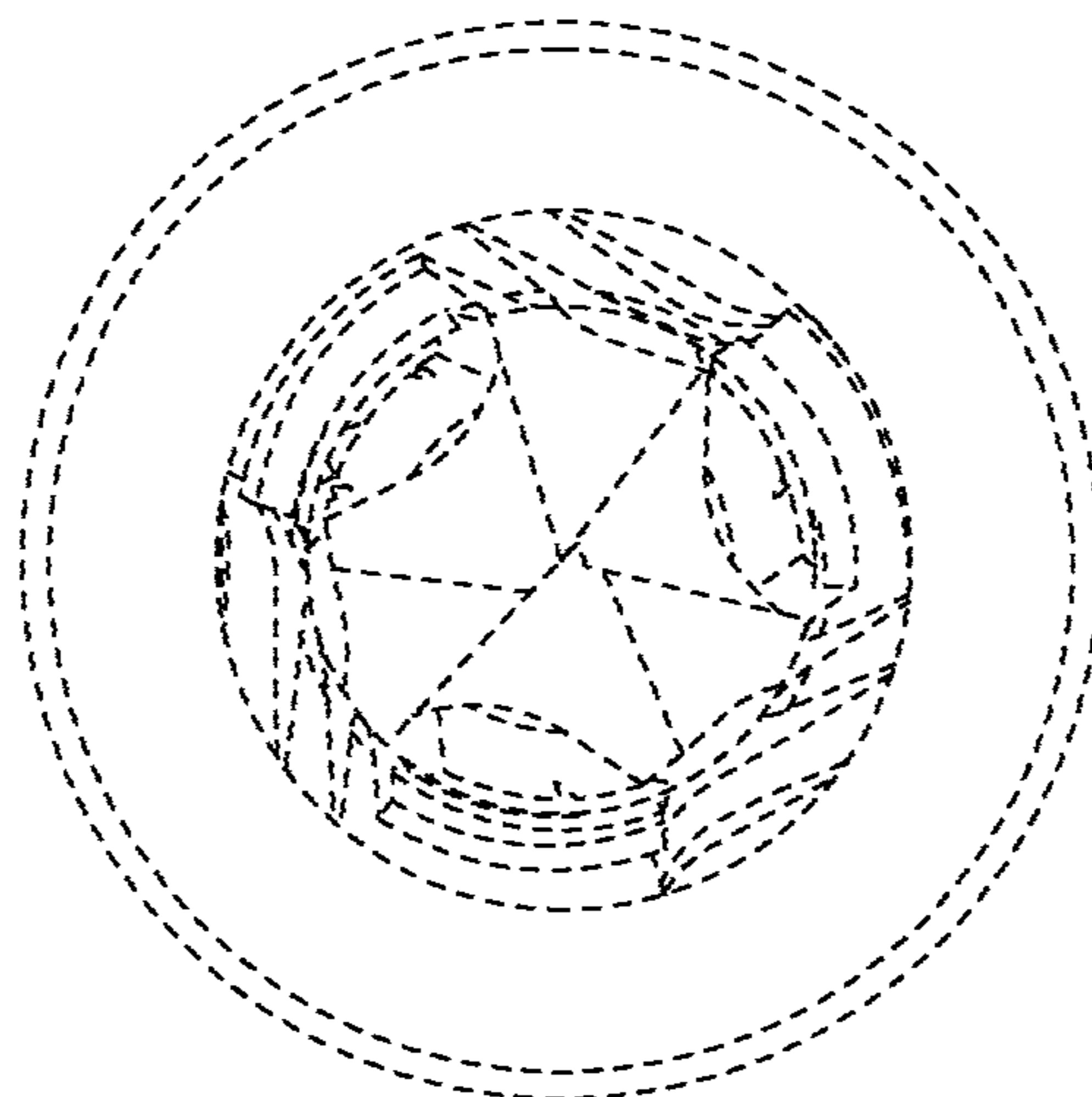


FIG. 16