



US00D831473S

(12) **United States Design Patent** (10) **Patent No.:** **US D831,473 S**
Ercole Auffray et al. (45) **Date of Patent:** **** Oct. 23, 2018**

(54) **SHELF BRACKET COMBINED WITH HANG ROD SUPPORT**

(71) Applicant: **CLAIRSON, INC.**, Newark, DE (US)

(72) Inventors: **Emmanuel Ercole Auffray**,
Gainesville, FL (US); **Dominic George Fasino**,
Gainesville, FL (US); **Daniel Wayne Brinton, Jr.**,
Ocala, FL (US)

(73) Assignee: **Clairson, Inc.**, Newark, DE (US)

(**) Term: **15 Years**

(21) Appl. No.: **29/591,093**

(22) Filed: **Jan. 17, 2017**

(51) **LOC (11) Cl.** **08-05**

(52) **U.S. Cl.**
USPC **D8/381**

(58) **Field of Classification Search**
USPC D8/380, 381, 400, 402, 499

(Continued)

(56) **References Cited**

U.S. PATENT DOCUMENTS

D23,731 S * 10/1894 Burgess D8/381
D24,909 S * 11/1895 Corscaden D8/381

(Continued)

OTHER PUBLICATIONS

Closet Maid 1409 Shelving Hang Rod Support Hook, posted at amazon.com, posting date by Jan. 11, 2018, [online], [site visited Apr. 5, 2018]. Available from Internet, URL: <https://www.amazon.com/ClosetMaid-1408-Premium-Shelving-Nickel-Hang/dp/B074VC8LK4> (Year: 2018).*

(Continued)

Primary Examiner — George D. Kirschbaum

Assistant Examiner — Maria J Edwards

(74) *Attorney, Agent, or Firm* — Harness, Dickey & Pierce, P.L.C.; Anthony G. Fussner

(57) **CLAIM**

The ornamental design for a shelf bracket combined with hang rod support, as shown and described.

DESCRIPTION

FIG. 1 is a perspective view of the shelf bracket portion of a shelf bracket combined with hang rod support showing our new design;

FIG. 2 is a front elevation view thereof;

FIG. 3 is a back elevation view thereof;

FIG. 4 is a right elevation view thereof;

FIG. 5 is a left elevation view thereof;

FIG. 6 is a bottom plan view thereof;

FIG. 7 is a top plan view thereof;

FIG. 8 is a perspective view of the hang rod support portion of a shelf bracket combined with hang rod support showing our new design;

FIG. 9 is a front elevation view thereof;

FIG. 10 is a back elevation view thereof;

FIG. 11 is a right elevation view thereof;

FIG. 12 is a left elevation view thereof;

FIG. 13 is a bottom plan view thereof;

FIG. 14 is a top plan view thereof;

FIG. 15 is a perspective view of the shelf bracket of FIG. 1 combined with the hang rod support of FIG. 8 showing our new design according to a first embodiment;

FIG. 16 is a front elevation view thereof;

FIG. 17 is a back elevation view thereof;

FIG. 18 is a right elevation view thereof;

FIG. 19 is a left elevation view thereof;

FIG. 20 is a bottom plan view thereof;

FIG. 21 is a top plan view thereof;

FIG. 22 is a perspective view of the shelf bracket of FIG. 1 with the hang rod support of FIG. 8 showing our new design according to a second embodiment;

FIG. 23 is a front elevation view thereof;

FIG. 24 is a back elevation view thereof;

FIG. 25 is a right elevation view thereof;

FIG. 26 is a left elevation view thereof;

(Continued)

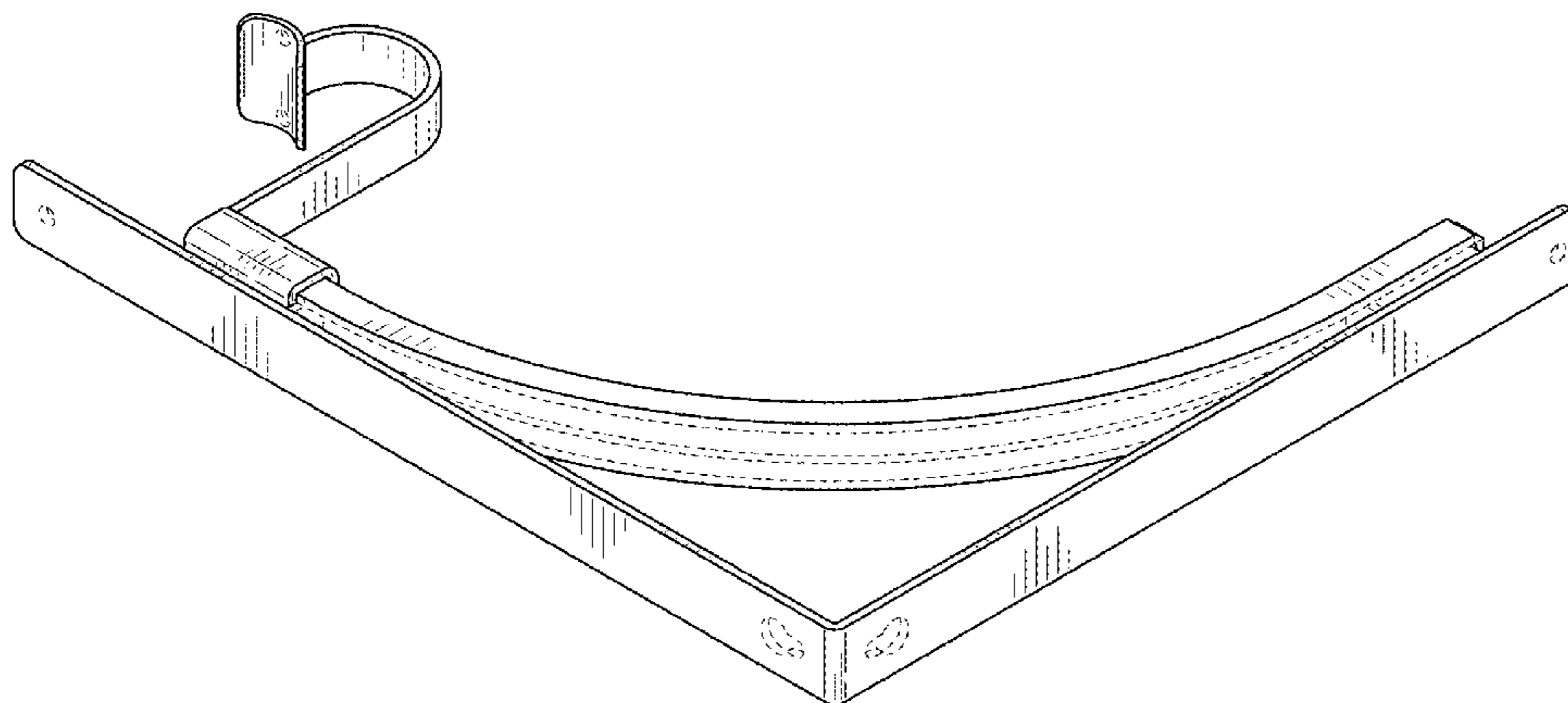


FIG. 27 is a bottom plan view thereof; and, FIG. 28 is a top plan view thereof. The broken lines depict portions of the article and form no part of the claimed design.

1 Claim, 15 Drawing Sheets

(58) **Field of Classification Search**

CPC A47B 96/06; A47B 96/061; A47B 57/42; A47B 57/52; A47B 57/56; A47G 25/0692
See application file for complete search history.

(56) **References Cited**

U.S. PATENT DOCUMENTS

D26,927	S	*	4/1897	Held	D8/381
2,859,879	A	*	11/1958	Rogers	A47B 96/027 211/90.01
2,900,085	A		8/1959	Levy		
2,908,471	A	*	10/1959	Hollansworth	A47B 96/027 108/29
3,669,395	A	*	6/1972	Gehrke	A47F 5/08 108/29
3,695,569	A	*	10/1972	Pullan	A47B 96/061 248/235
3,702,591	A	*	11/1972	Banse	A47B 96/027 108/31
D315,862	S	*	4/1991	Specker, Jr.	D8/373
D365,016	S	*	12/1995	Hollinger	D8/381
5,582,303	A		12/1996	Sloan		

6,053,465	A		4/2000	Kluge		
D605,029	S	*	12/2009	Puksta	D8/380
D605,932	S	*	12/2009	Piersant	D8/381
D763,009	S	*	8/2016	Murphy	F16M 13/02 D6/556
D797,989	S	*	9/2017	Herft	D26/145
D798,496	S	*	9/2017	Herft	D26/145
D811,205	S	*	2/2018	Hanley	D8/380
D813,021	S	*	3/2018	Hanley	D8/380
D813,022	S	*	3/2018	Hanley	D8/380

OTHER PUBLICATIONS

Closet Maid 8908 Suite Symphony Center Rod Bracket, posted at amazon.com, posting date by Apr. 5, 2016, [online], [site visited Apr. 5, 2018]. Available from Internet, URL: <https://www.amazon.com/ClosetMaid-8908-SuiteSymphony-Center-Bracket/dp/B0062NY4SS> (Year: 2016).*

KV Hanging Rod Saddle for Shelf Bracket, posted at amazon.com, posting date not given, [online], [site visited Apr. 5, 2018]. Available from Internet, URL: <https://www.amazon.com/Hanging-Saddle-Shelf-Bracket-Anochrome/dp/B000WIW1KW/> (Year: 2018).*

Tejatan set of 6 Curtain Rod Brackets, posted at amazon.com, posting date by Jun. 15, 2017, [online], [site visited Apr. 5, 2018]. Available from Internet, URL: <https://www.amazon.com/Tejatan-Curtain-Rod-Brackets-Draperies/dp/B072P6FY5H/> (Year: 2017).*

Black steel aris decorative shelf bracket; www.homedepot.com; accessed Dec. 19, 2016; 2 pgs.

Black arch steel decorative shelf bracket; www.homedepot.com; accessed Dec. 19, 2016; 2 pgs.

* cited by examiner

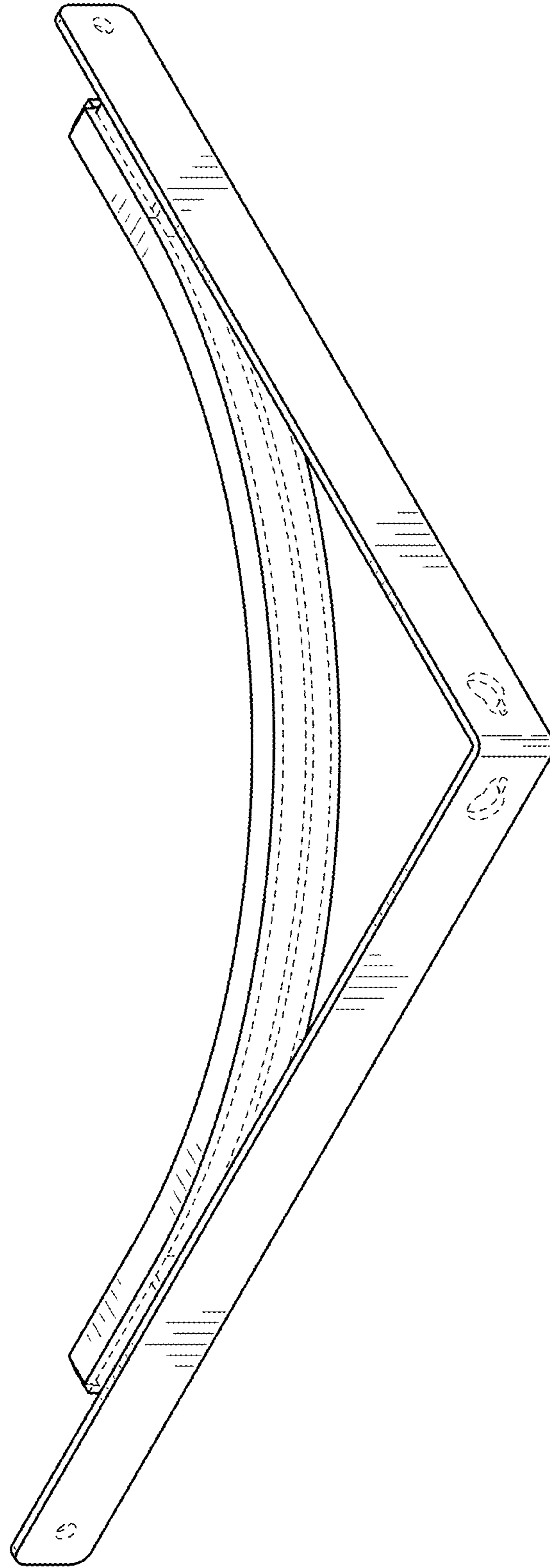


FIG. 1



FIG. 2



FIG. 3



FIG. 4



FIG. 5

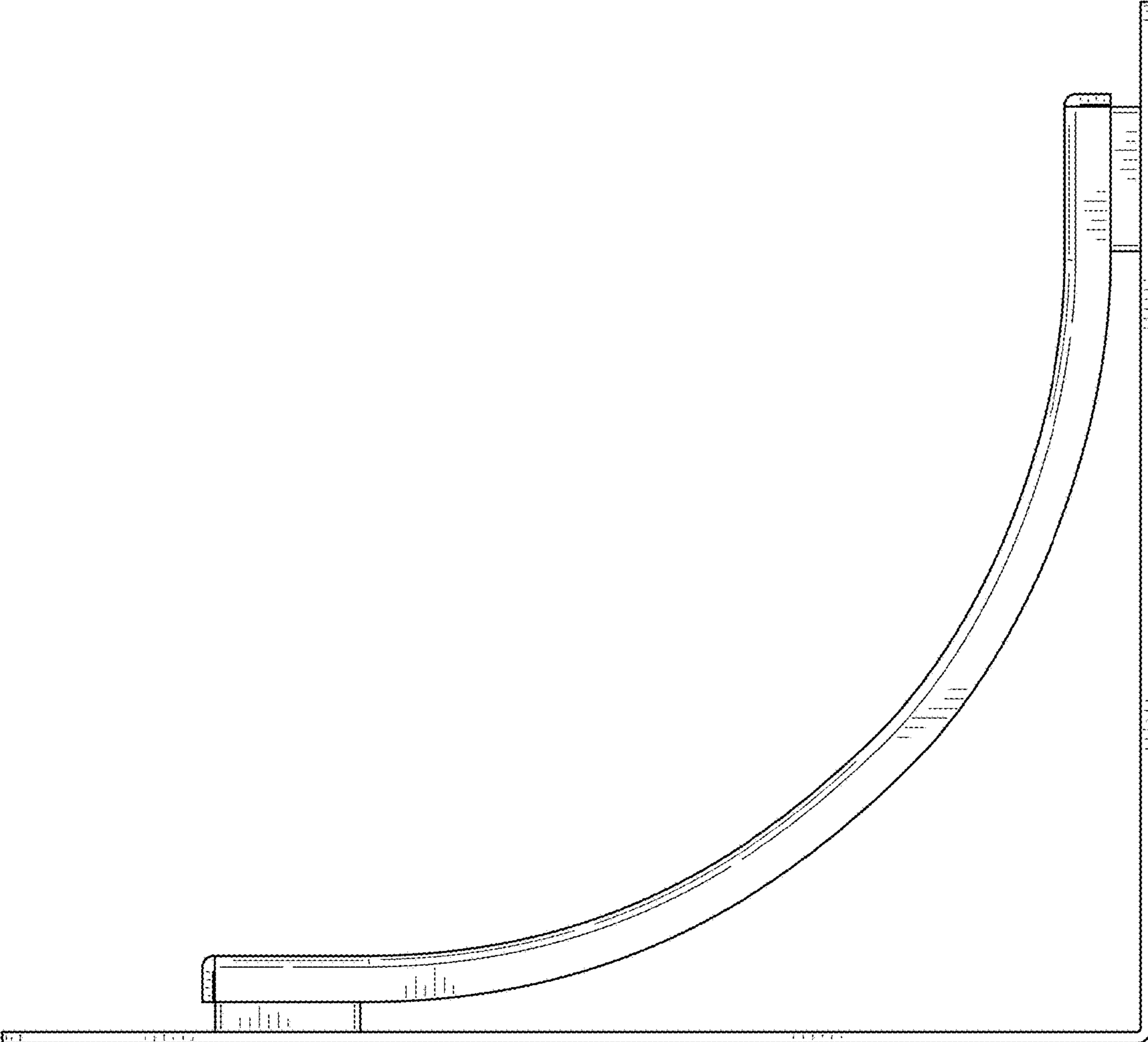


FIG. 6

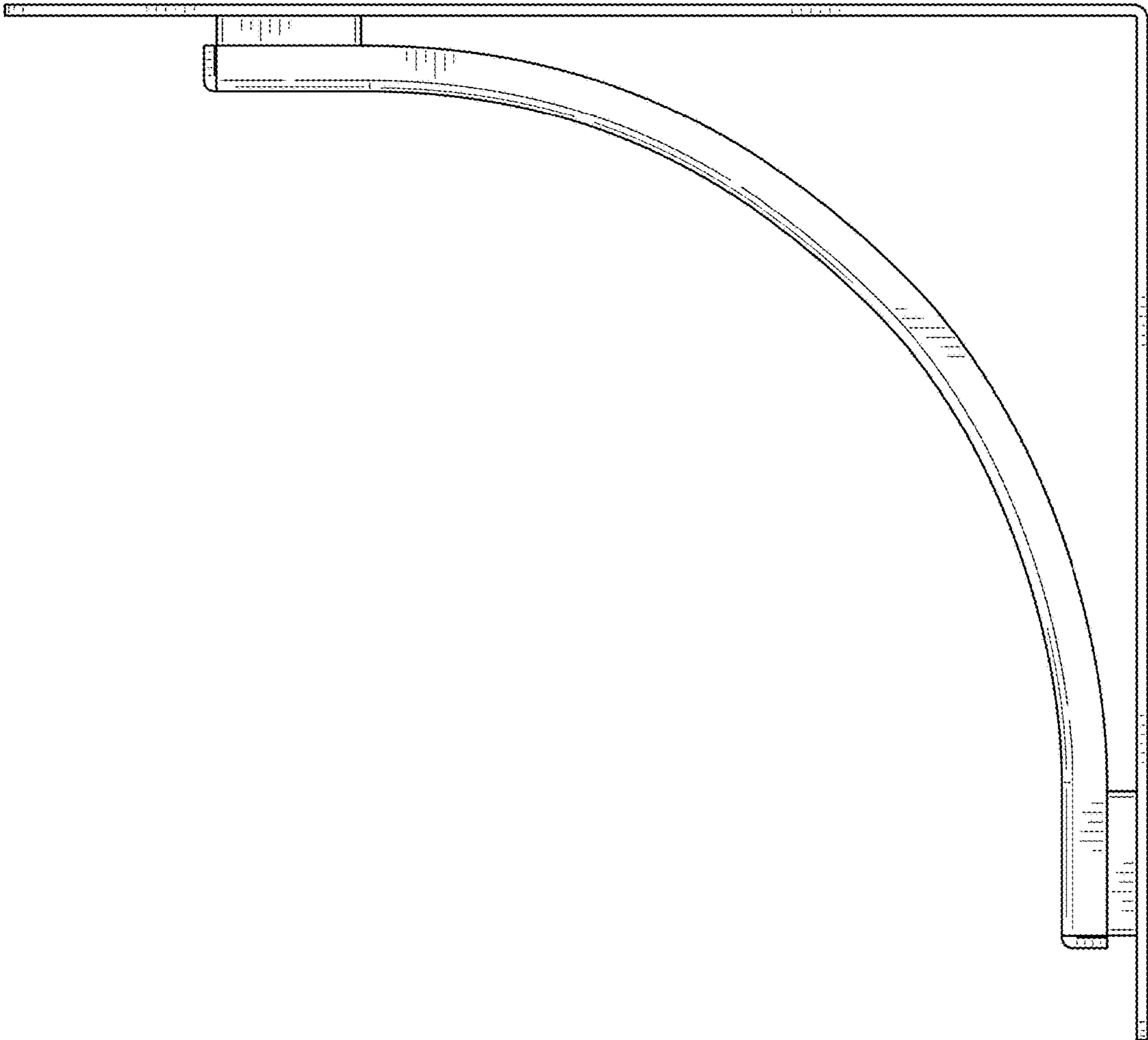


FIG. 7

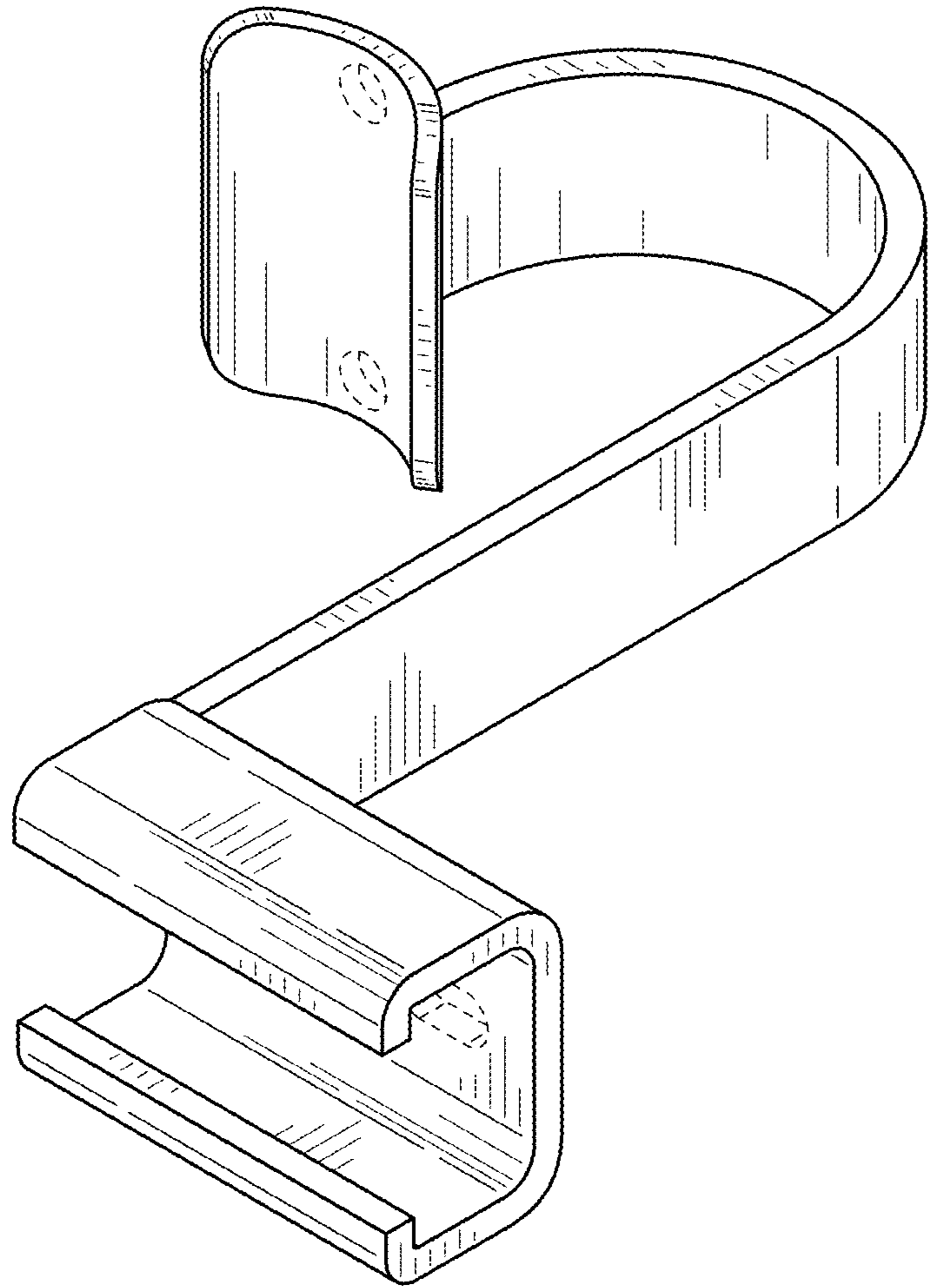


FIG. 8

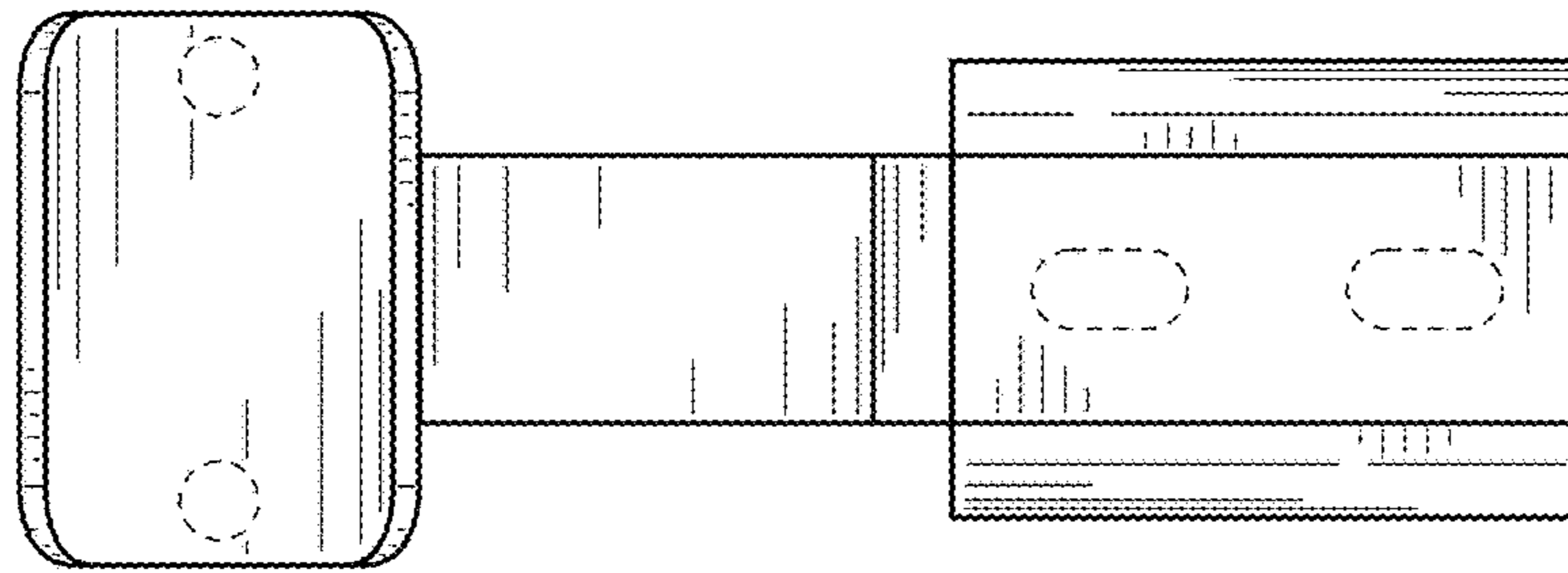


FIG. 9

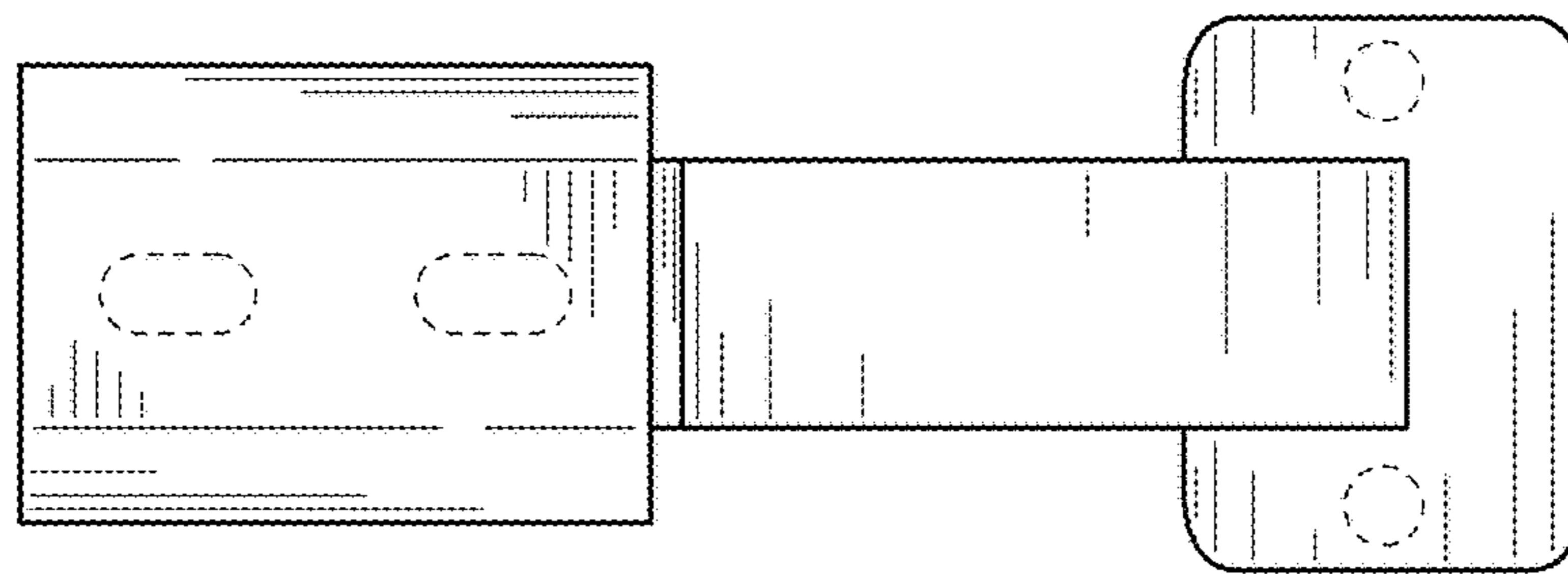


FIG. 10

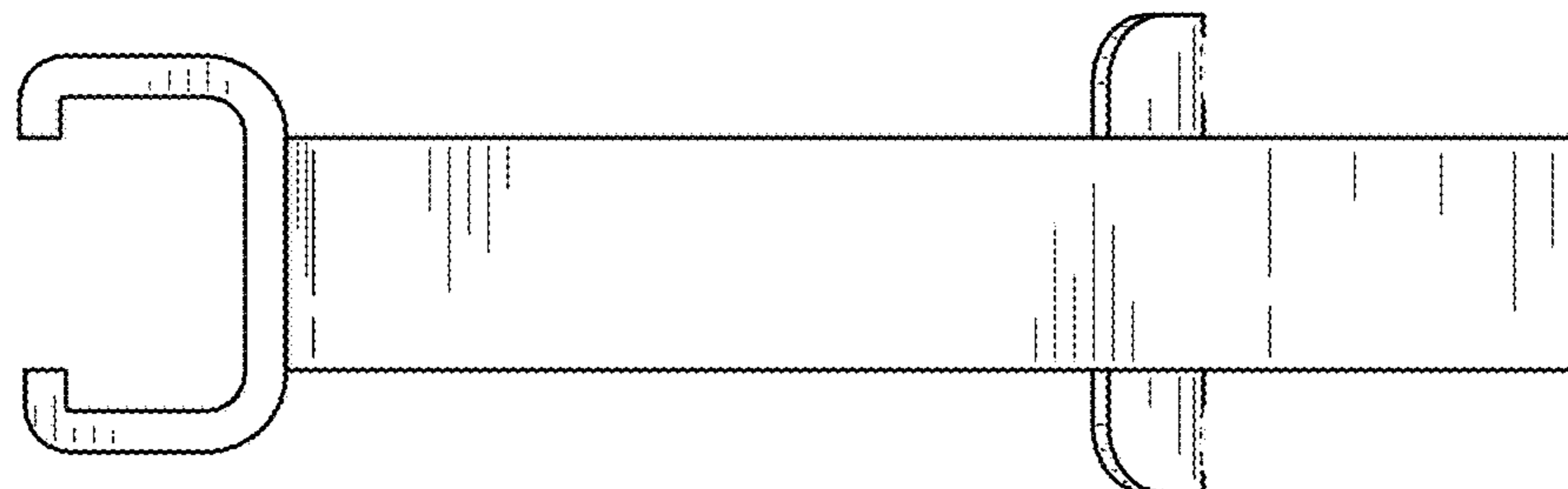


FIG. 11

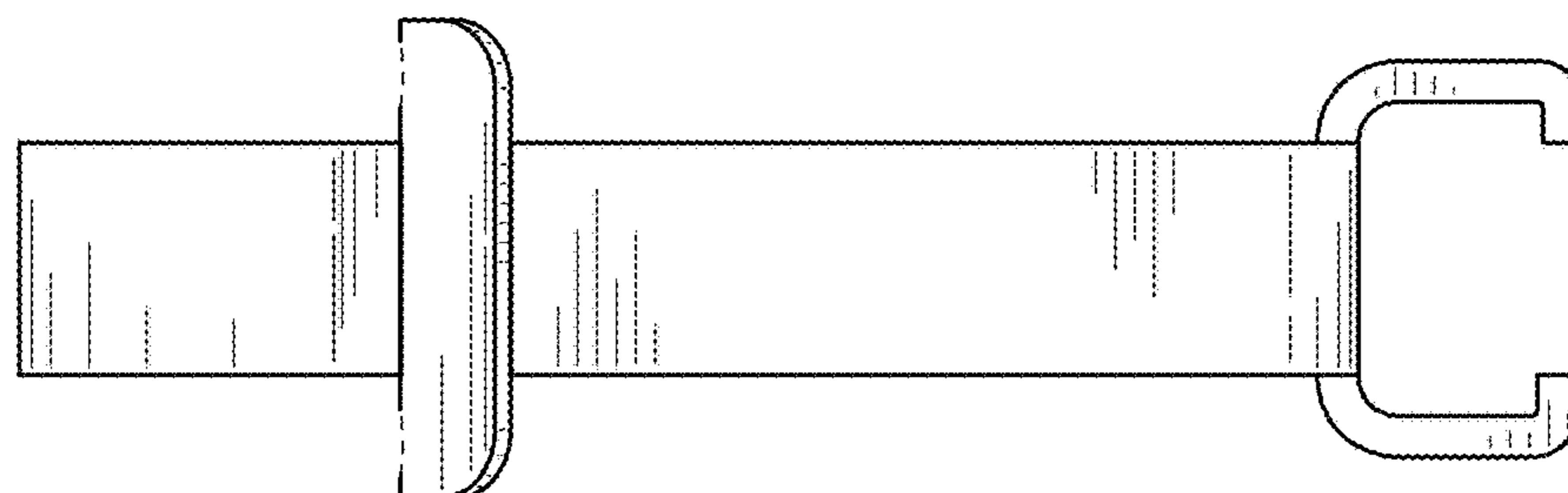


FIG. 12

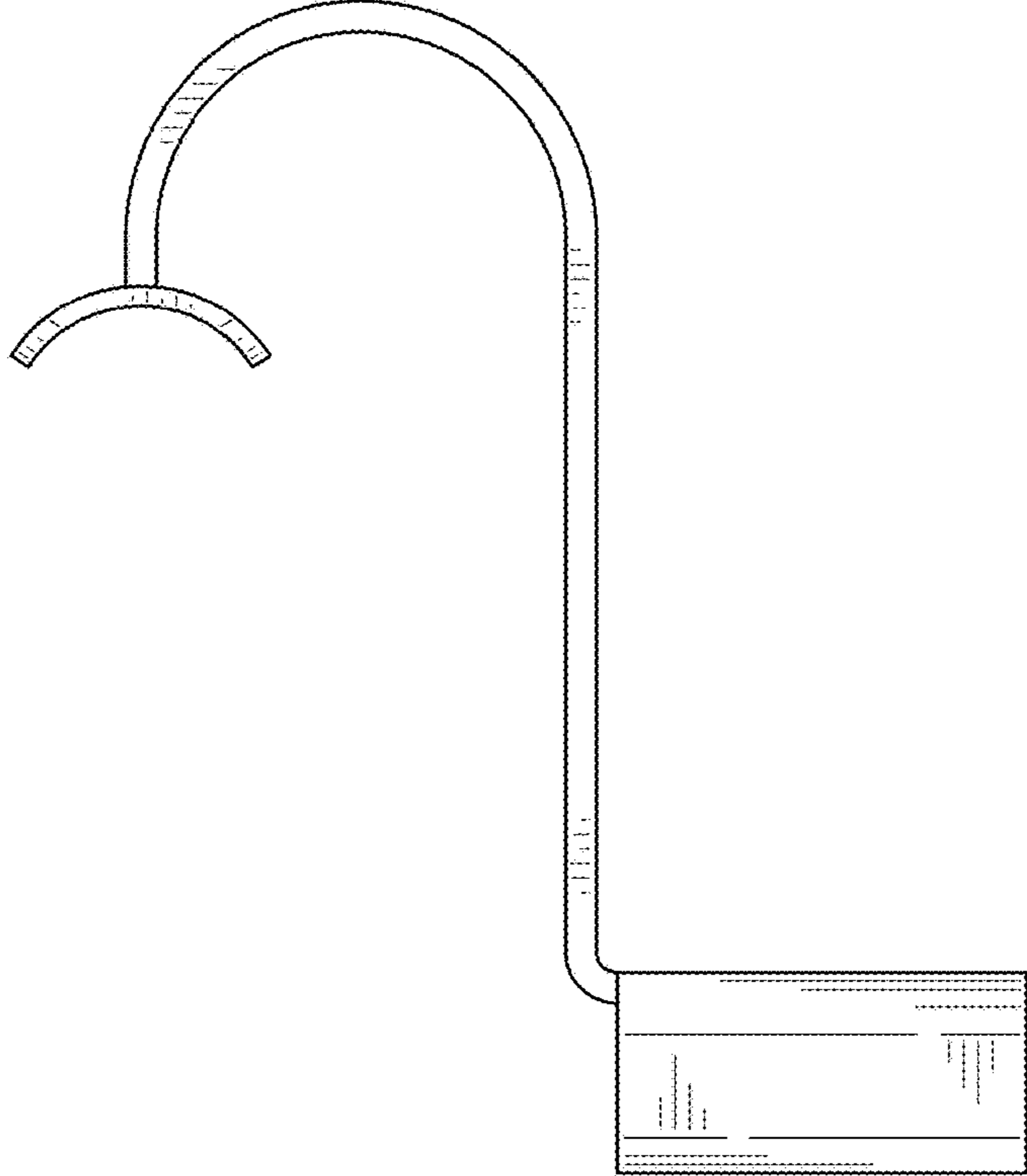


FIG. 13

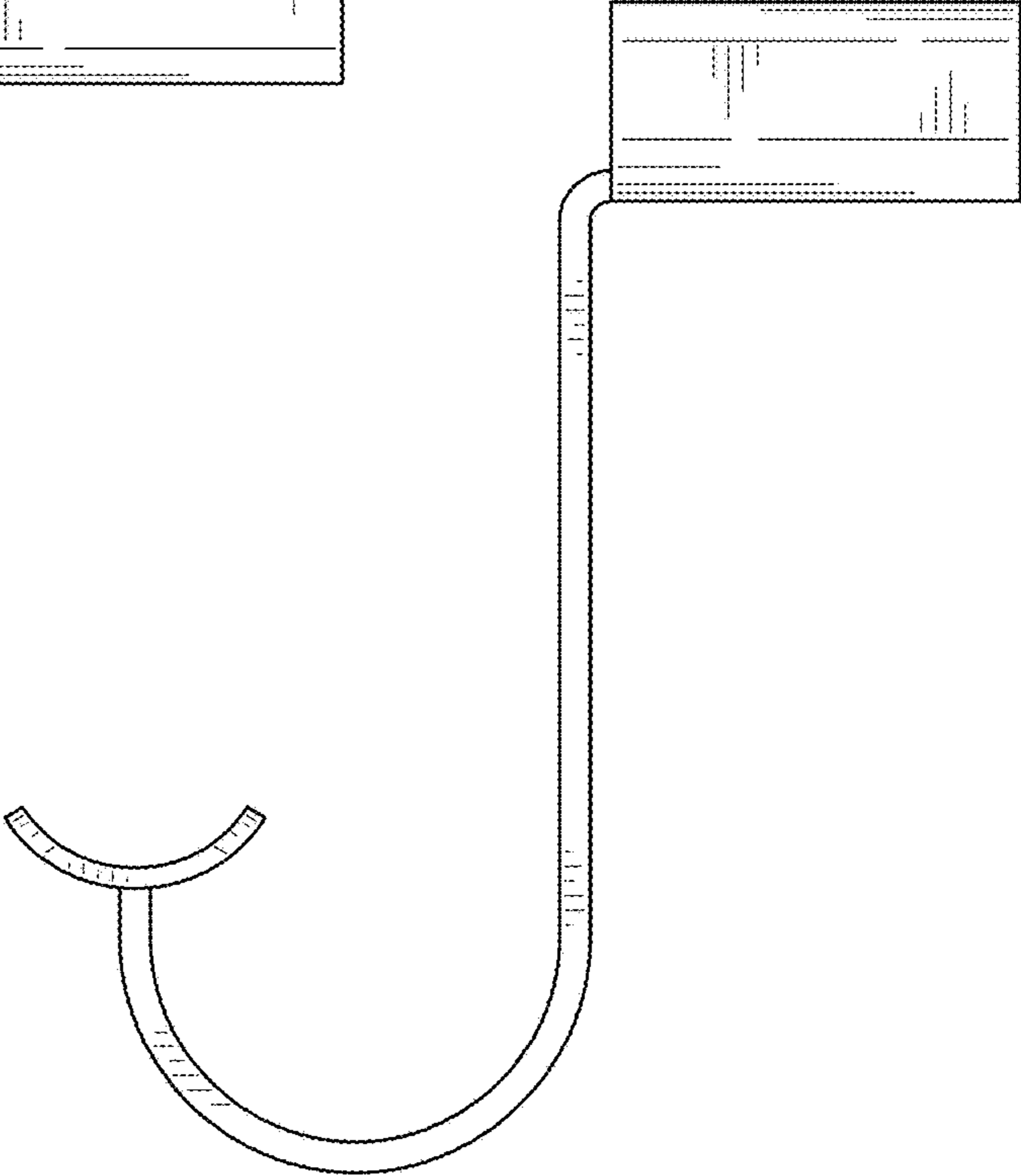


FIG. 14

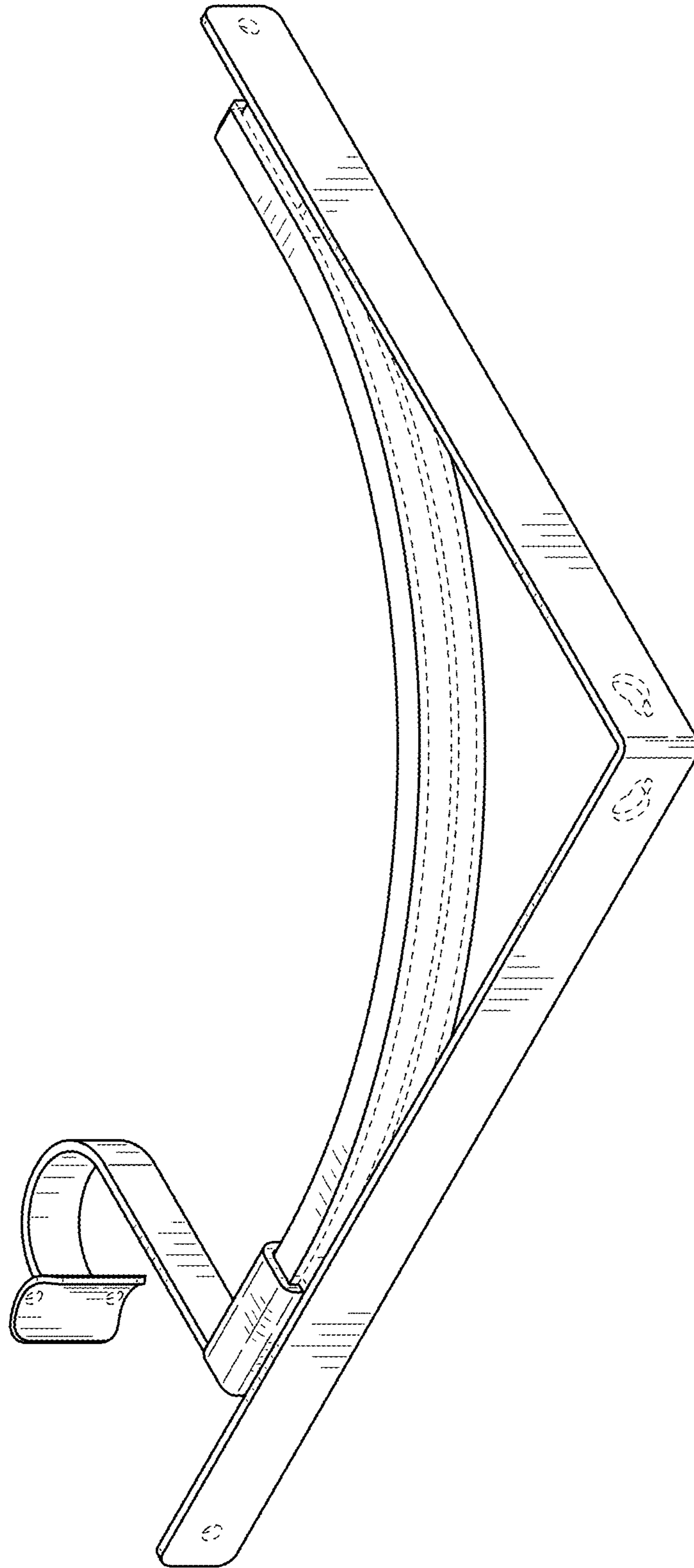


FIG. 15

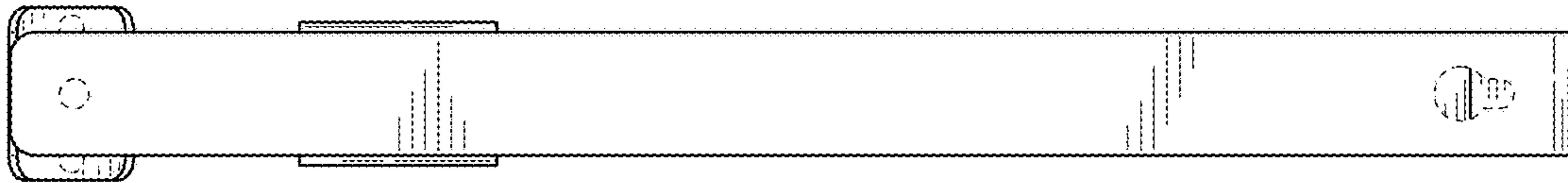


FIG. 16

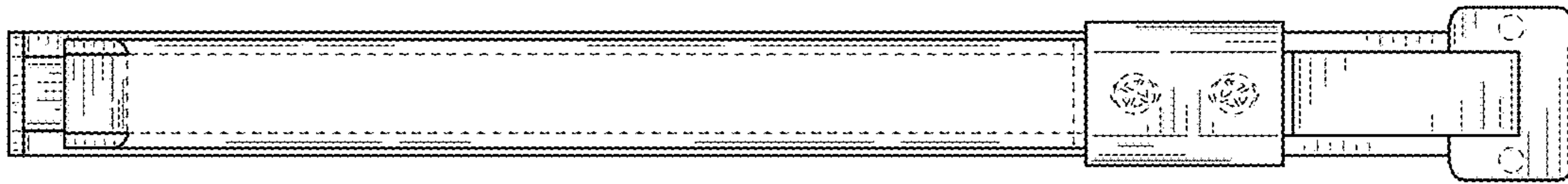


FIG. 17

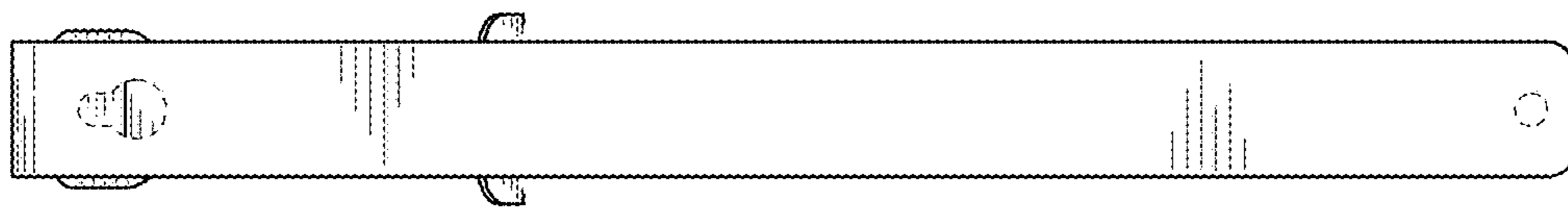


FIG. 18

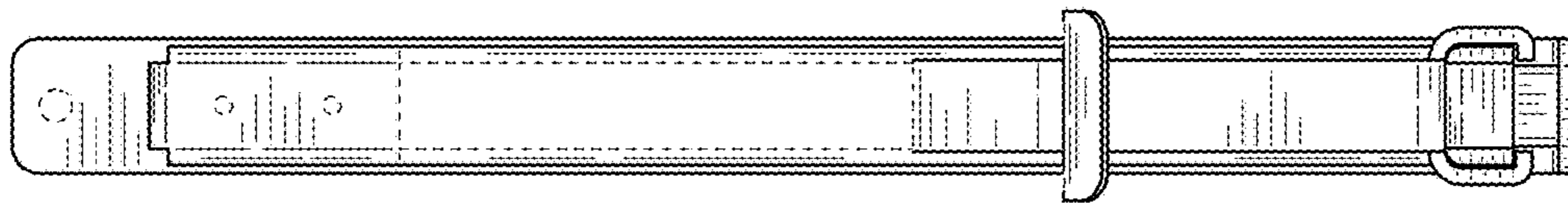


FIG. 19

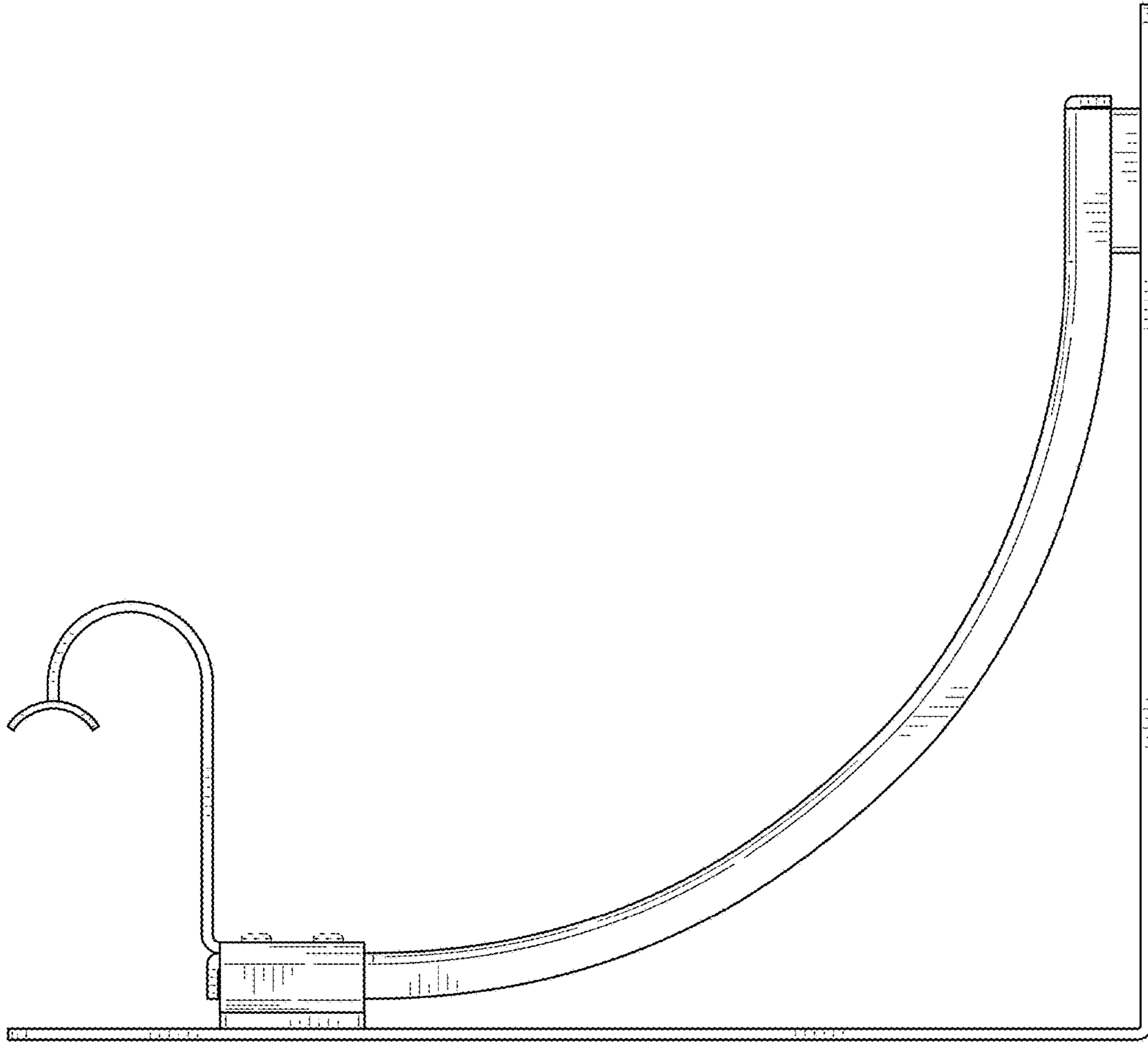


FIG. 20

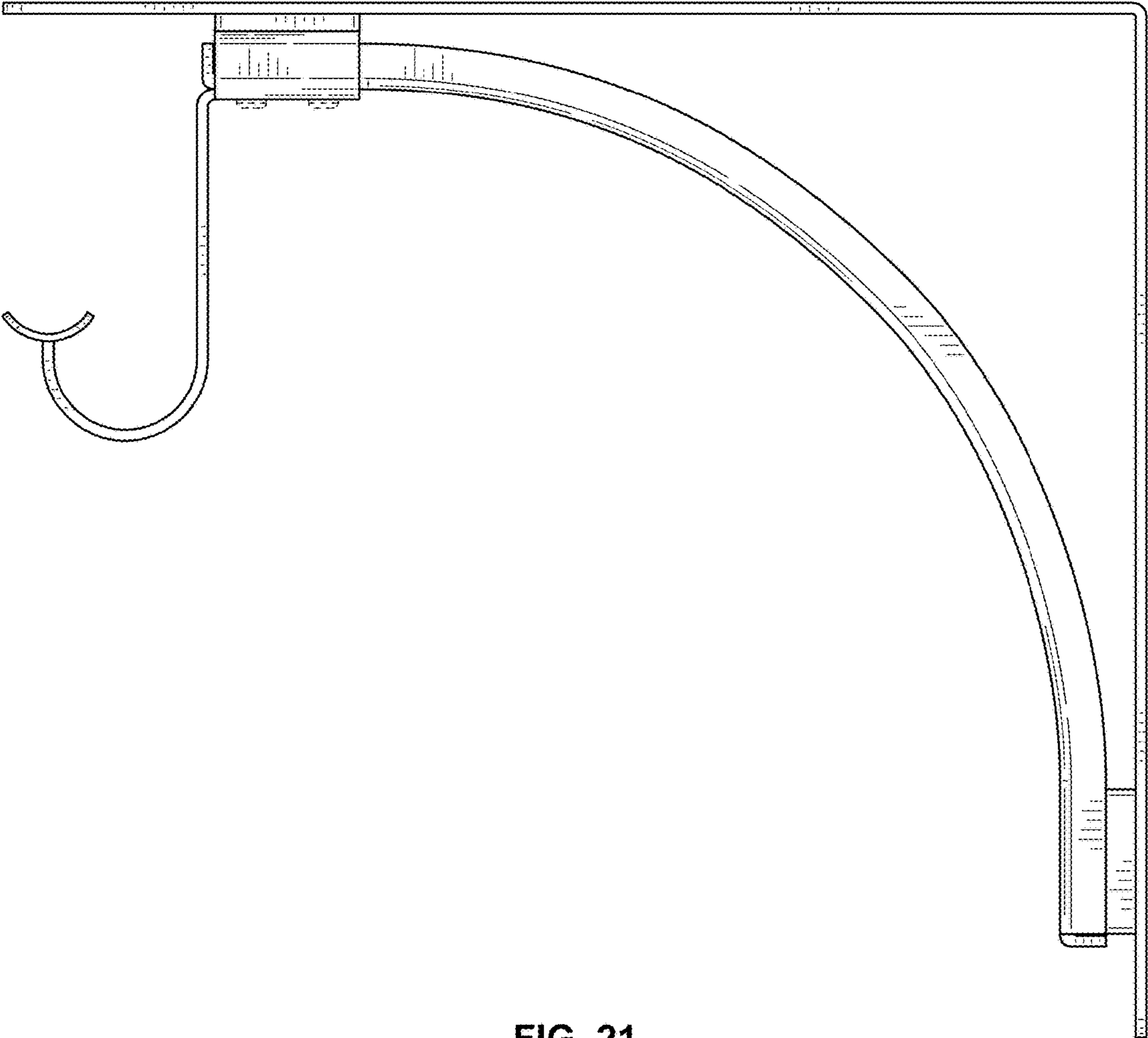


FIG. 21

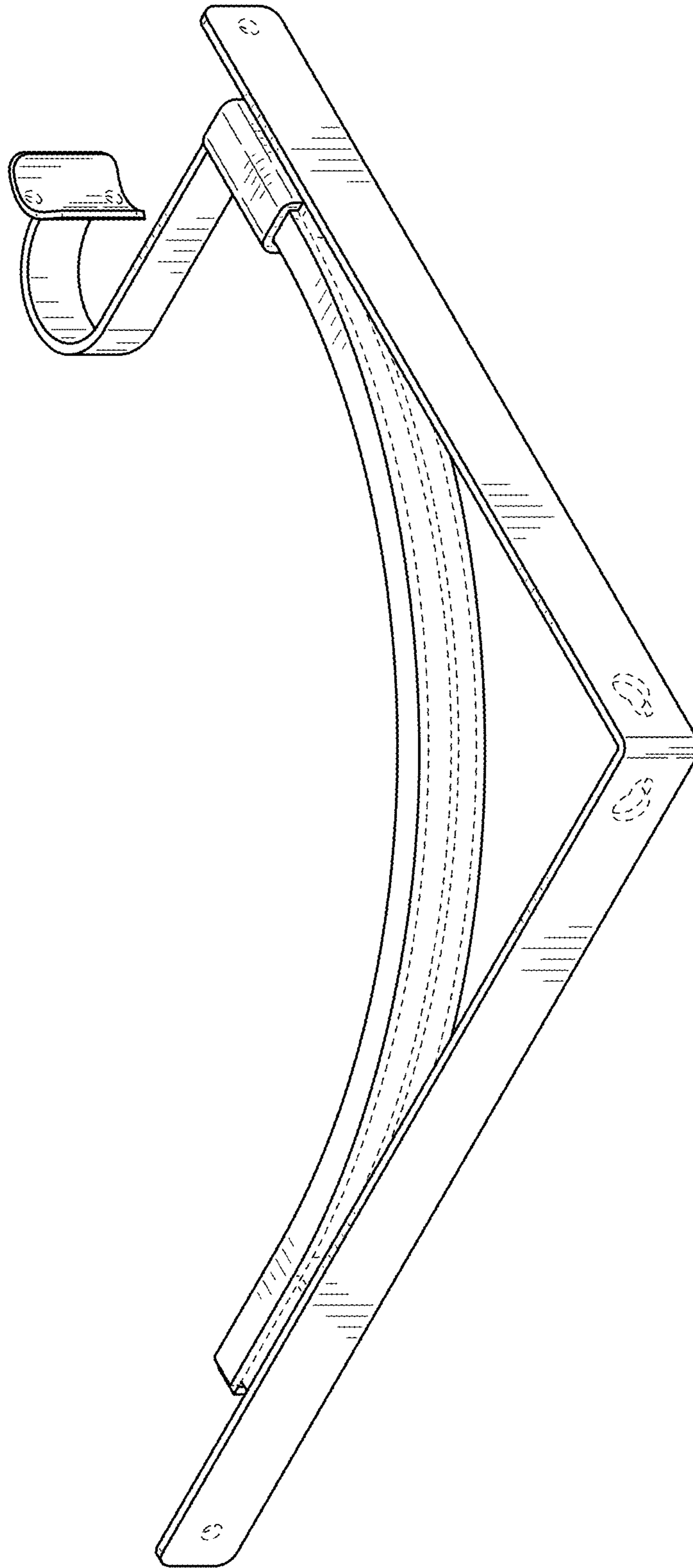


FIG. 22

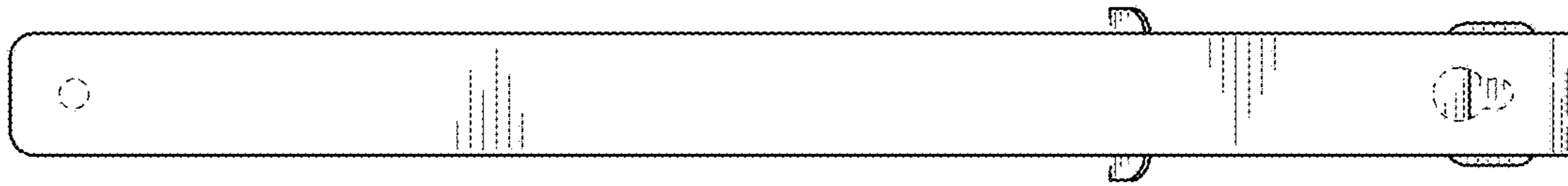


FIG. 23

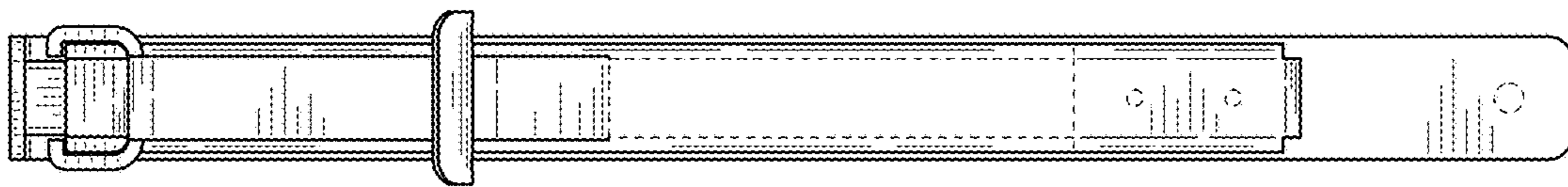


FIG. 24

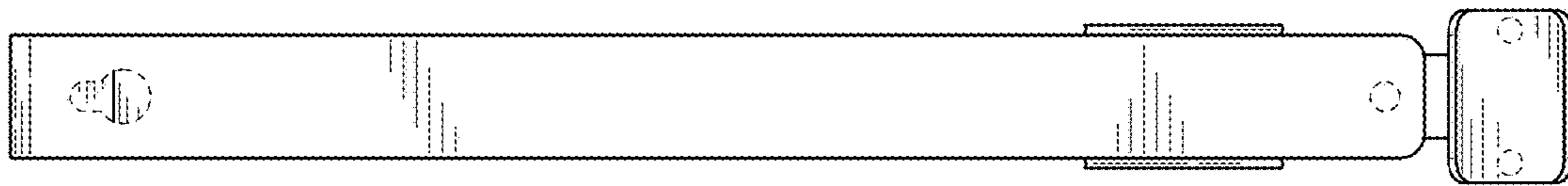


FIG. 25

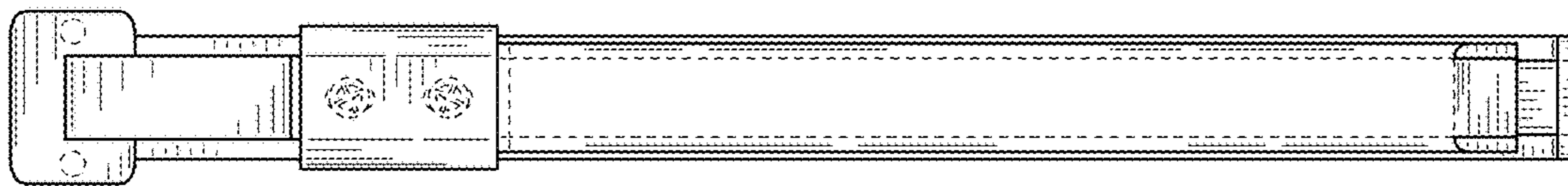


FIG. 26

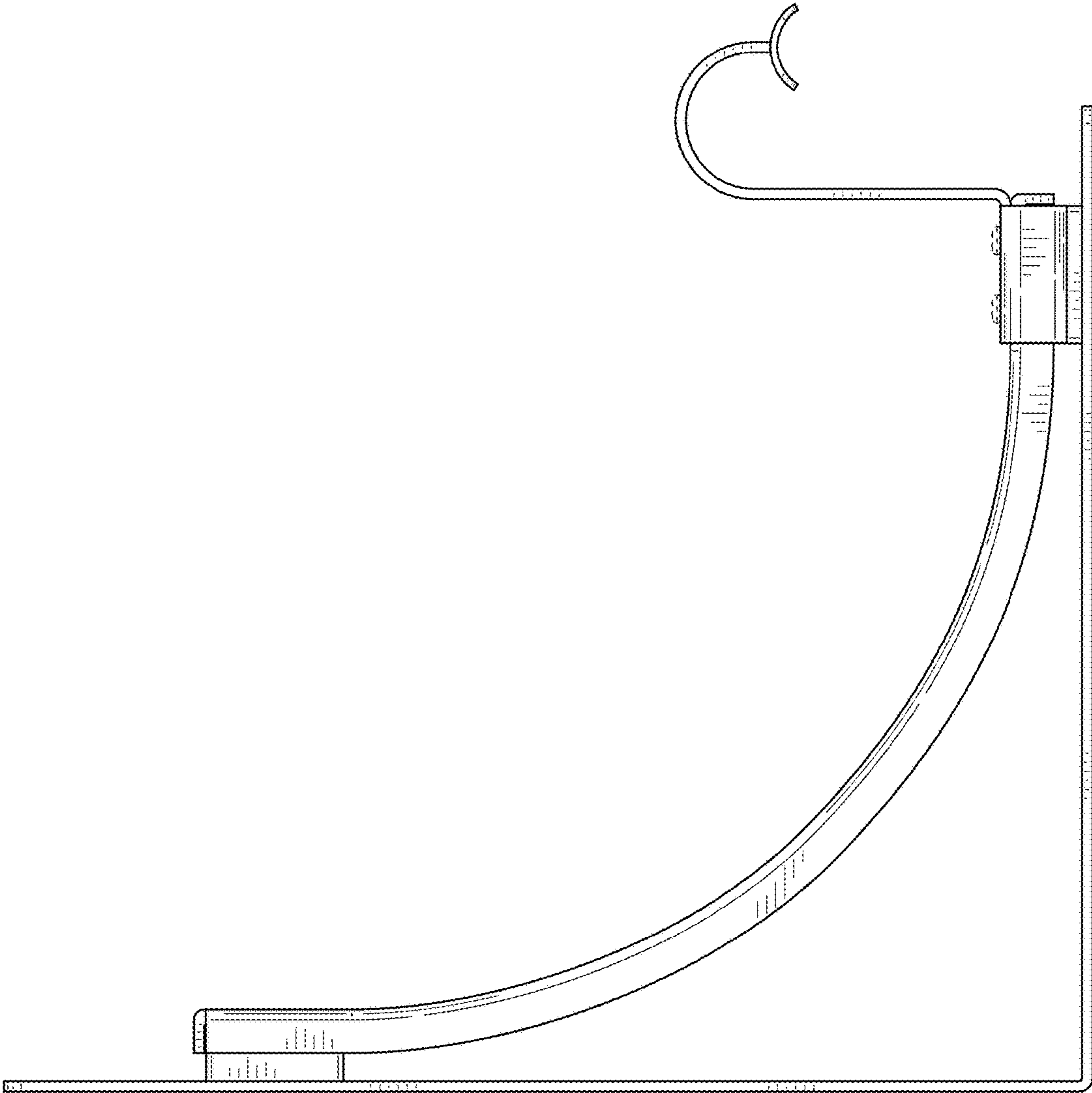


FIG. 27

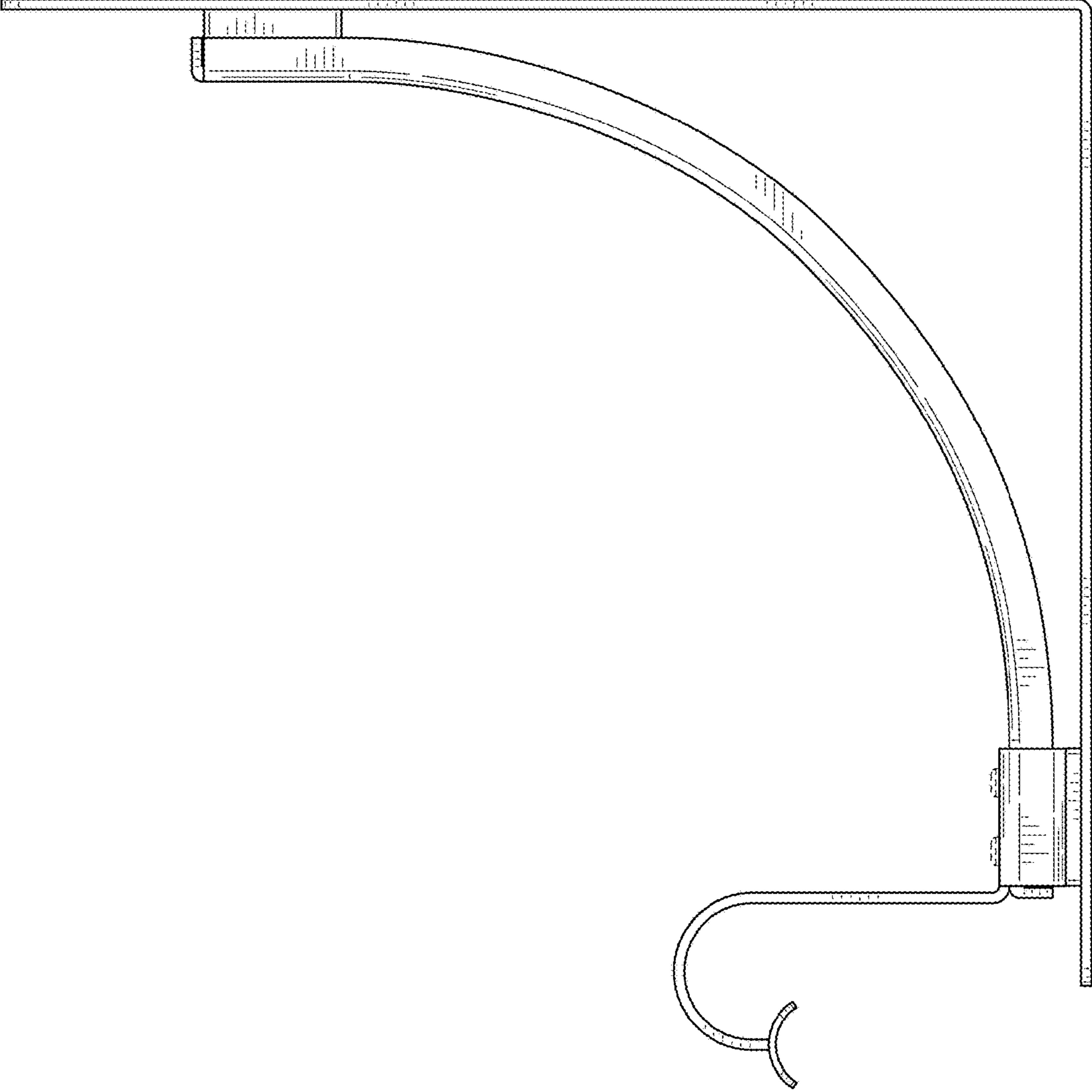


FIG. 28