



US00D831472S

(12) **United States Design Patent** (10) **Patent No.:** **US D831,472 S**
Chidichimo et al. (45) **Date of Patent:** **** Oct. 23, 2018**

(54) **DECORATIVE WALL HANGER** 8,591,159 B2 * 11/2013 Walther F16B 25/0015
411/187
(71) Applicants: **Anthony Chidichimo**, Homer Glen, IL 8,752,803 B2 * 6/2014 Goldberg B43M 15/00
(US); **Joshua Pierson**, Homer Glen, IL 248/201
(US) 9,541,357 B2 * 1/2017 Klement F42B 5/025
2006/0038100 A1 2/2006 Grieszmer
2007/0084375 A1 * 4/2007 Smith F42B 7/046
102/450
(72) Inventors: **Anthony Chidichimo**, Homer Glen, IL 2008/0128373 A1 6/2008 Chang
(US); **Joshua Pierson**, Homer Glen, IL 2008/0272257 A1 11/2008 Murphy
(US) 2010/0037794 A1 * 2/2010 Authement, Sr. F42B 7/046
102/459
(**) Term: **15 Years** 2013/0269170 A1 * 10/2013 Goldberg F16B 5/0275
29/525.02

(21) Appl. No.: **29/613,125**

(22) Filed: **Aug. 8, 2017**

(51) **LOC (11) Cl.** **08-05**

(52) **U.S. Cl.**
USPC **D8/380**

(58) **Field of Classification Search**
USPC D8/380, 373, 376, 384, 387; D22/115
CPC Y10T 24/3653; Y10T 29/49963
See application file for complete search history.

(56) **References Cited**

U.S. PATENT DOCUMENTS

1,365,508 A * 1/1921 Kucewicz F16B 35/06
211/123
D306,254 S * 2/1990 Kerr, Jr. 248/57
6,341,609 B1 1/2002 Morris
D652,474 S * 1/2012 Klement D22/115
D652,477 S 1/2012 Klement
8,528,245 B2 9/2013 Chvala

FOREIGN PATENT DOCUMENTS

WO 2003039304 A1 5/2003

* cited by examiner

Primary Examiner — Lakiya G Rogers
Assistant Examiner — Harold E Blackwell, II

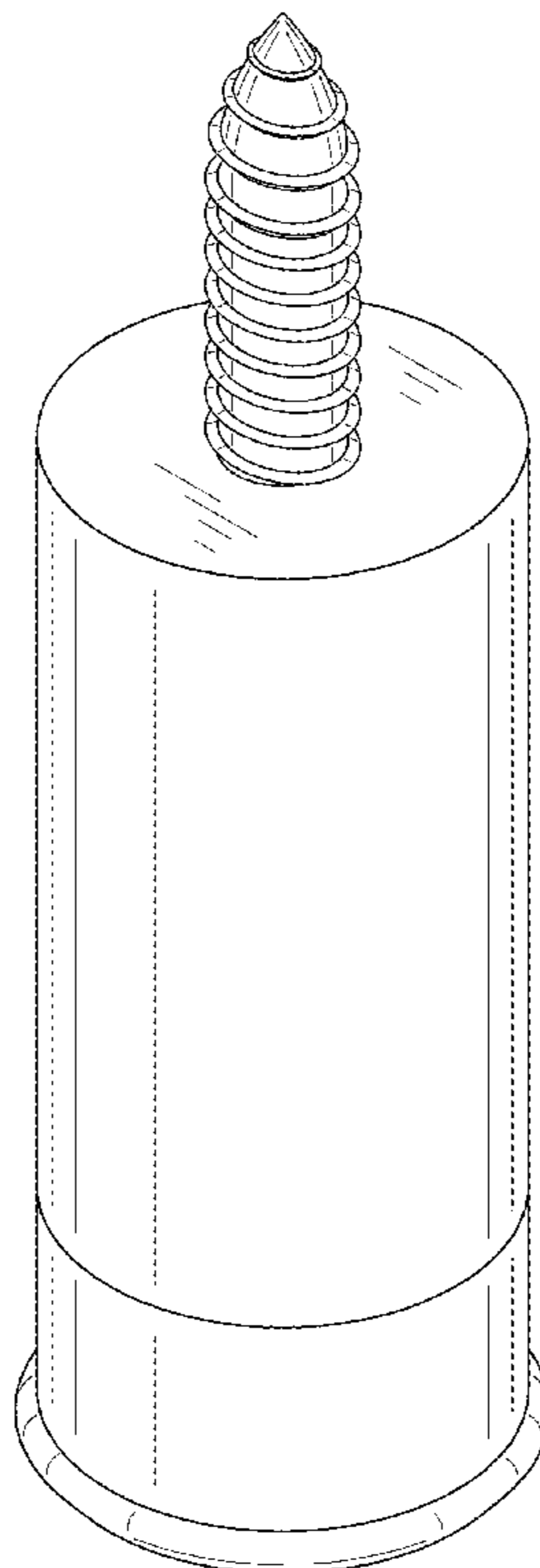
(57) **CLAIM**

We claim the ornamental design for a decorative wall hanger, as shown and described.

DESCRIPTION

FIG. 1 is a front view of the decorative wall hanger.
FIG. 2 is a top view of the claimed design.
FIG. 3 is a bottom view of the claimed design; and,
FIG. 4 is a perspective view of the claimed design.

1 Claim, 3 Drawing Sheets



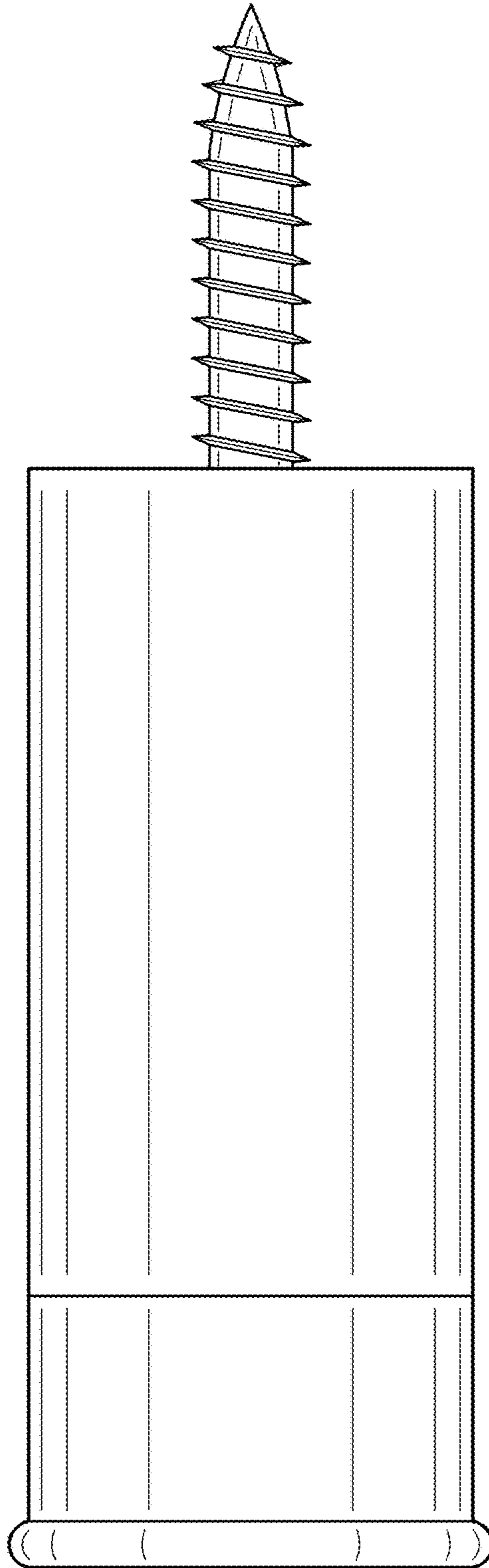


FIG. 1

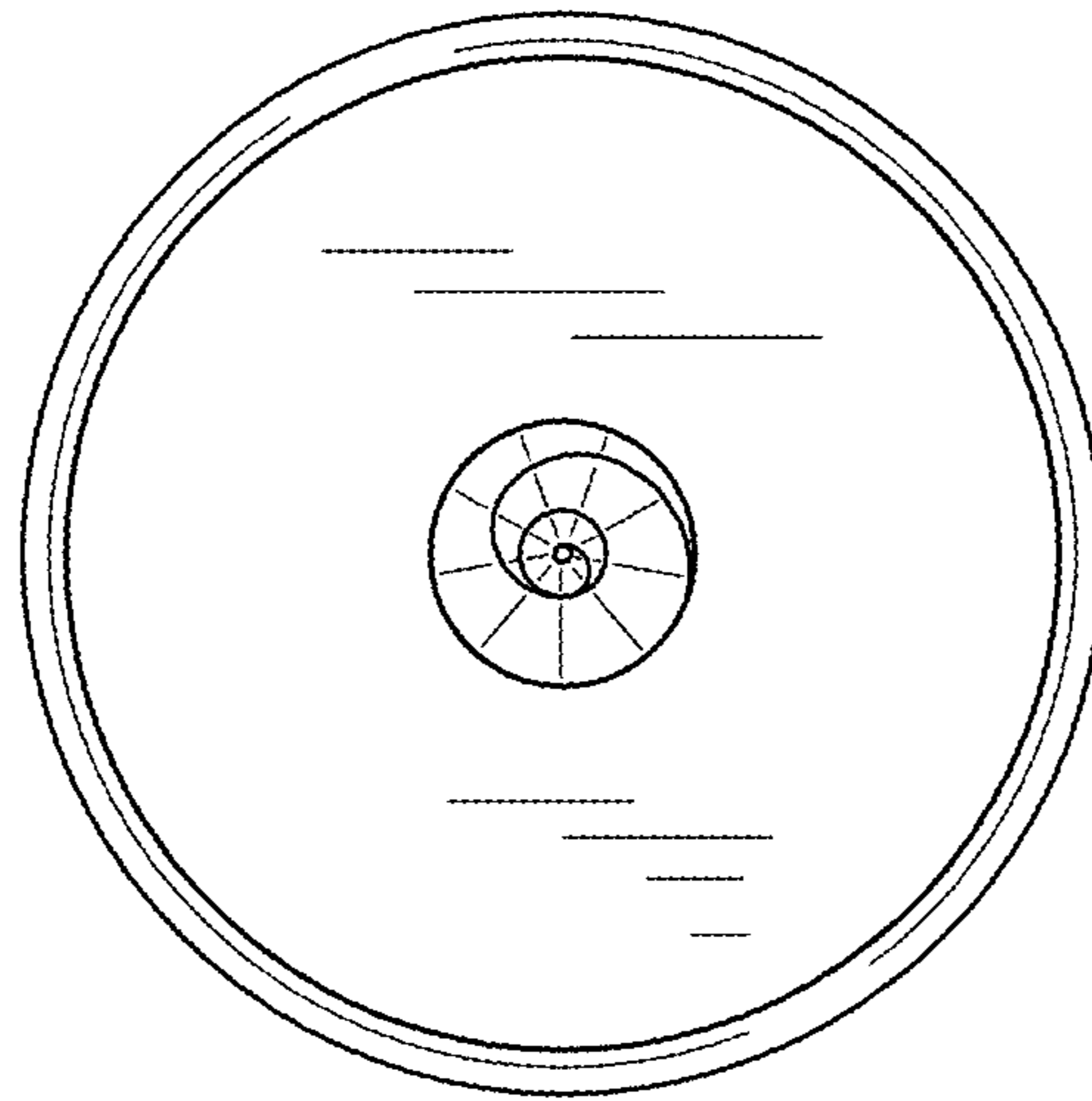


FIG. 2

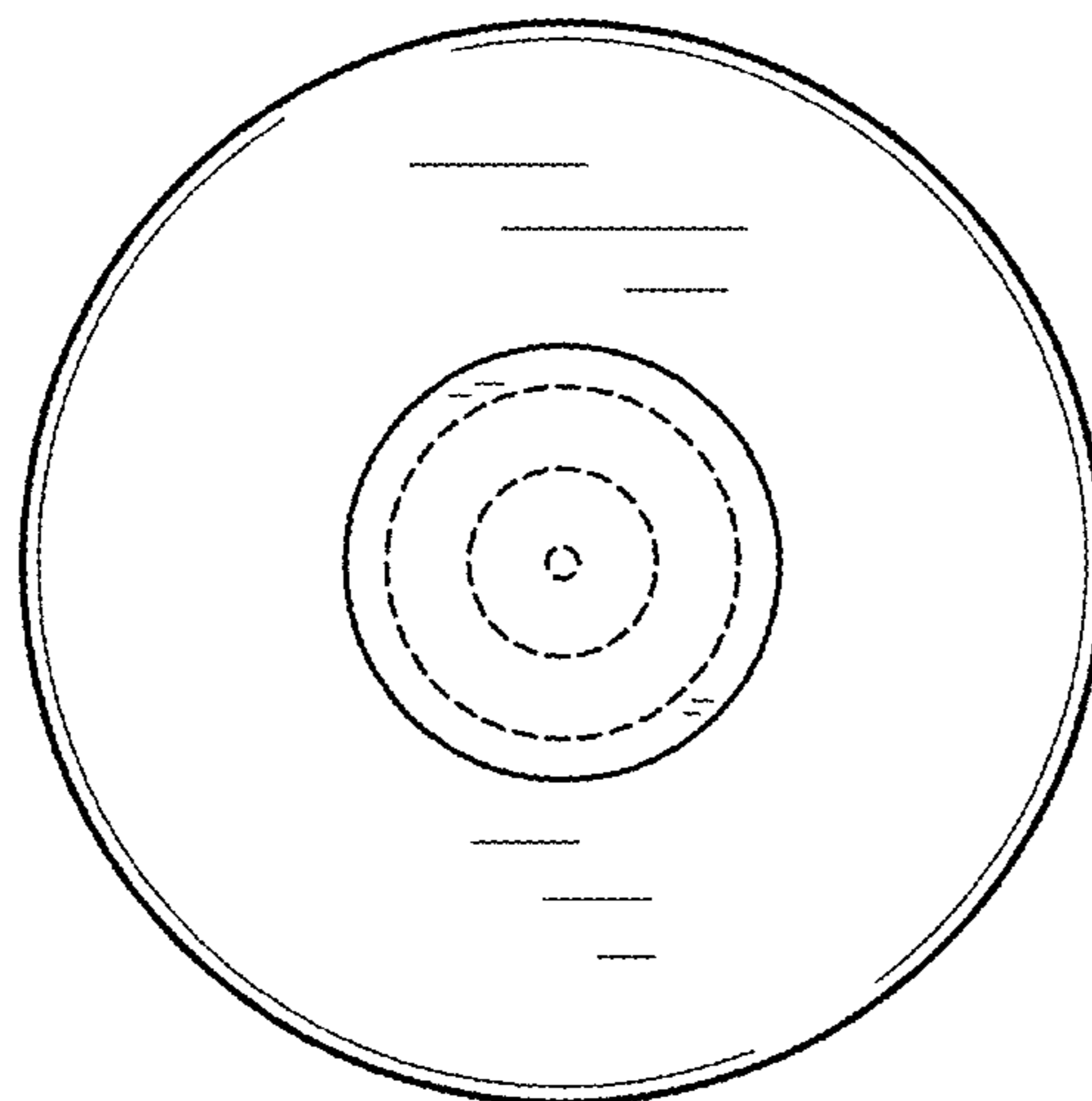


FIG. 3

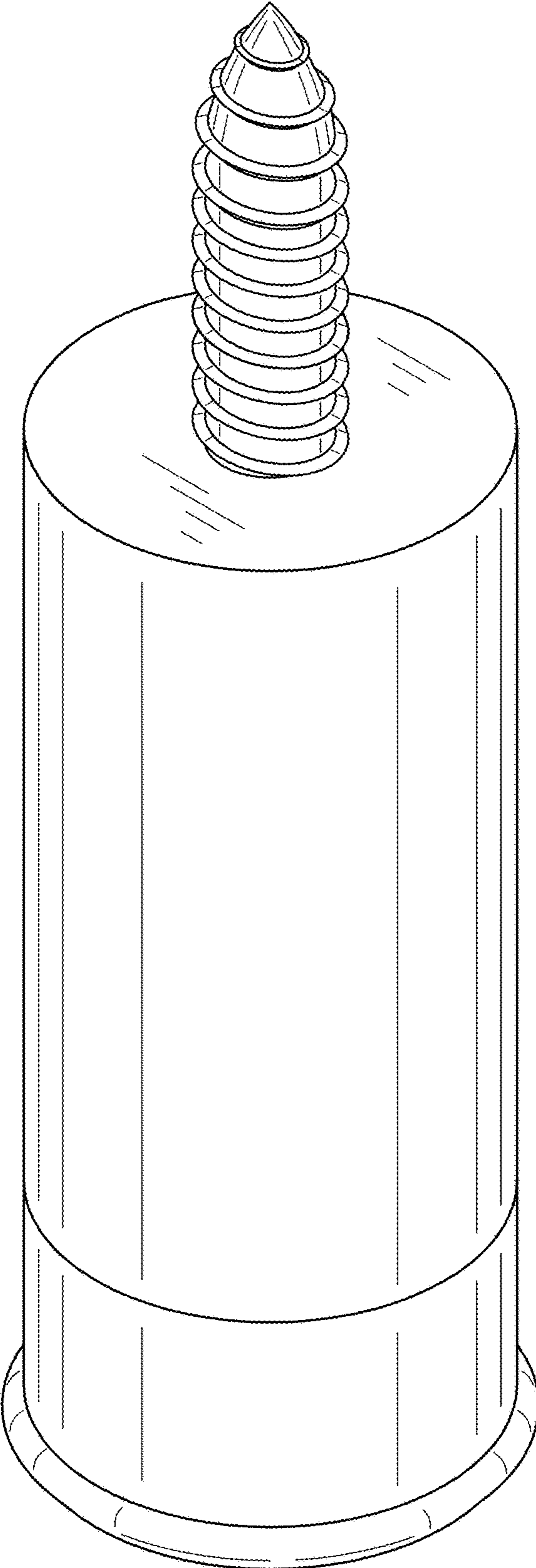


FIG. 4