

US00D831471S

(12) **United States Design Patent** (10) **Patent No.:** **US D831,471 S**
Kim et al. (45) **Date of Patent:** **** Oct. 23, 2018**

(54) **HOOK RAIL HOOK**
(71) Applicant: **THE HILLMAN GROUP, INC.,**
Cincinnati, OH (US)
(72) Inventors: **Hyunchul Kim**, Chicago, IL (US);
Holly Prouty, Chicago, IL (US)
(73) Assignee: **THE HILLMAN GROUP, INC.,**
Cincinnati, OH (US)
(**) Term: **15 Years**
(21) Appl. No.: **29/576,448**
(22) Filed: **Sep. 2, 2016**
(51) **LOC (11) Cl.** **08-05**
(52) **U.S. Cl.**
USPC **D8/367**
(58) **Field of Classification Search**
USPC D8/367, 354, 349, 372; 248/220.43,
248/220.42
CPC A47G 25/06; A47J 47/16
See application file for complete search history.

D442,056 S 5/2001 Duggan
D453,271 S 2/2002 Gilbert et al.
D456,150 S 4/2002 Moore
D462,844 S 9/2002 Chou
D465,096 S 11/2002 Ouyoung
D465,340 S 11/2002 Hoernig
D465,661 S 11/2002 Hoernig
D466,796 S * 12/2002 Lacey D8/372
D472,060 S 3/2003 Hoernig
D472,134 S * 3/2003 Goodman D8/367
D477,150 S 7/2003 Hoernig
D478,731 S 8/2003 Hoernig
D485,156 S 1/2004 Moore
D496,258 S 9/2004 Fields
D500,602 S 1/2005 Solowiej
D526,132 S 8/2006 Solowiej
D526,493 S 8/2006 Fields
D526,494 S 8/2006 Fields
D532,982 S 12/2006 Chang et al.
D535,110 S 1/2007 Hoernig

(Continued)

Primary Examiner — Cynthia R Underwood
(74) *Attorney, Agent, or Firm* — Thompson Hine LLP

(57) **CLAIM**

The ornamental design for a hook rail hook, as shown and described.

(56) **References Cited**

U.S. PATENT DOCUMENTS

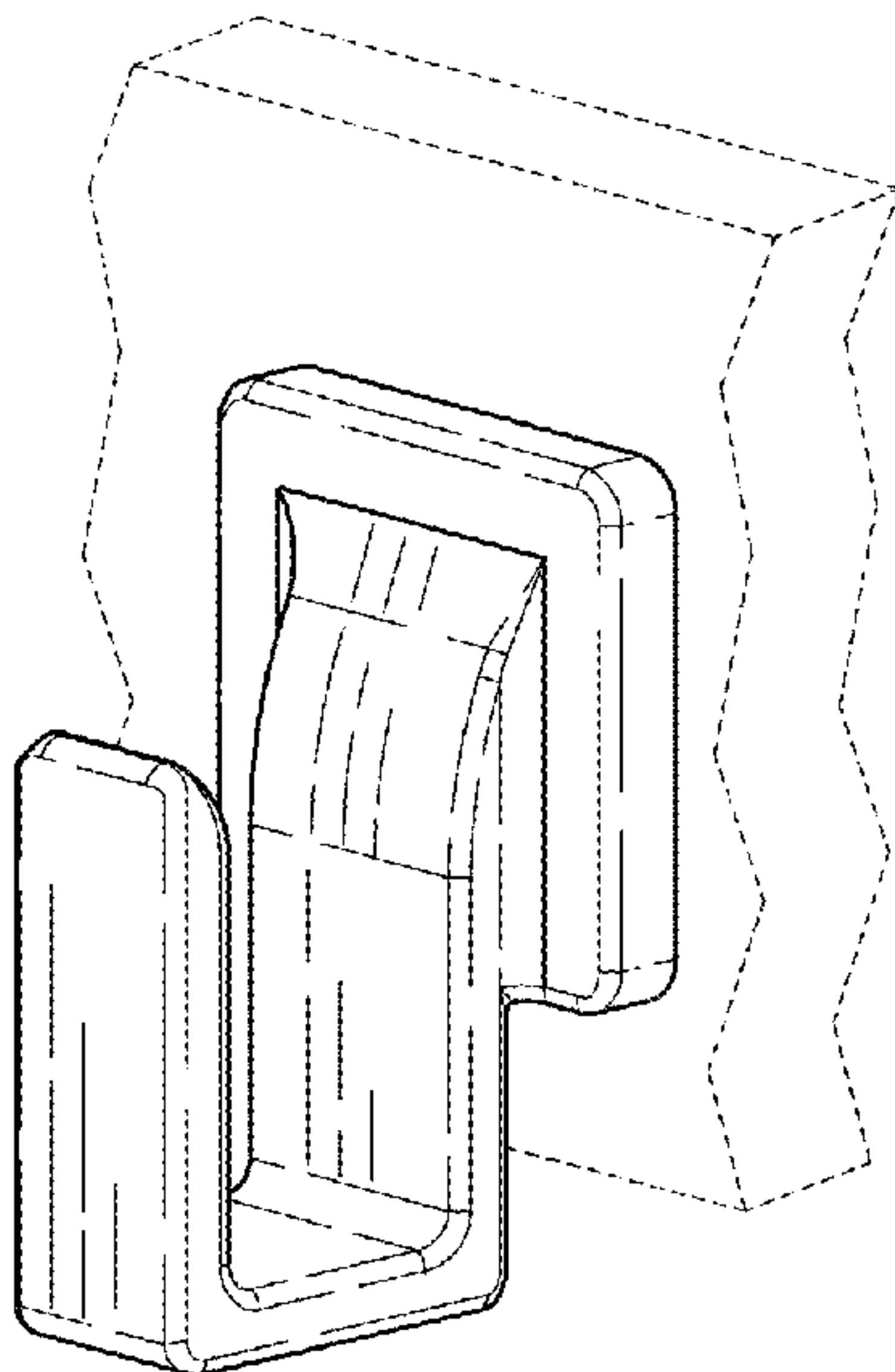
D275,629 S * 9/1984 Einhorn D8/372
D325,131 S 4/1992 Fujiwara
D330,289 S 10/1992 Sharpe
D330,636 S 11/1992 Sharpe
D390,709 S 2/1998 Moore
D397,256 S 8/1998 Moore et al.
D398,451 S 9/1998 Sharpe
D416,139 S 11/1999 Roth et al.
D426,390 S 6/2000 Green et al.
D432,316 S 10/2000 Duggan
D435,971 S 1/2001 Solowiej
D435,972 S 1/2001 Moore
D436,452 S 1/2001 Gastelum et al.
D438,715 S 3/2001 Milrud et al.

DESCRIPTION

FIG. 1 is a perspective view of a hook rail hook;
FIG. 2 is front elevation thereof;
FIG. 3 is a top view thereof;
FIG. 4 is a bottom view thereof;
FIG. 5 is one side view thereof; and,
FIG. 6 is another side view thereof.

The dash broken lines shown in the drawings are for purposes of illustrating portions of the hook rail that form no part of the claimed design. The rear portion of the hook is not visible during ordinary use and forms no part of the claimed design.

1 Claim, 2 Drawing Sheets



(56)

References Cited

U.S. PATENT DOCUMENTS

D542,038	S	5/2007	Tau	
D543,709	S	6/2007	Krumpe et al.	
D548,983	S	8/2007	Krumpe	
D563,109	S	3/2008	Krumpe et al.	
D568,621	S	5/2008	Krumpe et al.	
D570,613	S	6/2008	Ricereto	
D573,357	S	7/2008	Bickler et al.	
D578,779	S	10/2008	Lee et al.	
D580,186	S	11/2008	Krumpe et al.	
D607,650	S	1/2010	Krumpe	
D608,100	S	1/2010	Yoo	
D630,027	S	1/2011	Romero	
D668,935	S	10/2012	Yoo	
D672,974	S	12/2012	Krumpe	
8,459,472	B2 *	6/2013	Hofman	A47F 5/0815 211/106.01
D692,244	S	10/2013	Romero et al.	
8,602,228	B1 *	12/2013	Martinez	A47F 5/0093 211/100
D697,388	S *	1/2014	Pan	D8/367
D706,614	S *	6/2014	Schraufnagel	D8/372
D707,542	S *	6/2014	Goodman	D8/372
D720,937	S	1/2015	Fritz	
D750,390	S	3/2016	Bahler	
D751,372	S *	3/2016	Thompson	D8/372
D759,469	S	6/2016	Garland	
D769,004	S	10/2016	Bahler	
D798,694	S *	10/2017	Shoenhair	D8/367
D805,373	S *	12/2017	Shoenhair	D8/367
D808,780	S *	1/2018	Kim	D8/367
D809,371	S *	2/2018	Forrest	D8/372
D810,550	S *	2/2018	Haynie	D8/372
D818,353	S *	5/2018	Sacks	D8/367
2018/0038407	A1 *	2/2018	Matthews	F16B 45/00

* cited by examiner

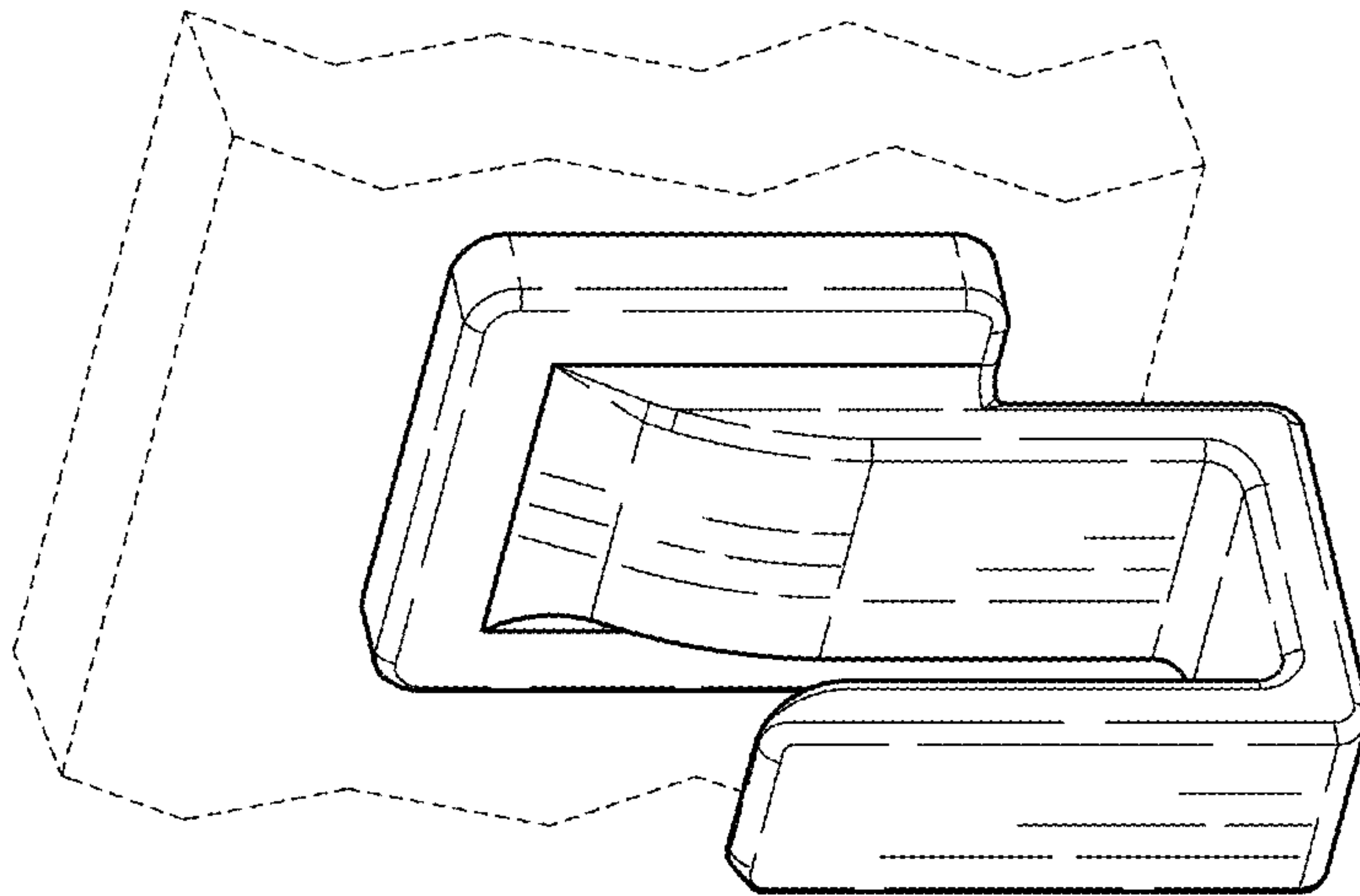


Fig. 1

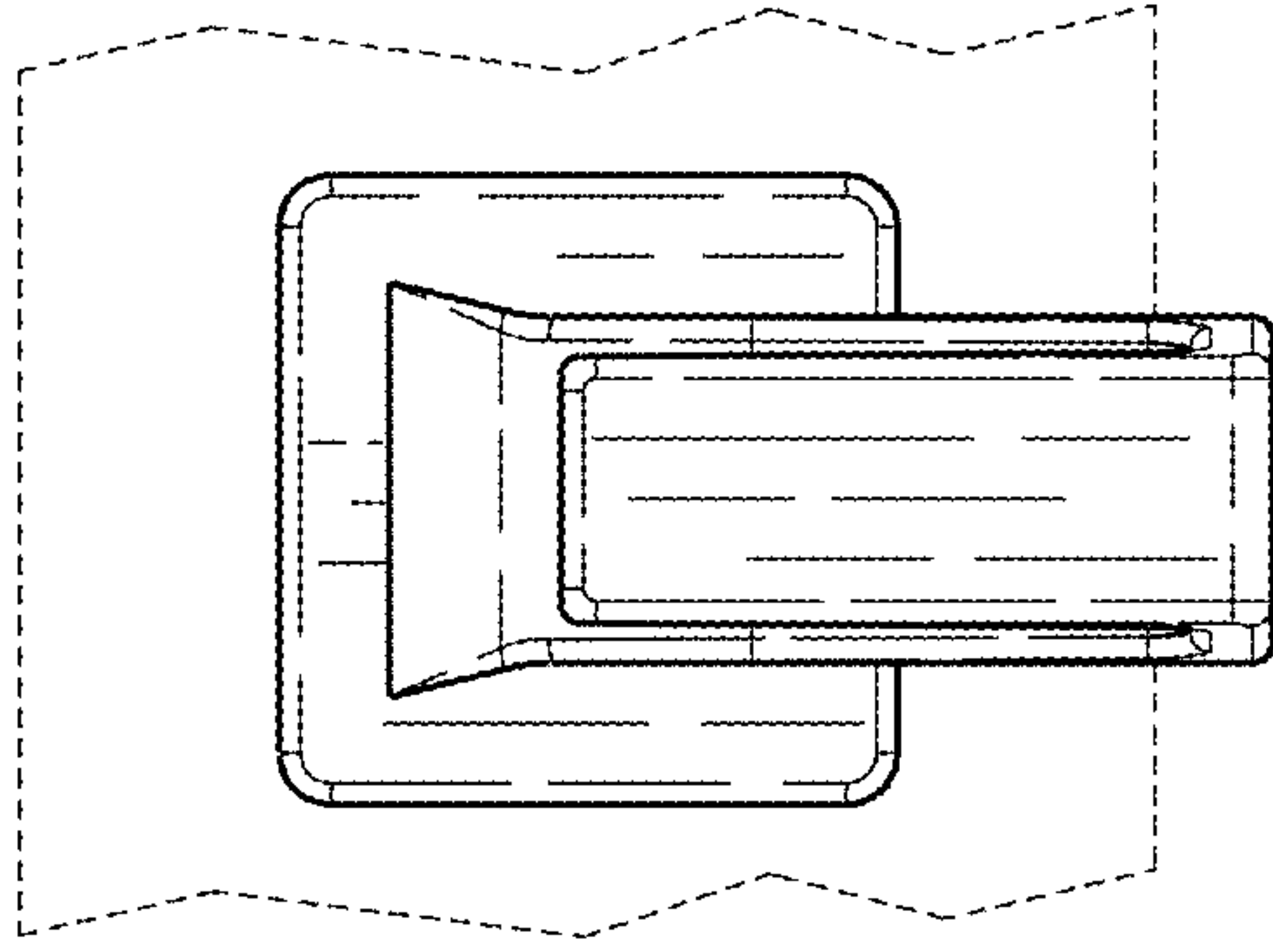


Fig. 2

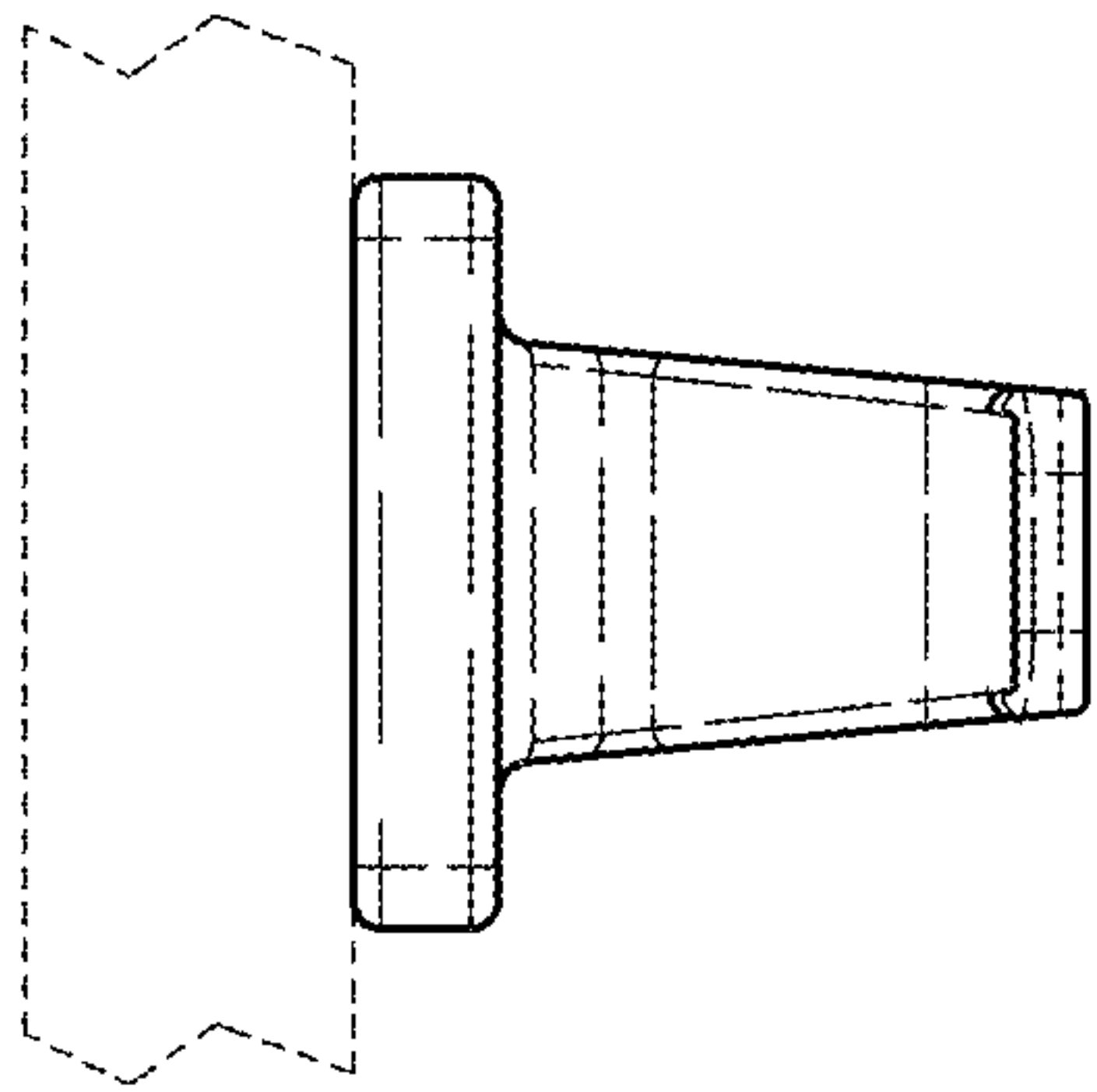


Fig. 3

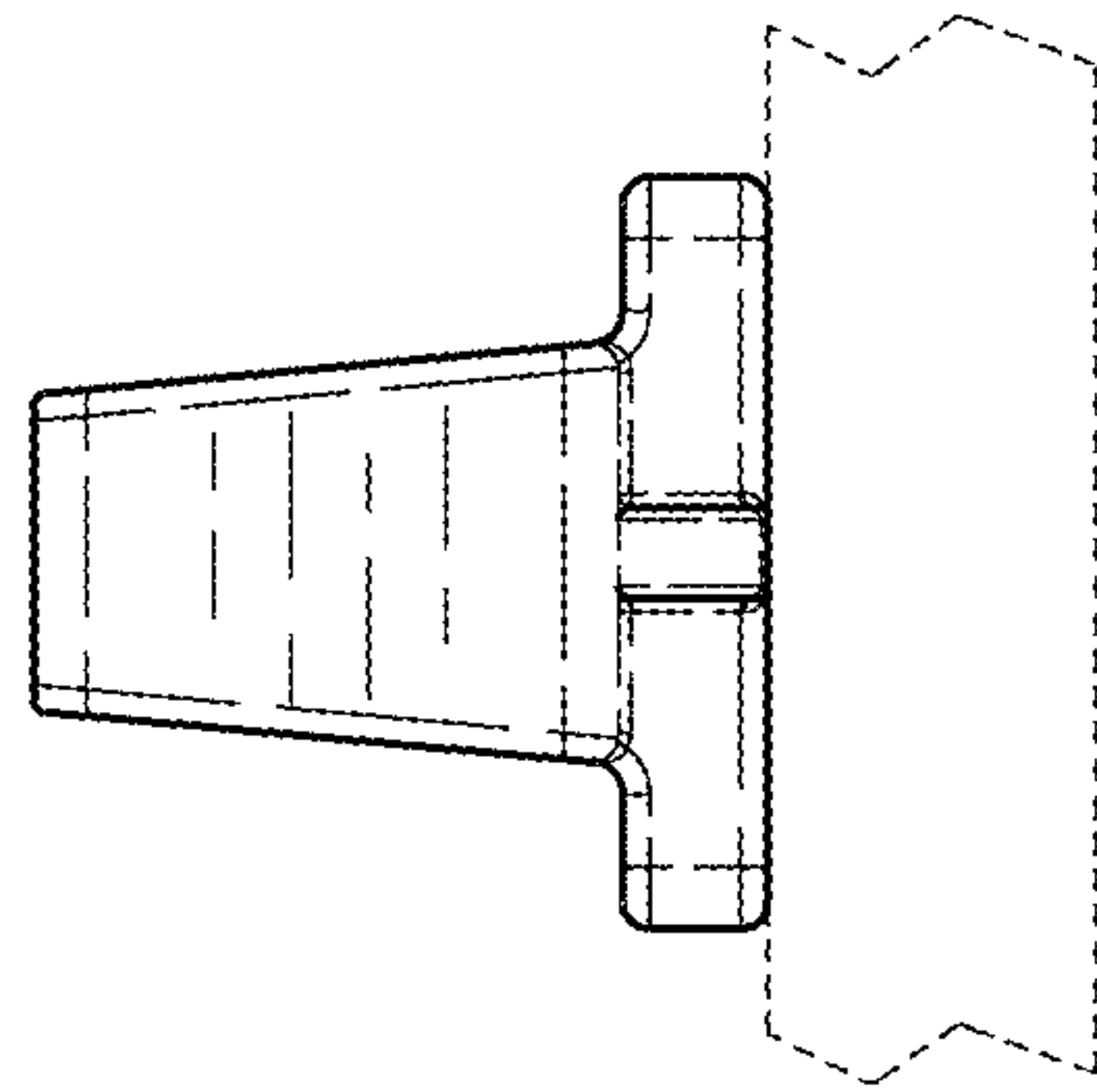


Fig. 4

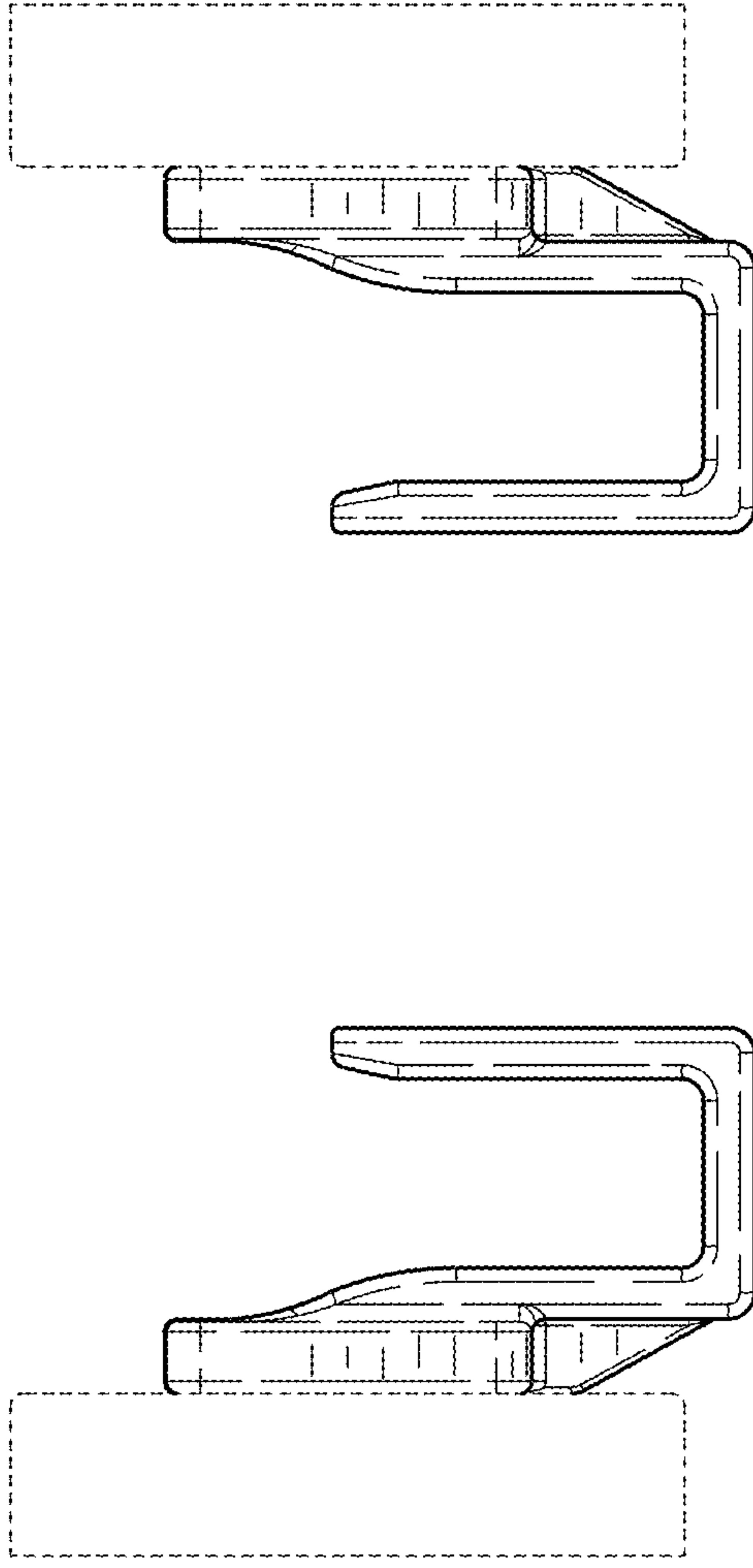


Fig. 5

Fig. 6