



US00D831470S

(12) **United States Design Patent** (10) **Patent No.:** **US D831,470 S**
Russell et al. (45) **Date of Patent:** **** Oct. 23, 2018**

(54) **ROPE SHACKLE ATTACHMENT THIMBLE**

D752,955 S * 4/2016 Rowan D8/356
D763,060 S * 8/2016 Rimmel D8/349
D786,048 S * 5/2017 Grewal H04R 1/1033
D8/356

(71) Applicant: **Omix-Ada, Inc.**, Suwanee, GA (US)

(72) Inventors: **Eric Russell**, Lilburn, GA (US);
Patrick W. Bennett, Gainesville, GA (US)

D808,778 S * 1/2018 Smeja D8/356
2004/0194259 A1 10/2004 Tylaska et al.
2012/0280523 A1 11/2012 Costa
2015/0194829 A1* 7/2015 Smeja H02J 7/0042
320/107

(73) Assignee: **OMIX-ADA, INC.**, Suwanee, GA (US)

(**) Term: **15 Years**

(21) Appl. No.: **29/634,406**

(22) Filed: **Jan. 22, 2018**

Related U.S. Application Data

(63) Continuation of application No. 15/798,000, filed on Oct. 30, 2017.

(51) **LOC (11) Cl.** **09-06**

(52) **U.S. Cl.**
USPC **D8/356**

(58) **Field of Classification Search**
USPC D8/367, 356, 354, 349; 24/115 R
CPC B65H 57/16; B63B 21/045; B60D 1/187
See application file for complete search history.

(56) **References Cited**

U.S. PATENT DOCUMENTS

2,561,371 A 7/1951 Hill
6,158,760 A 12/2000 Kiss
D648,685 S * 11/2011 Symons D13/155
8,205,922 B1 6/2012 Ohman, Jr.
8,322,003 B2 12/2012 Petzel et al.
8,328,223 B2 12/2012 Leinenger
D679,581 S * 4/2013 Liu D8/395
8,602,370 B2* 12/2013 McKenzie A47G 25/1464
248/215
D698,229 S * 1/2014 Chance D13/156
D708,052 S * 7/2014 Symons D8/394
8,966,717 B2* 3/2015 Chen E06B 9/326
160/178.1 R

OTHER PUBLICATIONS

Photos 1-4.

* cited by examiner

Primary Examiner — Cynthia R Underwood
(74) *Attorney, Agent, or Firm* — The Dobrusin Law Firm, P.C.; Daniel P. Aleksynas

(57) **CLAIM**

The ornamental design for a rope shackle attachment thimble, as shown and described.

DESCRIPTION

FIG. 1 is a left front perspective view of a rope shackle attachment thimble showing our new design.
FIG. 2 is a left side elevational view thereof, the right side elevational view being a mirror image of the left side elevational view.
FIG. 3 is a front elevational view thereof, the rear elevational view being the same as the front elevational view.
FIG. 4 is a top plan view thereof, the bottom plan view being the same as the top plan view; and,
FIG. 5 is a cross-sectional view thereof taken along line 5-5 of FIG. 4 illustrating better the shape of the central core of the rope shackle attachment thimble.
Internal structure shown with cross hatching in FIG. 4 is illustrative only and forms no part of the claimed design.

1 Claim, 2 Drawing Sheets

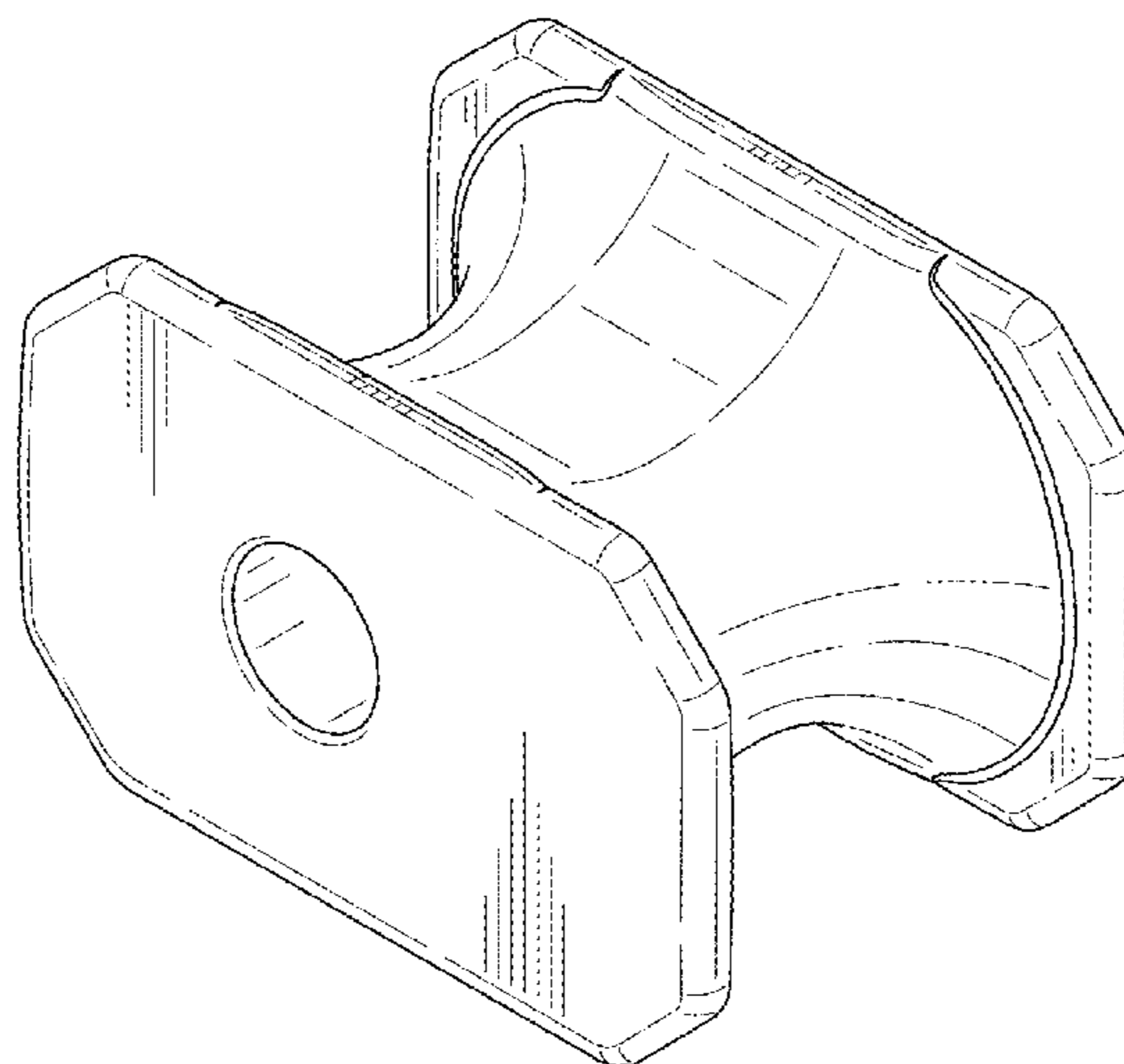


FIG. 1

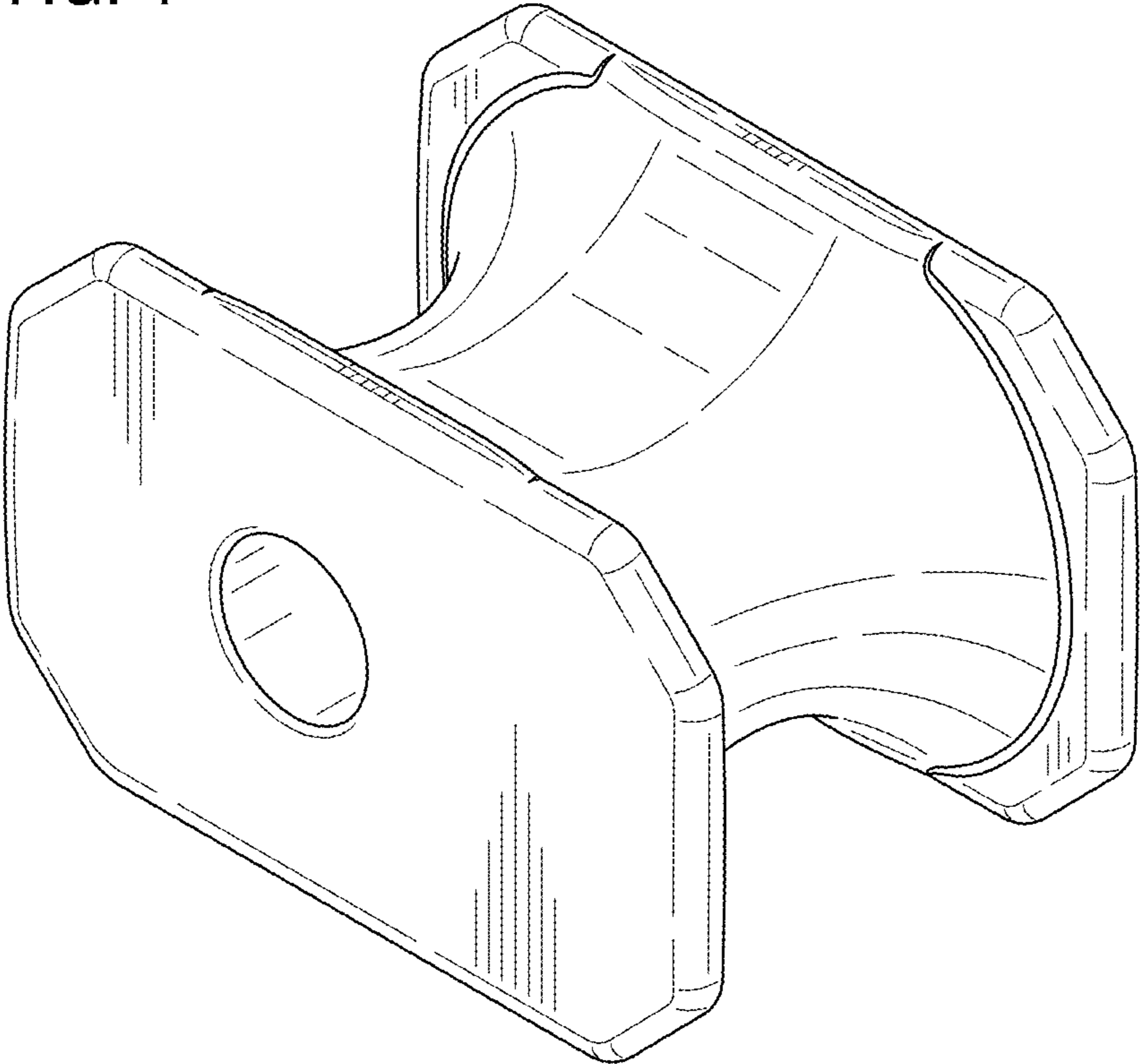


FIG. 2

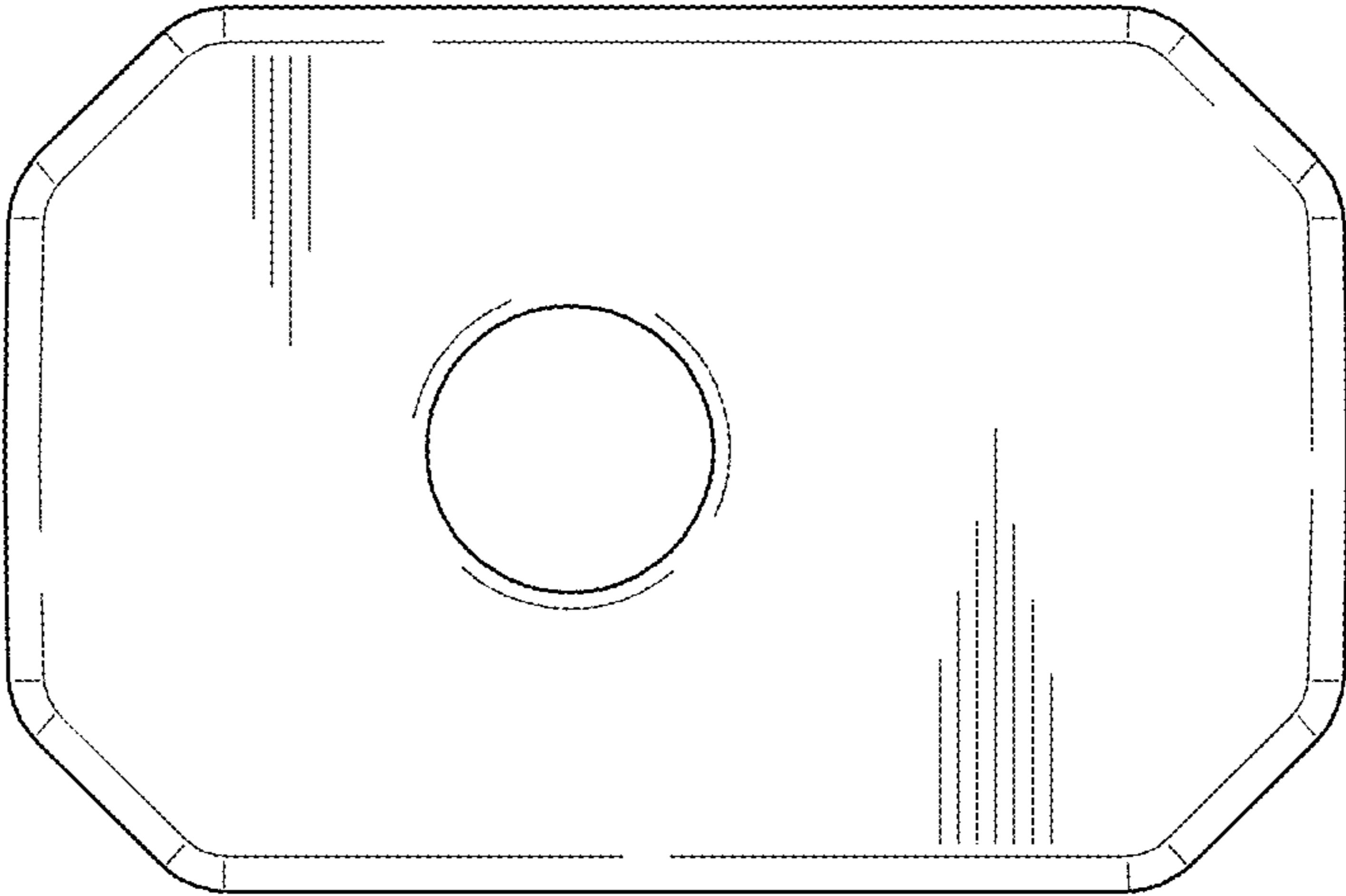


FIG. 3

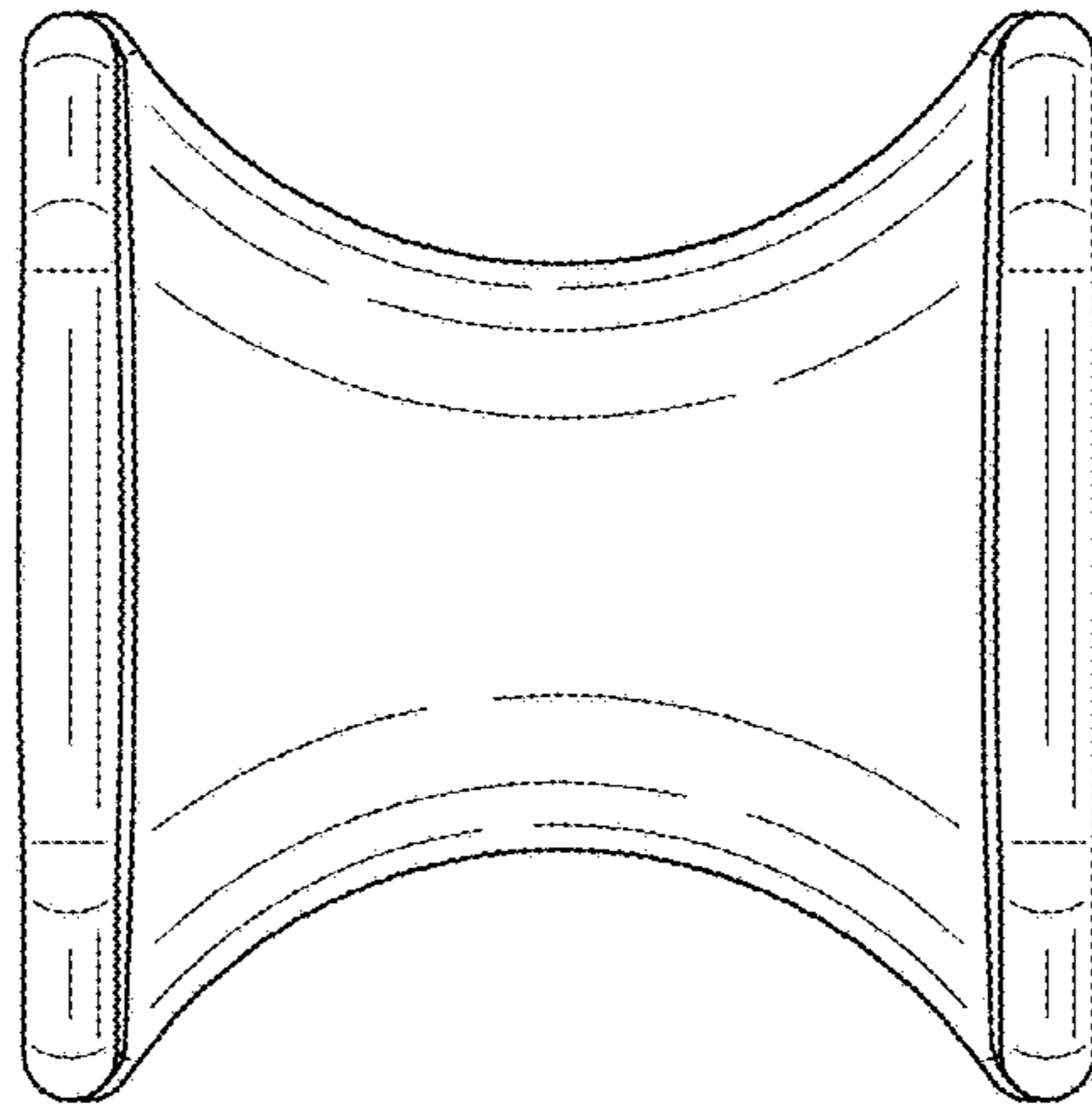


FIG. 4

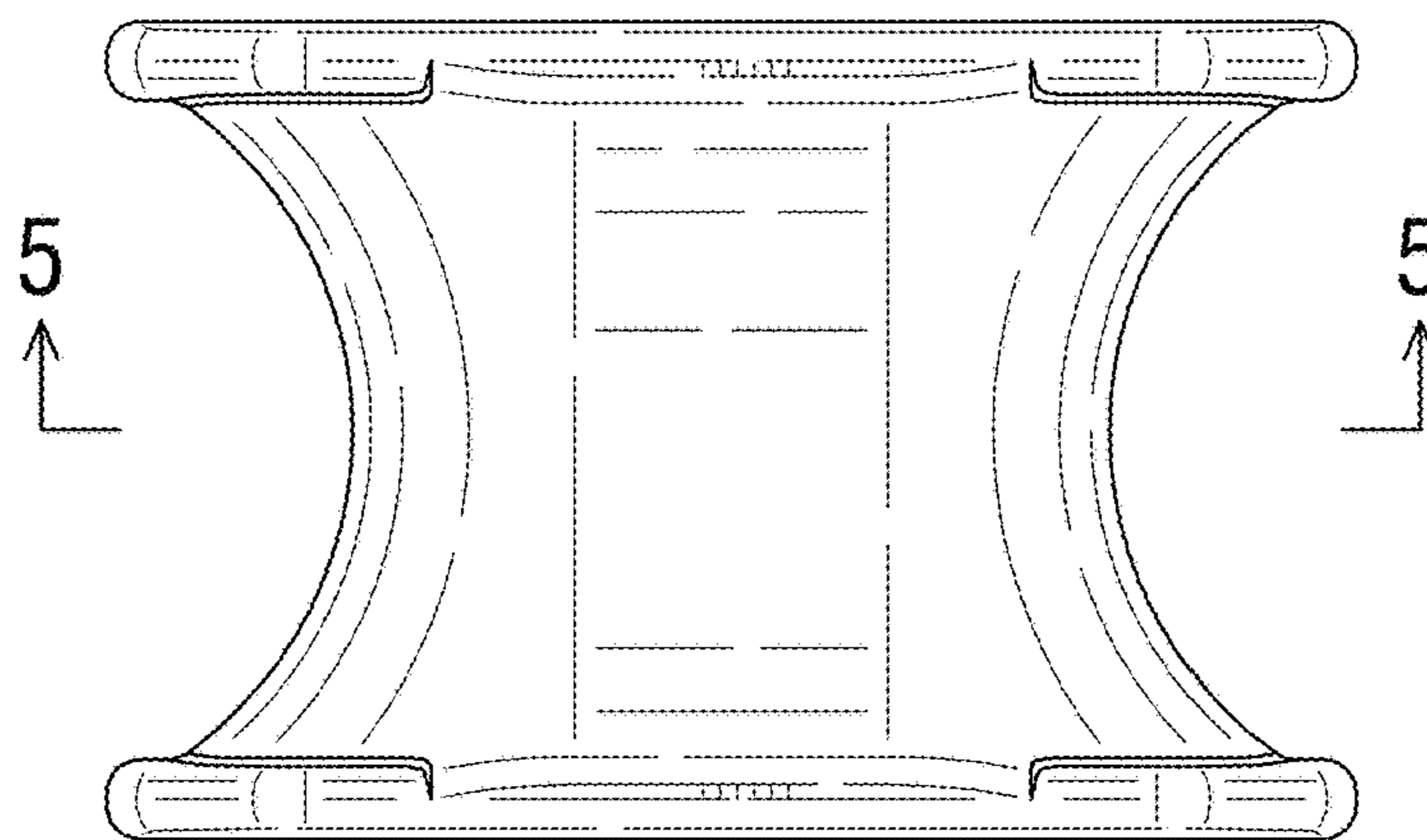


FIG. 5

