



US00D831469S

(12) **United States Design Patent**  
**Walton et al.**

(10) **Patent No.:** **US D831,469 S**  
(45) **Date of Patent:** **\*\* Oct. 23, 2018**

- (54) **MOUNT FOR A CABLE CLAMP**
- (71) Applicant: **Ellis Patents Holdings Limited,**  
Malton (GB)
- (72) Inventors: **Stephen Andrew Walton, York (GB);**  
**Christopher John Calvert, York (GB)**
- (73) Assignee: **Ellis Patents Holdings Limited,**  
Malton (GB)
- (\*\*) Term: **15 Years**
- (21) Appl. No.: **29/629,466**
- (22) Filed: **Dec. 13, 2017**
- (51) **LOC (11) Cl.** ..... **09-06**
- (52) **U.S. Cl.**  
USPC ..... **D8/356**
- (58) **Field of Classification Search**  
USPC ..... D8/356, 354  
CPC ..... B65H 57/16; B63B 21/045  
See application file for complete search history.

- D542,123 S \* 5/2007 Symons ..... D8/356
- D554,017 S \* 10/2007 Hampton ..... D10/119.1
- 7,399,199 B2 \* 7/2008 Symons ..... H01R 13/72  
439/242
- D591,678 S \* 5/2009 Whitley ..... D13/133
- D598,480 S \* 8/2009 Kanemitsu ..... D15/148
- 7,654,484 B2 \* 2/2010 Mogensen ..... A61M 5/1418  
242/402
- 7,686,830 B2 \* 3/2010 Collier ..... A61B 17/0401  
24/115 N
- D631,730 S \* 2/2011 Skillman ..... B65H 75/143  
D8/356
- D644,306 S \* 8/2011 Douglass, III ..... D23/269
- D645,334 S \* 9/2011 Kanemitsu ..... D8/360
- D685,771 S \* 7/2013 Bertenthal ..... D14/223
- 8,474,105 B2 \* 7/2013 Naquin ..... B63B 21/20  
24/115 R
- D716,640 S \* 11/2014 Martinson ..... D8/356
- D722,621 S \* 2/2015 Gray ..... D15/28
- D735,020 S \* 7/2015 Bradford ..... D8/356
- 9,187,291 B2 \* 11/2015 Alexandre ..... B65H 75/34
- D748,455 S \* 2/2016 Symons ..... D8/356

(Continued)

*Primary Examiner* — Cynthia R Underwood  
(74) *Attorney, Agent, or Firm* — Knechtel, Demeur & Samlan

(56) **References Cited**

**U.S. PATENT DOCUMENTS**

- 3,062,475 A \* 11/1962 Miller, Jr. .... A01K 97/06  
242/404.3
- 4,150,798 A \* 4/1979 Aragon ..... H02G 11/02  
191/12.2 R
- 4,390,142 A \* 6/1983 Cheng ..... H02G 11/02  
242/388.1
- 5,873,540 A \* 2/1999 Hardin ..... B65H 75/143  
206/406
- 6,234,418 B1 \* 5/2001 Donaldson ..... B65H 75/28  
191/12.2 R
- 6,966,791 B1 \* 11/2005 Farr ..... B65H 75/406  
206/303
- 7,077,693 B1 \* 7/2006 Symons ..... H01R 13/72  
191/12.4
- D539,117 S \* 3/2007 Sealey ..... D8/349

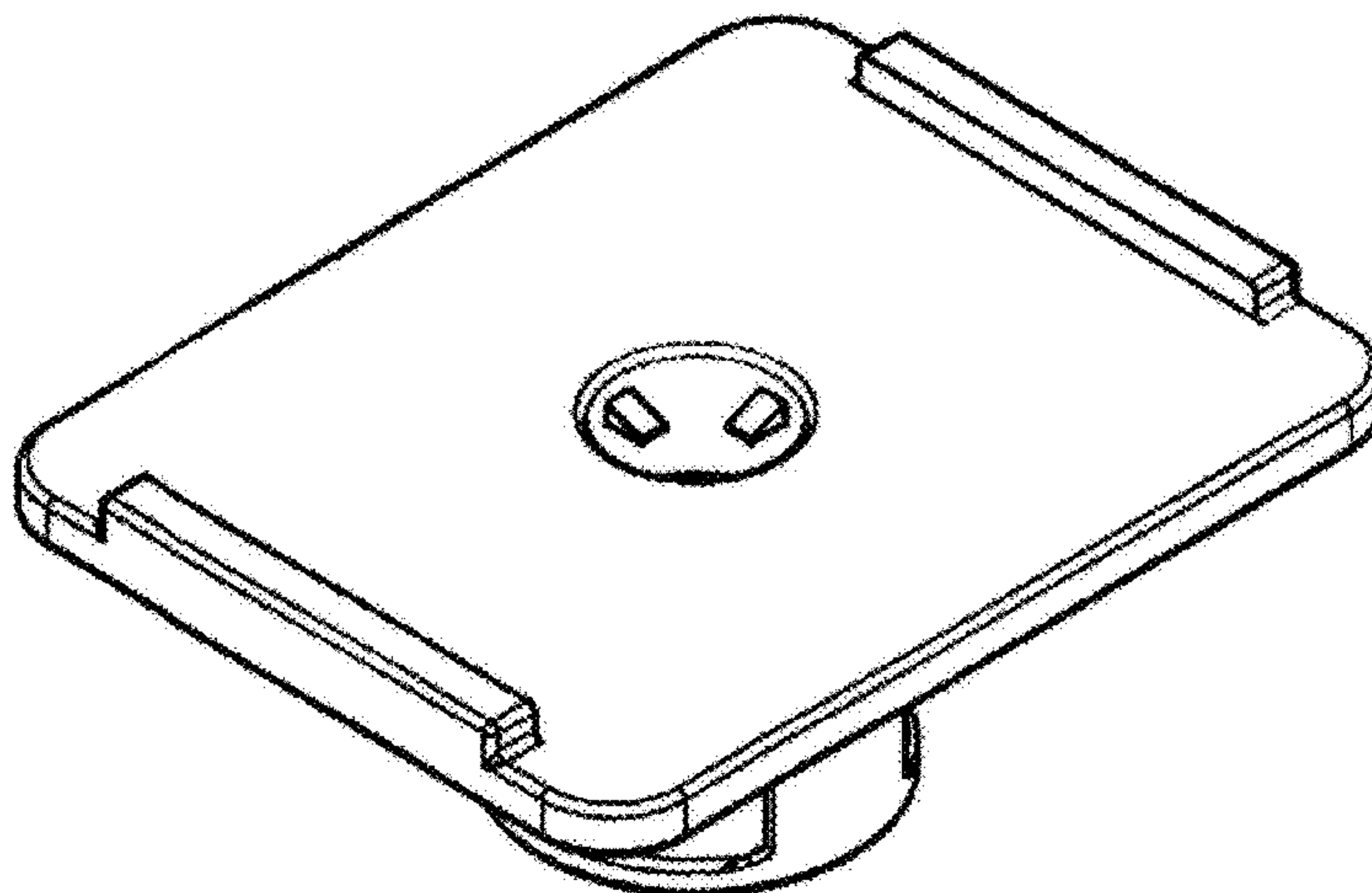
(57) **CLAIM**

We claim the ornamental design for “a mount for a cable clamp,” as shown and described.

**DESCRIPTION**

FIG. 1 is a perspective view of the cable mount showing our new design;  
FIG. 2 is a top plan view thereof;  
FIG. 3 is a bottom view thereof;  
FIG. 4 is a front elevation view thereof;  
FIG. 5 is a rear view thereof;  
FIG. 6 is a right side view thereof; and,  
FIG. 7 is a left side view thereof.

**1 Claim, 7 Drawing Sheets**



(56)

**References Cited**

U.S. PATENT DOCUMENTS

D772,042	S *	11/2016	Polovin .....	D8/356
D811,858	S *	3/2018	Martino .....	D8/356
10,001,635	B2 *	6/2018	Gareau .....	G01N 21/6458
2002/0145073	A1 *	10/2002	Swanson .....	A61F 15/002 242/588.3
2003/0122023	A1 *	7/2003	Pitcher .....	B65H 75/143 242/388.1
2004/0178398	A1 *	9/2004	Miller .....	F16H 55/44 254/390
2011/0036676	A1 *	2/2011	Skillman .....	B65H 75/143 191/12.4
2011/0240448	A1 *	10/2011	Springer .....	F16M 11/041 200/331

\* cited by examiner

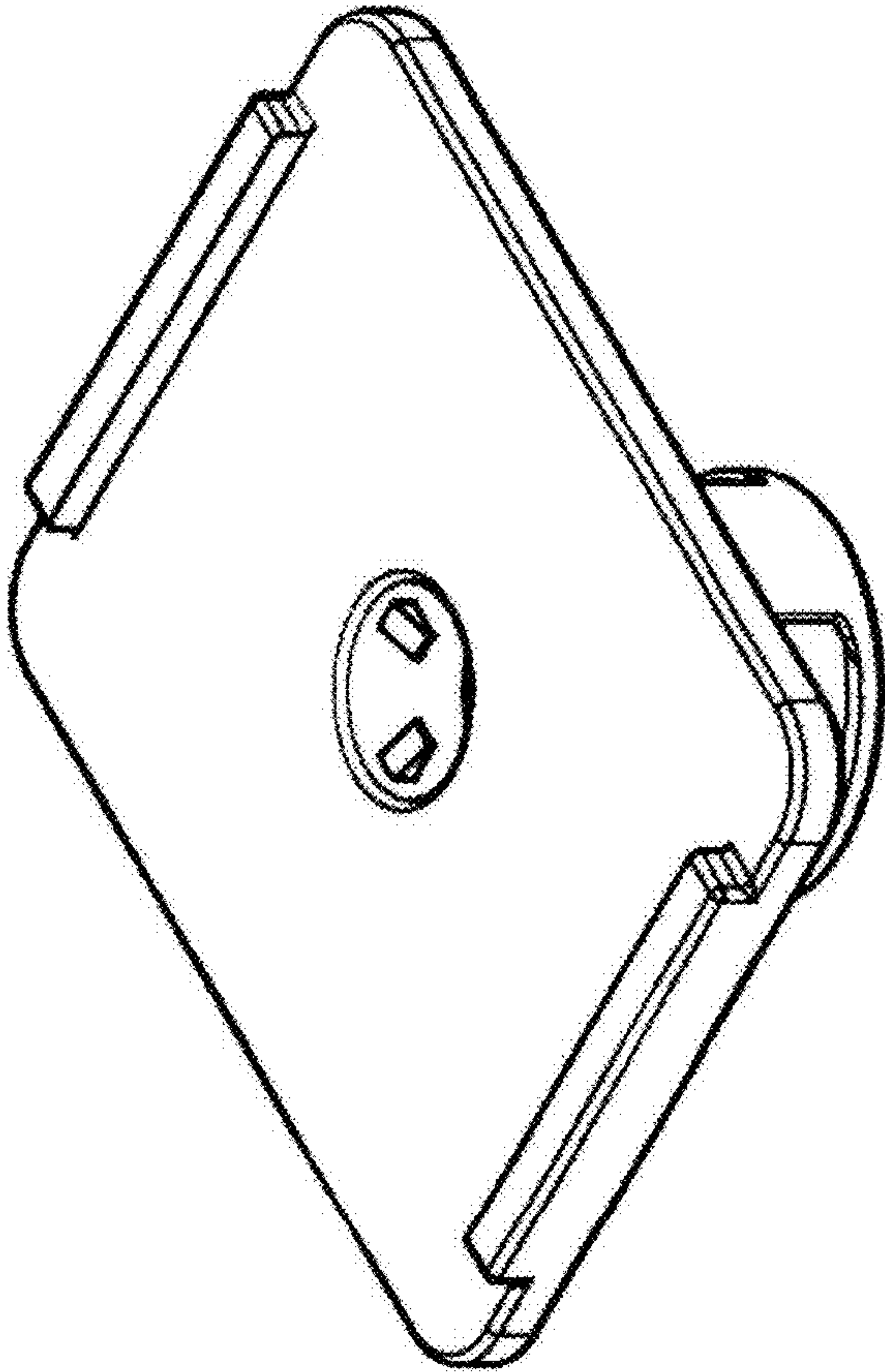


FIG. 1

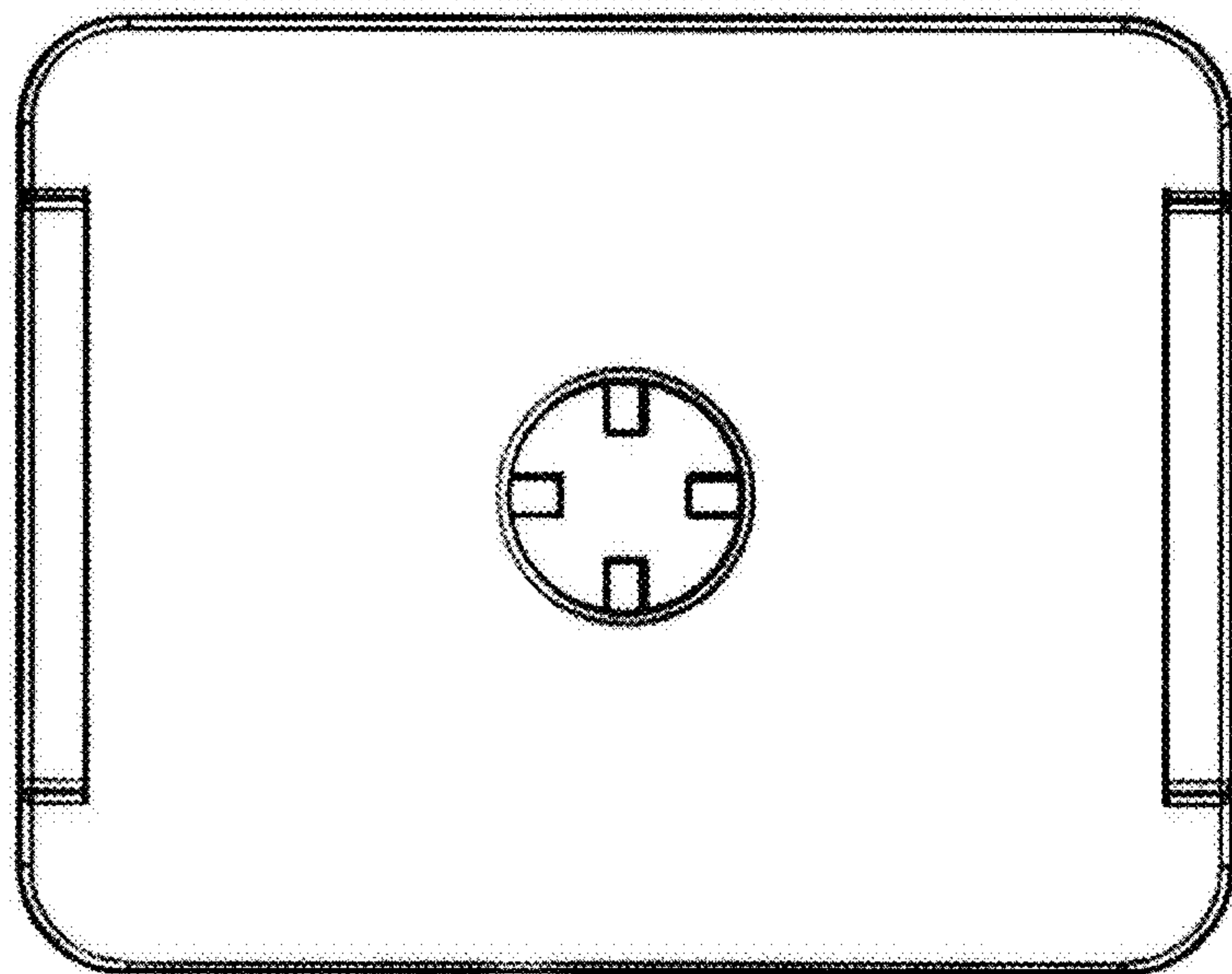


FIG. 2

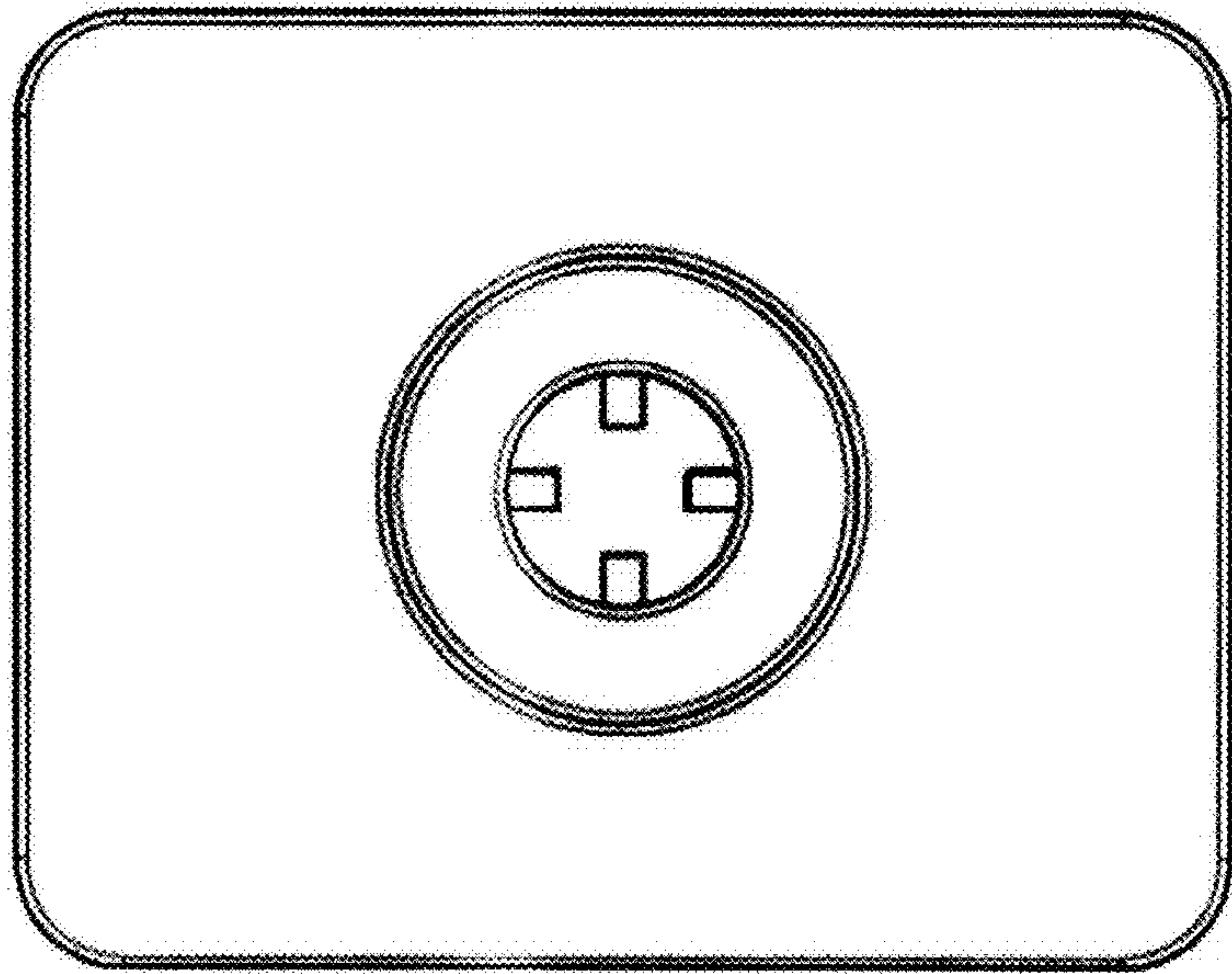


FIG. 3

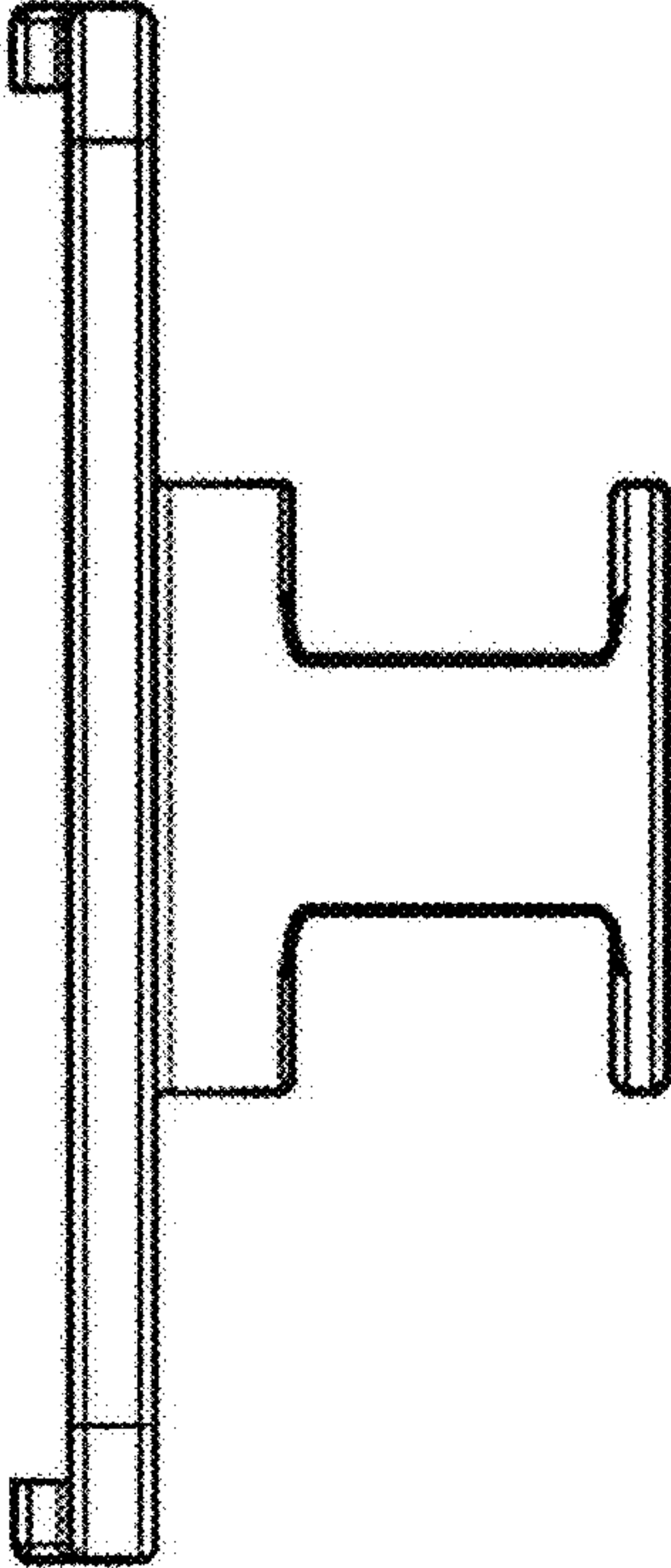


FIG. 4



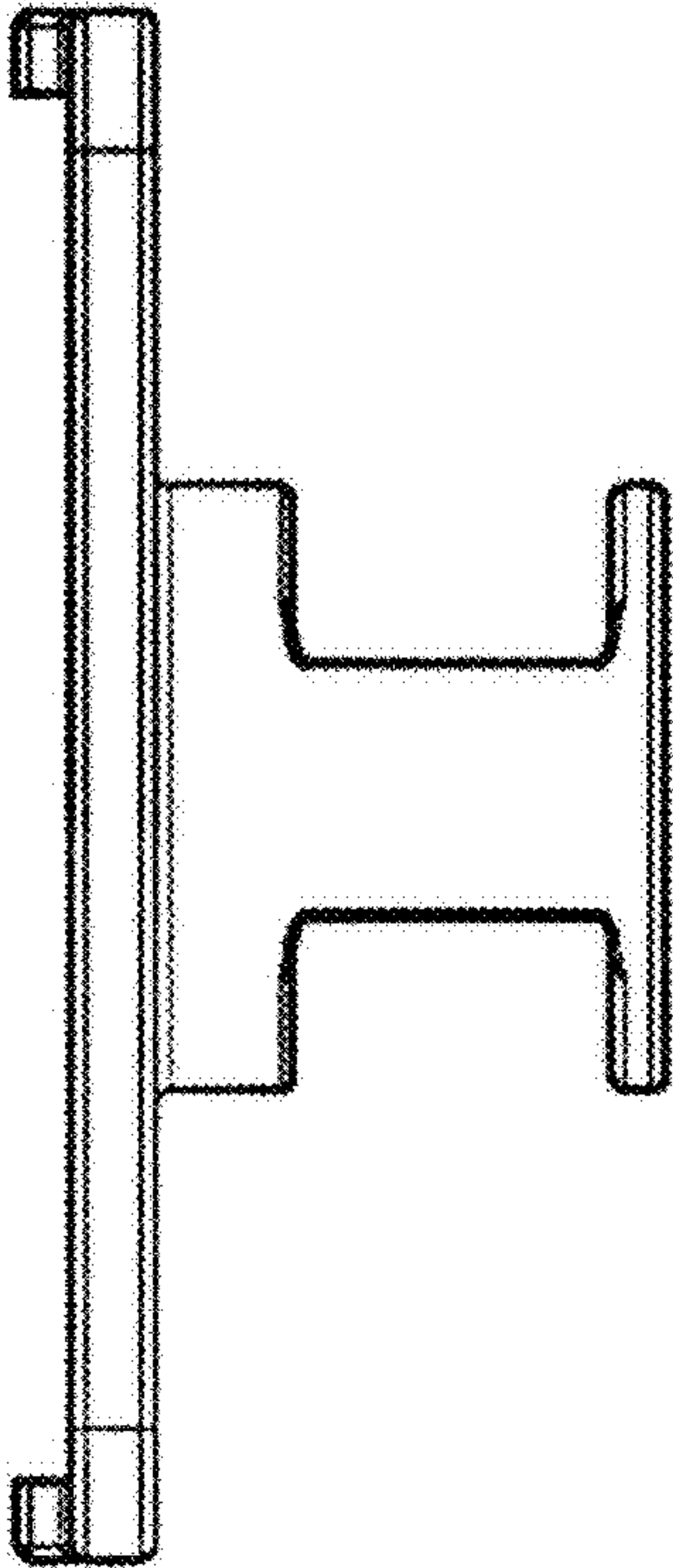


FIG. 5

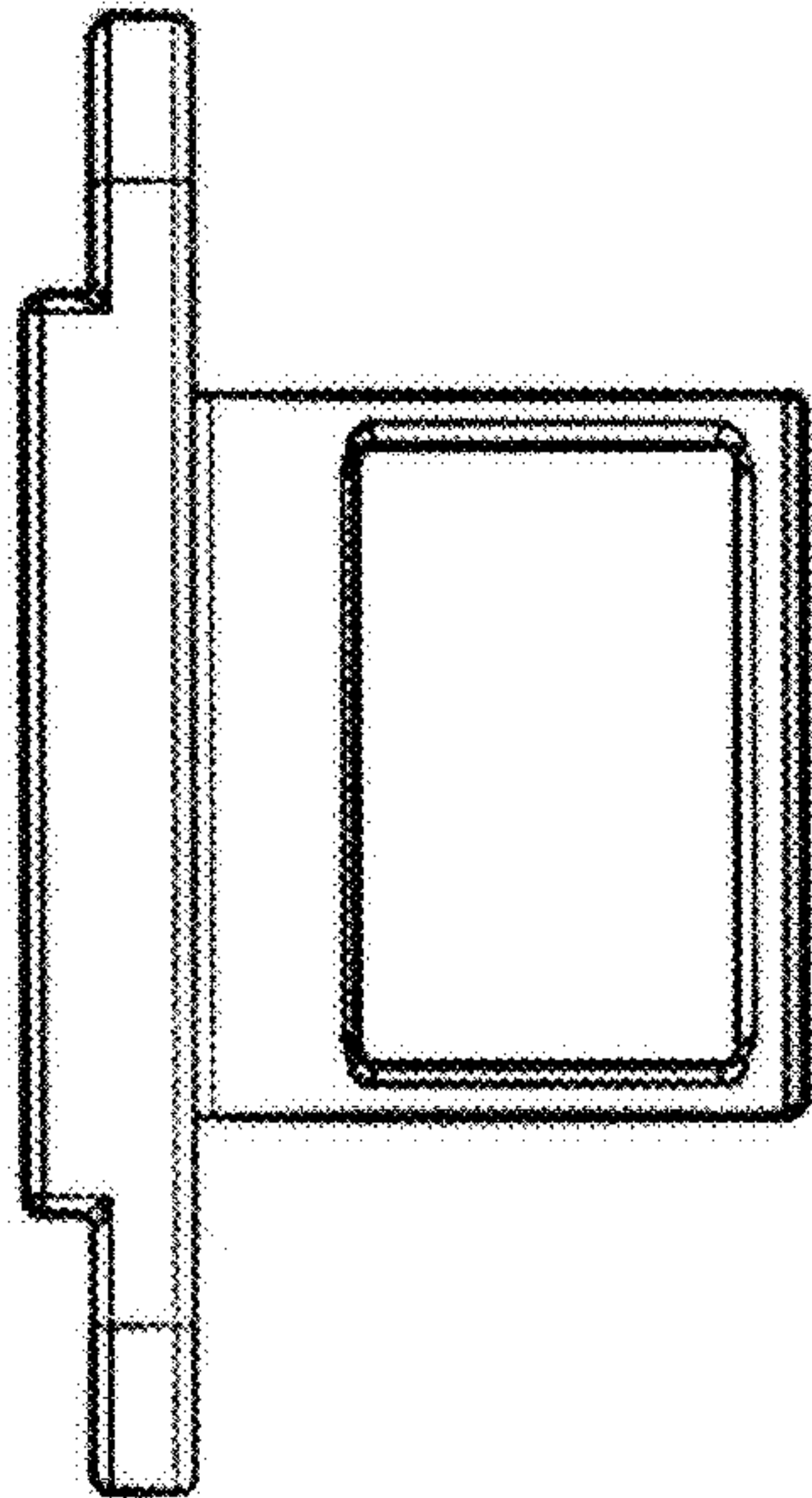


FIG. 6



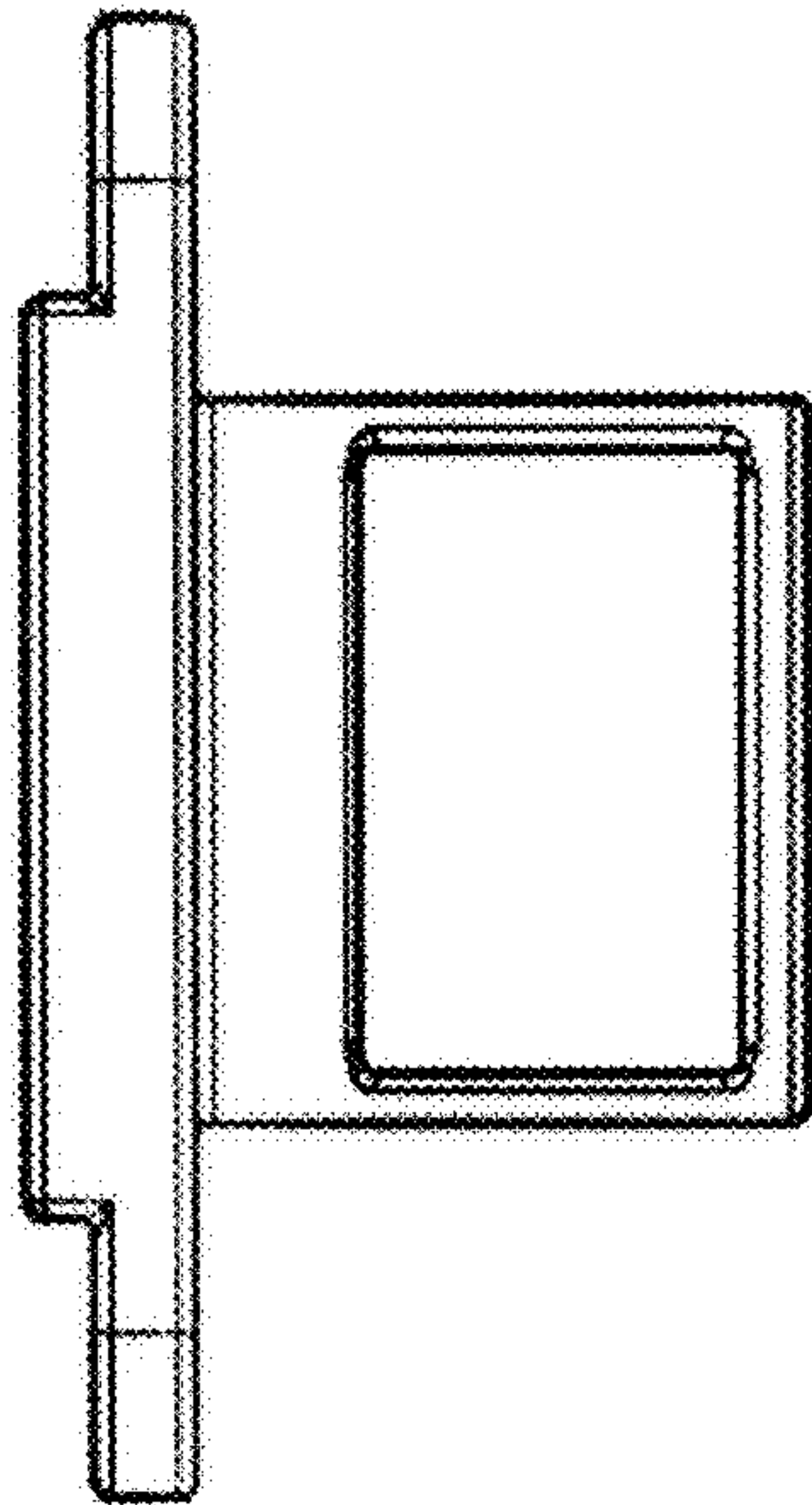


FIG. 7