



US00D831468S

(12) **United States Design Patent** (10) **Patent No.:** **US D831,468 S**
Morley (45) **Date of Patent:** **** Oct. 23, 2018**

(54) **CABLE ORGANIZER**
(71) Applicant: **IZZY INDUSTRIES INC.**, Pembroke, NH (US)
(72) Inventor: **Zachary T. Morley**, Hooksett, NH (US)
(73) Assignee: **NORTH AMERICAN BREAKER CO., LLC**, Burbank, CA (US)

D707,107 S 6/2014 Crouse
D707,108 S 6/2014 Crouse
D707,534 S * 6/2014 Crouse D8/356
D726,239 S 4/2015 So
D731,555 S 6/2015 Lee
D735,020 S 7/2015 Bradford
D738,833 S 8/2015 Lee
D738,707 S 9/2015 Tung
(Continued)

(**) Term: **15 Years**

WO DM/065090 2/2004

(21) Appl. No.: **29/595,977**

OTHER PUBLICATIONS

(22) Filed: **Mar. 3, 2017**

Snap-In Adapter by Izzy Industries, retrieved on Apr. 18, 2018, retrieved from the Internet URL: <http://www.izzyindustries.com/product/snap-in-adapters/>.*

(51) **LOC (11) Cl.** **08-06**

(52) **U.S. Cl.**
USPC **D8/356**

(58) **Field of Classification Search**
USPC D13/103, 108, 120, 151-155; D8/499, D8/354, 356
CPC H03H 7/38; H04N 7/102; H04N 7/104; H01R 24/547; H01R 24/542; H01R 9/0506
See application file for complete search history.

Primary Examiner — Jennifer Rivard
Assistant Examiner — Alison M Ofstun
(74) *Attorney, Agent, or Firm* — Preti Flaherty Beliveau & Pachios LLP

(57) **CLAIM**

The ornamental design for a cable organizer, as shown and described.

(56) **References Cited**

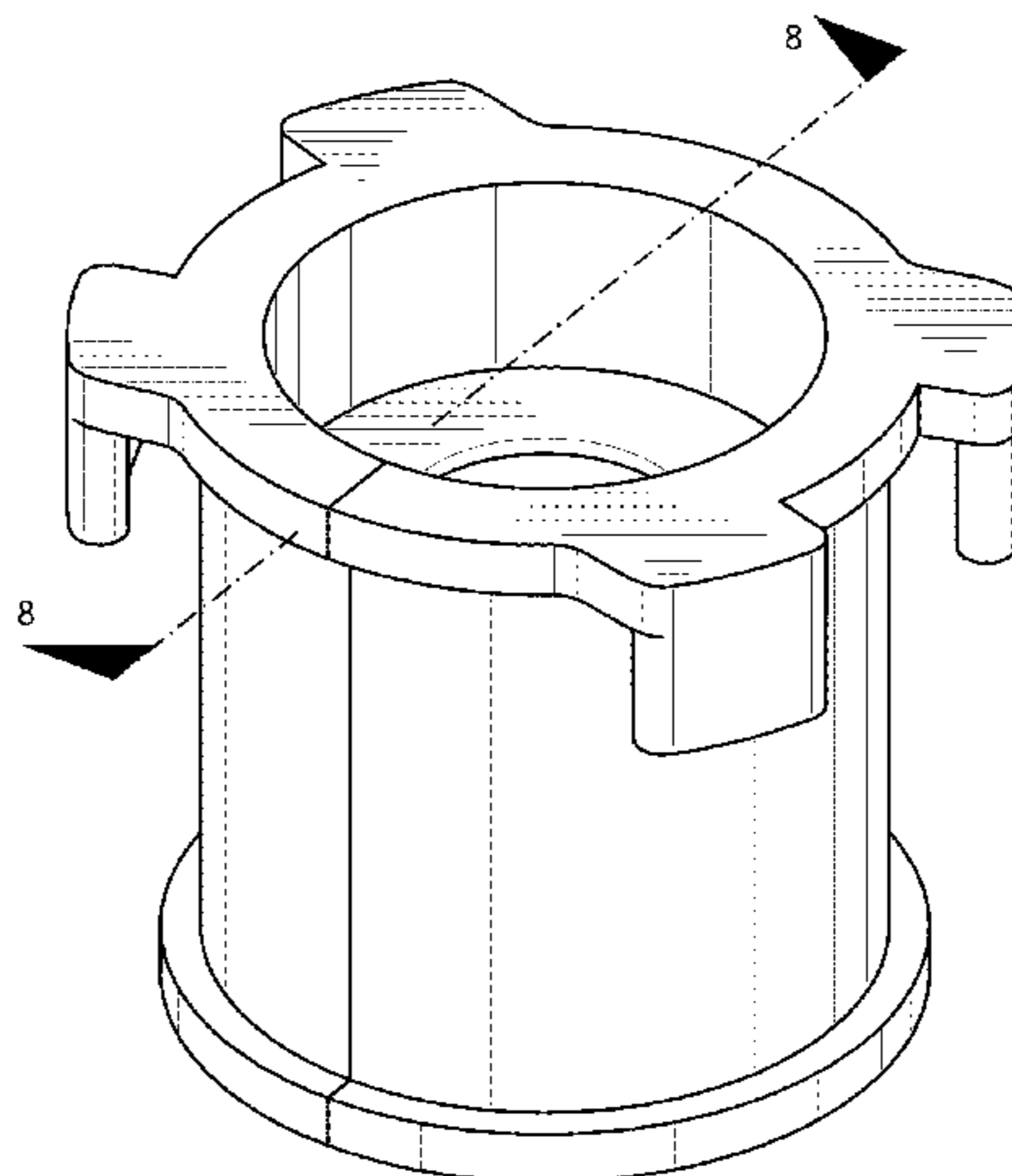
DESCRIPTION

U.S. PATENT DOCUMENTS

D257,321 S 10/1980 Voorhees, Jr. et al.
D313,340 S 1/1991 Stathis et al.
D329,043 S * 9/1992 Rogers D13/155
D442,064 S * 5/2001 Chung D8/356
D494,451 S * 8/2004 Winig D8/356
D508,199 S * 8/2005 Winig D8/356
D596,371 S 7/2009 Janes, Jr.
7,997,923 B1 * 8/2011 Oh H01R 13/562 439/445
D647,387 S * 10/2011 Pawluk D8/356
D650,656 S * 12/2011 Hsu D8/356
D655,598 S * 3/2012 Hsu D8/356
D682,909 S 5/2013 Kim
D698,320 S * 1/2014 Condo D13/154

FIG. 1 is a top-front-right perspective view of a cable organizer in accordance with the design;
FIG. 2 is a bottom-front-left perspective view thereof;
FIG. 3 is a front side view thereof;
FIG. 4 is a back side view thereof;
FIG. 5 is a left side view thereof, the right side view being identical;
FIG. 6 is a top plan view thereof;
FIG. 7 is a bottom plan view thereof; and,
FIG. 8 is a cross-sectional view thereof, taken along line 8-8 of FIG. 1.

1 Claim, 6 Drawing Sheets



(56)

References Cited

U.S. PATENT DOCUMENTS

D748,455 S * 2/2016 Symons D8/356
D752,330 S 3/2016 Hoover
D758,838 S 6/2016 Symons
9,407,078 B2 * 8/2016 Budagher H02G 3/32
D778,143 S * 2/2017 Crounse D8/356
D784,118 S * 4/2017 Reddy D8/356
D786,048 S * 5/2017 Grewal H04R 1/1033
D8/356
D789,183 S * 6/2017 Herrick D8/356
D803,666 S * 11/2017 Morley D8/356
D808,250 S * 1/2018 Chang D8/356
D808,778 S * 1/2018 Smeja D8/356
2006/0270487 A1 * 11/2006 Tu Teng A63B 69/3614
473/256

* cited by examiner

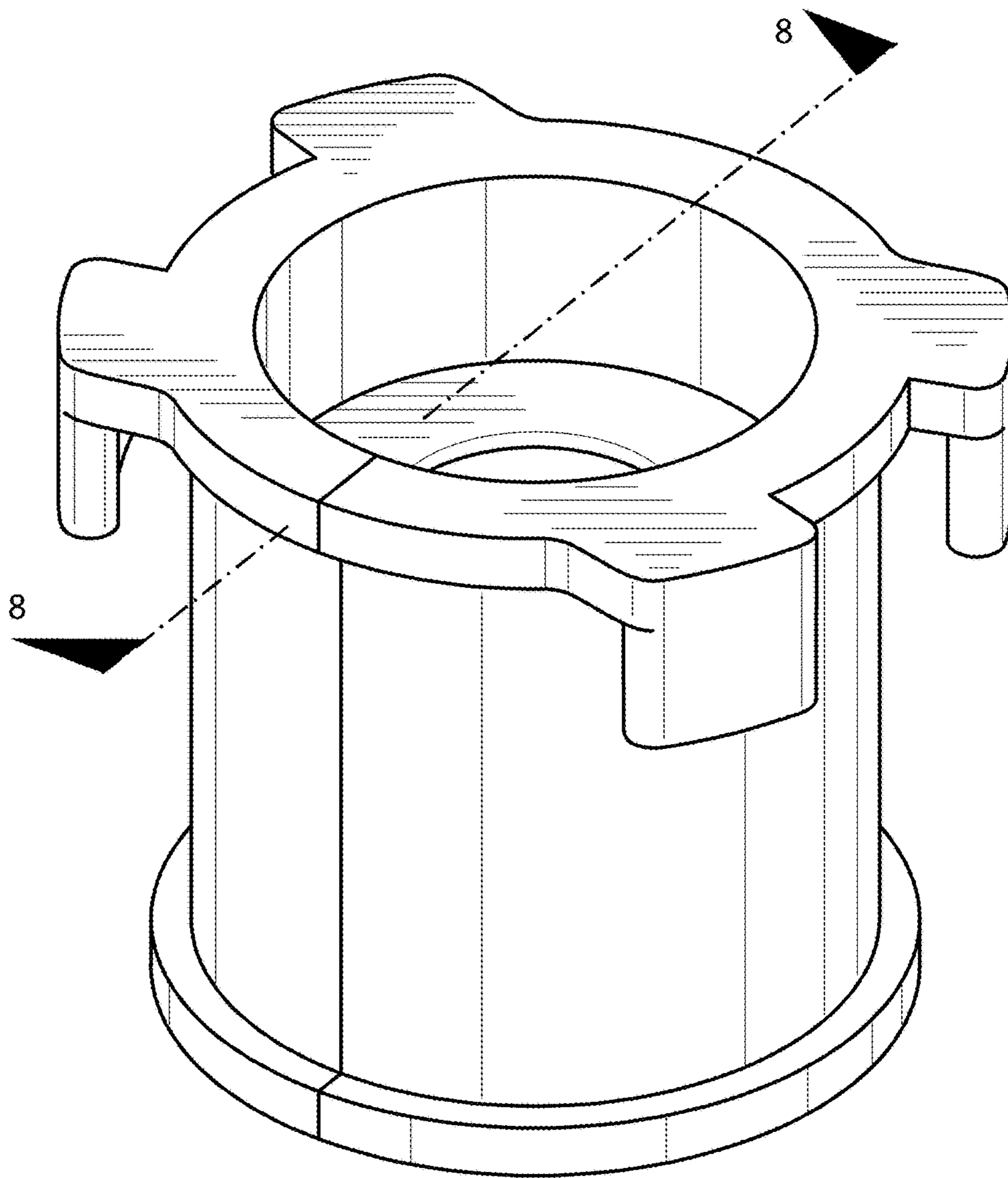


FIG. 1

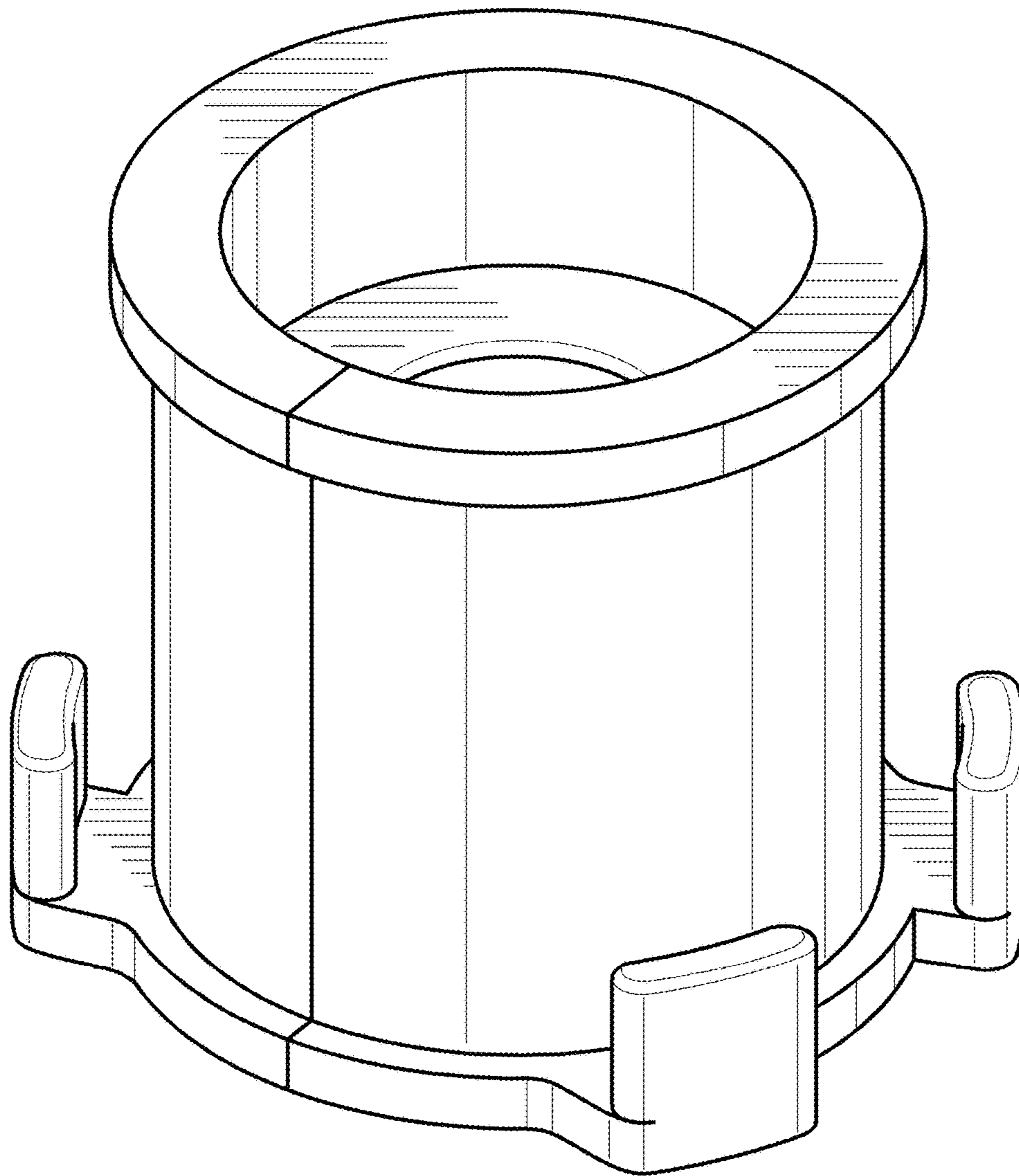


FIG. 2

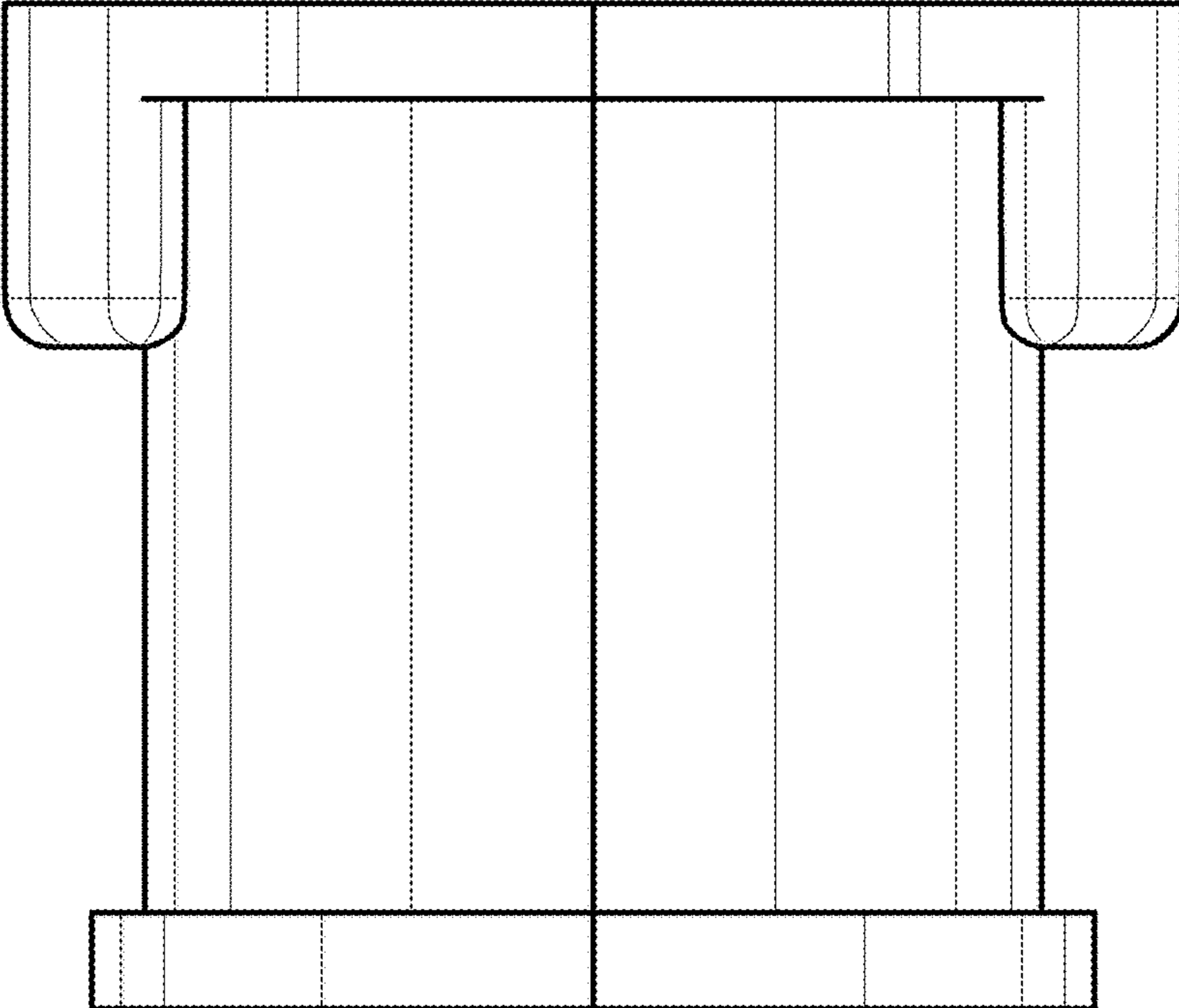


FIG. 3

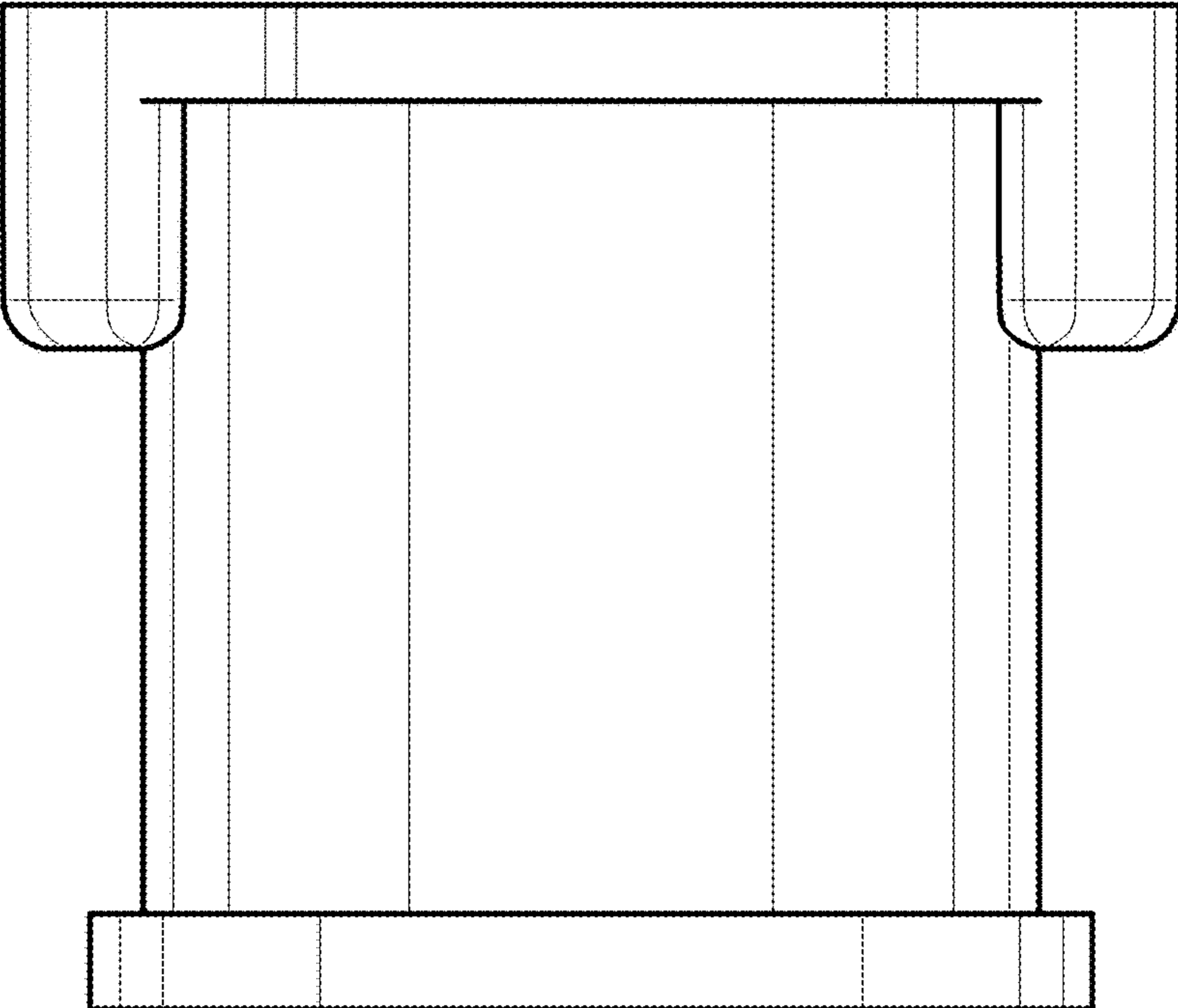


FIG. 4

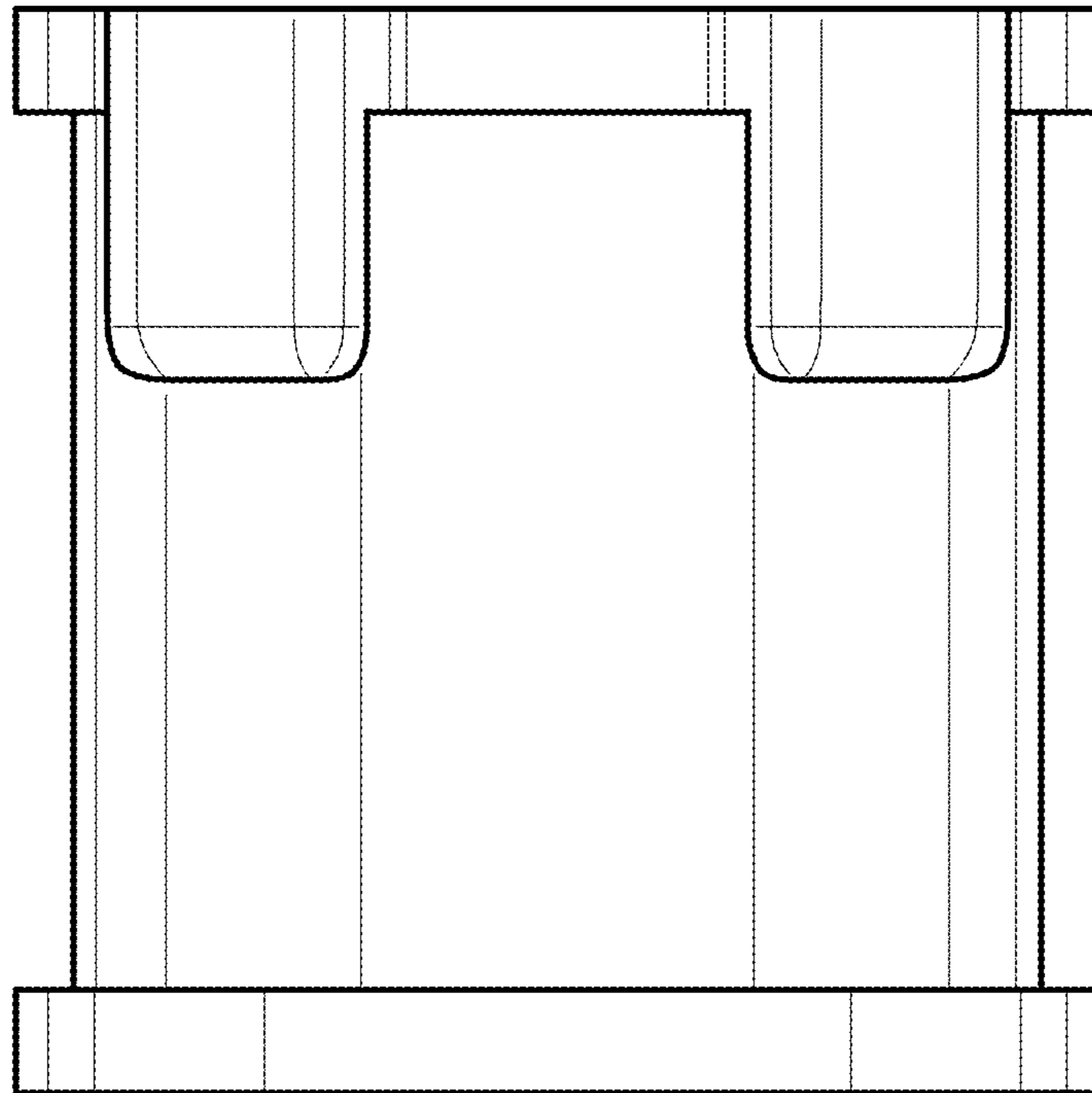


FIG. 5

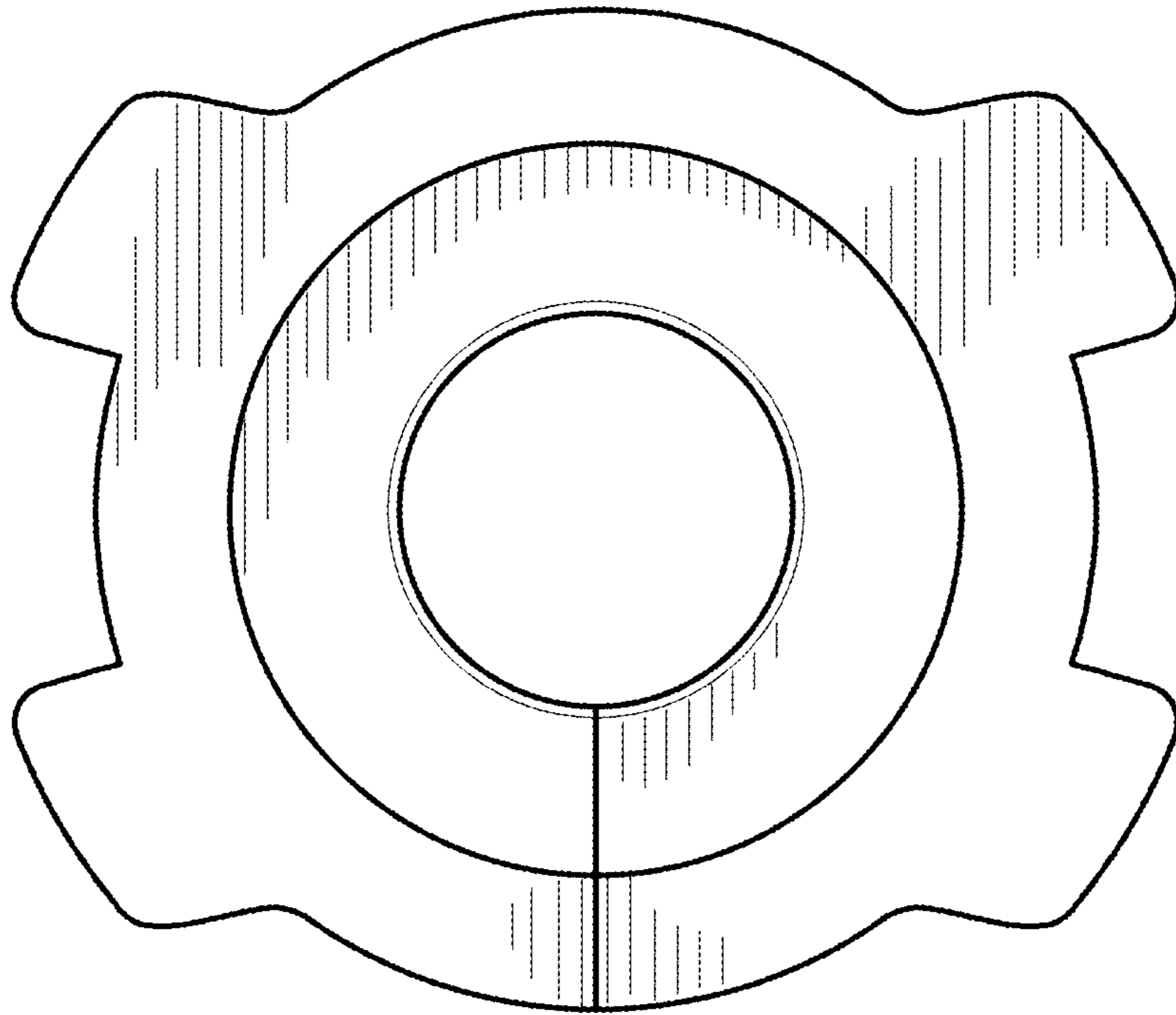


FIG. 6

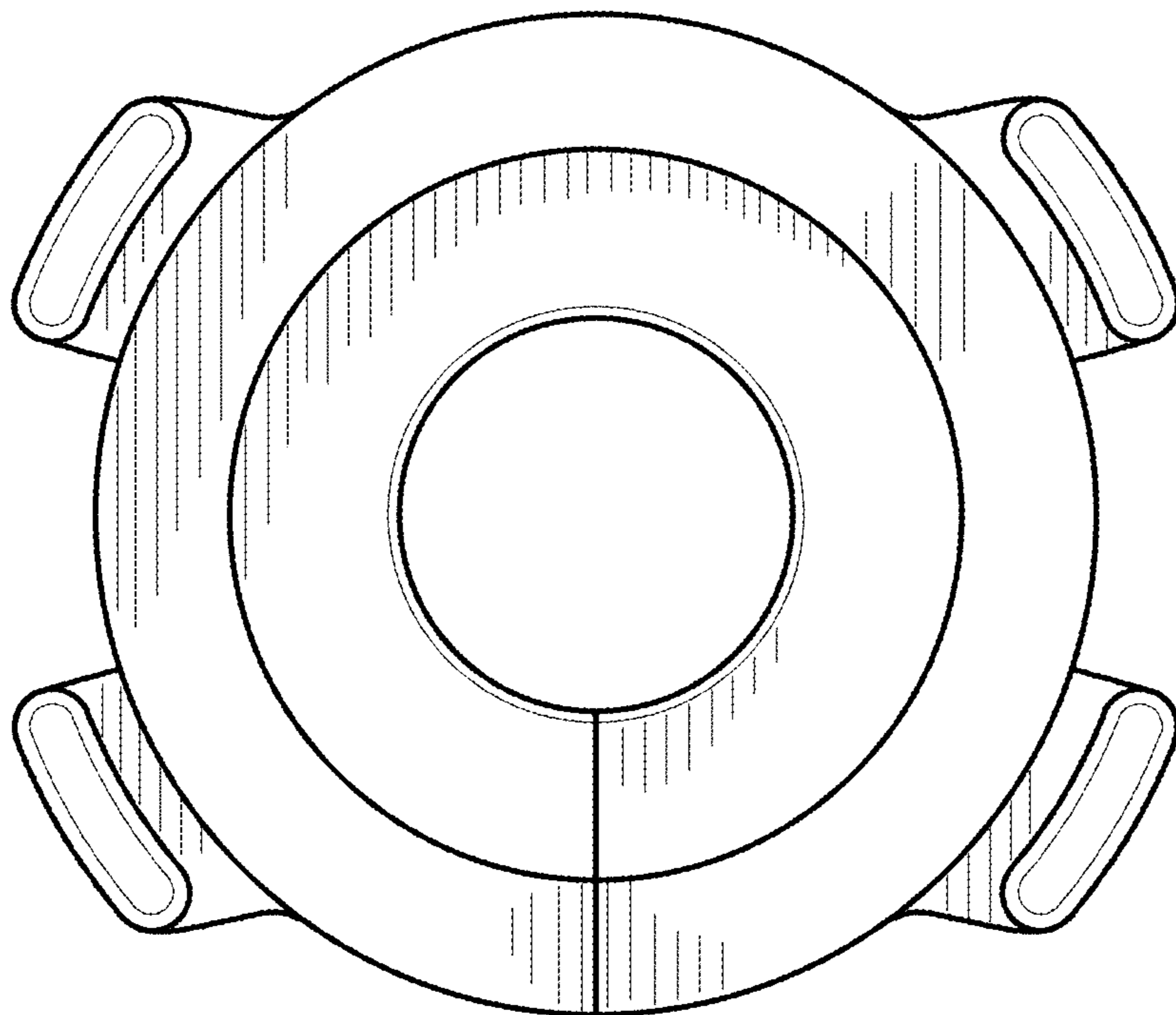


FIG. 7

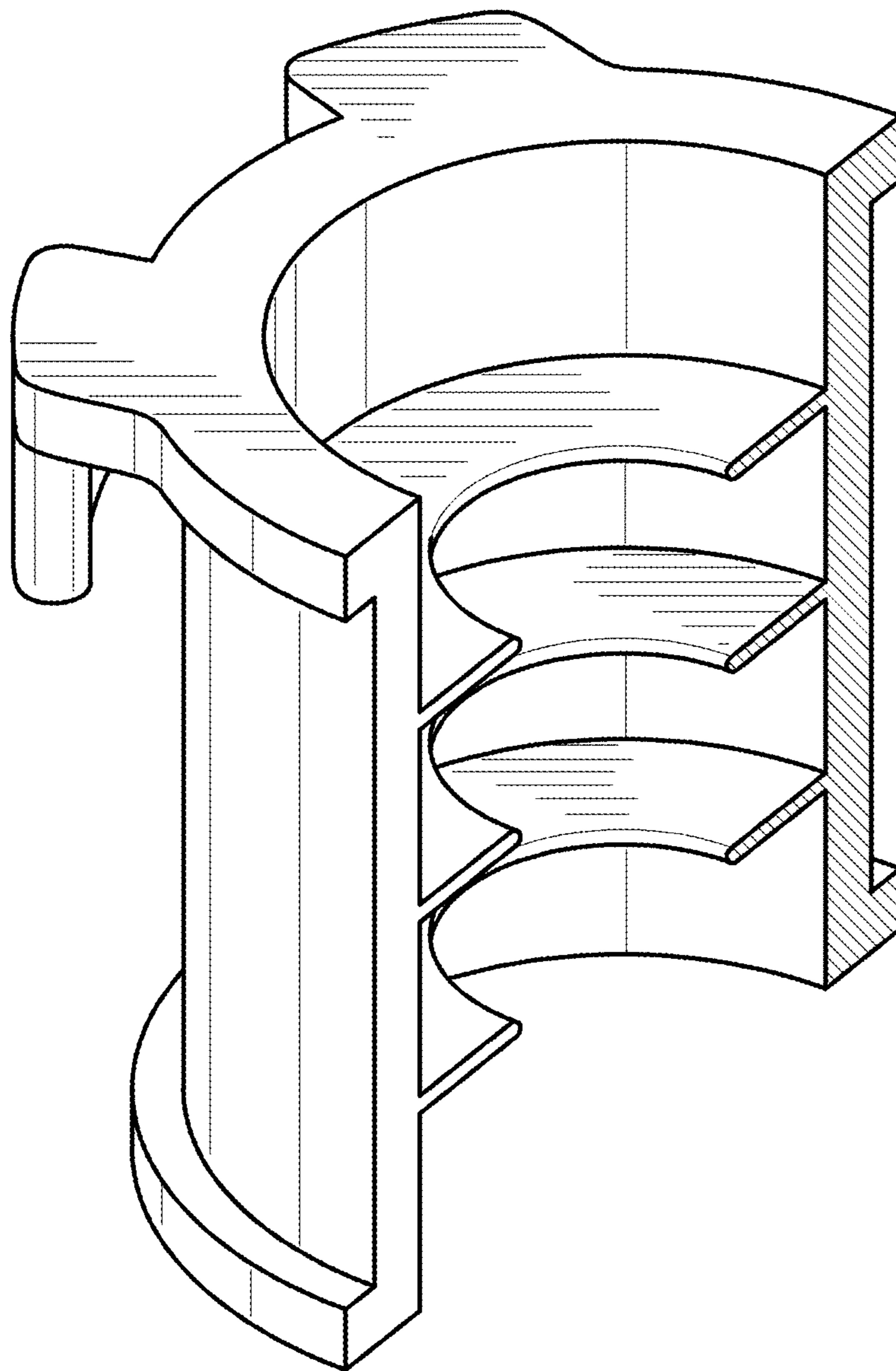


FIG. 8