



US00D831467S

(12) **United States Design Patent**
Crichton et al.

(10) **Patent No.:** **US D831,467 S**
(45) **Date of Patent:** **** Oct. 23, 2018**

(54) **SPOOL**
(71) Applicant: **DETNET SOUTH AFRICA (PTY) LTD**, Woodmead, Sandton (ZA)
(72) Inventors: **Andre Crichton**, Pretoria (ZA); **Phillip Olwage**, Hartbeespoort (ZA); **Johannes Petrus Kruger**, Sandton (ZA)
(73) Assignee: **DETNET SOUTH AFRICA (PTY) LTD**, Sandton (ZA)
(**) Term: **15 Years**

6,289,570 B1 * 9/2001 Peterson B65H 75/14
144/14
D504,806 S * 5/2005 Basaran D14/484
6,966,791 B1 * 11/2005 Farr B65H 75/406
206/303
7,077,693 B1 * 7/2006 Symons H01R 13/72
191/12.4
D539,117 S * 3/2007 Sealey D8/349
D542,123 S * 5/2007 Symons D8/356
D554,017 S * 10/2007 Hampton D10/119.1
7,399,199 B2 * 7/2008 Symons H01R 13/72
439/242
D591,678 S * 5/2009 Whitley D13/133
D598,480 S * 8/2009 Kanemitsu D15/148
7,654,484 B2 * 2/2010 Mogensen A61M 5/1418
242/402
7,686,830 B2 * 3/2010 Collier A61B 17/0401
24/115 N

(21) Appl. No.: **29/591,559**
(22) Filed: **Jan. 20, 2017**
(51) **LOC (11) Cl.** **09-06**
(52) **U.S. Cl.**
USPC **D8/356**
(58) **Field of Classification Search**
USPC D8/356, 354, 349; D13/155; 320/107
CPC H02J 7/0026; H02J 7/0021; H02J 7/0027;
Y02E 60/12; H01R 13/72; A61M 5/1418;
B65H 75/406; B65H 75/143
See application file for complete search history.

(Continued)

Primary Examiner — Cynthia R Underwood
(74) *Attorney, Agent, or Firm* — Michael Best & Friedrich LLP

(57) **CLAIM**

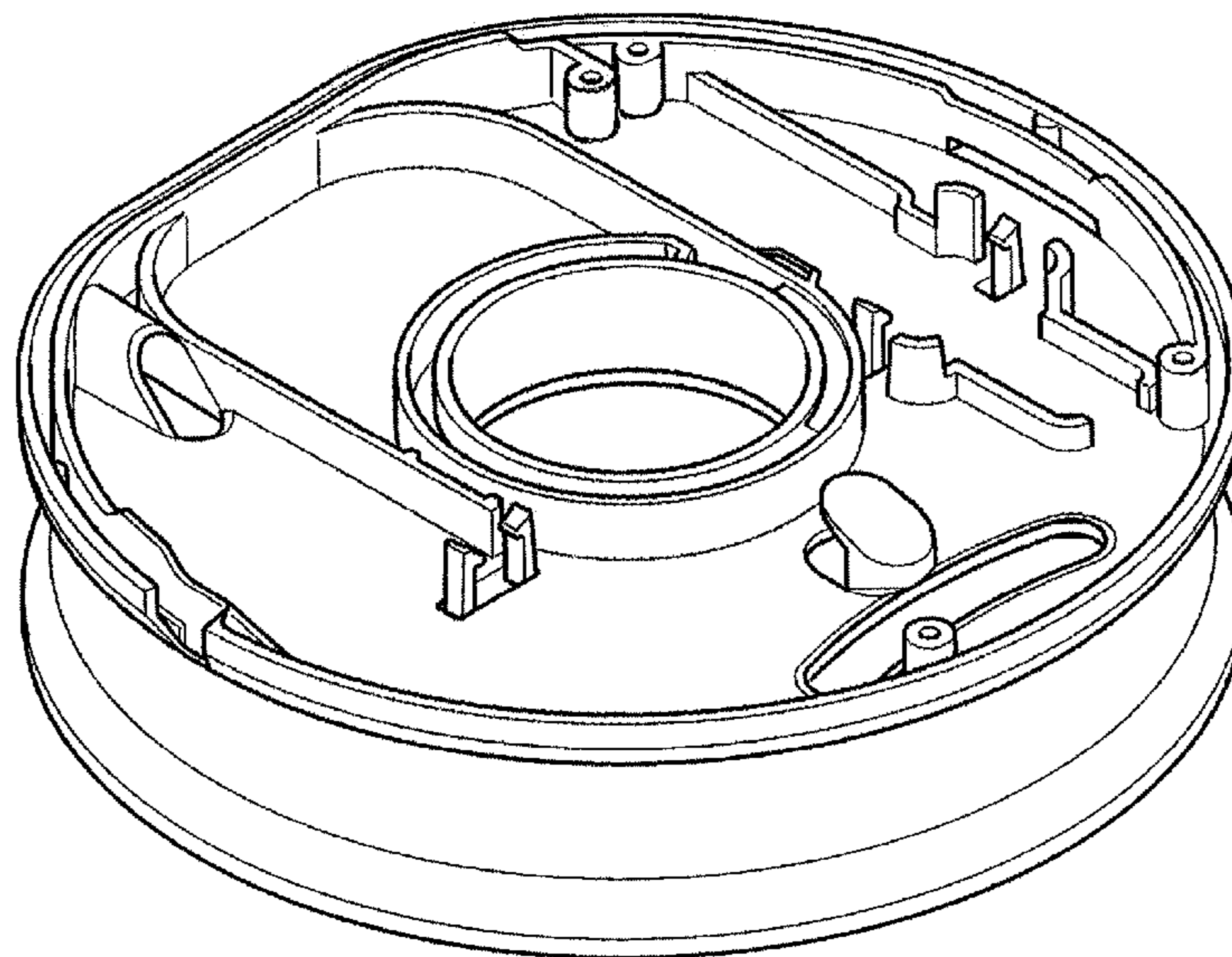
We claim the ornamental design for a spool, as shown and described.

DESCRIPTION

FIG. 1 is a perspective view of a spool.
FIG. 2 is a top view of the spool shown in FIG. 1.
FIG. 3 is a bottom view of the spool shown in FIG. 1.
FIG. 4 is a first side view of the spool shown in FIG. 1.
FIG. 5 is a second side view of the spool shown in FIG. 1.
FIG. 6 is a third side view of the spool shown in FIG. 1; and,
FIG. 7 is a fourth side view of the spool shown in FIG. 1.
The elements shown in broken lines are included for the purpose of illustrating environment and form no part of the claimed design. The broken lines having unequal line segments illustrate the boundary of the claimed design.

(56) **References Cited**
U.S. PATENT DOCUMENTS
3,062,475 A * 11/1962 Miller, Jr. A01K 97/06
242/404.3
4,150,798 A * 4/1979 Aragon H02G 11/02
191/12.2 R
4,390,142 A * 6/1983 Cheng H02G 11/02
242/388.1
5,873,540 A * 2/1999 Hardin B65H 75/143
206/406
6,234,418 B1 * 5/2001 Donaldson B65H 75/28
191/12.2 R

1 Claim, 4 Drawing Sheets



(56)

References Cited

U.S. PATENT DOCUMENTS

D625,172 S * 10/2010 Pauwels D8/358
D631,730 S * 2/2011 Skillman B65H 75/143
D8/356
D644,306 S * 8/2011 Douglass, III D23/269
D645,334 S * 9/2011 Kanemitsu D8/360
8,267,346 B2 * 9/2012 Ito B65H 75/14
242/118.61
D685,771 S * 7/2013 Bertenthal D14/223
8,474,105 B2 * 7/2013 Naquin B63B 21/20
24/115 R
D716,640 S * 11/2014 Martinson D8/356
D722,621 S * 2/2015 Gray D15/28
D735,020 S * 7/2015 Bradford D8/356
D741,149 S * 10/2015 Koop D8/356
9,187,291 B2 * 11/2015 Alexandre B65H 75/34
D748,455 S * 2/2016 Symons D8/356
D755,040 S * 5/2016 Ito D8/356
D775,710 S * 1/2017 Kim D22/137
D778,712 S * 2/2017 Kennedy D8/358
D782,180 S * 3/2017 Eberhard D3/18
D786,050 S * 5/2017 Ito D8/358
2002/0145073 A1 * 10/2002 Swanson A61F 15/002
242/588.3
2003/0122023 A1 * 7/2003 Pitcher B65H 75/143
242/388.1
2004/0178398 A1 * 9/2004 Miller F16H 55/44
254/390
2011/0036676 A1 * 2/2011 Skillman B65H 75/143
191/12.4

* cited by examiner

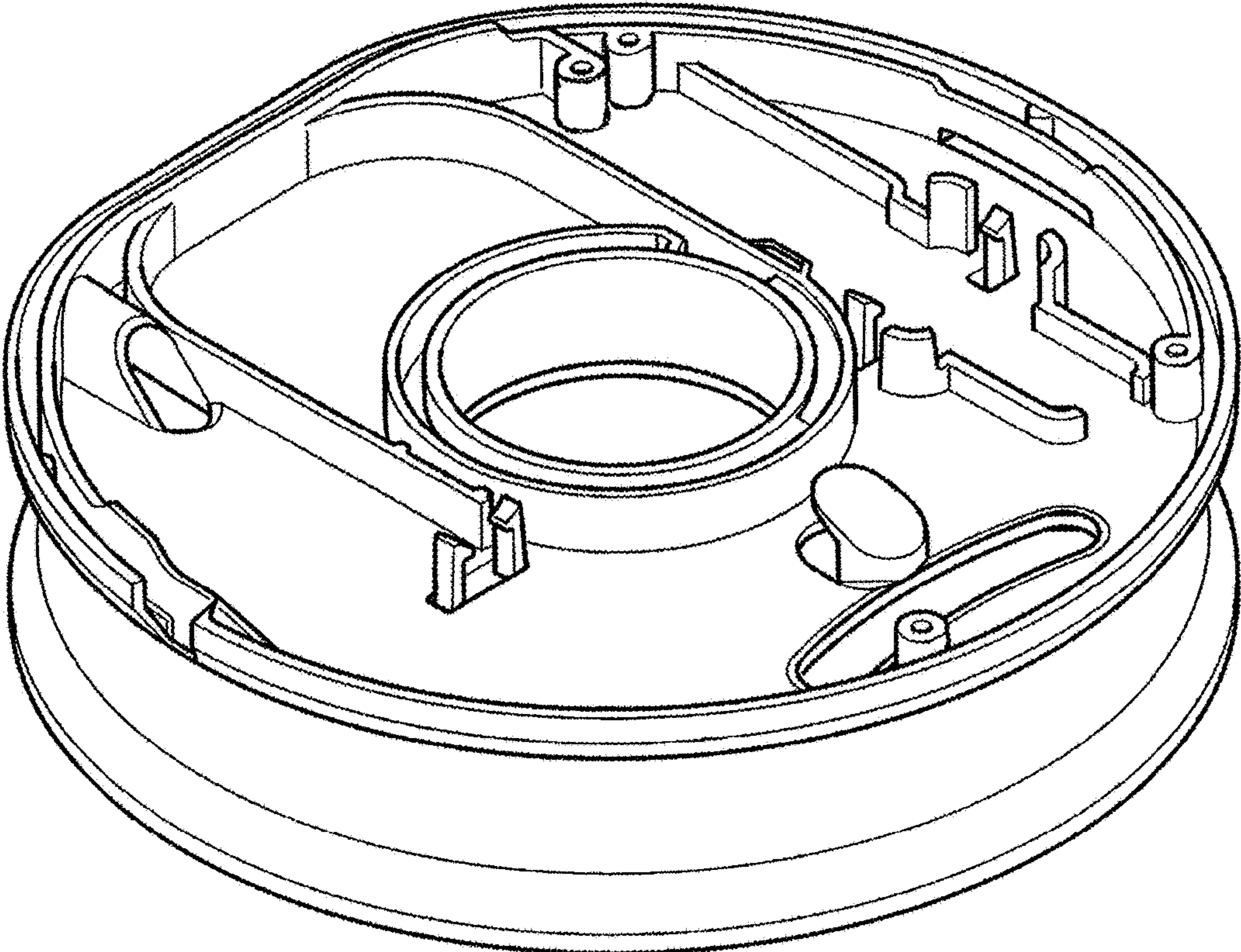


FIG. 1

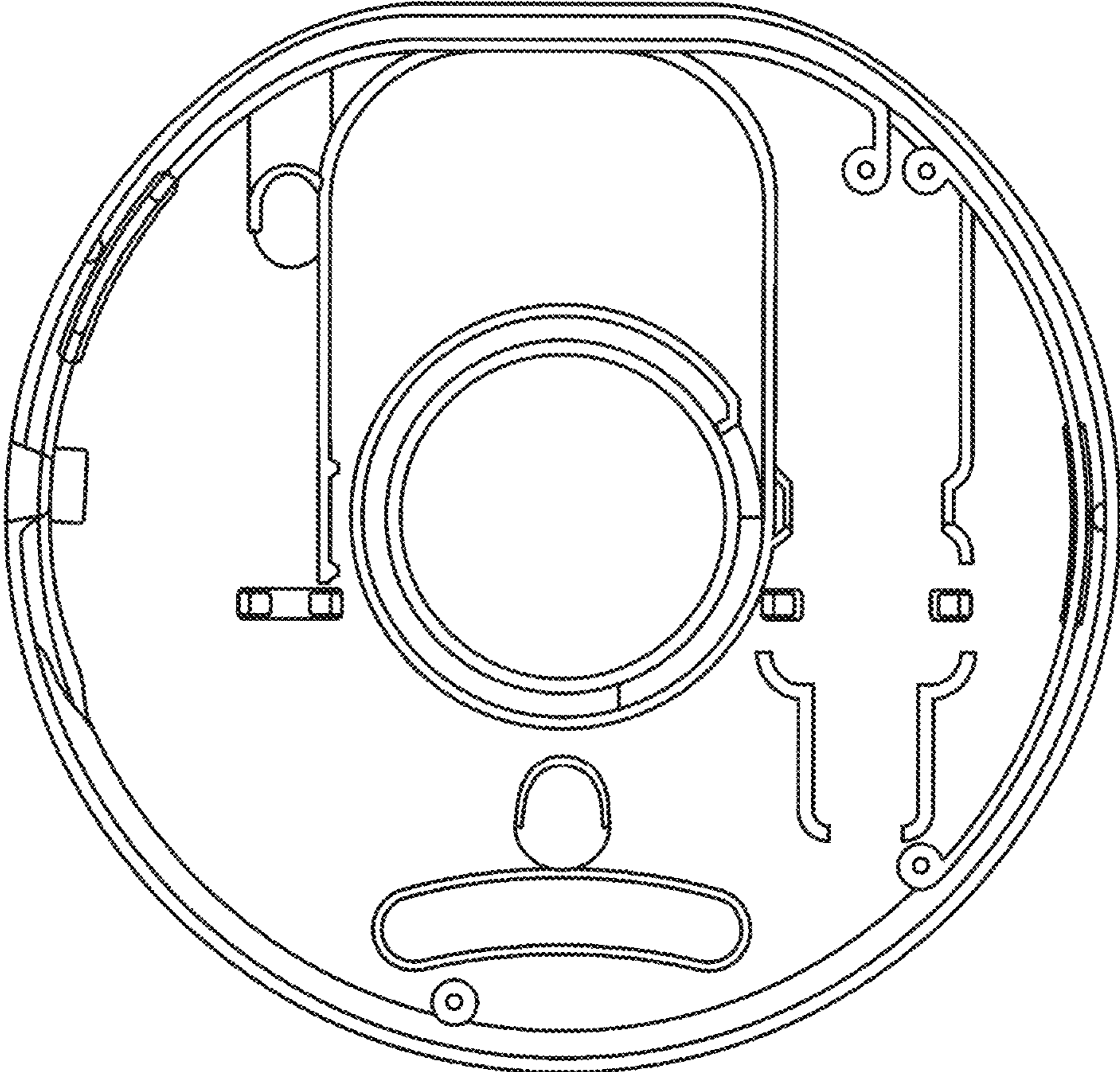


FIG. 2

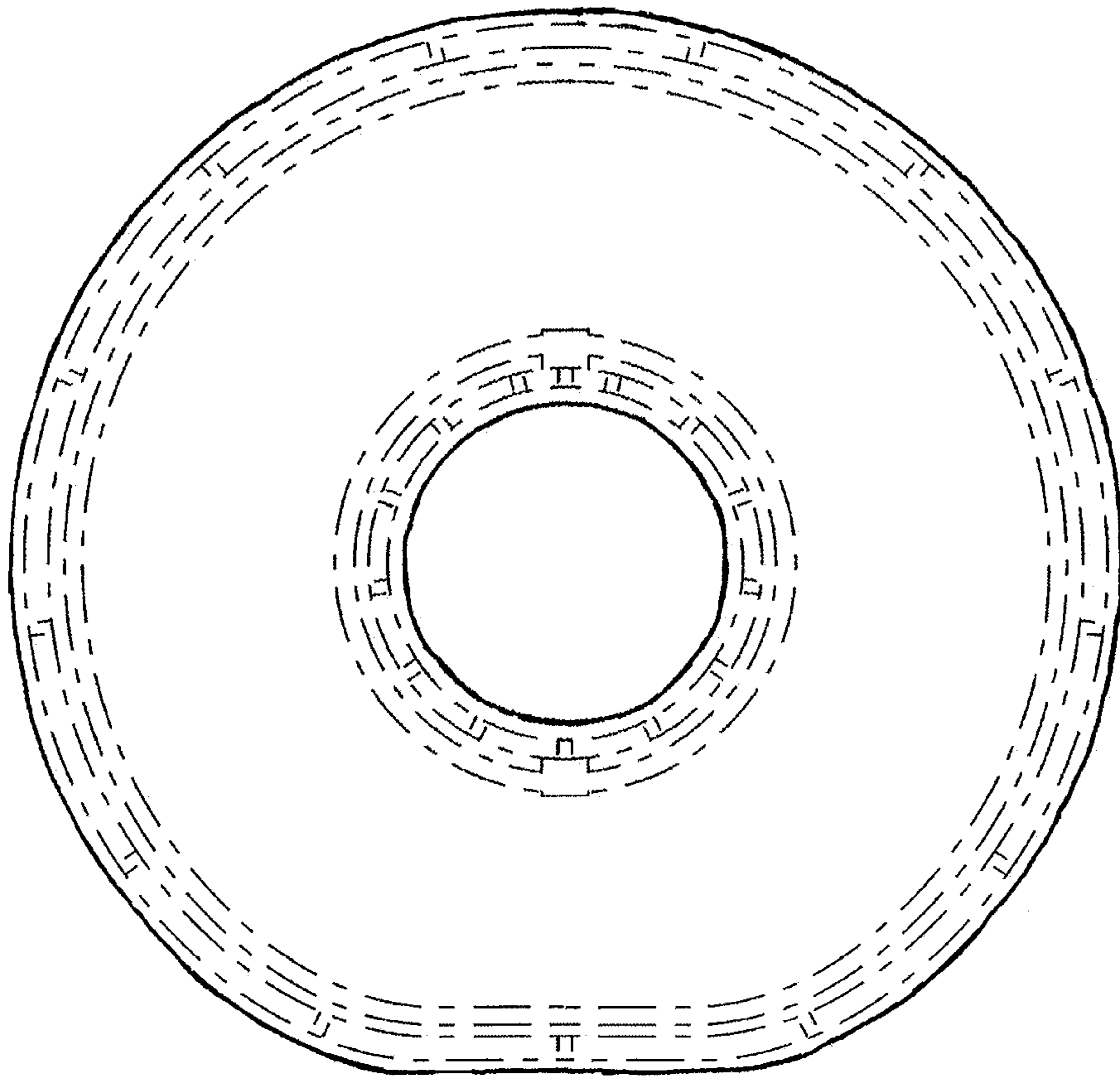


FIG. 3

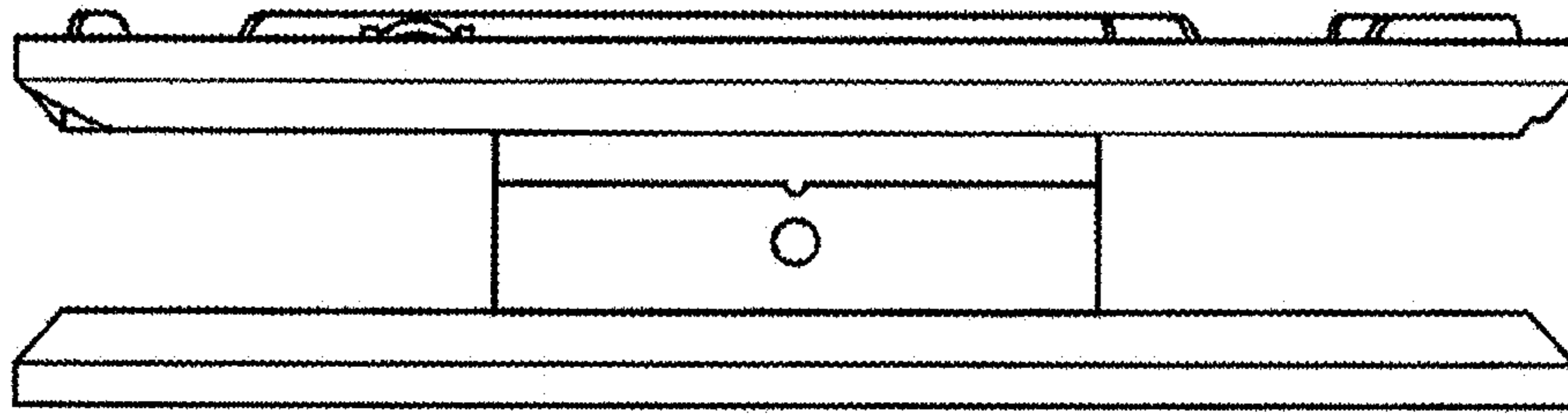


FIG. 4

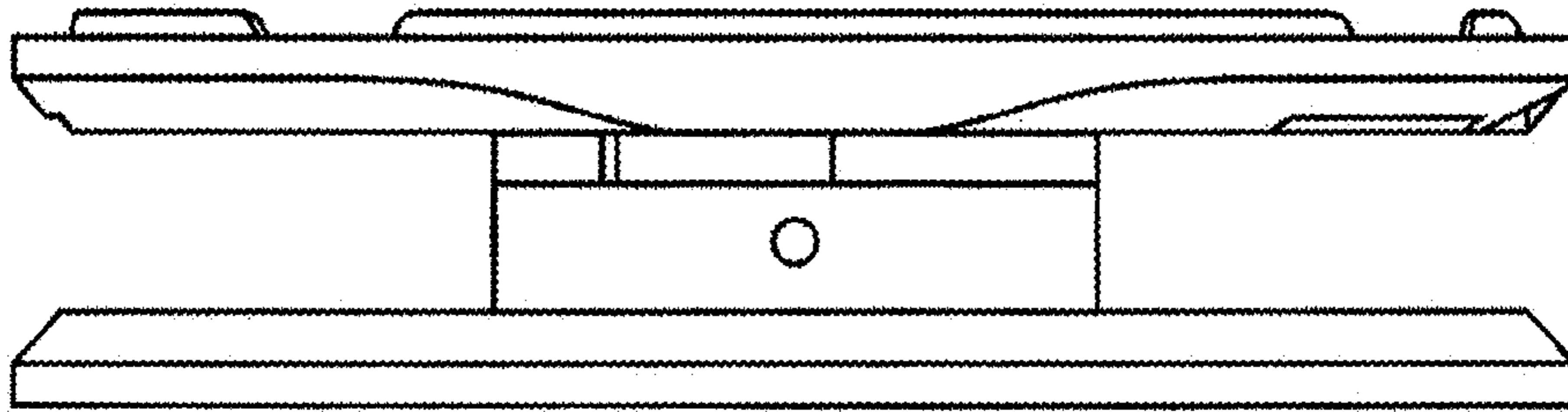


FIG. 5

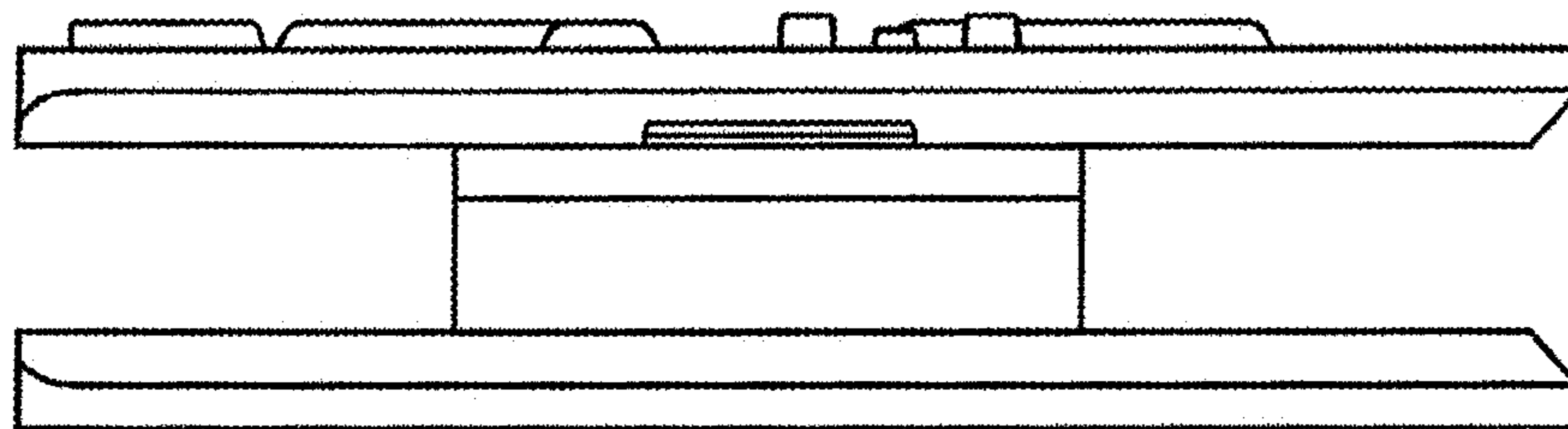


FIG. 6

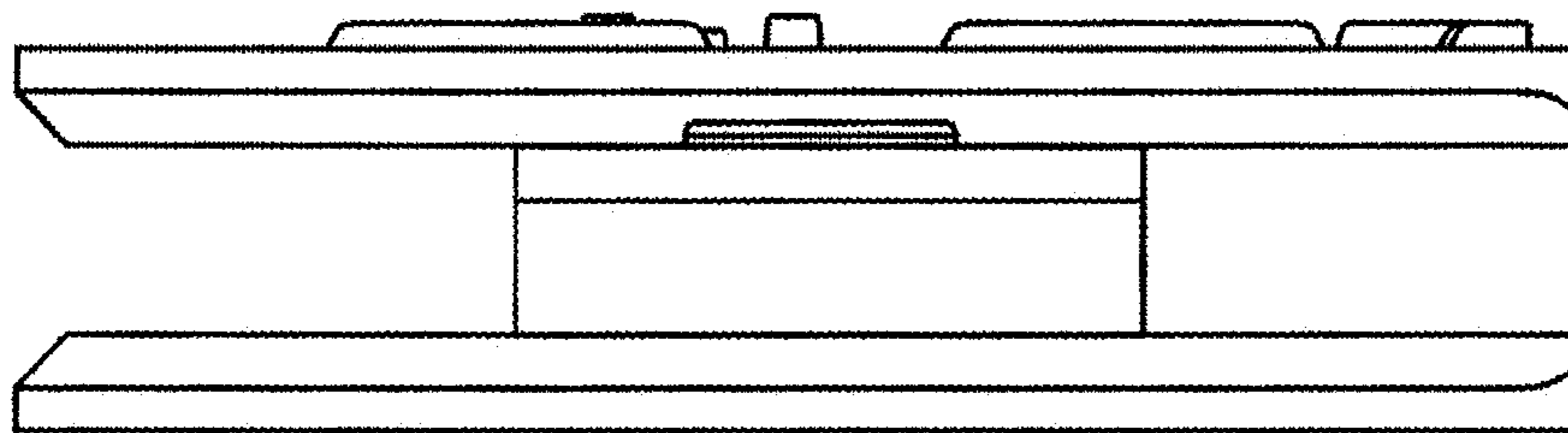


FIG. 7