



US00D831466S

(12) **United States Design Patent**
Lang et al.

(10) **Patent No.:** **US D831,466 S**
(45) **Date of Patent:** **** Oct. 23, 2018**

- (54) **FASTENING CLIP**
- (71) Applicant: **PIXLIP GMBH**, Langenfeld (DE)
- (72) Inventors: **Karl Lang**, Düsseldorf (DE); **Lars Backhaus**, Köln (DE)
- (**) Term: **15 Years**
- (21) Appl. No.: **35/503,710**
- (22) Filed: **Jul. 25, 2017**

D328,560 S *	8/1992	Evenson	D8/349
D432,901 S *	10/2000	McDonald	D8/354
D562,122 S *	2/2008	Leman	D23/386
D575,469 S *	8/2008	Rekart	D32/54
D606,384 S *	12/2009	Antonic	D8/354
D640,916 S *	7/2011	Sias	D8/382
D680,887 S *	4/2013	Dressel	D10/64
D737,140 S *	8/2015	Lindsay	D9/443
D741,701 S *	10/2015	McNeil	D8/356
D796,302 S *	9/2017	Bright	D8/354
D799,310 S *	10/2017	Bacallao	D8/382
D811,199 S *	2/2018	Bacallao	D8/349
D811,624 S *	2/2018	McGowan	D25/119
D811,625 S *	2/2018	McGowan	D25/119
D821,188 S *	6/2018	Smullen	D8/396

(80) **Hague Agreement Data**

Int. Filing Date: **Jul. 25, 2017**
 Int. Reg. No.: **DM/097681**
 Int. Reg. Date: **Jul. 25, 2017**
 Int. Reg. Pub. Date: **Sep. 29, 2017**

* cited by examiner

Primary Examiner — Darlington Ly

- (51) **LOC (11) Cl.** **08-08**
- (52) **U.S. Cl.**
USPC **D8/349; D8/354**

(57) **CLAIM**

The ornamental design for a fastening clip, as shown and described.

- (58) **Field of Classification Search**
USPC D8/349, 354, 355, 363, 373, 374, 380, D8/381; D14/238, 251, 447, 451
CPC F16M 11/00; F16M 11/02; F16M 11/04; F16M 11/06; F16M 11/20; F16B 2/00; A45F 5/10; A47B 23/04; G06F 1/1632
See application file for complete search history.

DESCRIPTION

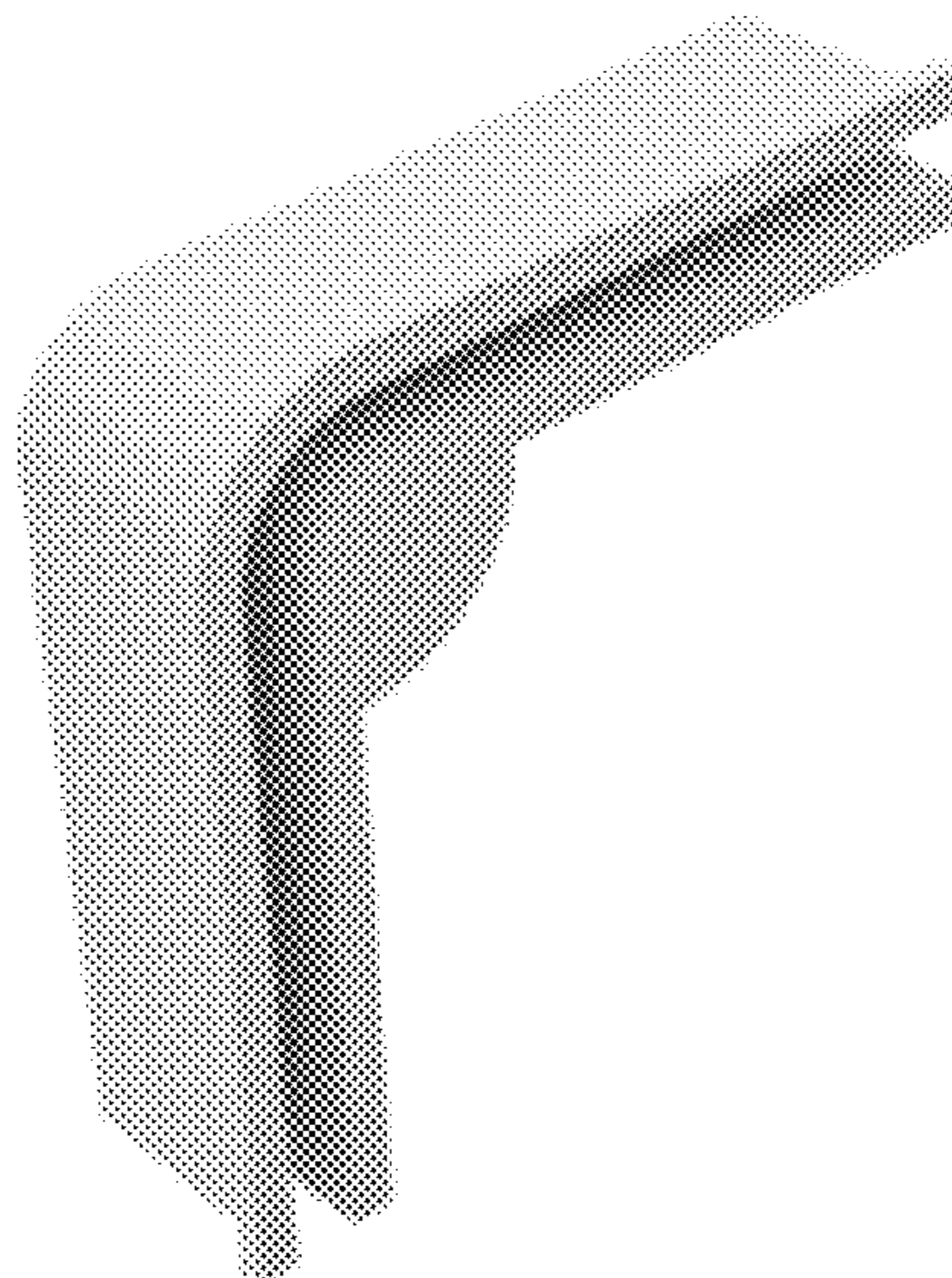
- 1.-2. Fastening clip
- 1.1** is a top, front, and left side perspective view of a fastening clip showing our new design in accordance to a first embodiment;
- 1.2** is a bottom and front perspective view thereof; and
- 1.3** is a top and front perspective view thereof.
- 2.1** is a top, front, and left side perspective view of a fastening clip showing our new design in accordance to a second embodiment;
- 2.2** is a bottom and front perspective view thereof; and
- 2.3** is a top and front perspective view thereof.

(56) **References Cited**

U.S. PATENT DOCUMENTS

- 3,940,857 A * 3/1976 Giordano G01B 3/00 33/528
- D315,316 S * 3/1991 Reynolds D10/64

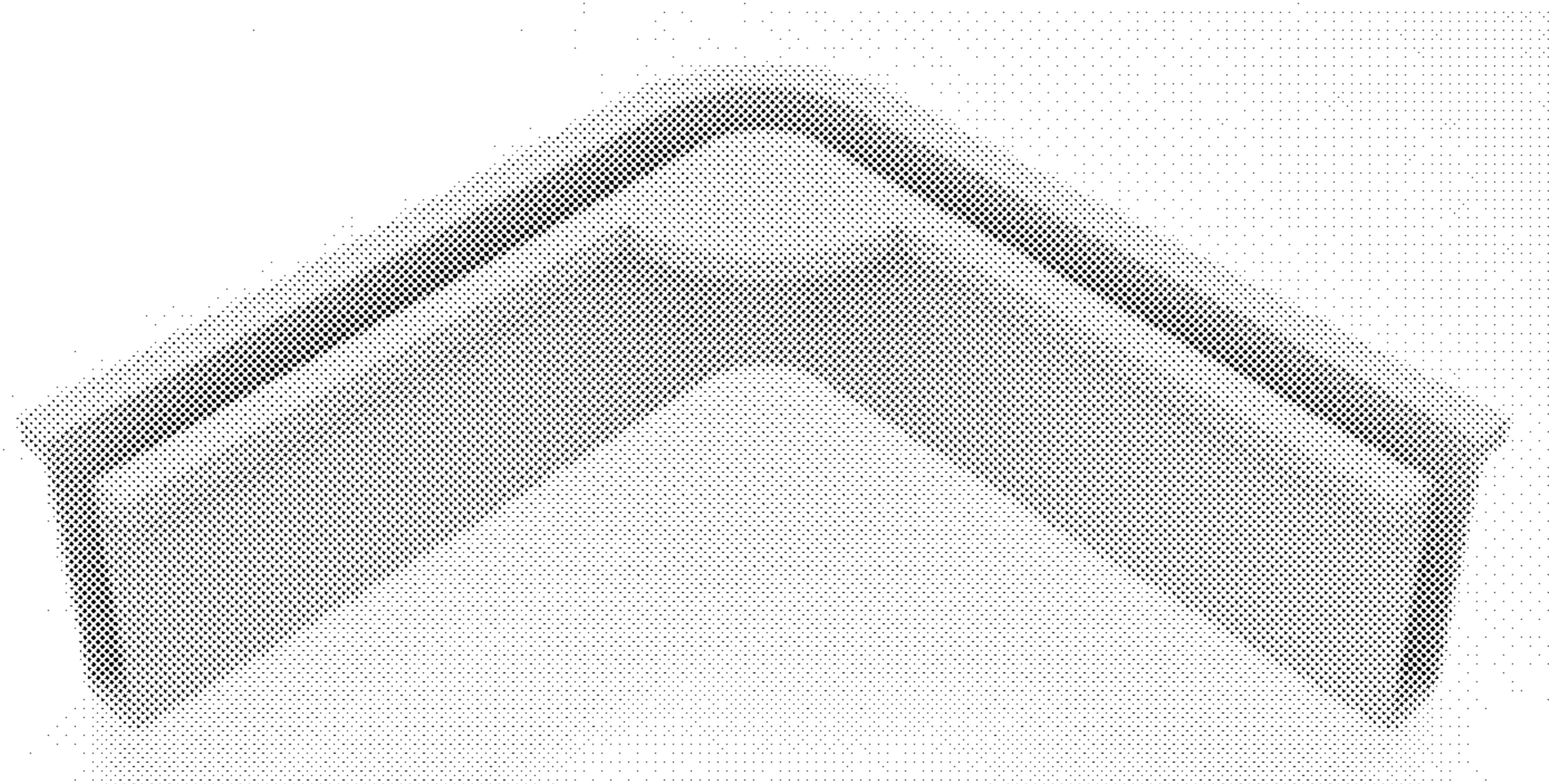
1 Claim, 6 Drawing Sheets



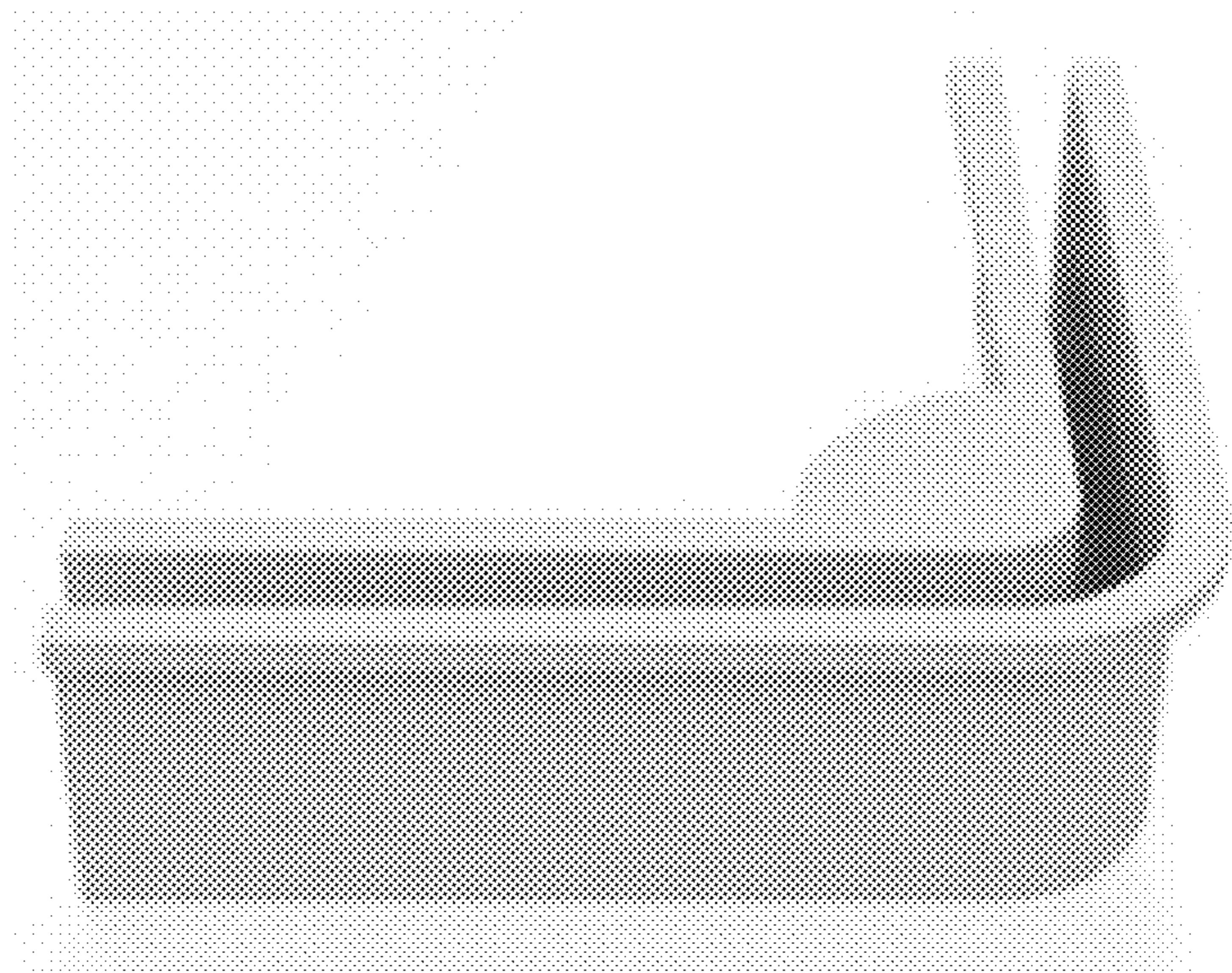
1.1



1.2



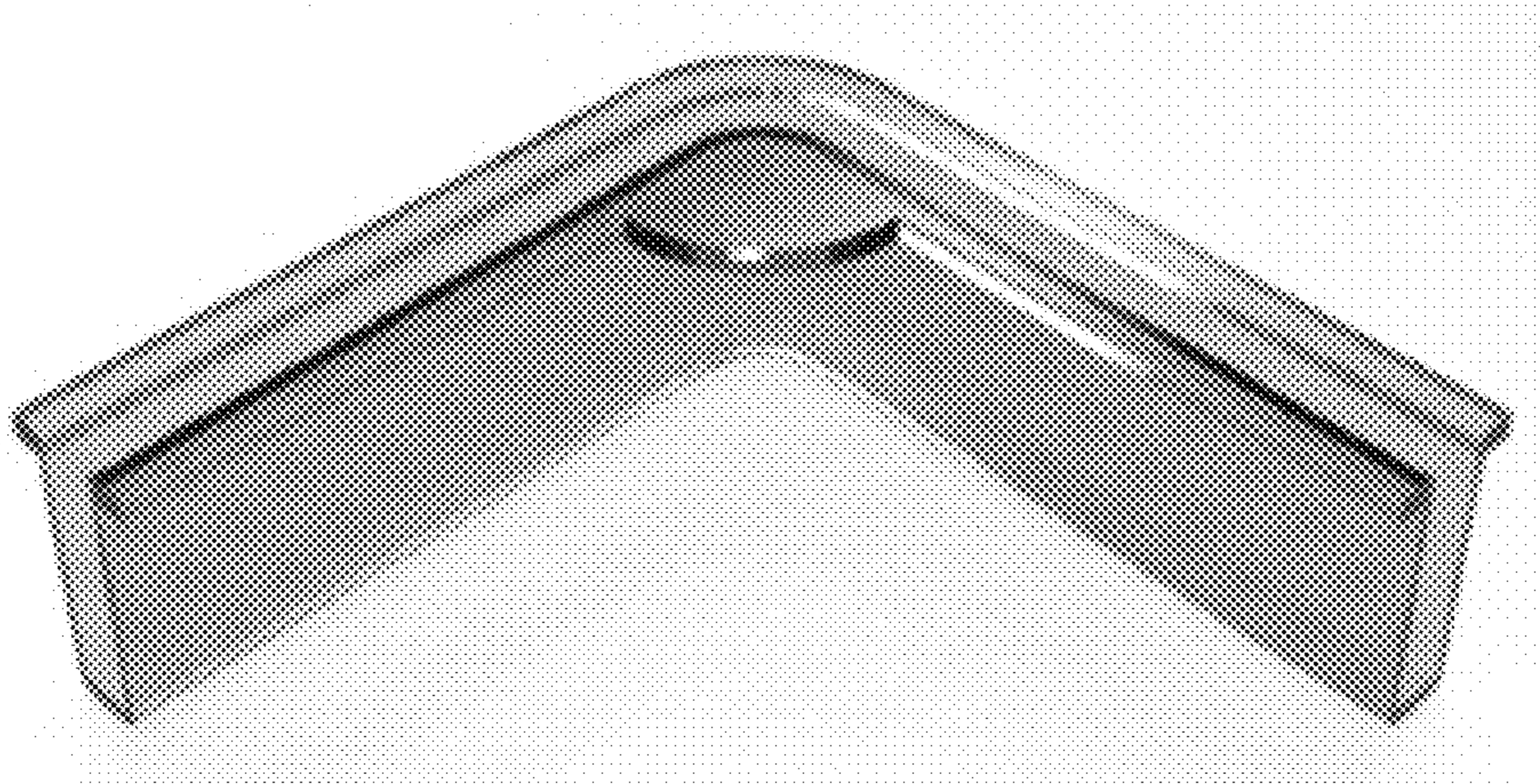
1.3



2.1



2.2



2.3

