



US00D831463S

(12) **United States Design Patent**
Granberg

(10) **Patent No.:** **US D831,463 S**

(45) **Date of Patent:** **** Oct. 23, 2018**

(54) **HANDLE BOSS BRACKET**

(71) Applicant: **Erik Granberg**, Pleasant Hill, CA (US)

(72) Inventor: **Erik Granberg**, Pleasant Hill, CA (US)

(**) Term: **15 Years**

(21) Appl. No.: **29/583,303**

(22) Filed: **Nov. 3, 2016**

(51) **LOC (11) Cl.** **08-08**

(52) **U.S. Cl.**
USPC **D8/349**

(58) **Field of Classification Search**
USPC D8/349, 354, 373, 380, 394
CPC G09F 17/00; G09F 2017/005; G09F
2017/0058

See application file for complete search history.

(56) **References Cited**

U.S. PATENT DOCUMENTS

2,151,768	A *	3/1939	Humeston	F41G 11/003 248/229.13
D269,786	S *	7/1983	Ostling	D15/143
D335,718	S *	5/1993	Maglica	D26/138
D367,069	S *	2/1996	Thom, Jr.	D15/143
D375,449	S *	11/1996	Dahlberg	D8/349
D396,799	S *	8/1998	Jones	D8/349
D447,045	S *	8/2001	Hundley	D25/114
D483,431	S *	12/2003	Squillante	D22/109
D494,450	S *	8/2004	Schultz	D8/356
D504,304	S *	4/2005	Hancock	D12/223
D522,348	S *	6/2006	Hansen	D8/354
7,191,988	B2 *	3/2007	Kim	F16L 3/085 248/229.2

D542,405	S *	5/2007	Esjunin	D23/422
D547,637	S *	7/2007	Blacker	D8/354
D578,057	S *	10/2008	Frenock	D11/182
7,461,431	B2 *	12/2008	Zoroufy	A47G 27/065 16/10
D615,847	S *	5/2010	Tezak	D8/349
D616,276	S *	5/2010	Friegang	D8/72
D629,920	S *	12/2010	Tezak	D25/114
D659,517	S *	5/2012	McGrath	D8/355
D687,698	S *	8/2013	Machijima	D8/354
D690,190	S *	9/2013	McGrath	D8/394
D702,532	S *	4/2014	Garrido	D8/354
D761,096	S *	7/2016	Pace	D8/382
D762,110	S *	7/2016	Olson	D8/394
D789,257	S *	6/2017	Bucher	D12/133
D795,754	S *	8/2017	Zellers, Sr.	D12/133

* cited by examiner

Primary Examiner — Mark A Goodwin

(74) *Attorney, Agent, or Firm* — Kevin Roe

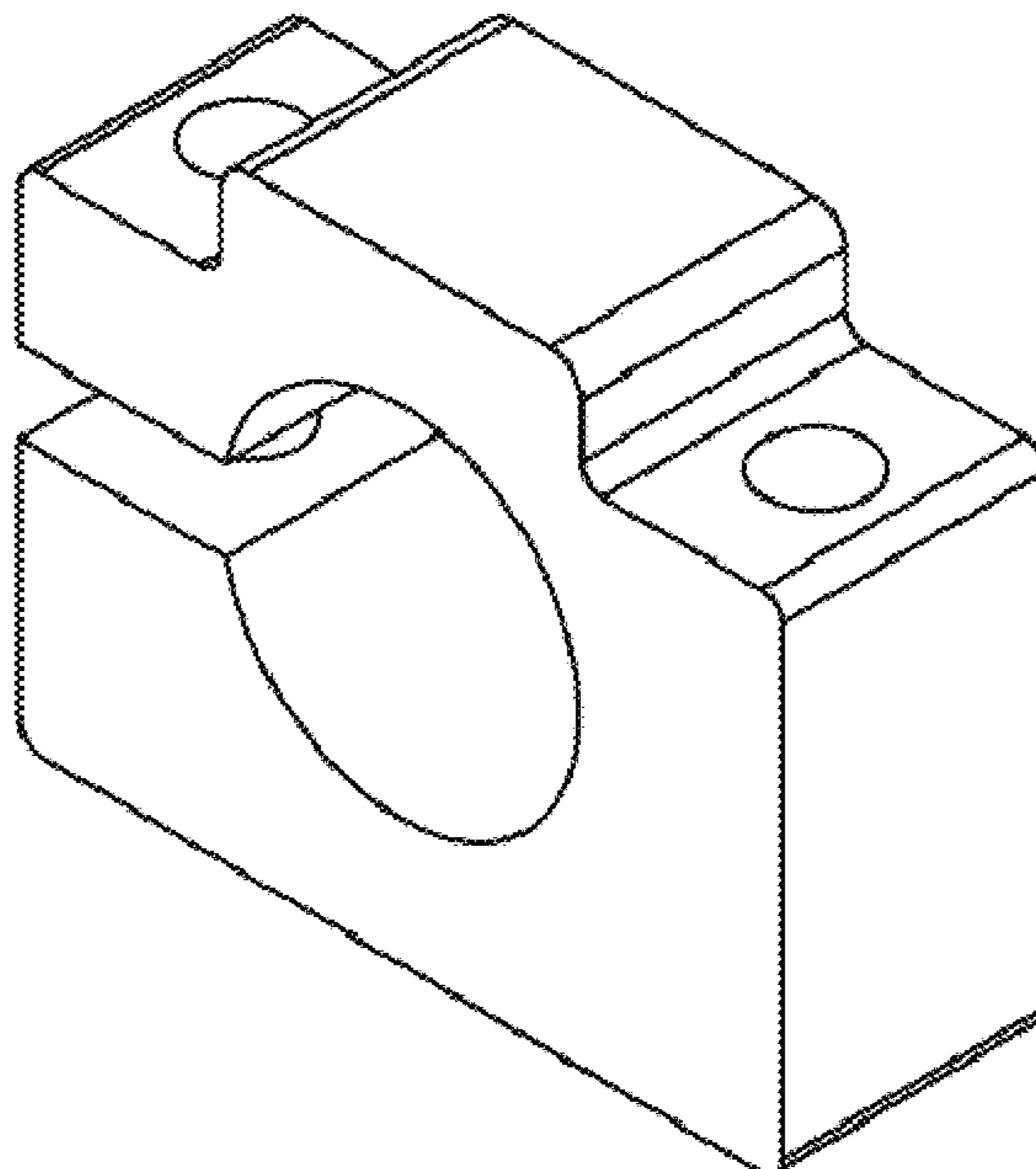
(57) **CLAIM**

The ornamental design for a handle boss bracket, as shown and described.

DESCRIPTION

FIG. 1 is a front view of a handle boss bracket showing my new design;
FIG. 2 is a left side view thereof;
FIG. 3 is a right side view thereof;
FIG. 4 is a rear view thereof;
FIG. 5 is a top front-left angled isometric view thereof;
FIG. 6 is a bottom rear-left angled isometric view thereof;
FIG. 7 is a top-down view thereof; and,
FIG. 8 is a bottom-up view of a handle boss bracket.

1 Claim, 8 Drawing Sheets



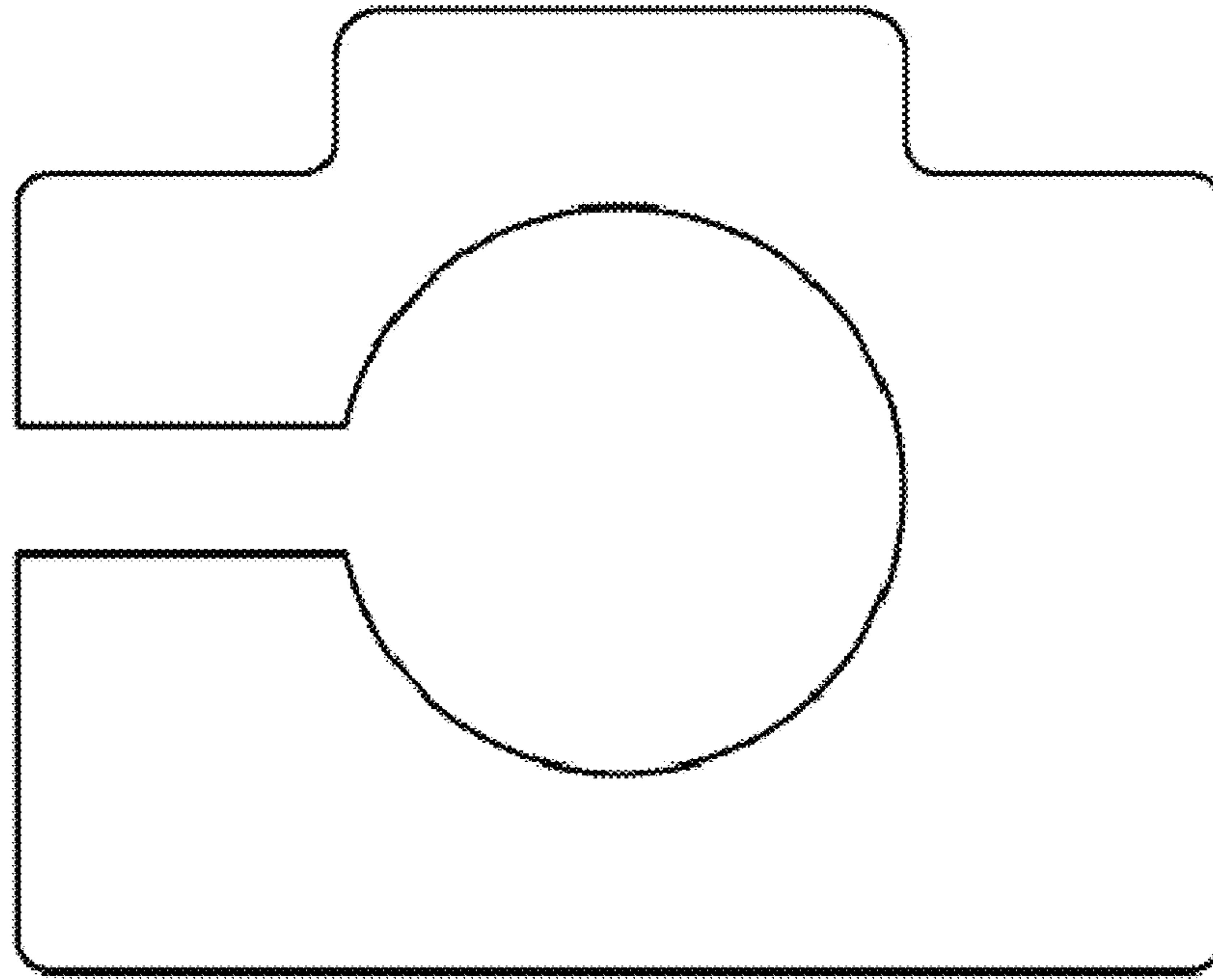


FIG. 1

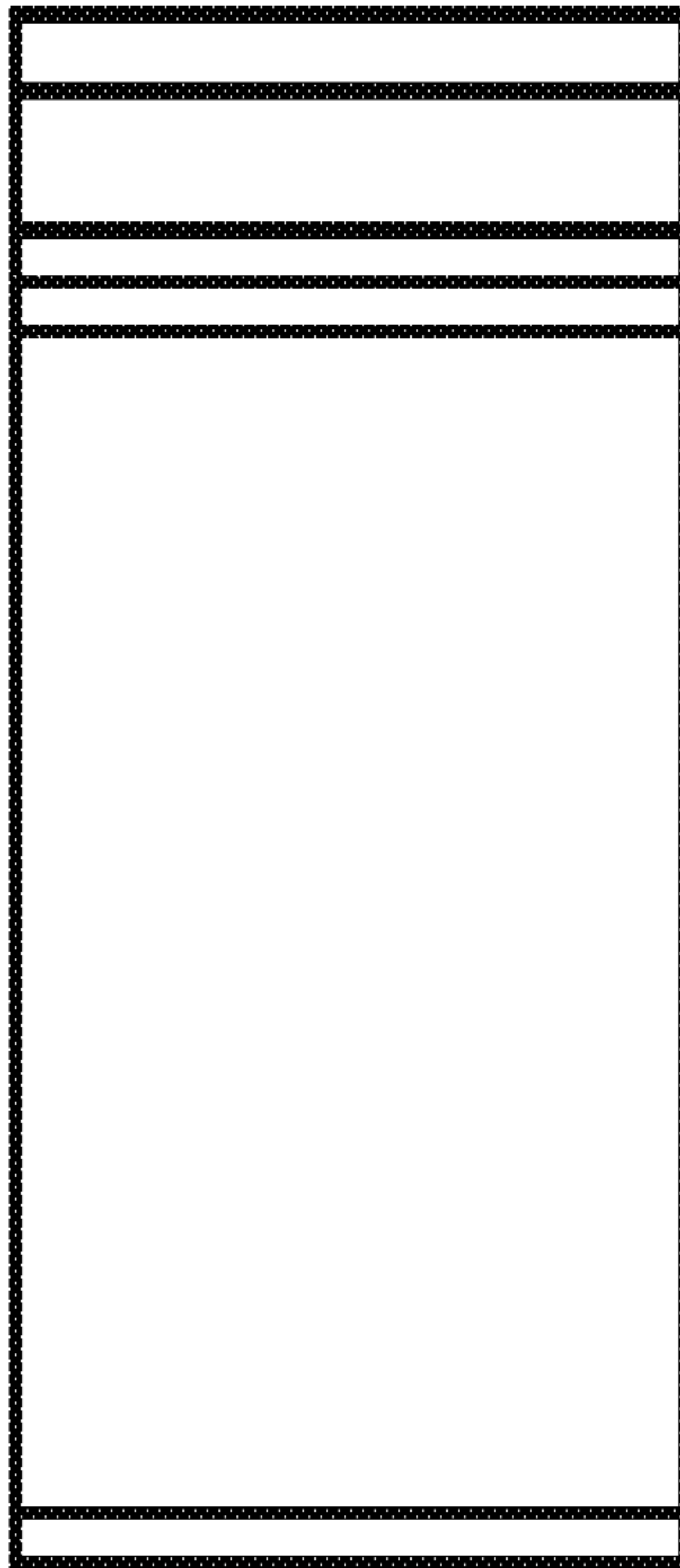


FIG. 2

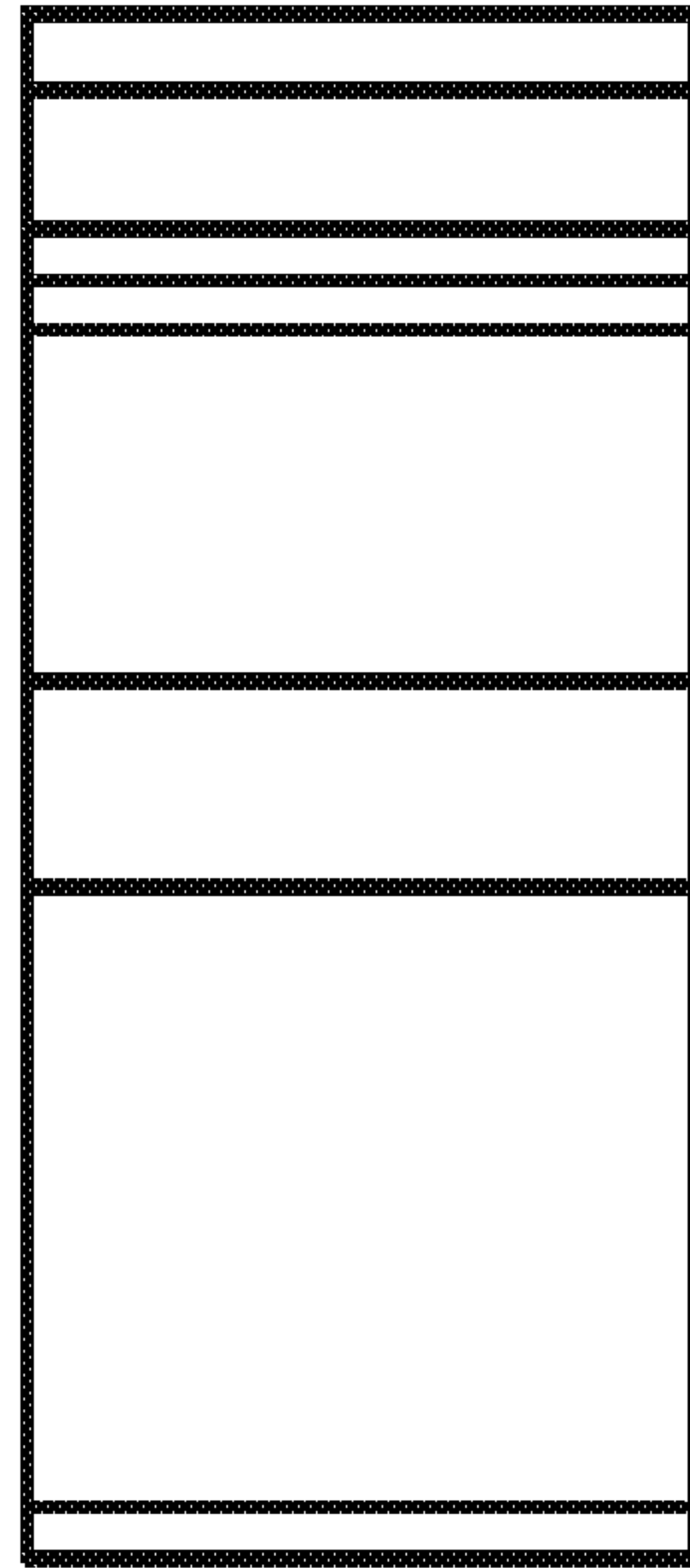


FIG. 3

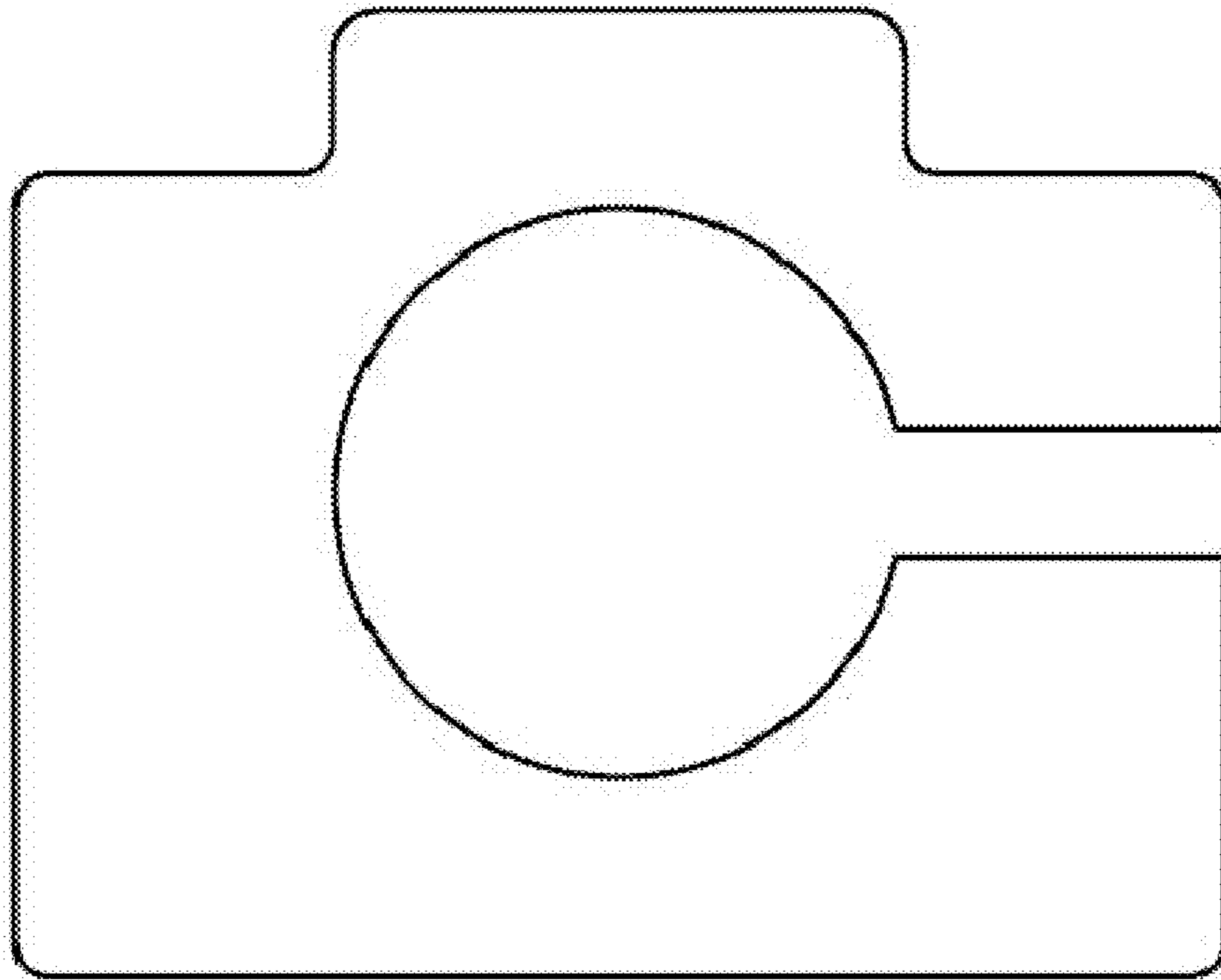


FIG. 4

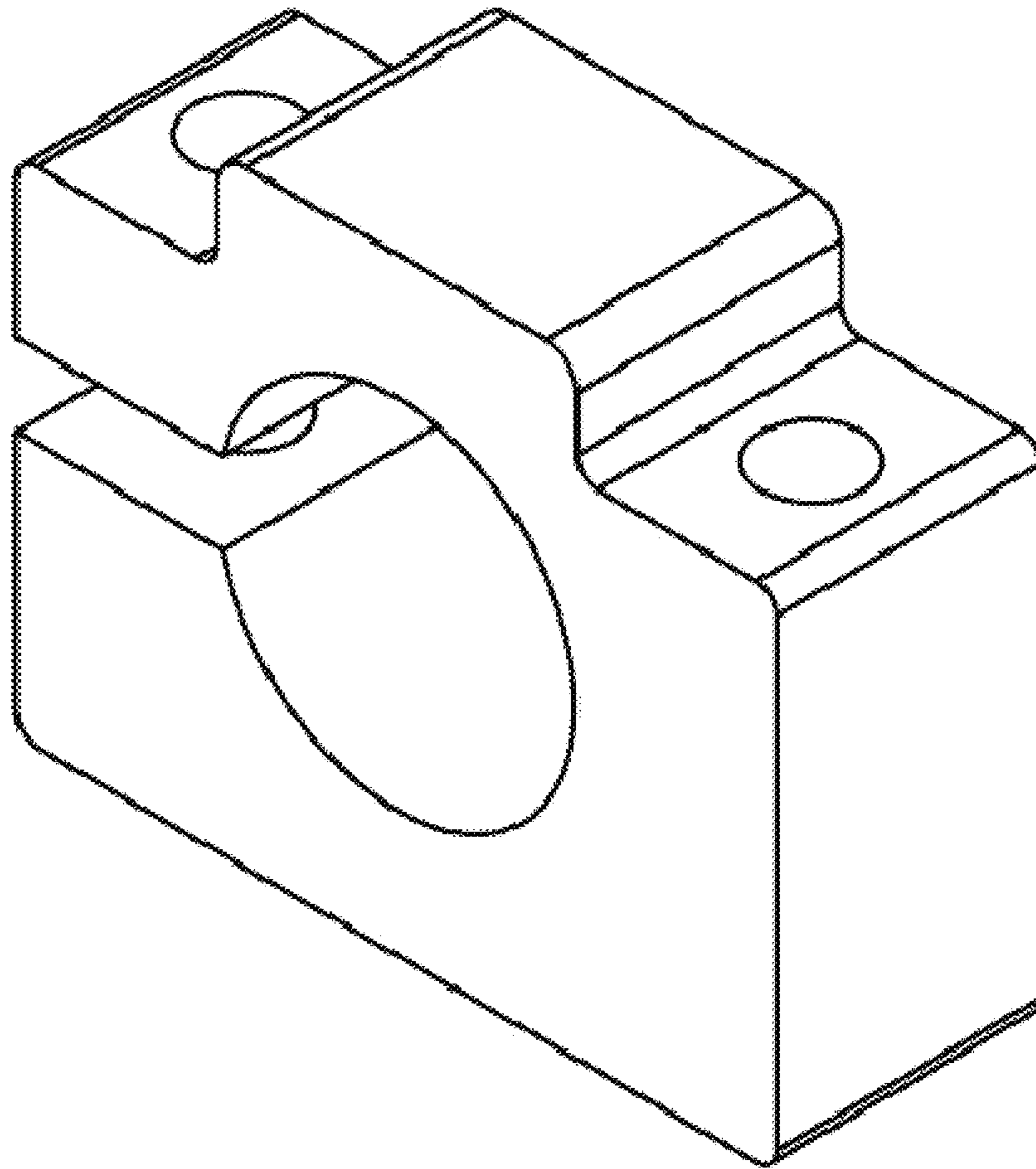


FIG. 5

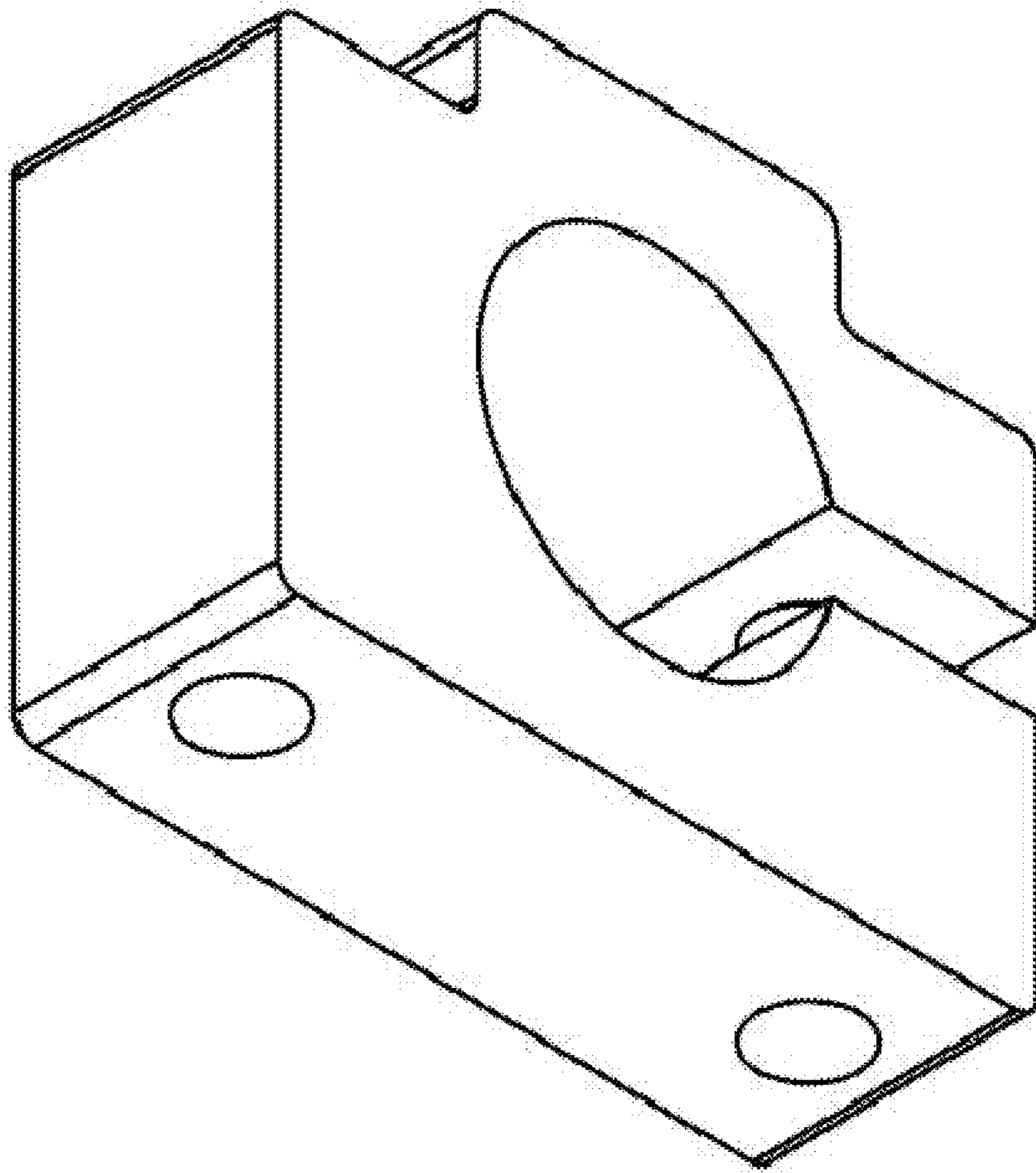


FIG. 6



FIG. 7

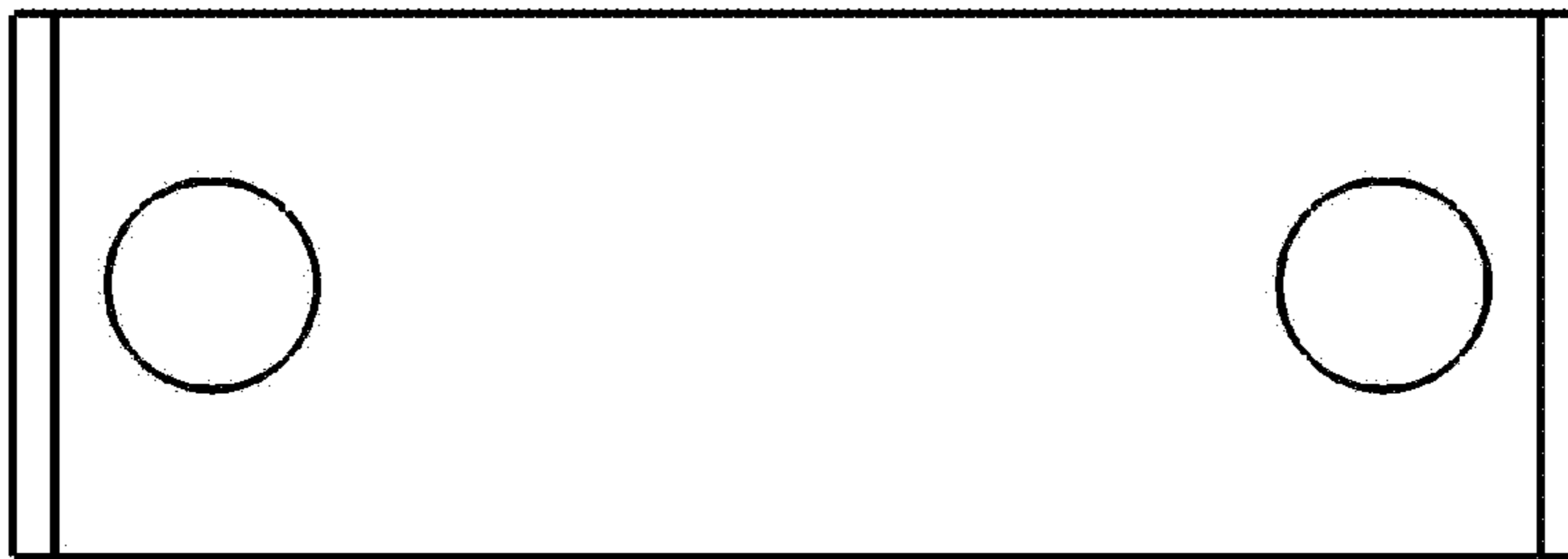


FIG. 8