



US00D831462S

(12) **United States Design Patent** (10) **Patent No.:** **US D831,462 S**
McSweyn et al. (45) **Date of Patent:** **** Oct. 23, 2018**

(54) **BEZEL FOR MAGNETIC MOUNTING SYSTEM**
(71) Applicant: **SCOSCHE INDUSTRIES, INC.**, Oxnard, CA (US)
(72) Inventors: **Christopher Michael McSweyn**, Oxnard, CA (US); **Vince Alves**, Oxnard, CA (US); **Mark Larson**, Camarillo, CA (US)
(73) Assignee: **Scosche Industries, Inc.**, Oxnard, CA (US)
(**) Term: **15 Years**
(21) Appl. No.: **29/544,141**
(22) Filed: **Oct. 30, 2015**
(51) **LOC (11) Cl.** **08-08**
(52) **U.S. Cl.**
USPC **D8/349**; D14/253
(58) **Field of Classification Search**
USPC D8/16, 19, 349, 354, 355, 363, 364, 366, D8/370-373, 376, 380, 381, 382, D8/384-386, 396; D6/553, 550, 323, D6/554, 555, 512, 327, 324, 567, 566; D23/223, 238, 252, 257; D11/208; D20/15, 41, 42; D12/415; D25/38.1, 39, D25/43; D3/210, 228; D13/133, D13/146-148, 154, 184, 199; D14/251, D14/224
CPC B60R 11/0241; B60R 2011/0063; B60R 2011/007; B60R 2011/0005; B60R 2011/0008; B60R 2011/0021; B60R 2011/0054; B60R 2011/0056; B60R 2011/0059; B60R 2011/0061; H04M 1/04
See application file for complete search history.

D306,396 S 3/1990 Brushaber
D317,697 S 6/1991 Lage
D327,840 S 7/1992 Askew
5,213,240 A 5/1993 Dietz et al.
D362,230 S 9/1995 Yokozawa
D362,657 S 9/1995 Tomikawa et al.
5,992,807 A 11/1999 Tarulli
6,075,499 A 6/2000 Edwards et al.
6,076,790 A 6/2000 Richter
(Continued)

OTHER PUBLICATIONS

The Original iMagnet Cradle-Less Universal Car Phone Windsheild Dashboard Mount Holder for iPhone 6, 6 Plus, 6S, 6S Plus, 5S 5, Galaxy S6 S5, Note 5 4 3, With Offical iMagnet Logo, iMagnet, Amazon.com, Aug. 19, 2012.

Primary Examiner — Janice Hallmark
Assistant Examiner — Eliza Z Bennett-Hattan
(74) *Attorney, Agent, or Firm* — Stetina Brunda Garred & Brucker

(57) **CLAIM**

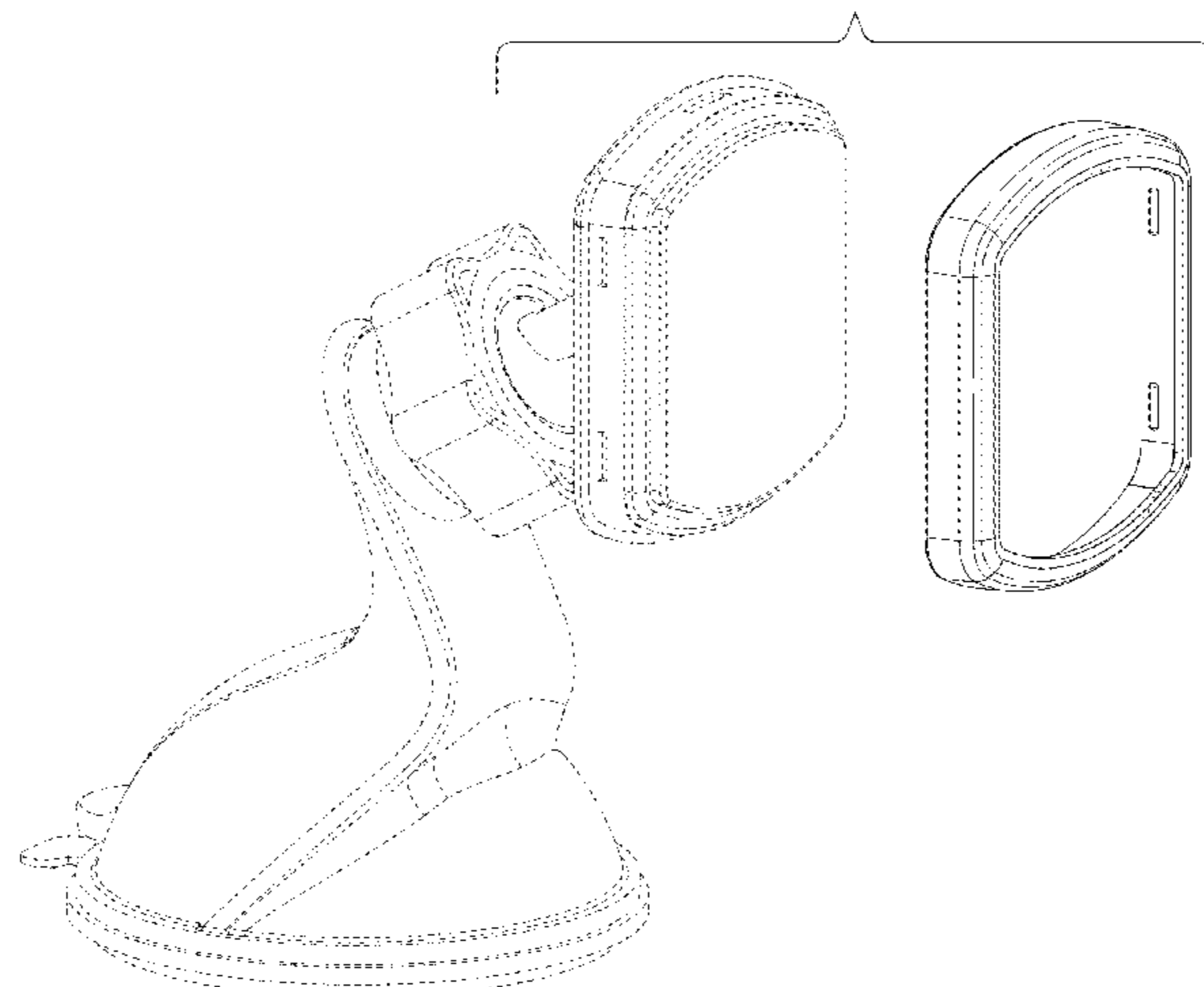
The ornamental design for a bezel for magnetic mounting system, as shown and described.

DESCRIPTION

FIG. 1 is a front perspective view of a bezel for magnetic mounting system showing our new design; FIG. 2 is a back perspective view thereof; FIG. 3 is a top plan view thereof; FIG. 4 is a left side view thereof; FIG. 5 is a front view thereof; FIG. 6 is right side view thereof; FIG. 7 is a bottom view thereof; and, FIG. 8 is a rear view thereof.
The broken lines in FIG. 1 depict environmental subject matter only and form no part of the claimed design.

1 Claim, 2 Drawing Sheets

(56) **References Cited**
U.S. PATENT DOCUMENTS
3,329,277 A 7/1967 Gaudino
3,642,122 A 2/1972 Ende



(56)

References Cited

U.S. PATENT DOCUMENTS

6,135,408 A *	10/2000	Richter	B60R 11/00	D638,008 S *	5/2011	Richter	D14/253
				224/183	8,016,255 B2	9/2011	Lin		
6,149,116 A	11/2000	Won			D654,874 S	2/2012	Au		
6,305,656 B1 *	10/2001	Wemyss	A47G 23/0216	D656,465 S	3/2012	Au		
				206/5	D656,899 S	4/2012	Webb et al.		
6,382,482 B1	5/2002	Chao			D670,157 S	11/2012	Mo		
6,502,727 B1	1/2003	Decoteau			D671,074 S	11/2012	Hori et al.		
D479,196 S	9/2003	Shih			D677,709 S	3/2013	Skeoch et al.		
D489,578 S	5/2004	Lai			D681,867 S	5/2013	Wegger et al.		
6,888,940 B1	5/2005	Deppen			D686,595 S	7/2013	Andre et al.		
7,021,593 B1	4/2006	Fan			8,496,222 B2	7/2013	Li		
D521,850 S	5/2006	Richter et al.			D687,441 S	8/2013	Jansen		
D530,333 S	10/2006	Richter			D694,249 S	11/2013	Akana et al.		
D543,439 S	5/2007	Brassard			D700,175 S	2/2014	Ohm		
D551,058 S	9/2007	Carnevali			D705,211 S	5/2014	Huang		
D552,454 S	10/2007	Fynn			D709,066 S	7/2014	Byun		
D553,959 S	10/2007	Brassard			D709,072 S	7/2014	Askew-Harris et al.		
D554,042 S	10/2007	Richter			D713,398 S	9/2014	Alesi et al.		
D554,491 S	11/2007	Stenberg et al.			D715,132 S *	10/2014	McSweyn	D8/363
7,296,771 B2	11/2007	Kalis et al.			D718,612 S *	12/2014	McSweyn	D8/363
D560,592 S	1/2008	Brassard			D719,959 S	12/2014	Vogel		
D563,309 S *	3/2008	Richter	D12/415	D739,708 S *	9/2015	McSweyn	D8/349
D565,937 S	4/2008	Tsai			D778,713 S *	2/2017	McSweyn	D12/415
7,374,142 B2	5/2008	Carnevali			D778,714 S *	2/2017	McSweyn	D12/415
D570,836 S	6/2008	Chen			D790,960 S *	7/2017	McSweyn	D12/415
D576,865 S	9/2008	Chiang et al.			D804,413 S *	12/2017	McSweyn	D13/108
7,431,251 B2	10/2008	Carnevali			2005/0092875 A1	5/2005	Carnevali		
D588,903 S	3/2009	Carnevali			2006/0290654 A1	12/2006	Wang		
D590,835 S	4/2009	Richter			2007/0018064 A1	1/2007	Wang		
D592,205 S	5/2009	O'Brien			2008/0023606 A1	1/2008	Kalis et al.		
D600,991 S	9/2009	Lai			2011/0192857 A1	8/2011	Rothbaum et al.		
D603,322 S	11/2009	Nicieja			2012/0229300 A1	9/2012	Fu		
D609,644 S	2/2010	Lin			2012/0292463 A1	11/2012	Burns		
					2013/0187020 A1	7/2013	Trotsky		
					2014/0346295 A1	11/2014	Song		

* cited by examiner

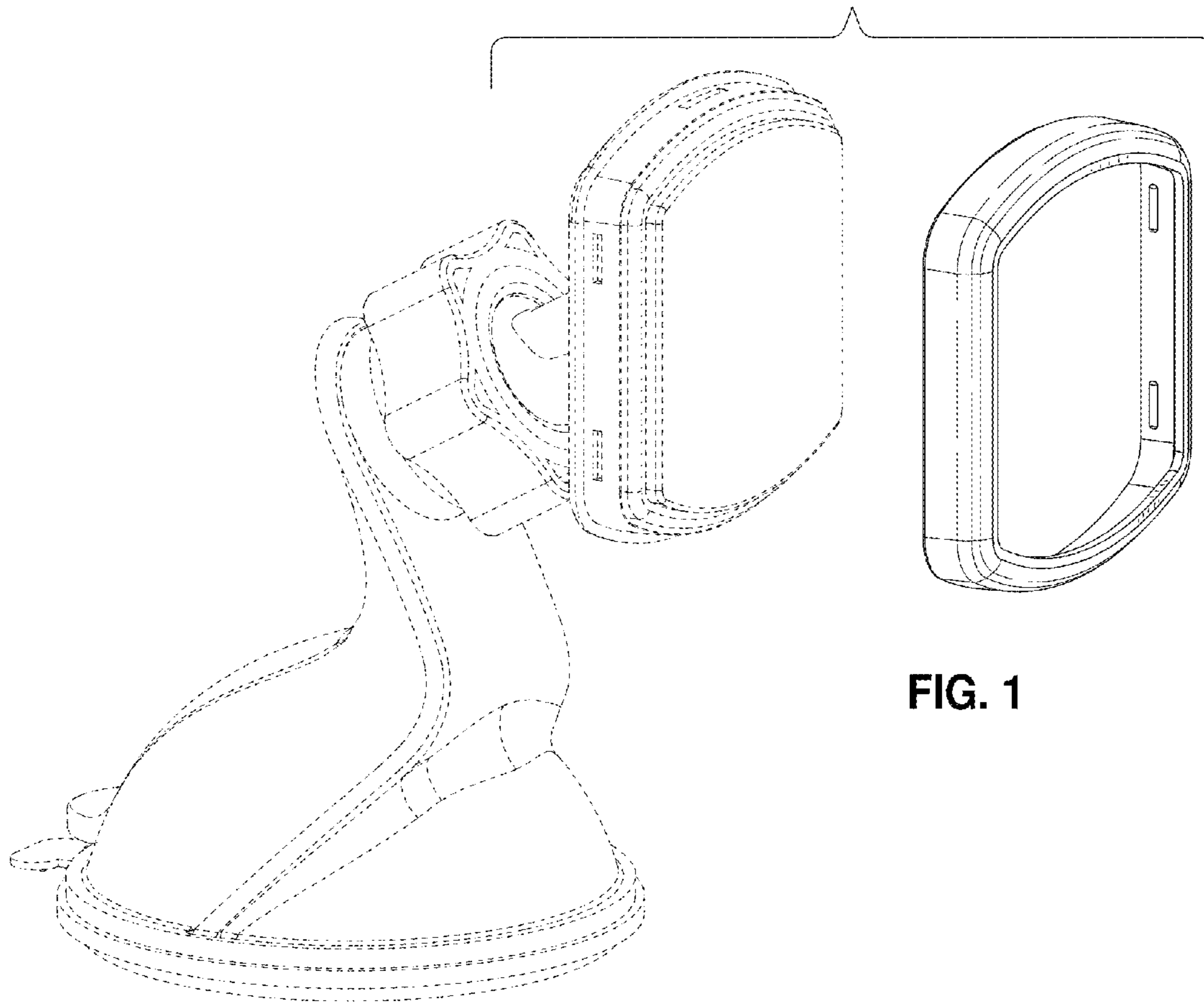


FIG. 1

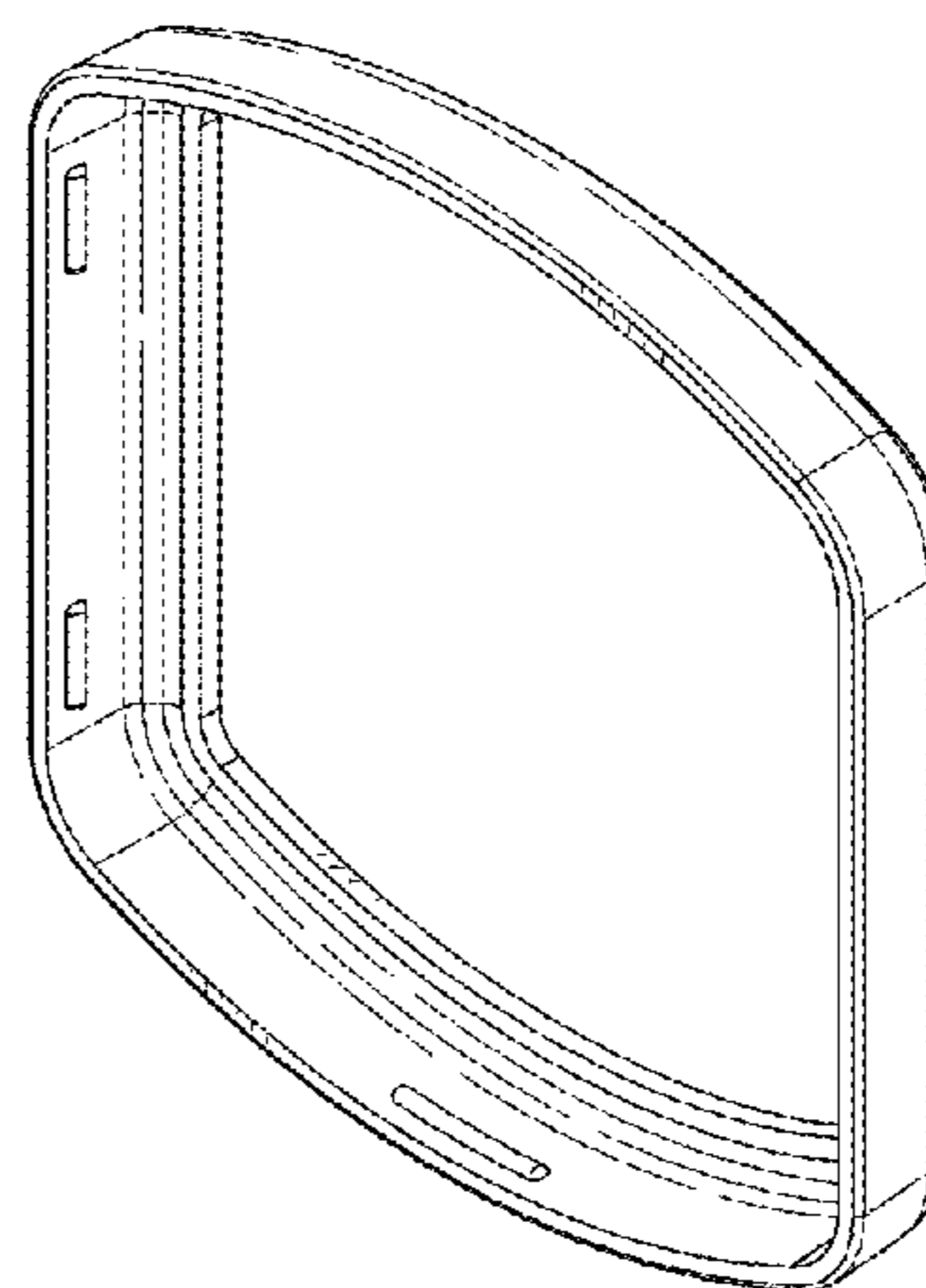


FIG. 2

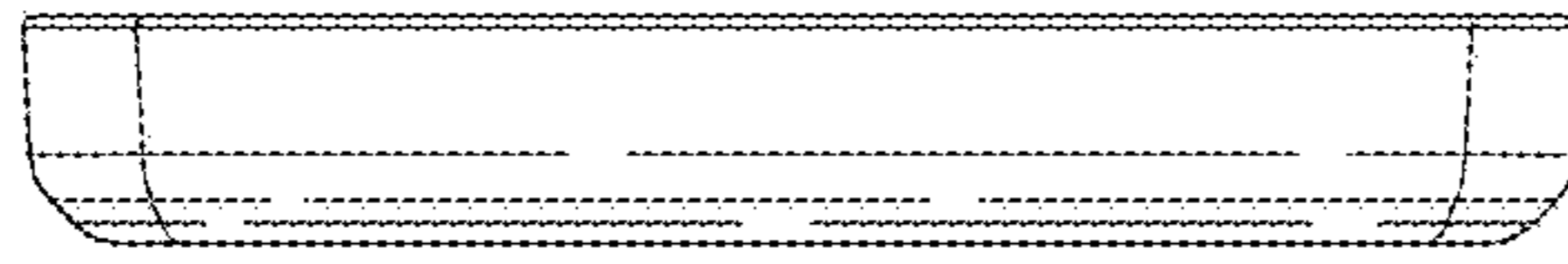


FIG. 3

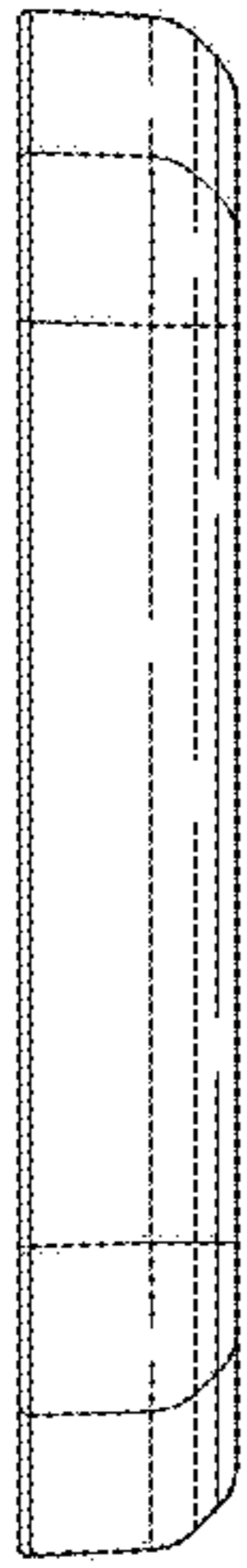


FIG. 4

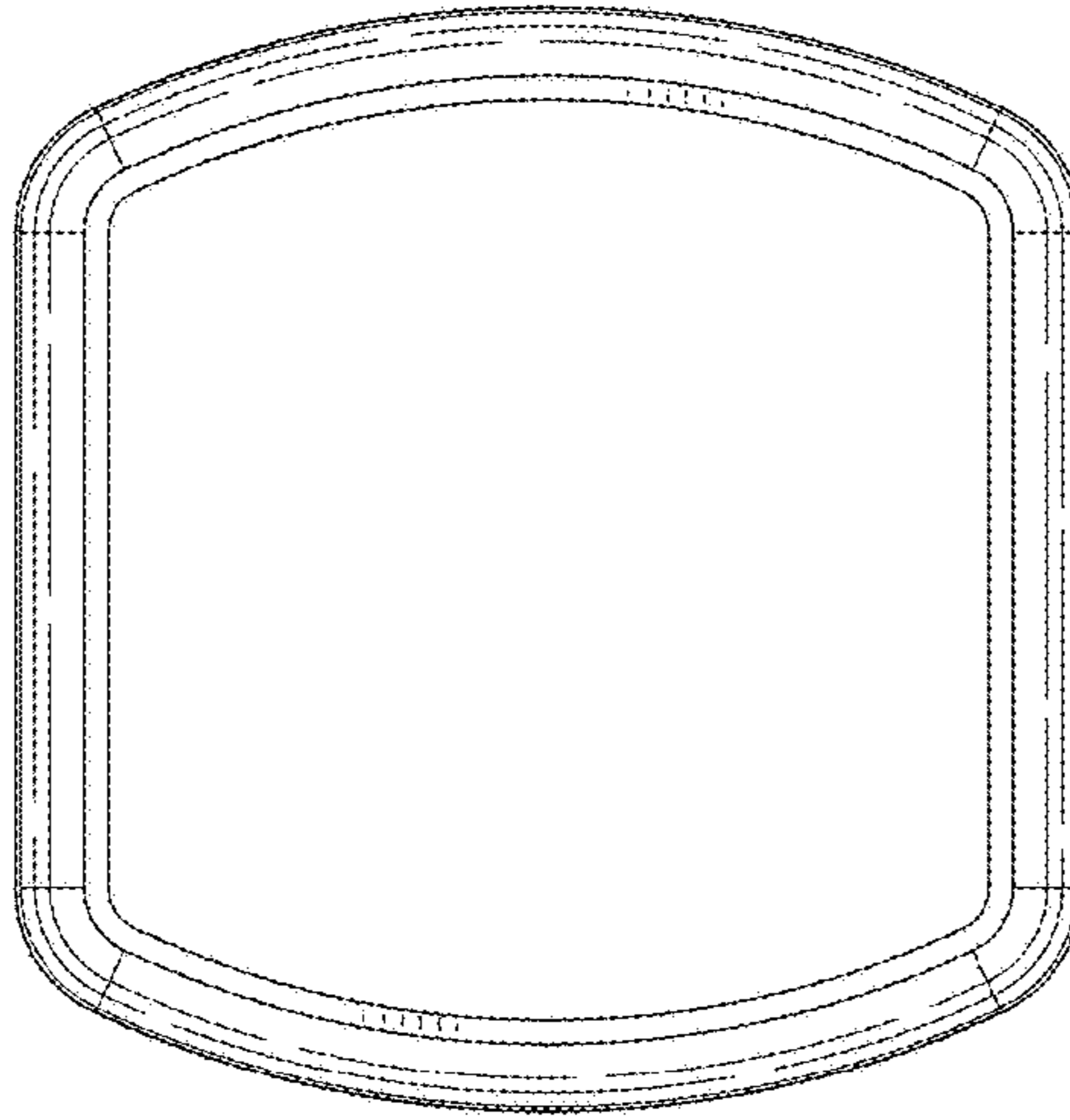


FIG. 5

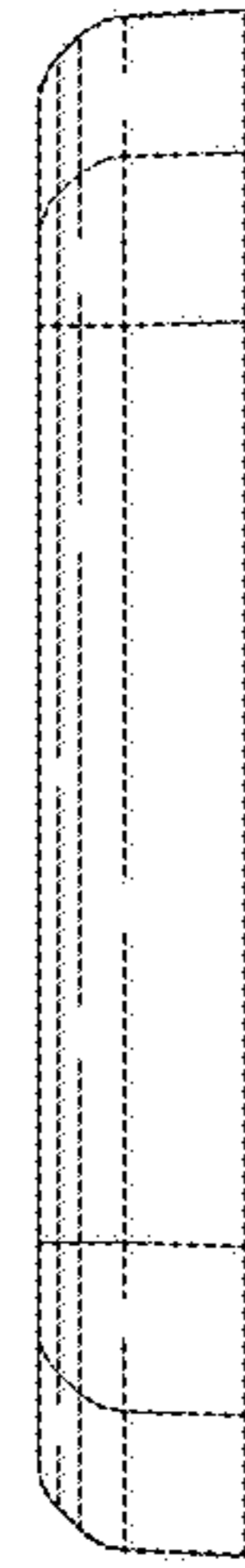


FIG. 6

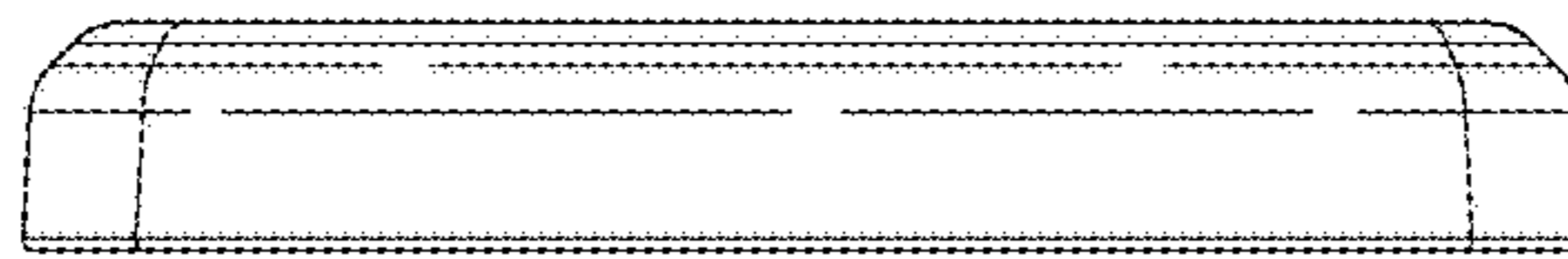


FIG. 7

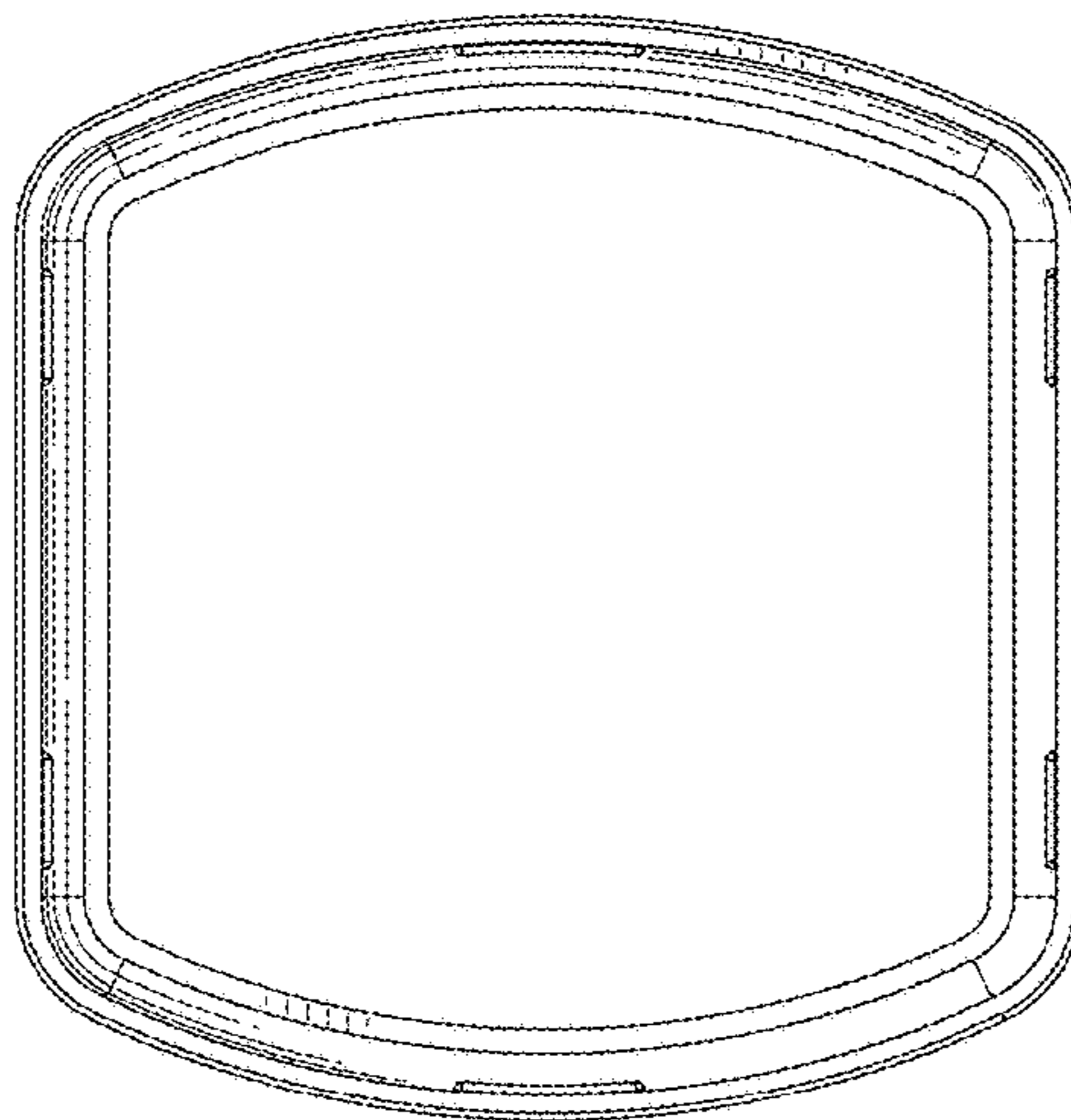


FIG. 8