



US00D831461S

(12) **United States Design Patent** (10) **Patent No.:** **US D831,461 S**  
**Jarrett** (45) **Date of Patent:** **\*\* Oct. 23, 2018**

(54) **CORD LOCK**

(71) Applicant: **Charissa Ann Jarrett**, San Antonio, TX (US)

(72) Inventor: **Charissa Ann Jarrett**, San Antonio, TX (US)

(\*\*) Term: **15 Years**

(21) Appl. No.: **29/621,612**

(22) Filed: **Oct. 10, 2017**

(51) **LOC (11) Cl.** ..... **08-07**

(52) **U.S. Cl.**  
USPC ..... **D8/333**

(58) **Field of Classification Search**  
USPC ..... D8/300-302, 331, 382, 383, 356, 394, D8/395, 396, 333; D11/212, 215; 24/115 G, 115 M, 136 R; D2/978  
CPC .... F16G 11/101; F16G 11/105; F16G 11/106; A43C 7/04; A43C 1/00; A44B 11/06; A45D 8/34

See application file for complete search history.

(56) **References Cited**

**U.S. PATENT DOCUMENTS**

3,074,135	A	1/1963	Di Lorenzo	
5,361,461	A	11/1994	Anscher	
5,778,904	A	7/1998	Elsner	
6,026,548	A	2/2000	Jackson	
6,053,921	A *	4/2000	Wagner	A61B 17/82 606/103
6,182,672	B1	2/2001	Abasta-Douglas	
6,189,186	B1	2/2001	Boden	
D465,408	S *	11/2002	Man	D8/383
6,601,589	B2	8/2003	Ericks	
7,140,078	B2 *	11/2006	Watabe	F16G 11/101 24/115 G
D543,838	S *	6/2007	Yoshiguchi	D8/373
D551,067	S *	9/2007	Kawamura	D8/383
D560,477	S *	1/2008	Yoshie	D8/383
D560,478	S *	1/2008	Yoshie	D8/383

D560,479	S *	1/2008	Yoshie	D8/383
7,574,786	B2 *	8/2009	Cheng	A43C 1/00 24/115 G
7,621,279	B1 *	11/2009	Anagnostou	A45D 8/34 132/144
D615,391	S *	5/2010	Kawaguchi	D8/383
D630,090	S	1/2011	Ishii	

(Continued)

**OTHER PUBLICATIONS**

Website printed Oct. 6, 2017. BonBunz branded hair wraps available at <https://daphdaph.com/bon-bunz/dahlia-band-143.html>.

(Continued)

*Primary Examiner* — Ian Simmons  
*Assistant Examiner* — Yolanda Robinson  
(74) *Attorney, Agent, or Firm* — Pamela K. Riewerts, Esq.; Larry J. Guffey, Esq.; Oliver & Grimsley, LLC

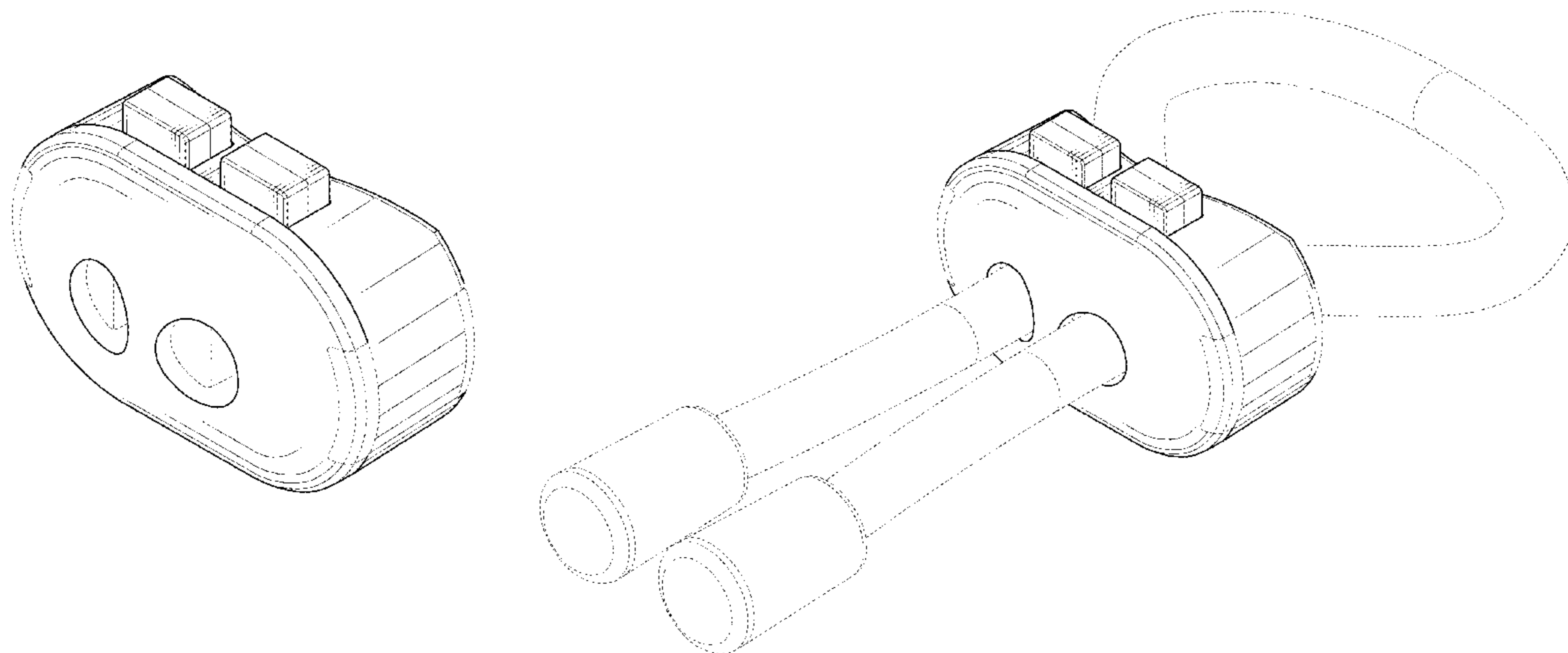
(57) **CLAIM**

I claim the ornamental design for a cord lock, as shown and described herein.

**DESCRIPTION**

FIG. 1 is a perspective view of a cord lock showing my new design;  
FIG. 2 is a front elevational view thereof;  
FIG. 3 is a top plan view thereof;  
FIG. 4 is a rear elevational view thereof;  
FIG. 5 is a bottom plan view thereof;  
FIG. 6 is a right side elevational view thereof, the left side elevational view being a mirror image of FIG. 6; and,  
FIG. 7 is a perspective view thereof, the broken line showing of the cord is for the purpose of illustrating an environment and form no part of the claimed design.  
The broken lines shown in the drawings are included for the purpose of illustrating environment and form no part of the claimed design.

**1 Claim, 4 Drawing Sheets**



(56)

**References Cited**

U.S. PATENT DOCUMENTS

D633,378 S *	3/2011	Chan .....	D8/383
D659,524 S	5/2012	Kawaguchi	
D660,689 S *	5/2012	Kawaguchi .....	D8/383
8,813,524 B2 *	8/2014	Thompson .....	D04B 3/00 66/1 A
8,904,605 B2 *	12/2014	Kawaguchi .....	F16G 11/101 24/115 G
2002/0017309 A1	2/2002	Ericks	
2011/0225779 A1	9/2011	Jones	
2012/0042498 A1 *	2/2012	Chu .....	F16G 11/101 29/453
2013/0104346 A1 *	5/2013	Kawaguchi .....	F16G 11/101 24/115 G
2014/0101898 A1 *	4/2014	Chu .....	A44B 11/06 24/115 A

OTHER PUBLICATIONS

Website printed Oct. 6, 2017. BonBunz active hair bands available at [https://www.amazon.com/Bonbunz-Hairband-HeadbandsYoga-Headbands-Ultimate/dp/B01MF9NWKB/ref=sr\\_1\\_1?ie=UTF8&qid=1495816956&sr=8-1&keywords=bonbunz+daph](https://www.amazon.com/Bonbunz-Hairband-HeadbandsYoga-Headbands-Ultimate/dp/B01MF9NWKB/ref=sr_1_1?ie=UTF8&qid=1495816956&sr=8-1&keywords=bonbunz+daph).

Website printed Oct. 6, 2017. Lock Laces branded no-tie shoelaces available at <https://www.amazon.com/LOCK-LACES-Elastic-Tie-Shoelaces/dp/B00975EAJ6>.

Website printed Oct. 6, 2017. Pulleez branded ponytail holders at [http://www.qvc.com/qvc.product.A261610.html?ref=GAS&cm\\_mmc=GOOGLESHOPPINGFEED-\\_-GShopping%7CM%7CGeneric%7Cbeauty-\\_-pla-\\_-sHPY10pMc%7Cdc\\_193409122054\\_A261610-680-000\\_&mkwid=sHPY10pMc%7Cdc\\_pcrd\\_193409122054\\_pkw\\_pmt\\_productid\\_A261610-680-000\\_&cvsorc=pla.google.A261610-680-000&cvo\\_crid=193409122054&matchtype=shopping](http://www.qvc.com/qvc.product.A261610.html?ref=GAS&cm_mmc=GOOGLESHOPPINGFEED-_-GShopping%7CM%7CGeneric%7Cbeauty-_-pla-_-sHPY10pMc%7Cdc_193409122054_A261610-680-000_&mkwid=sHPY10pMc%7Cdc_pcrd_193409122054_pkw_pmt_productid_A261610-680-000_&cvsorc=pla.google.A261610-680-000&cvo_crid=193409122054&matchtype=shopping).

Website printed Oct. 6, 2017. Cord-lock toggle stopper available at <https://www.aliexpress.com/item/50pcs-Cord-Lock-Toggle-Stopper-Plastic-toggle-clip-Black-17-5mm-19mm-6mm-Free-Shipping/2021837315.html?spm=2114.40010708.4.2.YJsqGk>.

Website printed Oct. 6, 2017. Hair Bungee branded hair ties available at <http://www.hairbungee.com>.

Website printed Oct. 6, 2017. Magnetic cord winder wrap available at <https://www.amazon.com/Rancco-Magnetic-Headphones-Organizer-Bookmarks/dp/B015VGDMDDE>.

Website printed Oct. 6, 2017. Cord locks described at <https://www.ronstanindustrial.com/use-of-cord-locks/>.

\* cited by examiner

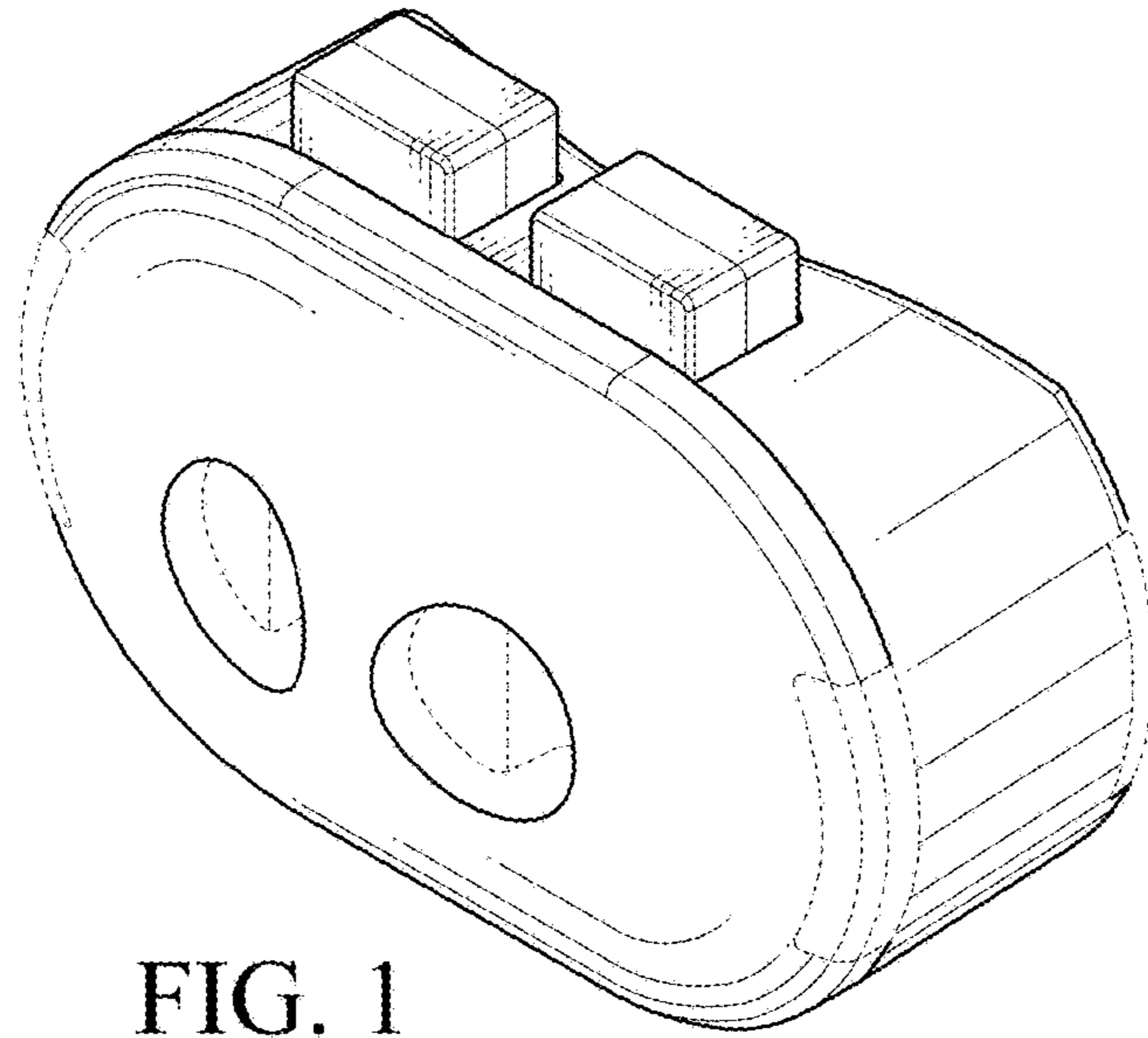


FIG. 1

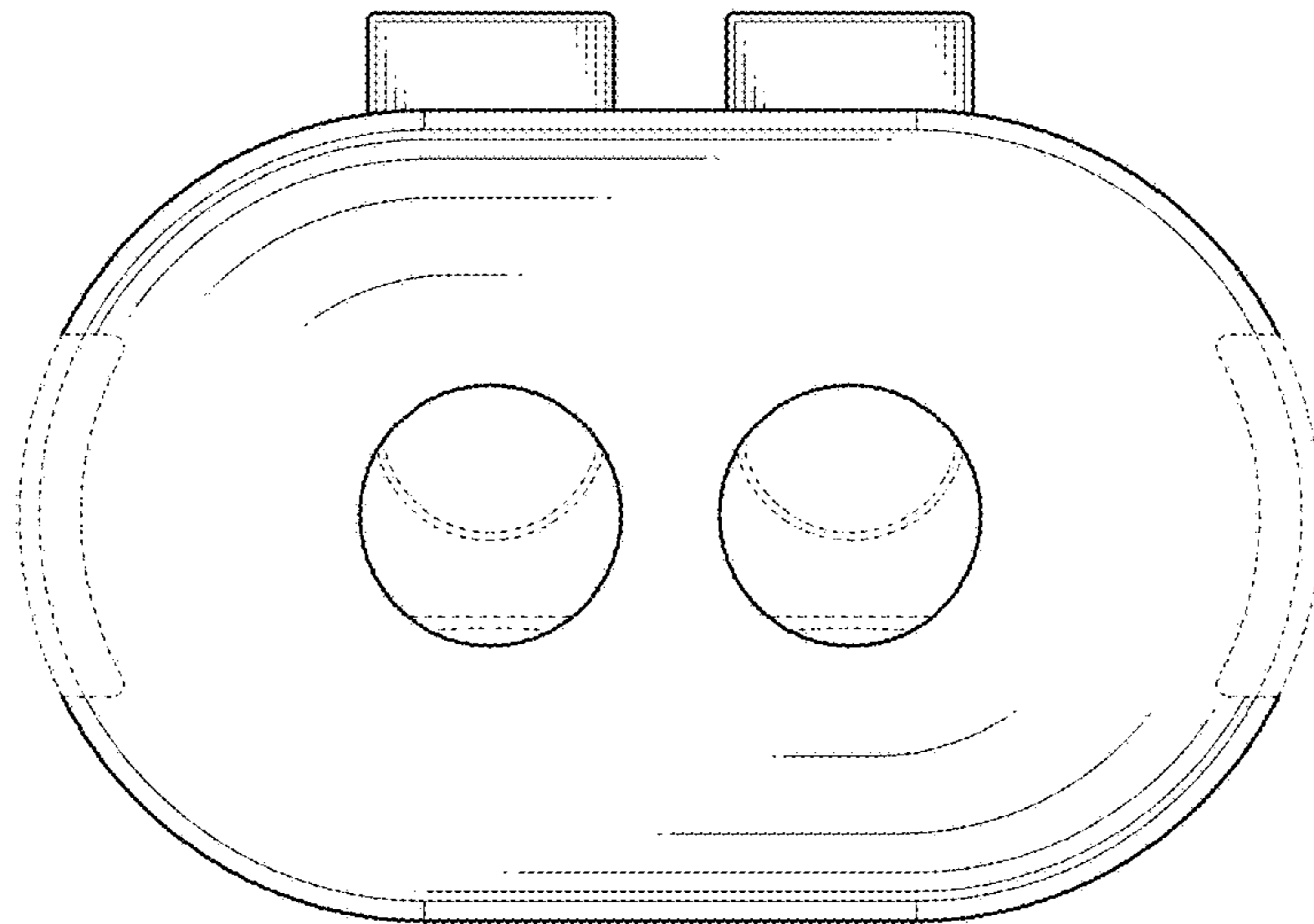


FIG. 2

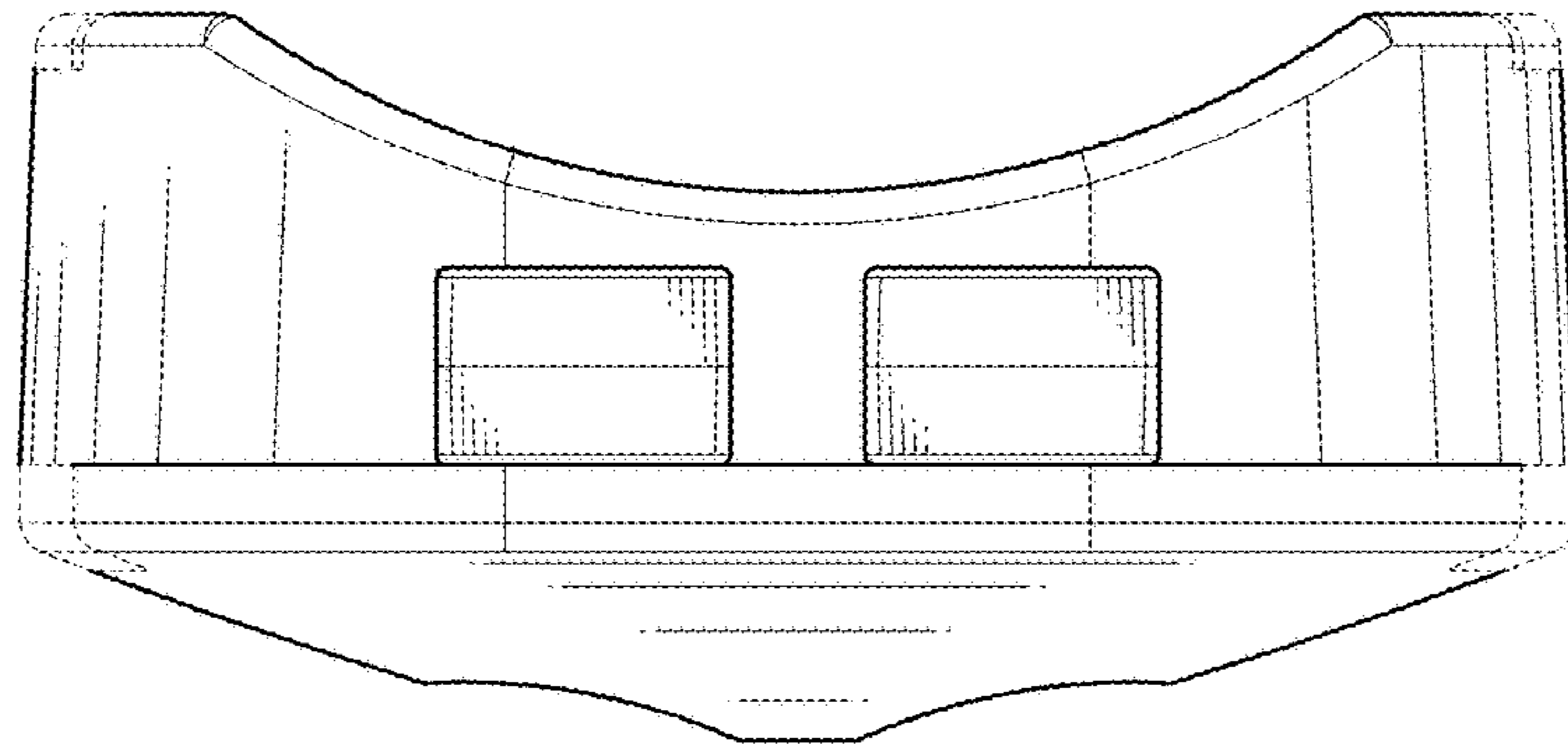


FIG. 3

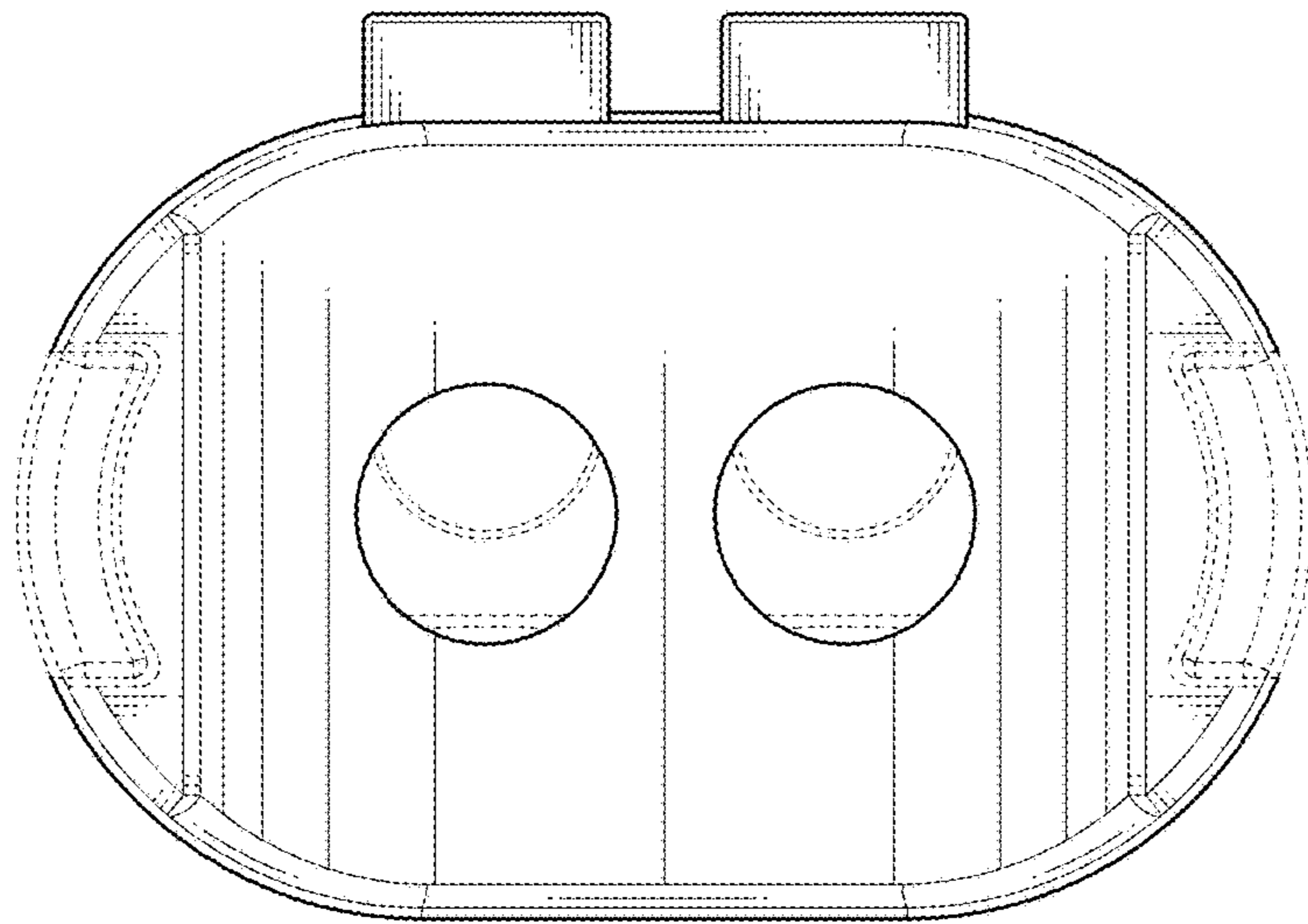


FIG. 4

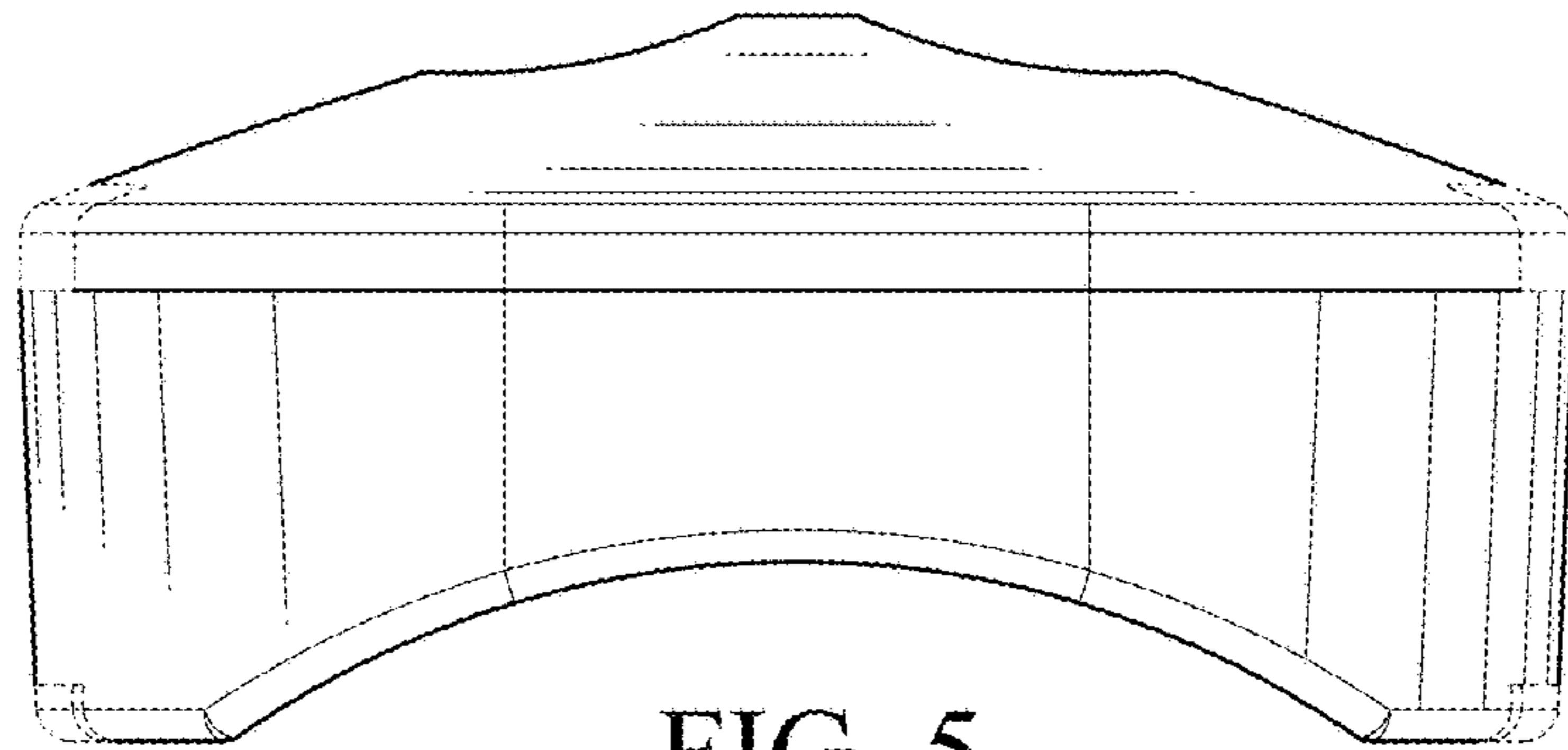


FIG. 5

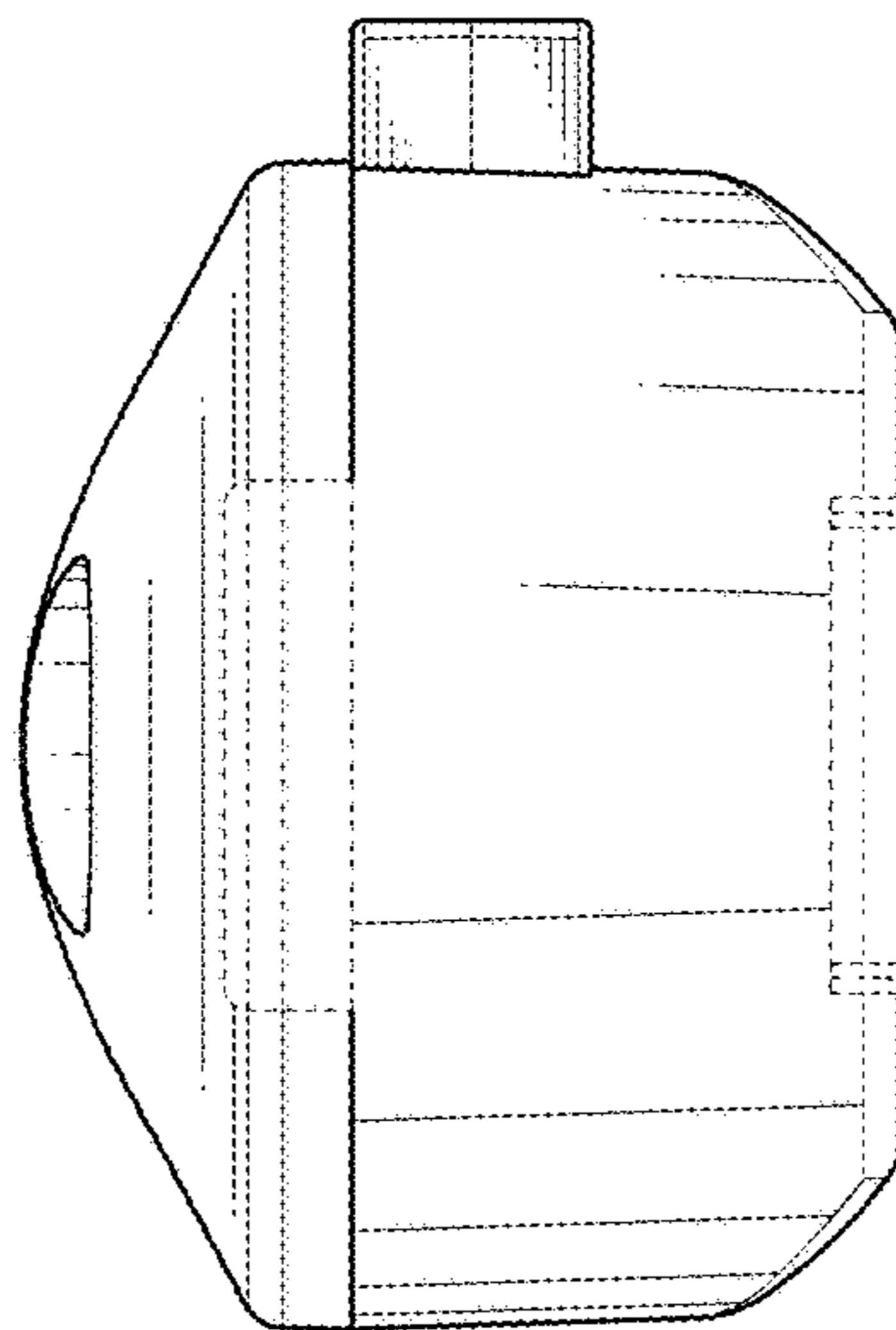


FIG. 6

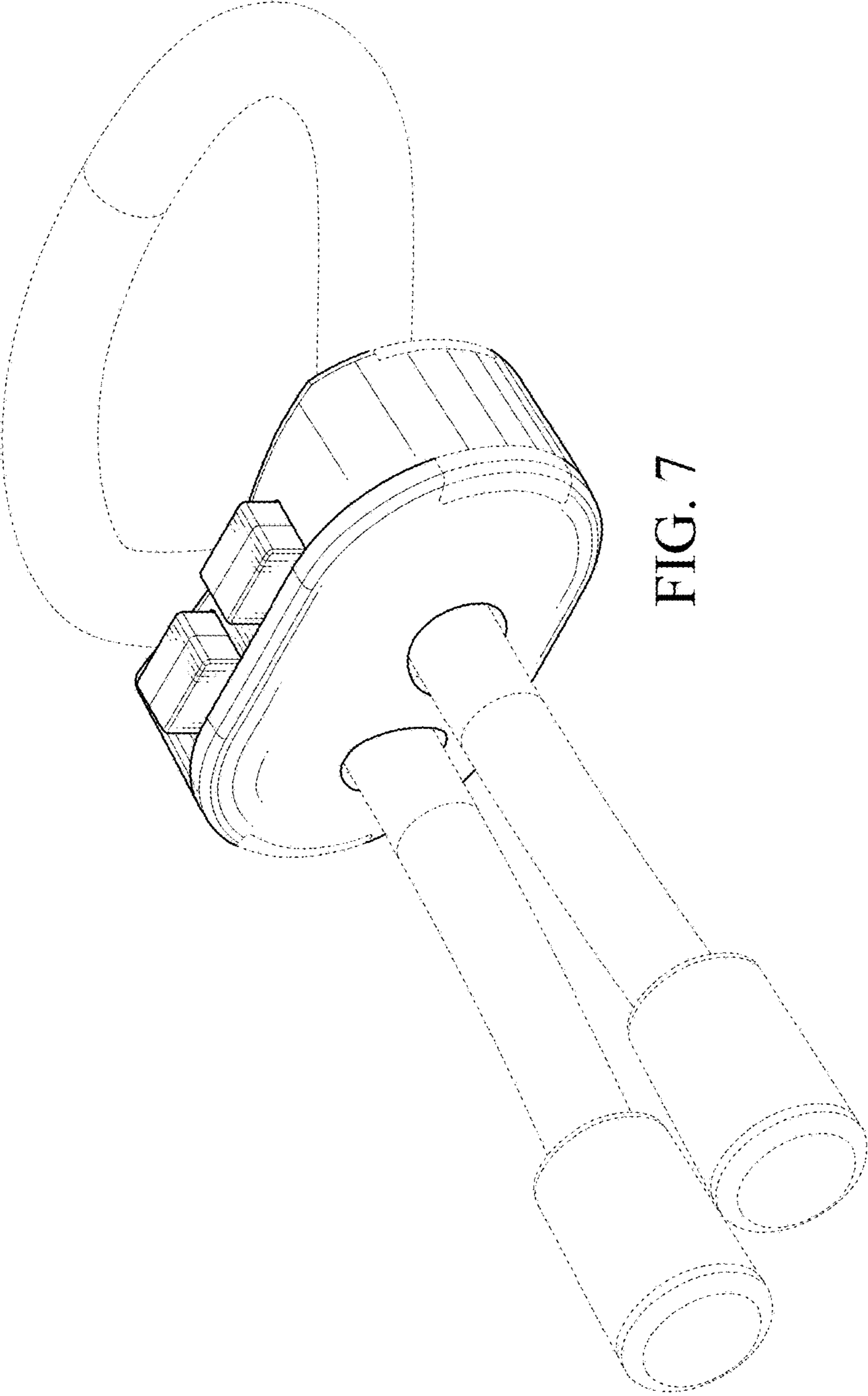


FIG. 7