



US00D831459S

(12) **United States Design Patent** (10) **Patent No.:** **US D831,459 S**
Cartwright (45) **Date of Patent:** **** Oct. 23, 2018**

(54) **TOOL FOR REMOVING A PROTECTIVE CAP ON A THREADED REBAR COUPLER**

(71) Applicant: **Barsplice Products, Inc.**, Dayton, OH (US)

(72) Inventor: **Timothy L. Cartwright**, Tipp City, OH (US)

(73) Assignee: **Barsplice Products, Inc.**, Dayton, OH (US)

(**) Term: **15 Years**

(21) Appl. No.: **29/594,076**

(22) Filed: **Feb. 15, 2017**

(51) **LOC (11) Cl.** **08-05**

(52) **U.S. Cl.**
USPC **D8/70**

(58) **Field of Classification Search**
USPC D8/70, 71, 383; D11/1, 8, 30, 81; D15/7, 21
CPC ... B23B 5/162; B23B 5/163; B23B 2260/078; B23B 2215/72; B24B 7/16
See application file for complete search history.

(56) **References Cited**

U.S. PATENT DOCUMENTS

D408,268 S * 4/1999 Dunn D8/354
D709,343 S * 7/2014 Huang D8/29
D710,174 S * 8/2014 Moss D8/70
D710,175 S * 8/2014 Moss D8/70

D710,176 S * 8/2014 Santamarina D8/70
D716,637 S * 11/2014 McDonald D8/354
D716,638 S * 11/2014 McDonald D8/354
D731,277 S * 6/2015 Manwaring D8/70
D732,364 S * 6/2015 Rinaldis D8/70
D756,200 S * 5/2016 McDonald D8/354
2012/0132044 A1 * 5/2012 Manwaring B23B 5/162 82/1.11

* cited by examiner

Primary Examiner — Darlington Ly

(74) *Attorney, Agent, or Firm* — Jacox, Meckstroth & Jenkins

(57) **CLAIM**

The ornamental design for a tool for removing a protective cap on a threaded rebar coupler, as shown and described.

DESCRIPTION

FIG. 1 is a perspective view of a tool for removing a protective cap on a threaded rebar coupler showing my new design;
FIG. 2 is a side elevation view thereof;
FIG. 3 is a top plan view thereof;
FIG. 4 is a bottom plan view thereof; and,
FIG. 5 is a vertical cross-section view thereof, as taken on the broken line marked 5-5 of FIG. 4.
The broken lines in FIG. 4 are provided as a graphical symbol to illustrate the plane at which the section view in FIG. 5 is taken. The broken line representation does not form part of the claimed design.

1 Claim, 2 Drawing Sheets

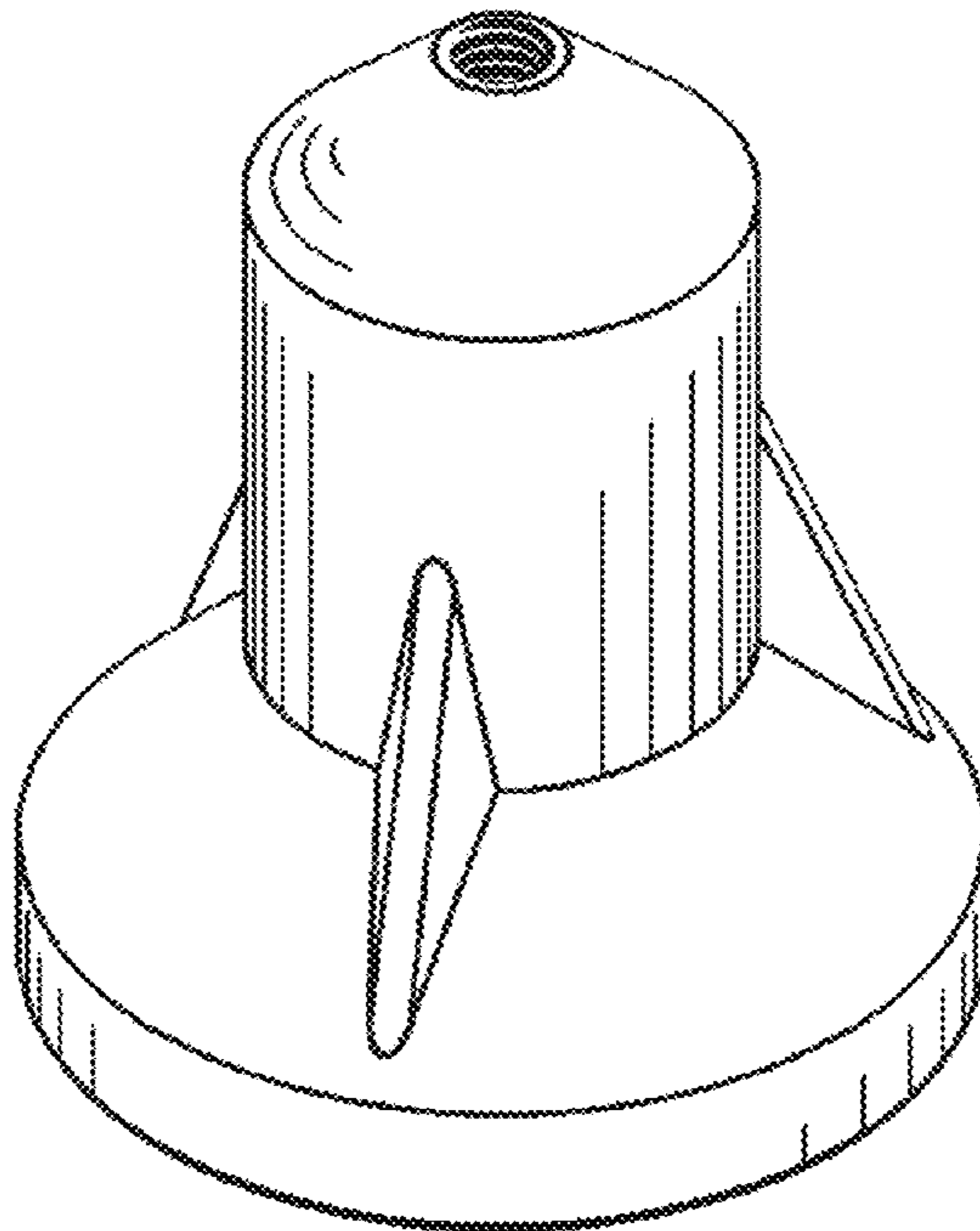


FIG. 1

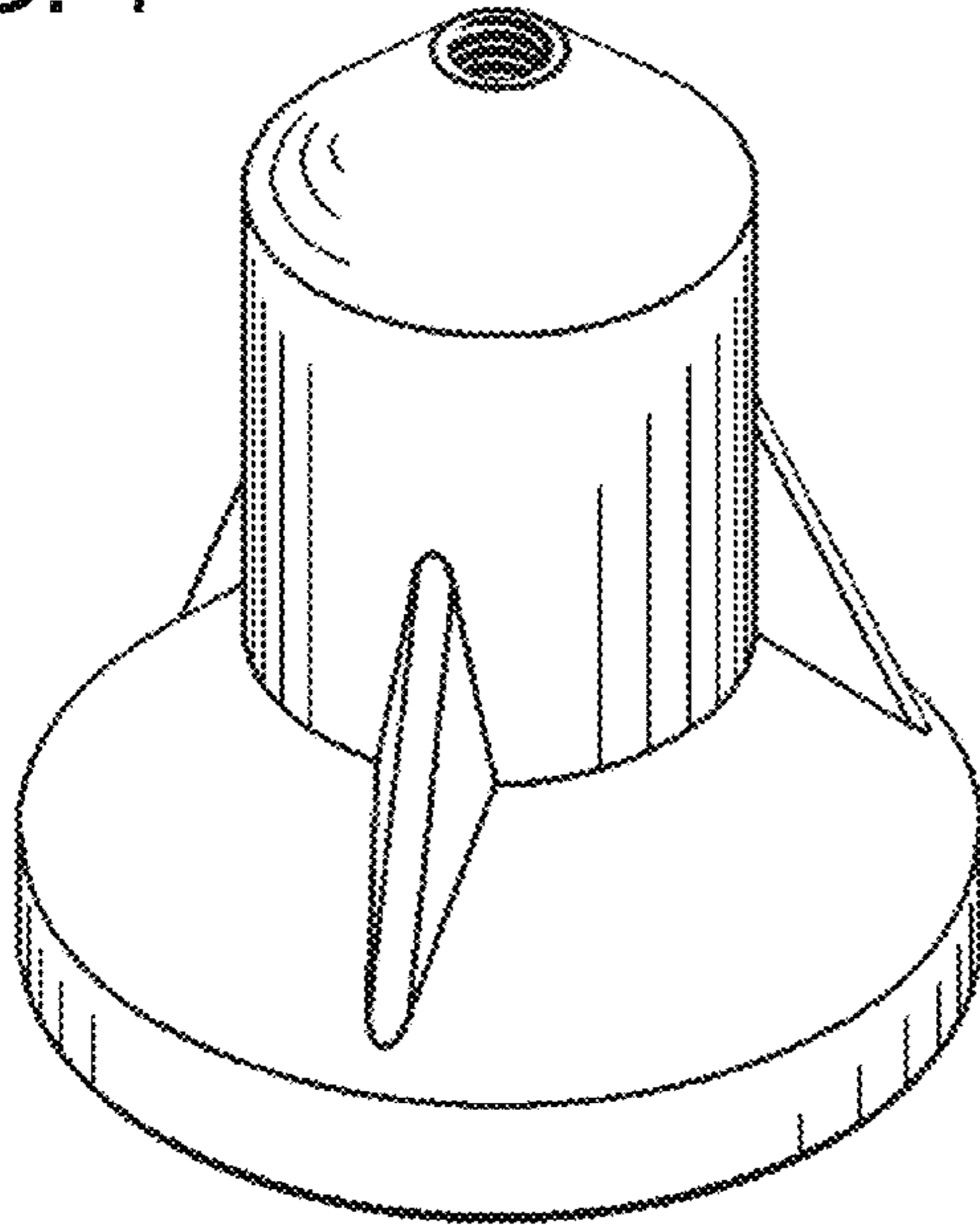


FIG. 2

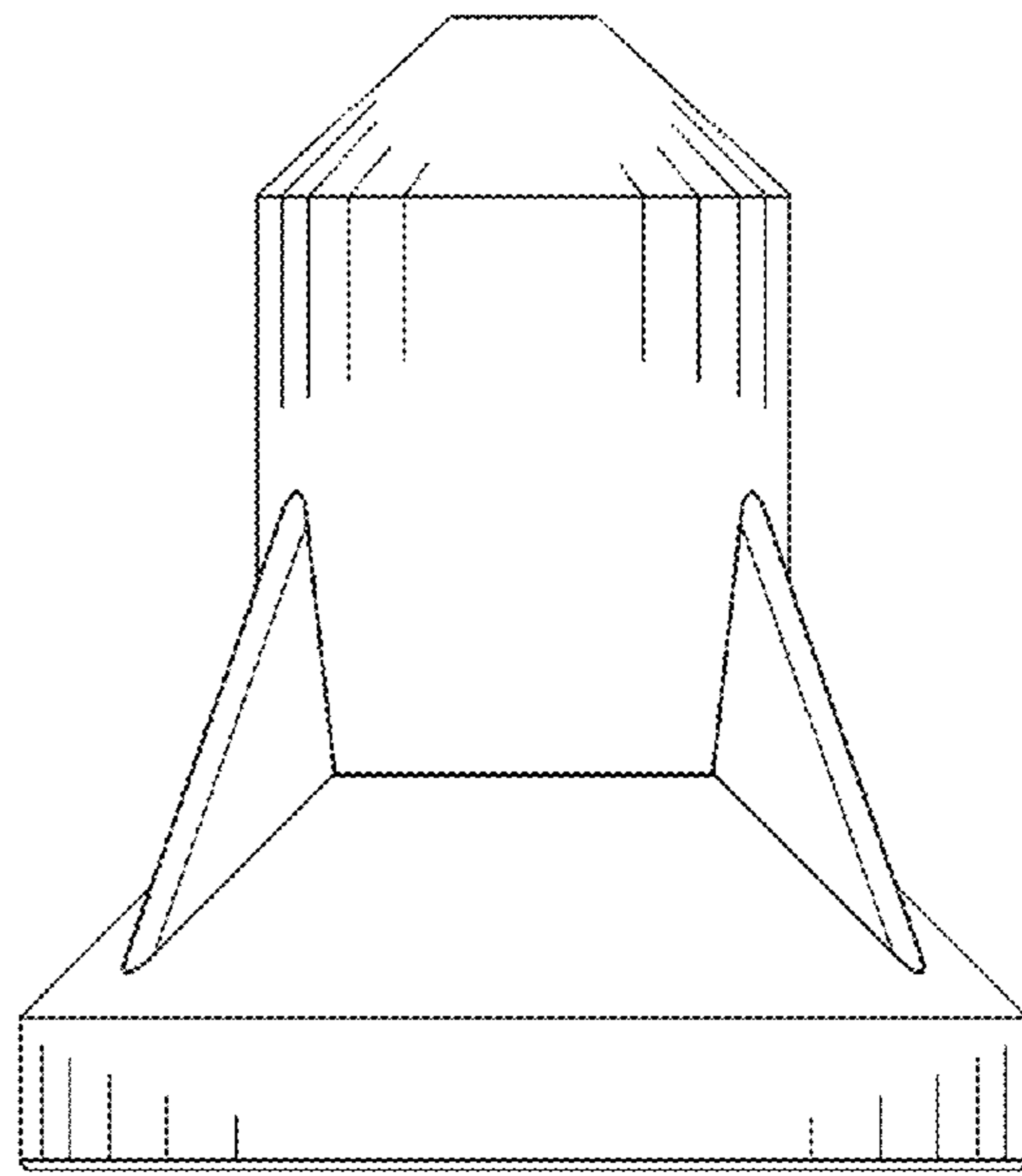


FIG. 3

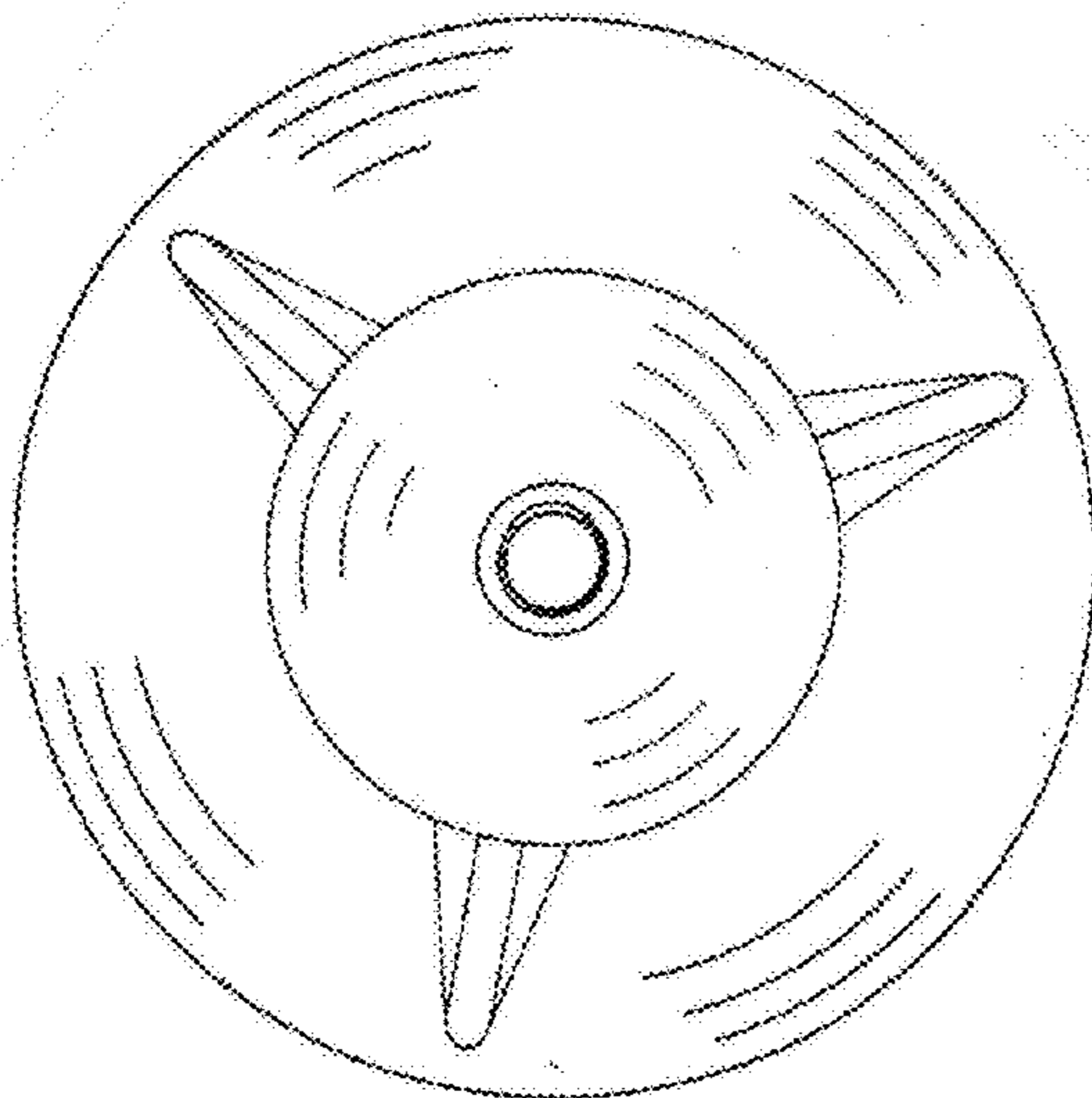


FIG. 4

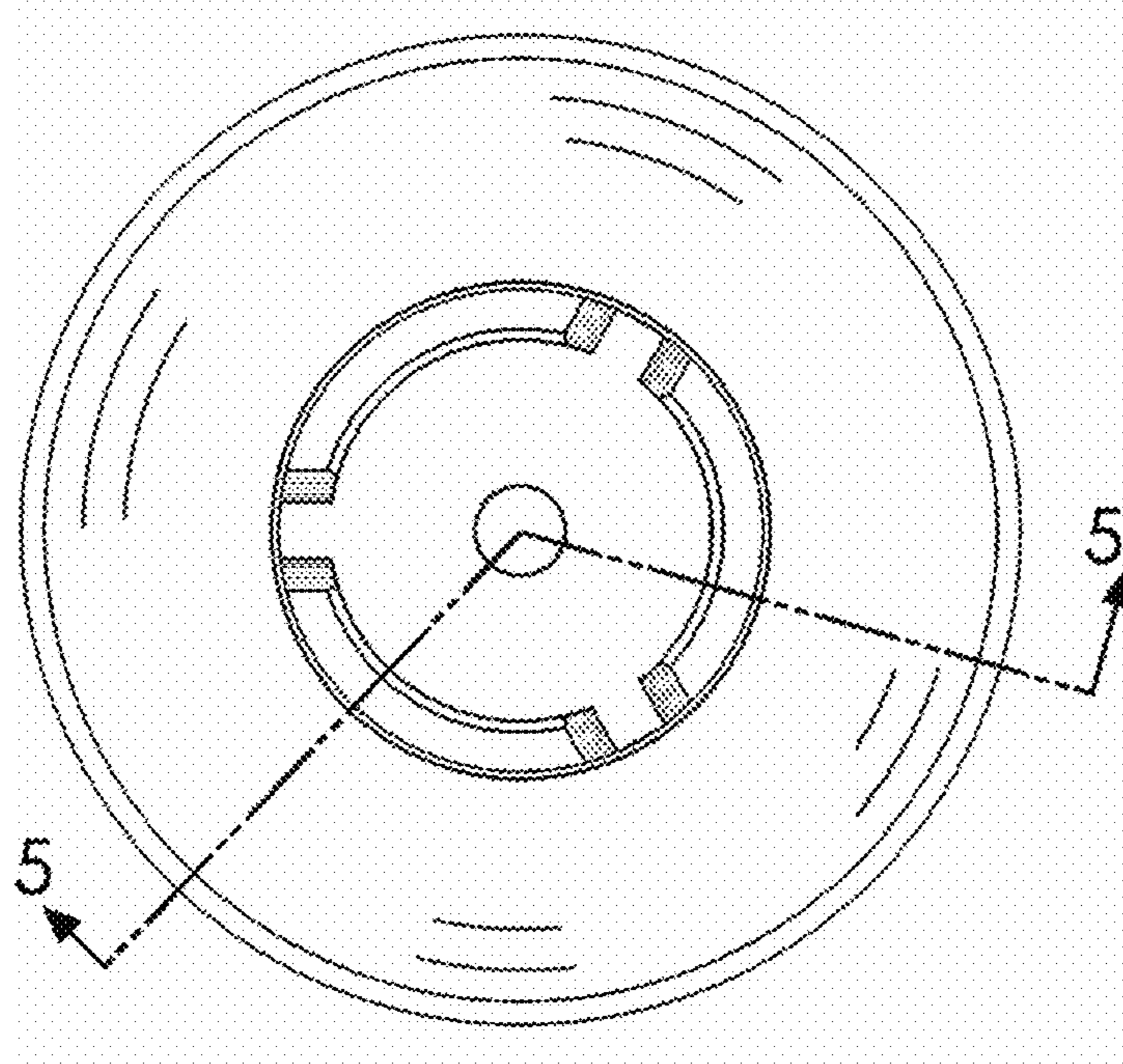


FIG. 5

