



US00D831457S

(12) **United States Design Patent** (10) **Patent No.:** **US D831,457 S**  
**Bowers** (45) **Date of Patent:** **\*\* Oct. 23, 2018**

(54) **CANDLE WICK TRIMMING DEVICE**

(71) Applicant: **TJ Bowers Enterprises, Inc.**, Aston, PA (US)

(72) Inventor: **Christopher F. Bowers**, Aston, PA (US)

(73) Assignee: **TJ Bowers Enterprises, Inc.**

(\*\*) Term: **15 Years**

(21) Appl. No.: **29/579,814**

(22) Filed: **Oct. 4, 2016**

(51) **LOC (11) Cl.** ..... **08-03**

(52) **U.S. Cl.**  
USPC ..... **D8/57**

(58) **Field of Classification Search**  
USPC ..... D8/51-60  
CPC ..... F23D 3/36; B26B 13/00; B26B 13/06  
See application file for complete search history.

(56) **References Cited**

**U.S. PATENT DOCUMENTS**

D422,470	S	*	4/2000	Mosca	.....	D8/57
6,076,262	A	*	6/2000	Pappas	.....	B26B 13/00 30/179
6,243,954	B1		6/2001	Bowers		
D448,260	S	*	9/2001	Gathmann	.....	D24/143
D454,291	S	*	3/2002	Mosca	.....	D8/57
D458,100	S	*	6/2002	Bowers	.....	D8/52
6,405,441	B1		6/2002	Rucker		
D464,243	S	*	10/2002	Mosca	.....	D8/57
6,813,832	B2		11/2004	Alexander		
D503,326	S	*	3/2005	Mildon	.....	D8/57
D505,607	S	*	5/2005	McMinn	.....	D8/57
7,017,273	B2		3/2006	Foster et al.		

7,047,851	B2		5/2006	Waisath		
7,104,785	B2		9/2006	Feaser		
D532,265	S	*	11/2006	Norton	.....	D8/52
9,080,767	B1		7/2015	Garlington		
2004/0166452	A1		8/2004	McInnis		
2005/0227191	A1	*	10/2005	Feaser	.....	F23D 3/36 431/120
2017/0102141	A1	*	4/2017	Bowers	.....	F23D 3/36

\* cited by examiner

*Primary Examiner* — Deanna L Pratt

(74) *Attorney, Agent, or Firm* — The Belles Group, P.C.

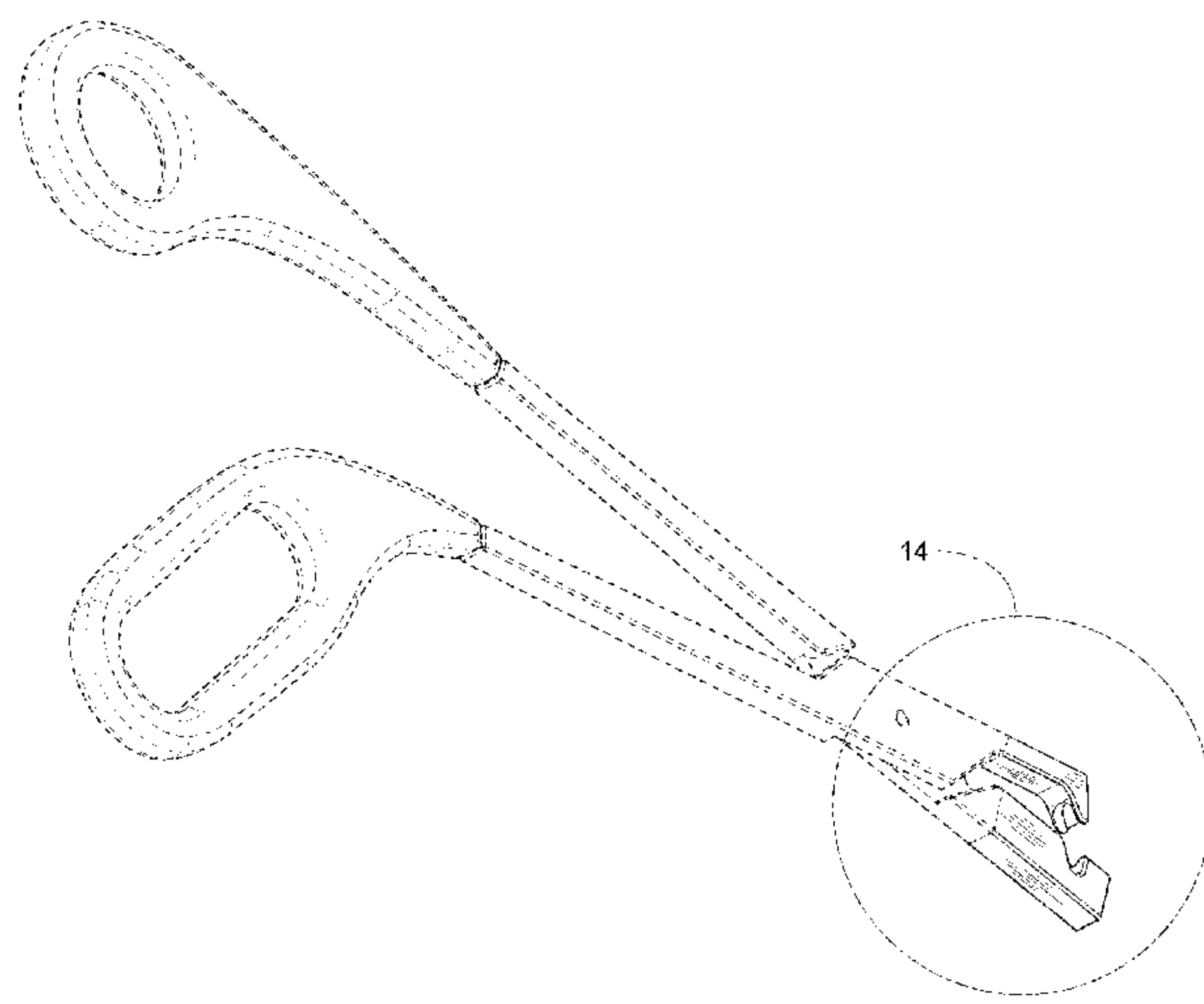
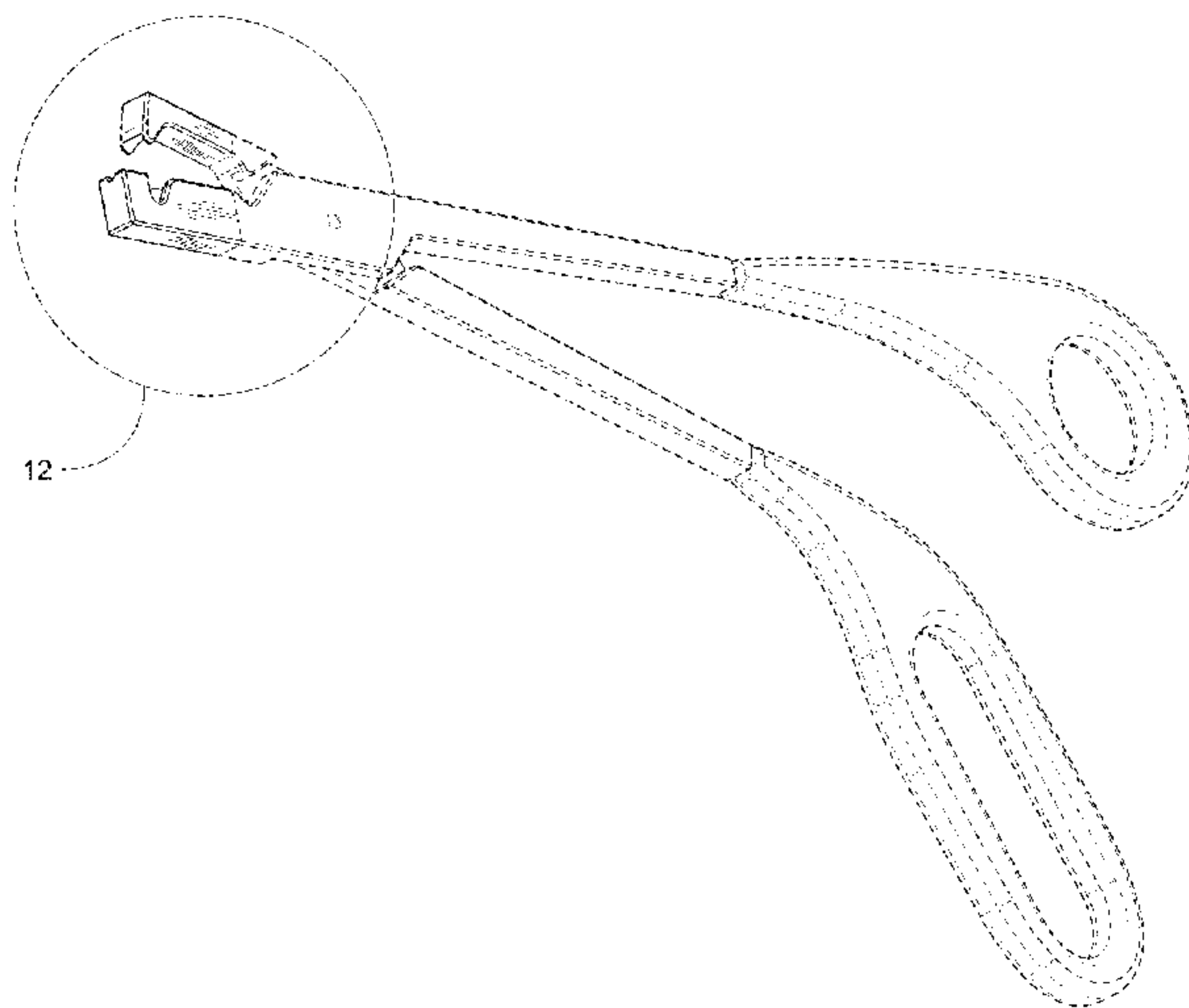
(57) **CLAIM**

I claim the ornamental design for a candle wick trimming device, as shown and described.

**DESCRIPTION**

FIG. 1 is a front right perspective view of a candle wick trimming device in accordance with the present invention; FIG. 2 is a front left perspective view thereof; FIG. 3 is a rear right perspective view thereof; FIG. 4 is a rear left perspective view thereof; FIG. 5 is a front view thereof; FIG. 6 is a rear view thereof; FIG. 7 is a right-side view thereof; FIG. 8 is a left-side view thereof; FIG. 9 is a top view thereof; FIG. 10 is a bottom view thereof; FIG. 11 is a close-up view of area 11 of FIG. 1; FIG. 12 is a close-up view of area 12 of FIG. 2; FIG. 13 is a close-up view of area 13 of FIG. 3; FIG. 14 is a close-up view of area 14 of FIG. 4; and, FIG. 15 is a close-up view of area 15 of FIG. 5. The broken lines in the drawings show portions of the article that form no part of the claimed design.

**1 Claim, 13 Drawing Sheets**



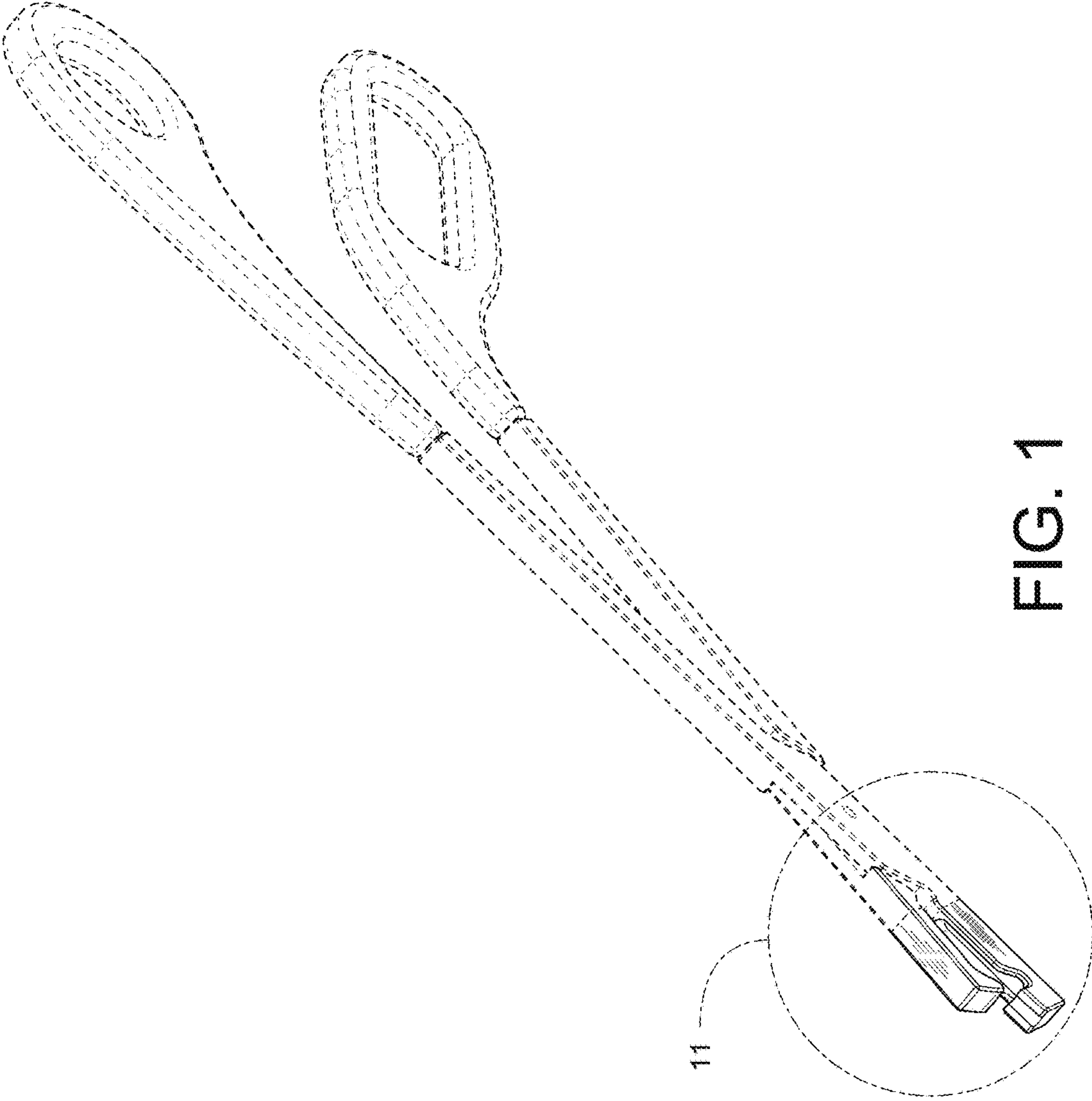


FIG. 1

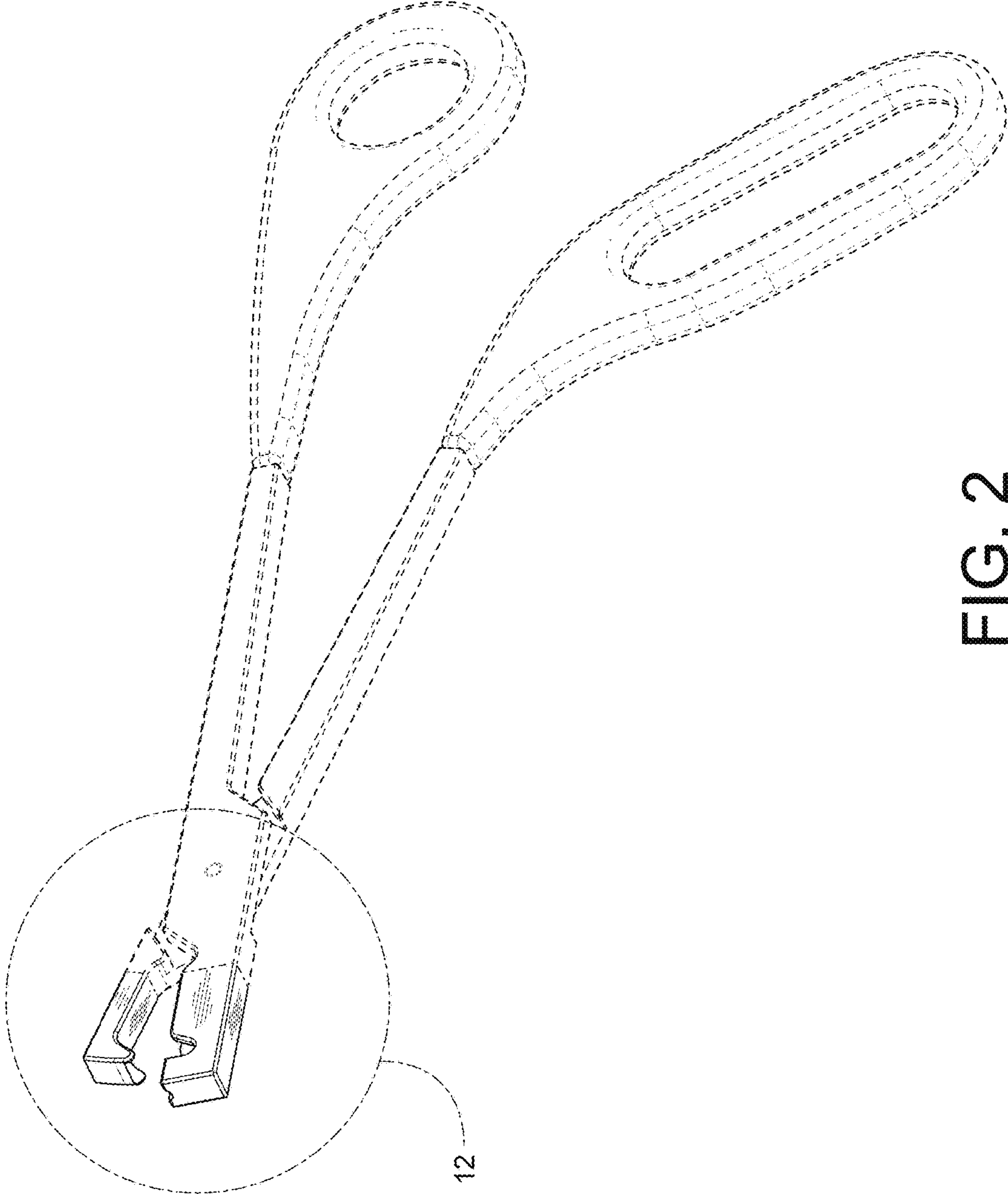


FIG. 2

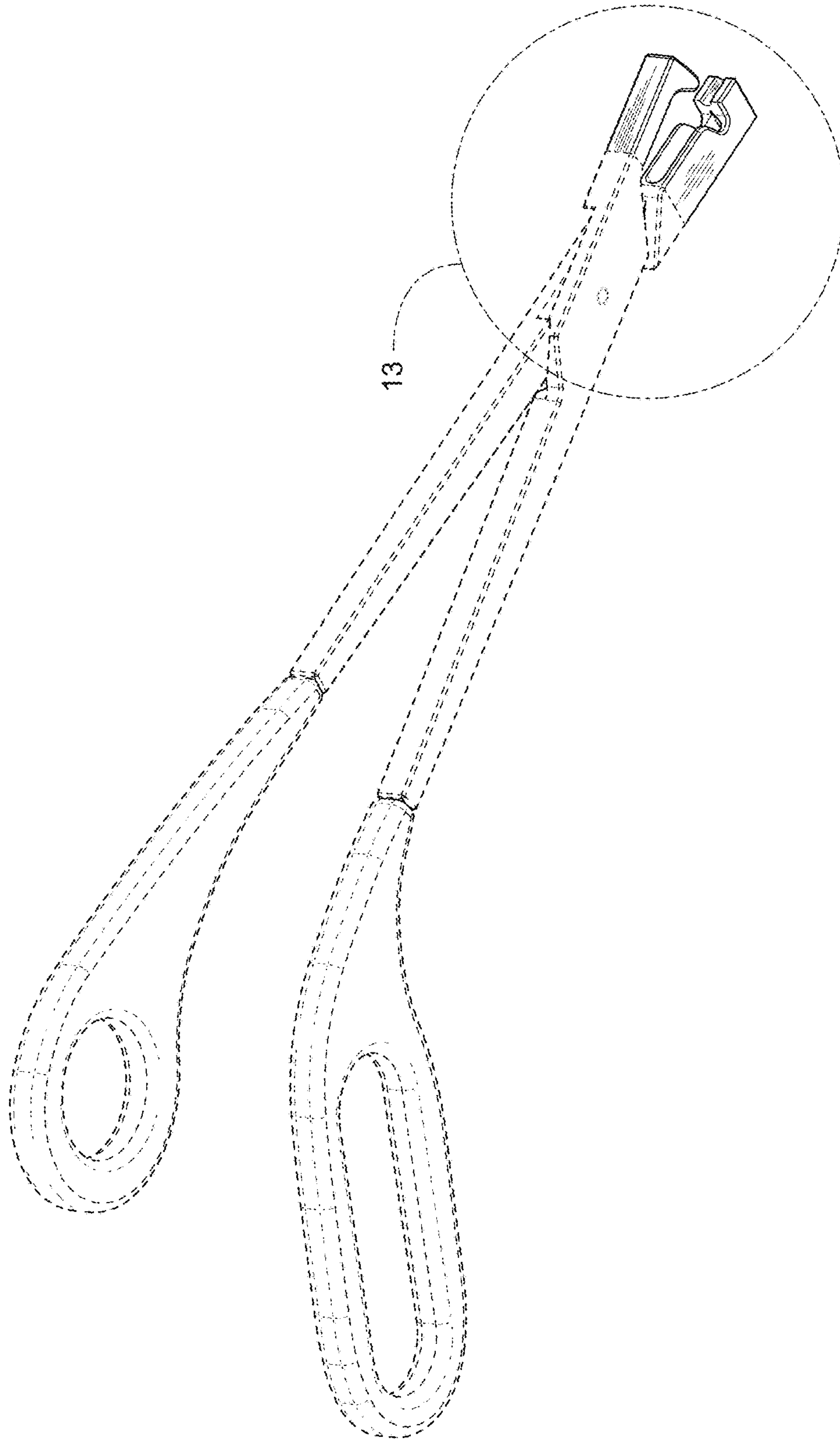


FIG. 3

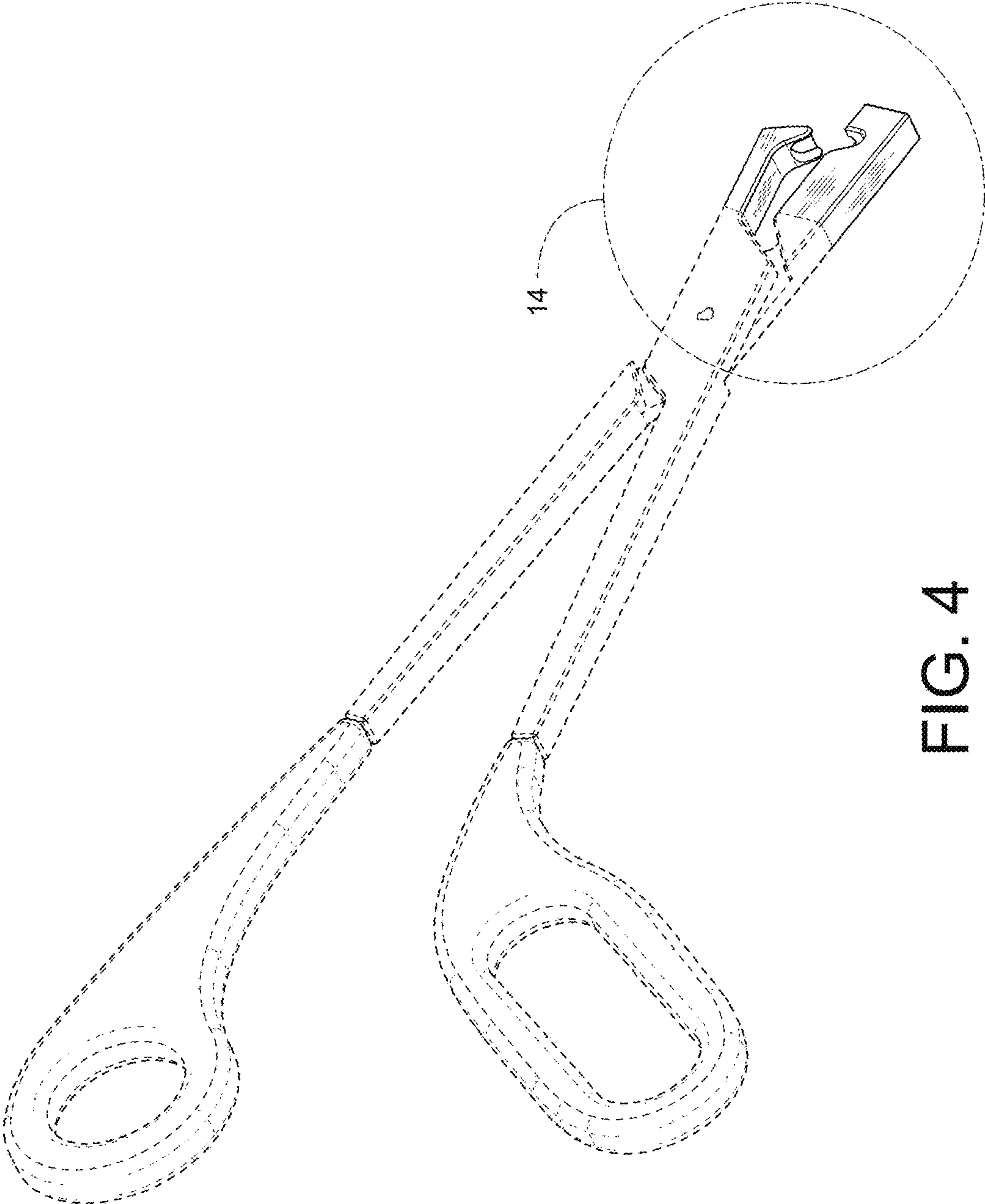


FIG. 4



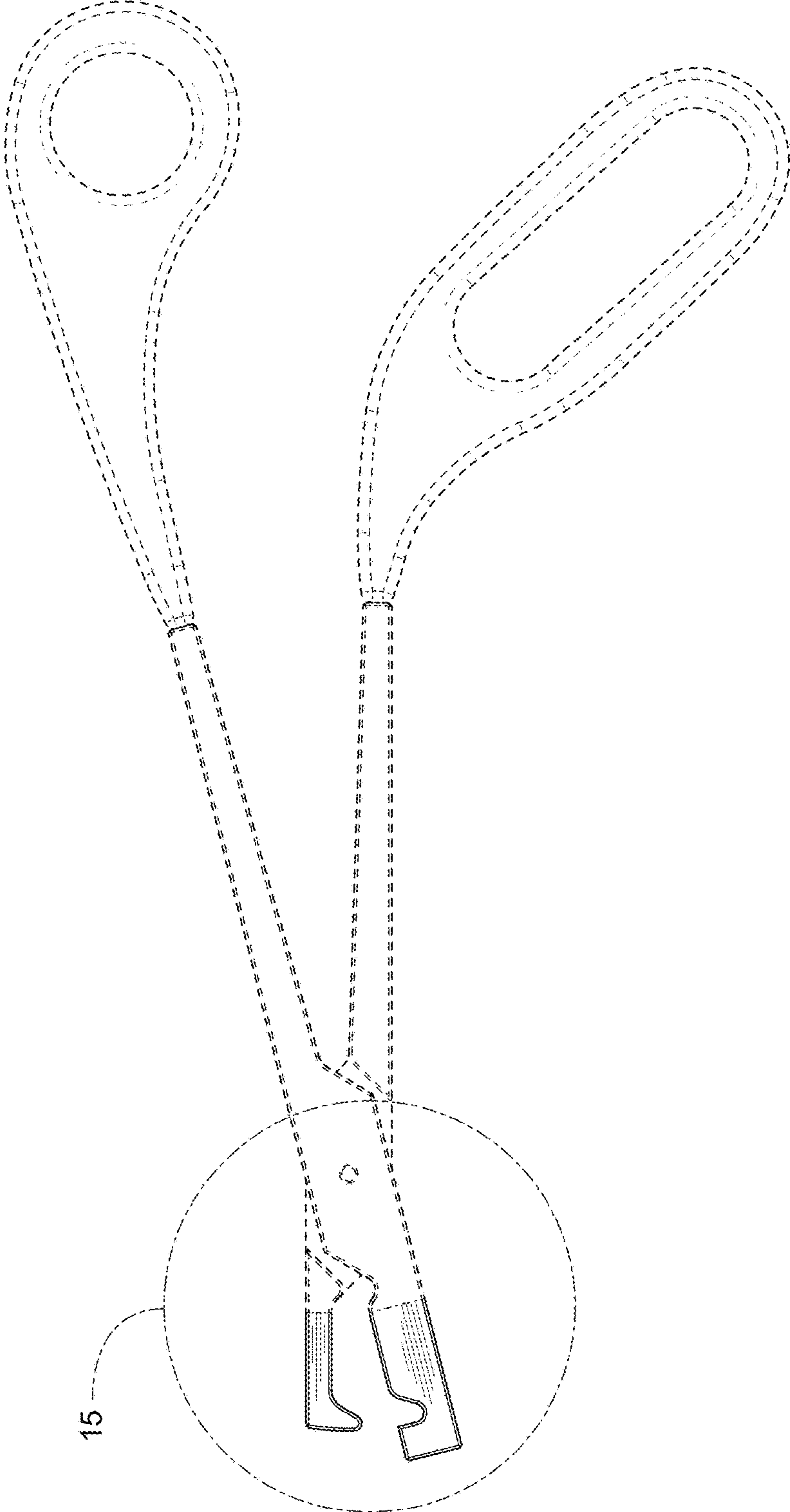


FIG. 5

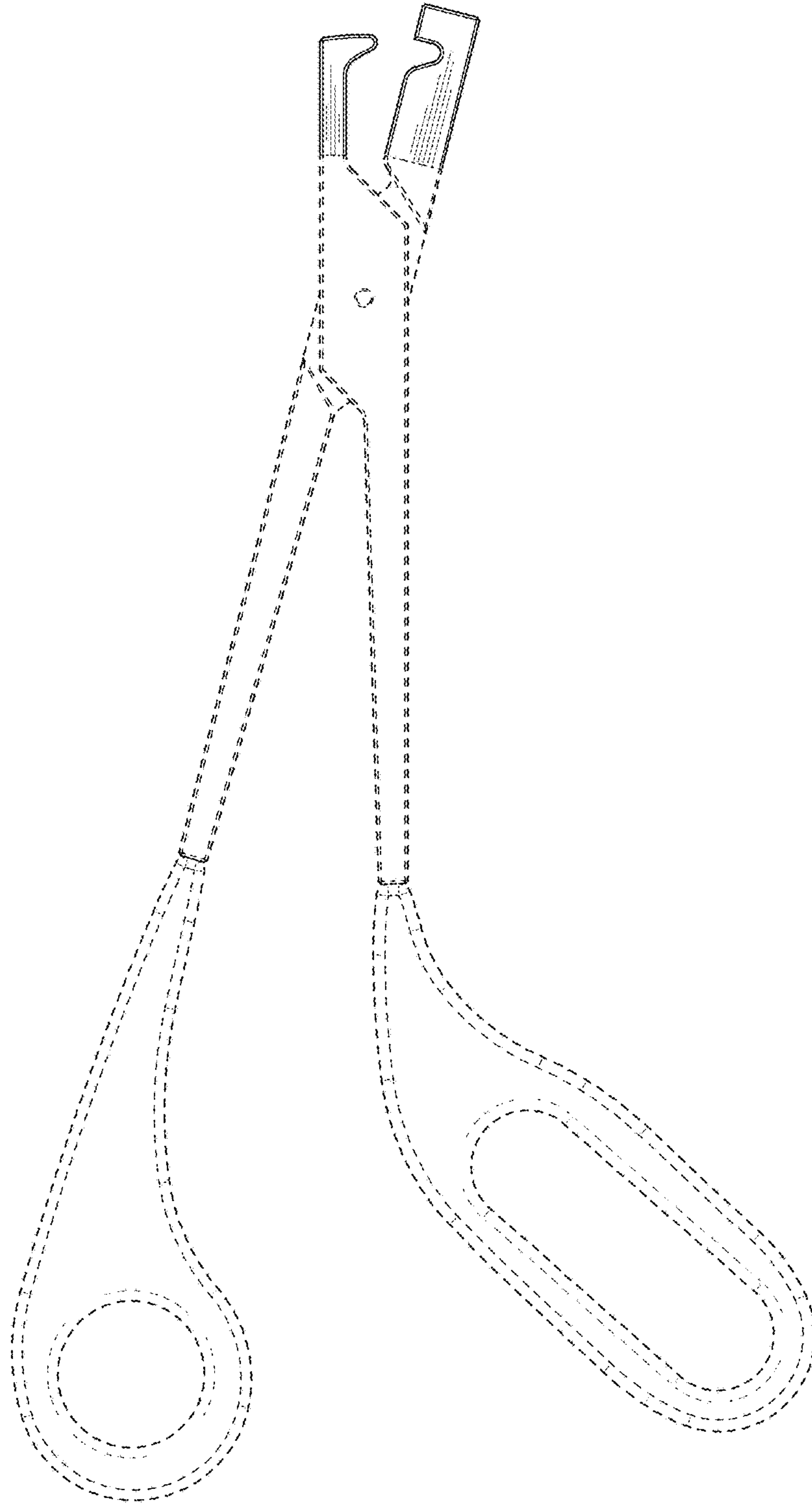


FIG. 6

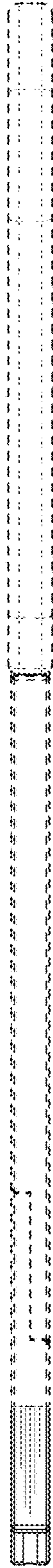


FIG. 7

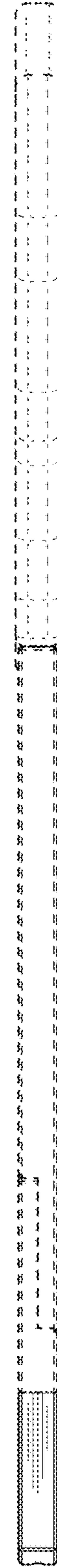


FIG. 8



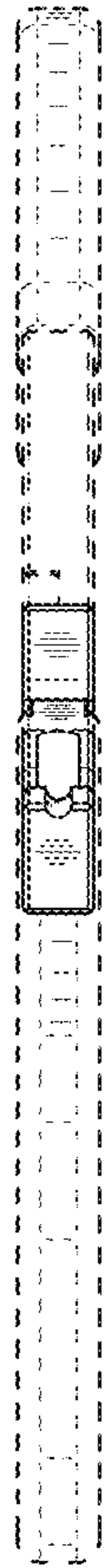


FIG. 9

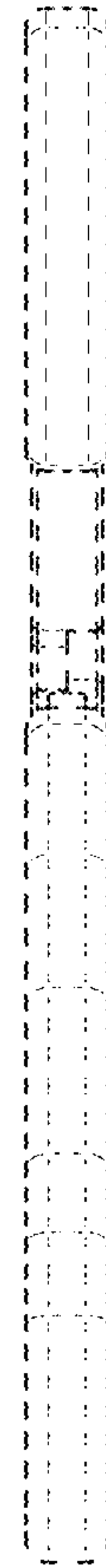


FIG. 10

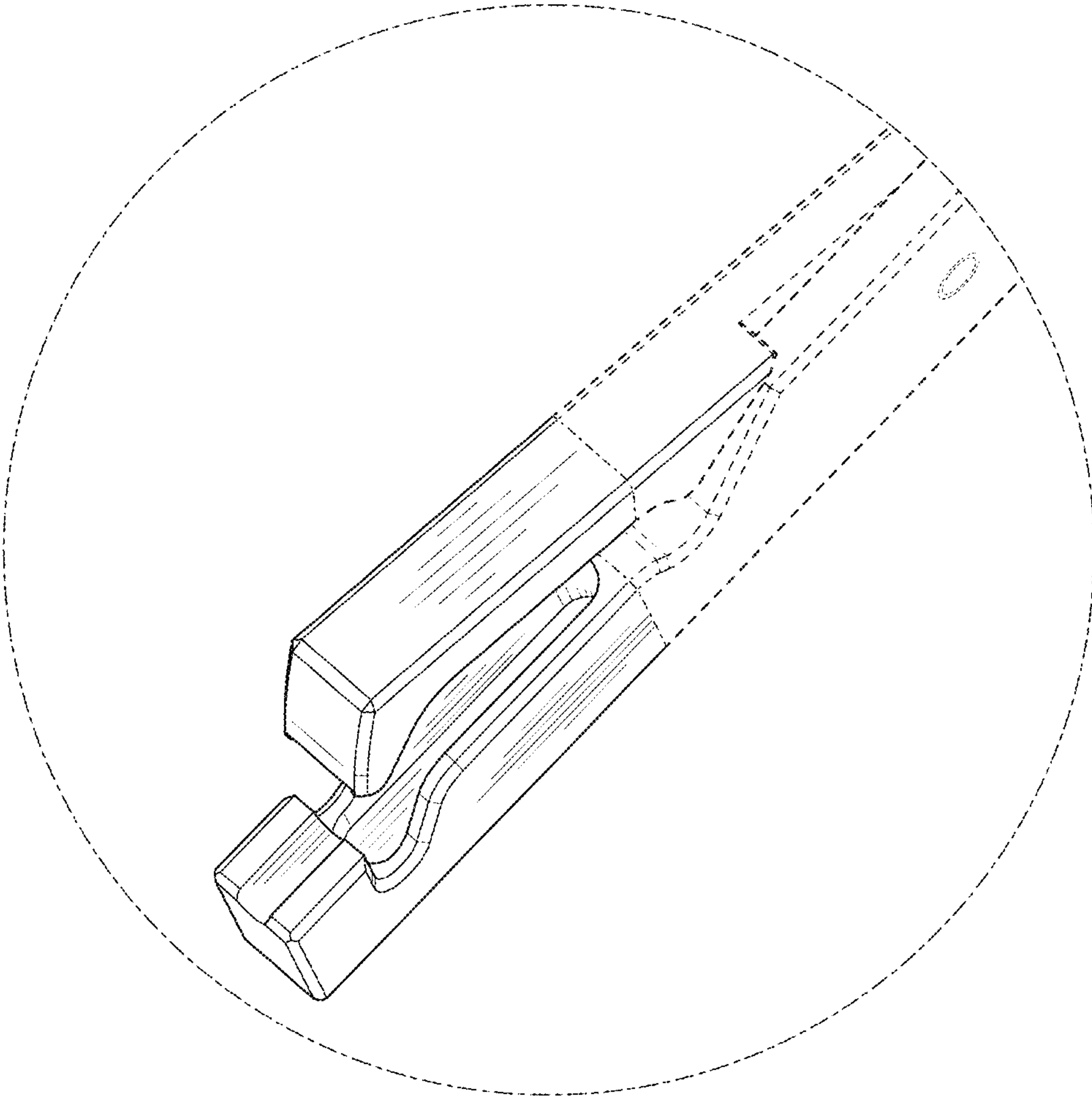


FIG. 11

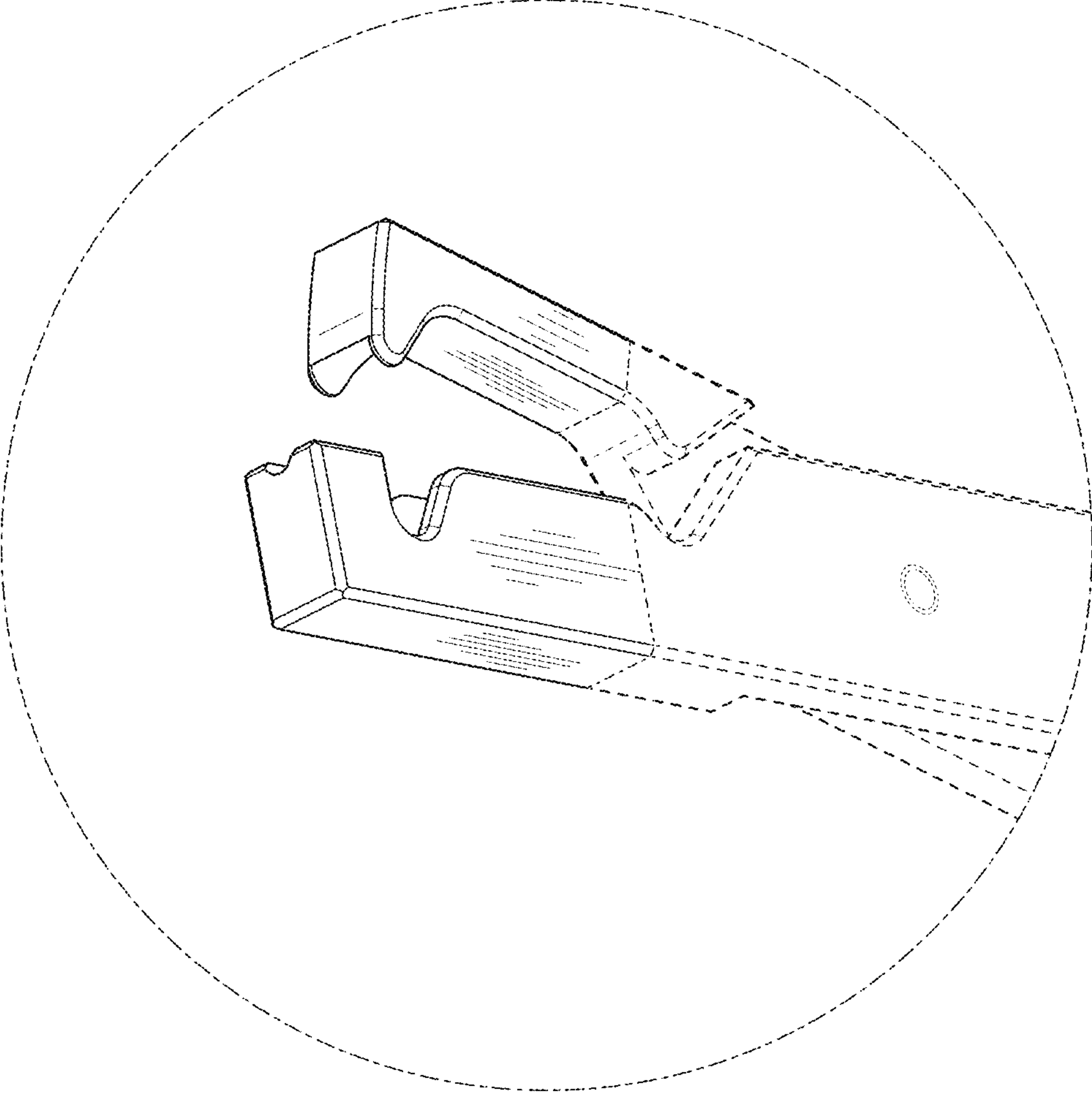


FIG. 12

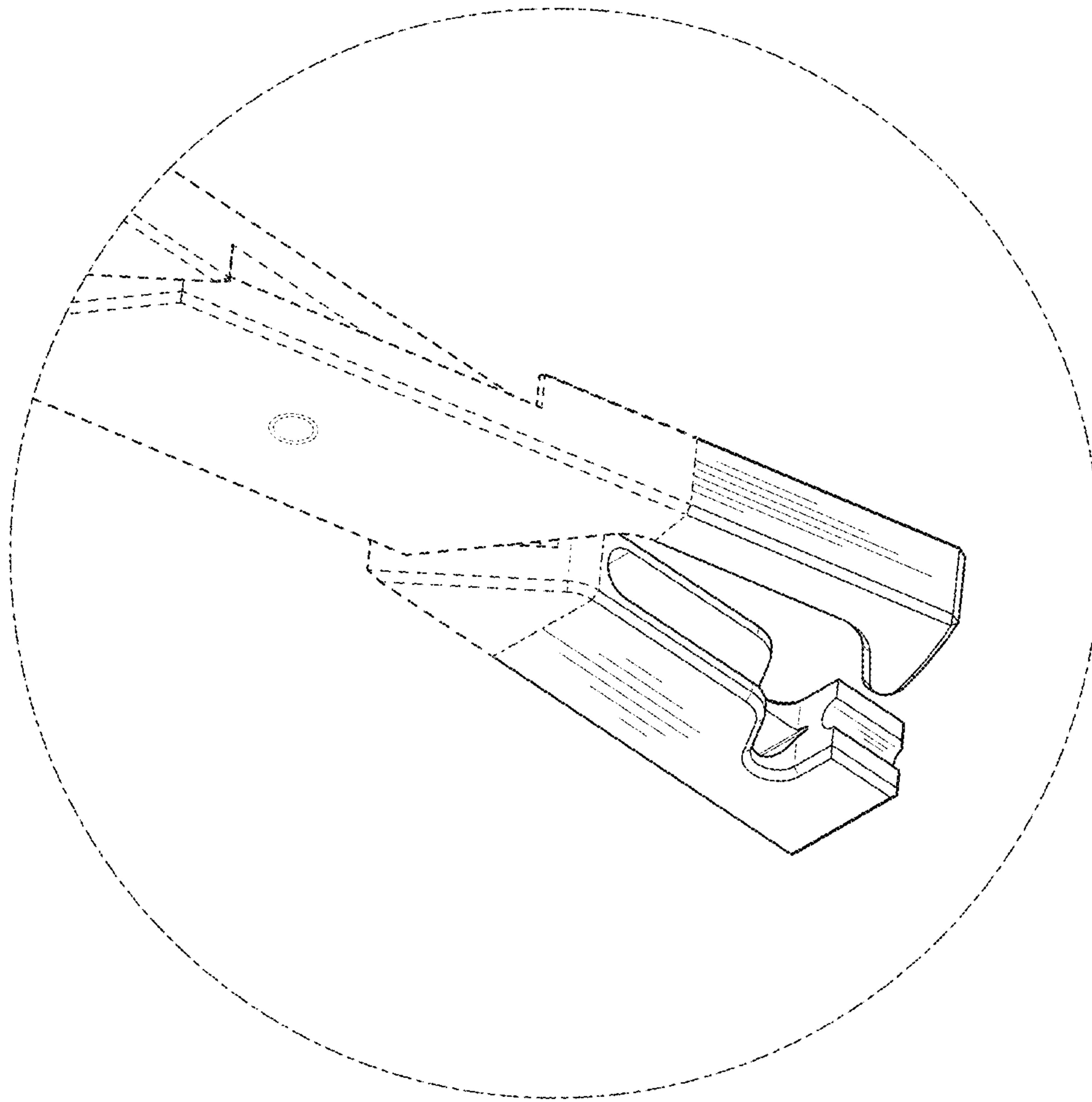


FIG. 13

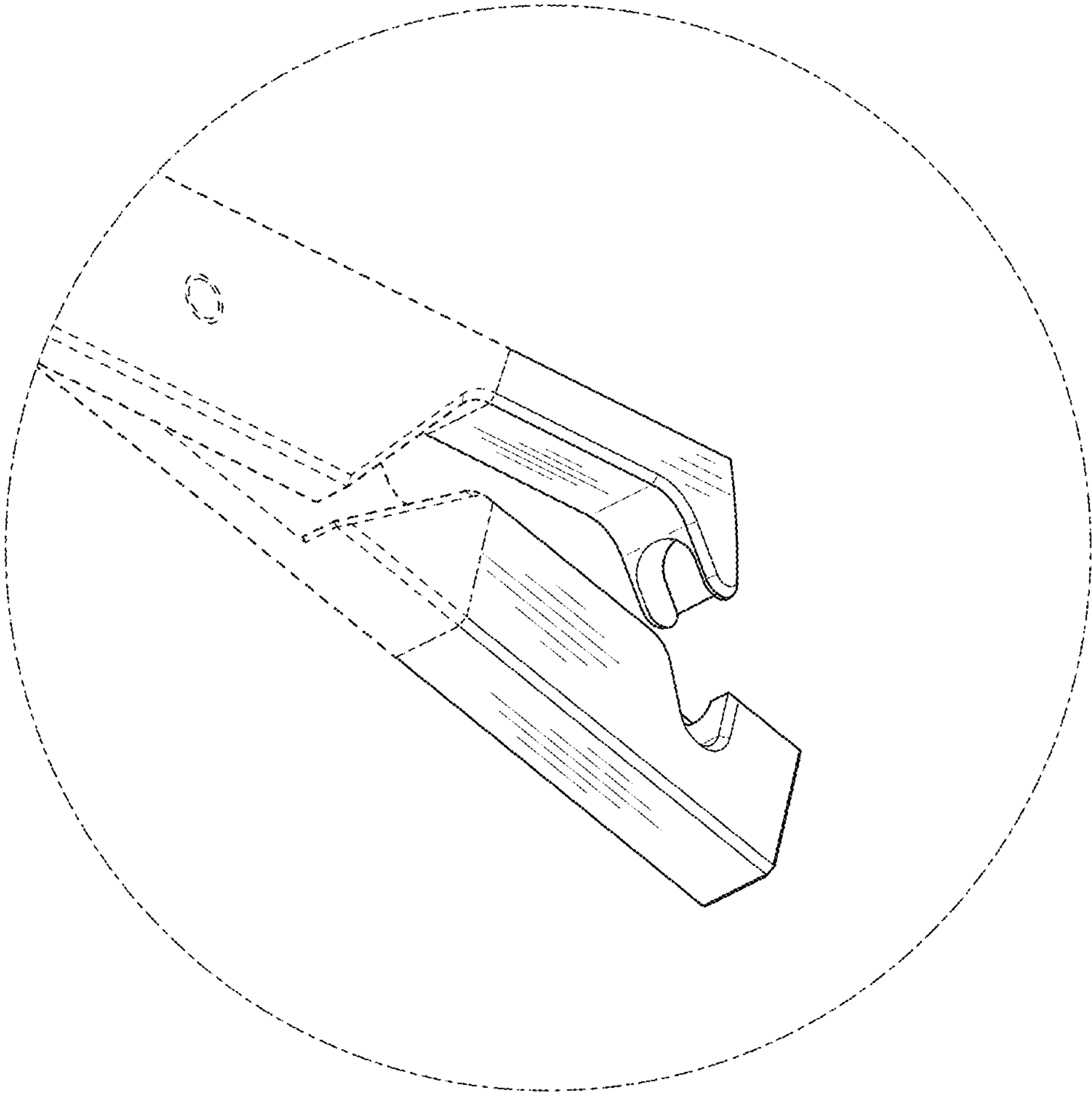


FIG. 14

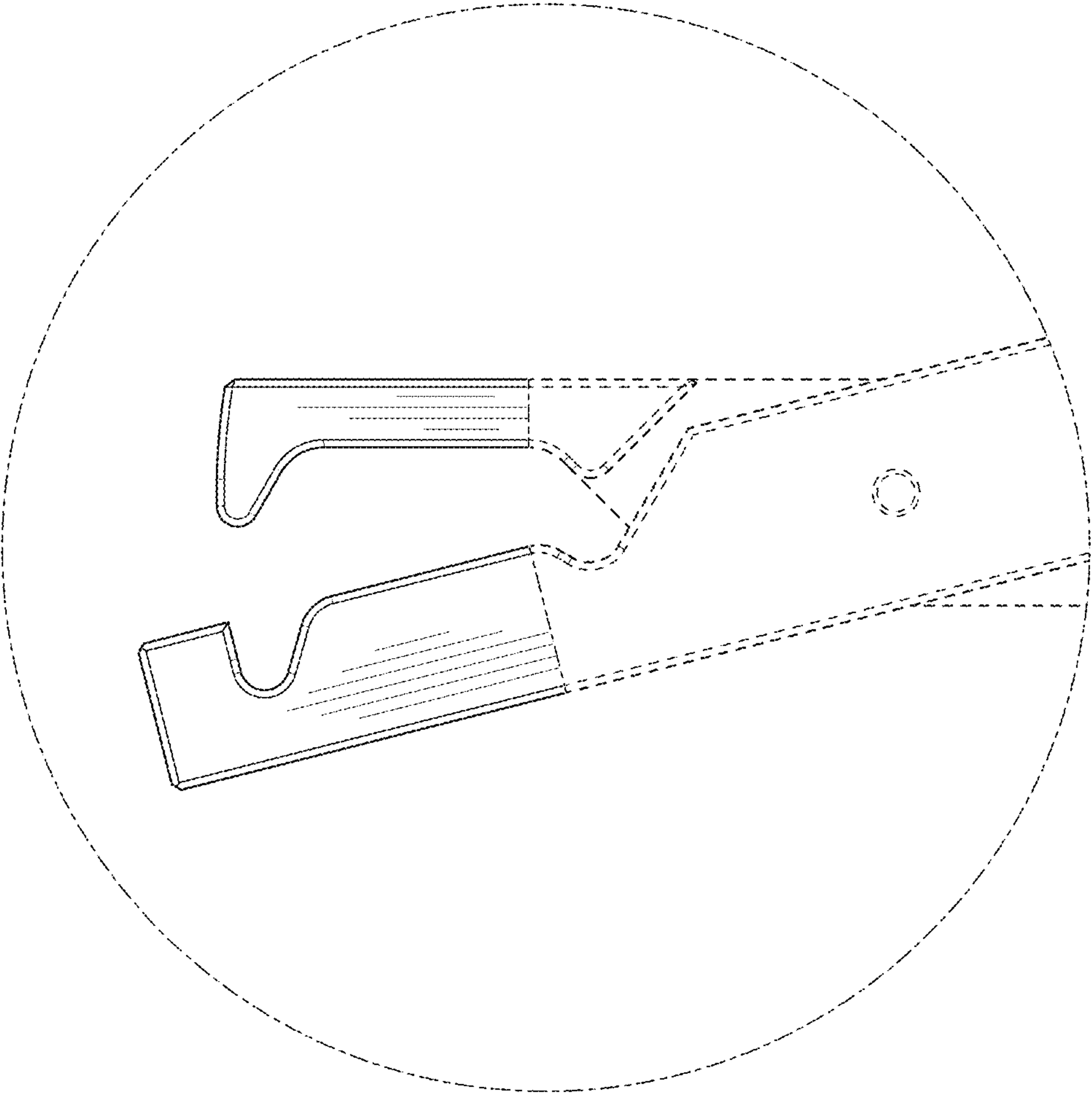


FIG. 15