



US00D831455S

(12) **United States Design Patent** (10) **Patent No.:** **US D831,455 S**  
**Chao** (45) **Date of Patent:** **\*\* Oct. 23, 2018**

(54) **LOAD BINDER WITH REMOVABLE HANDLE**

(71) Applicant: **James Chuan Chao**, Potomac, MD (US)

(72) Inventor: **James Chuan Chao**, Potomac, MD (US)

(\*\*) Term: **15 Years**

(21) Appl. No.: **29/603,257**

(22) Filed: **May 8, 2017**

(51) **LOC (11) Cl.** ..... **08-05**

(52) **U.S. Cl.**  
USPC ..... **D8/44**

(58) **Field of Classification Search**  
USPC ..... D8/31-32, 44-47, 51, 88-89; 24/68 CT, 24/68 CD, 7 R, 270, 273; 254/231-232, 254/235, 258, 368  
CPC .. B25B 25/00; B60P 7/08; B60P 7/083; B60P 7/0838; B60P 7/0853; B65D 63/00; B65D 63/10; B65D 63/14; B65D 71/02; B66D 3/14; B68B 3/12; F16B 21/12; F16G 3/006; F16G 11/12; F16G 15/00; F16G 15/04  
See application file for complete search history.

(56) **References Cited**

**U.S. PATENT DOCUMENTS**

3,988,005 A \* 10/1976 Mooney ..... F16G 15/00  
24/68 CD  
4,500,073 A \* 2/1985 Smith ..... F16G 15/00  
24/68 CT

4,512,062 A \* 4/1985 Crook, Jr. .... B60P 7/0838  
16/429  
D309,854 S \* 8/1990 Smith ..... D8/44  
7,552,913 B1 \* 6/2009 Amoss ..... F16G 11/12  
254/233  
D772,032 S \* 11/2016 Durbin ..... D8/44  
D798,684 S \* 10/2017 Lee ..... D8/70

\* cited by examiner

*Primary Examiner* — Randall H Gholson

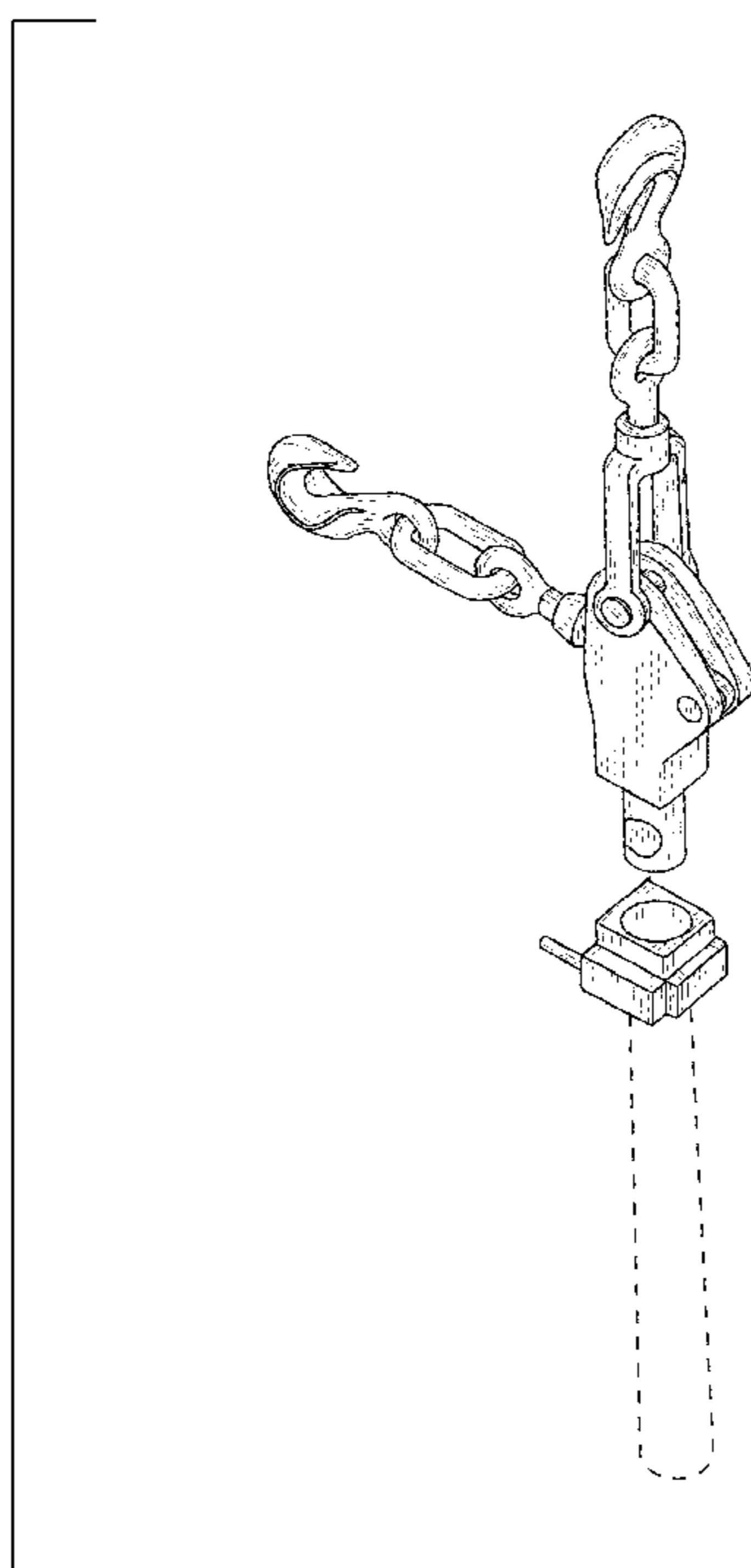
(57) **CLAIM**

The ornamental design for a load binder with a removable handle, as shown and described.

**DESCRIPTION**

FIG. 1 is a top perspective view of the load binder with a removable handle showing our new design; FIG. 2 is a bottom perspective view thereof; FIG. 3 is a front view thereof; FIG. 4 is a rear view thereof; FIG. 5 is a left view thereof; FIG. 6 is a right view thereof; FIG. 7 is a top view thereof; and, FIG. 8 is a bottom view thereof. The broken line showing of the handle in FIGS. 1-6 and FIG. 8 is included for the purpose of showing environmental structure and forms no part of the claimed design.

**1 Claim, 8 Drawing Sheets**



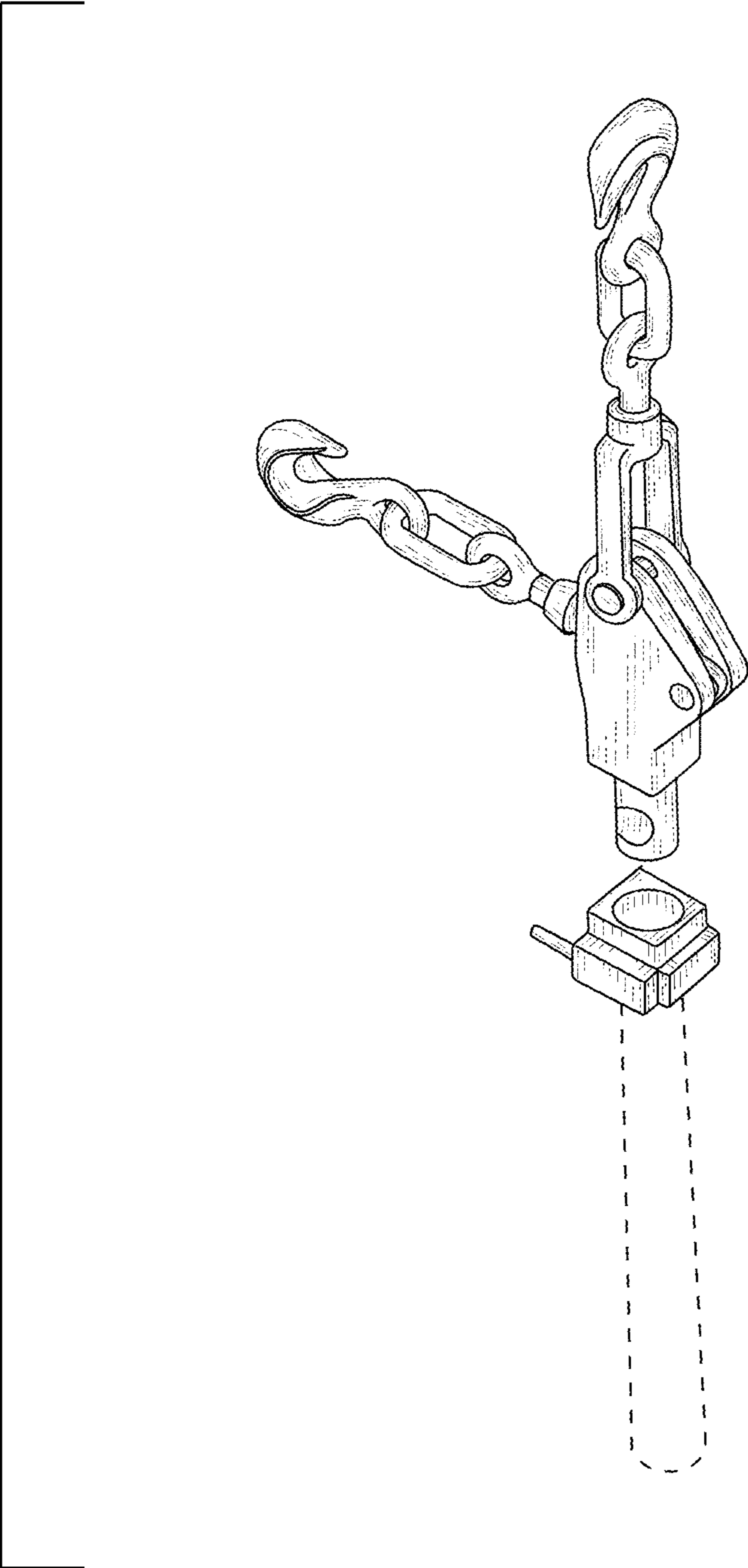


FIG. 1

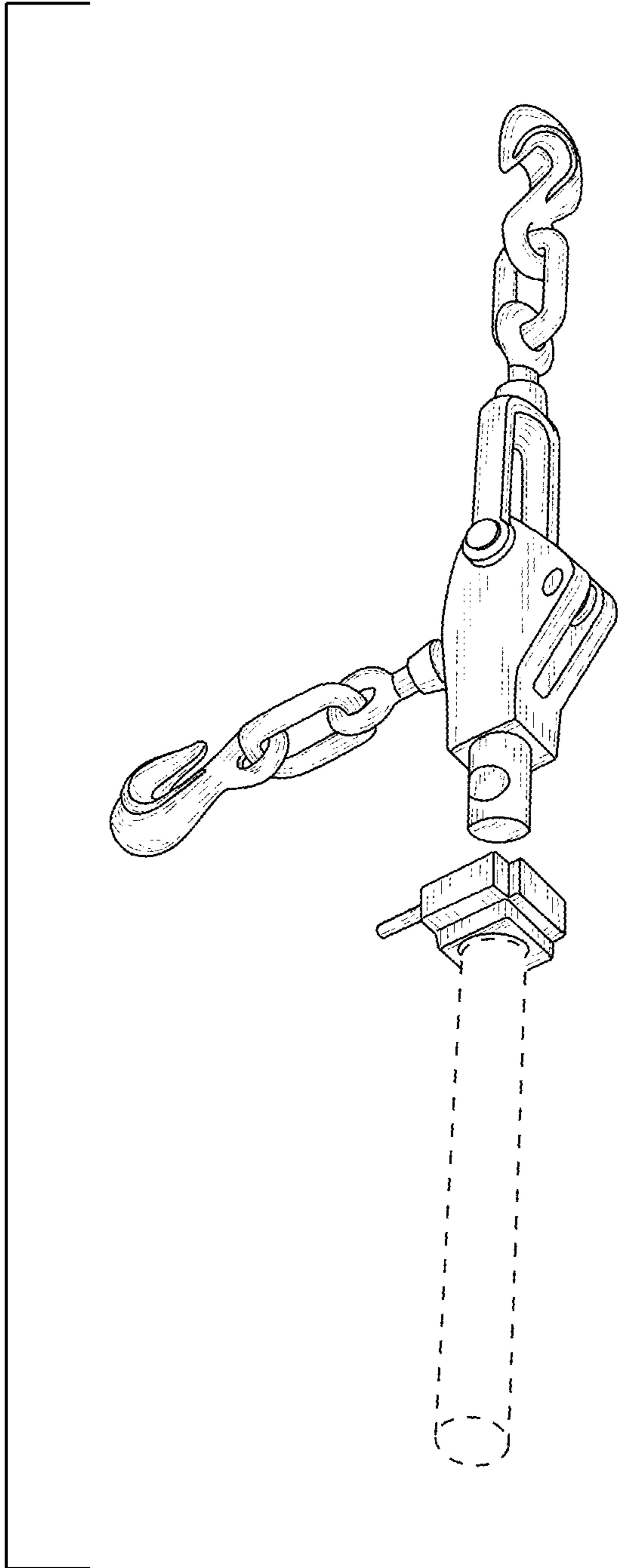


FIG. 2

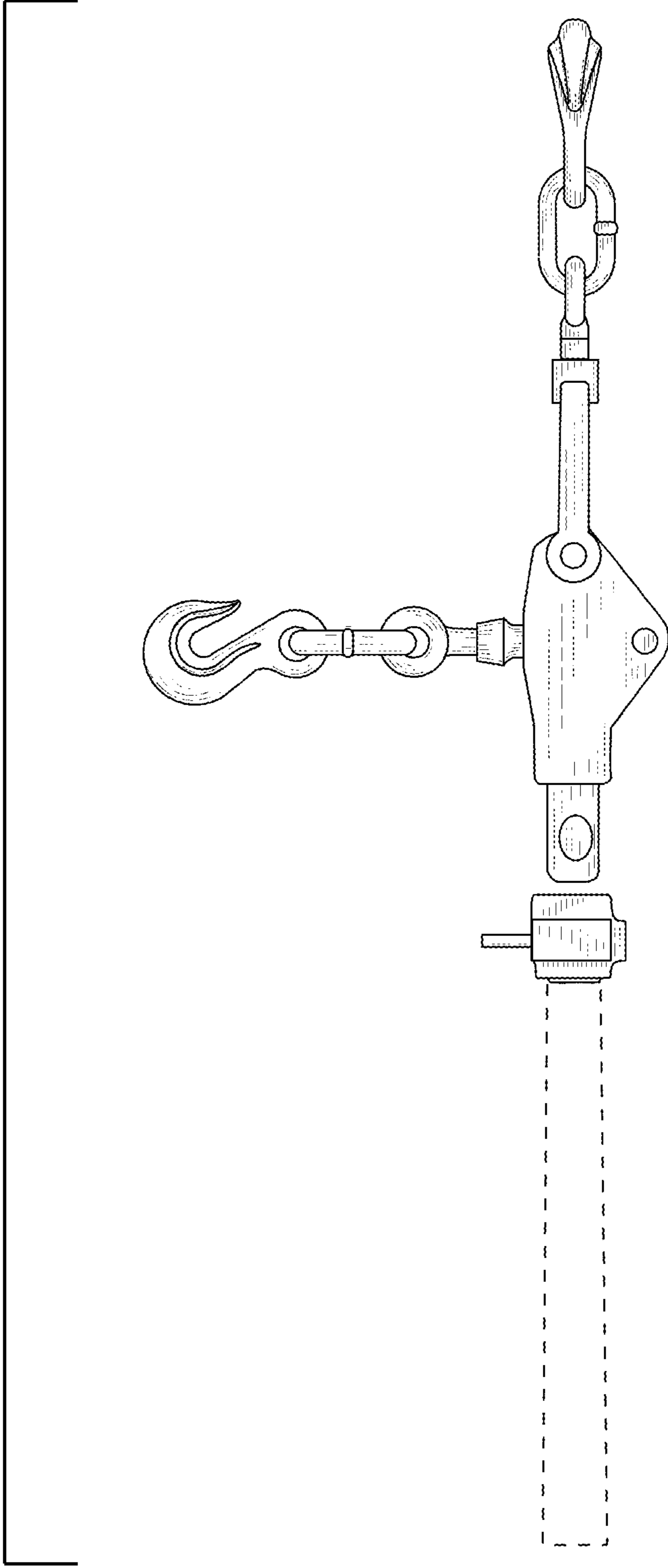


FIG. 3

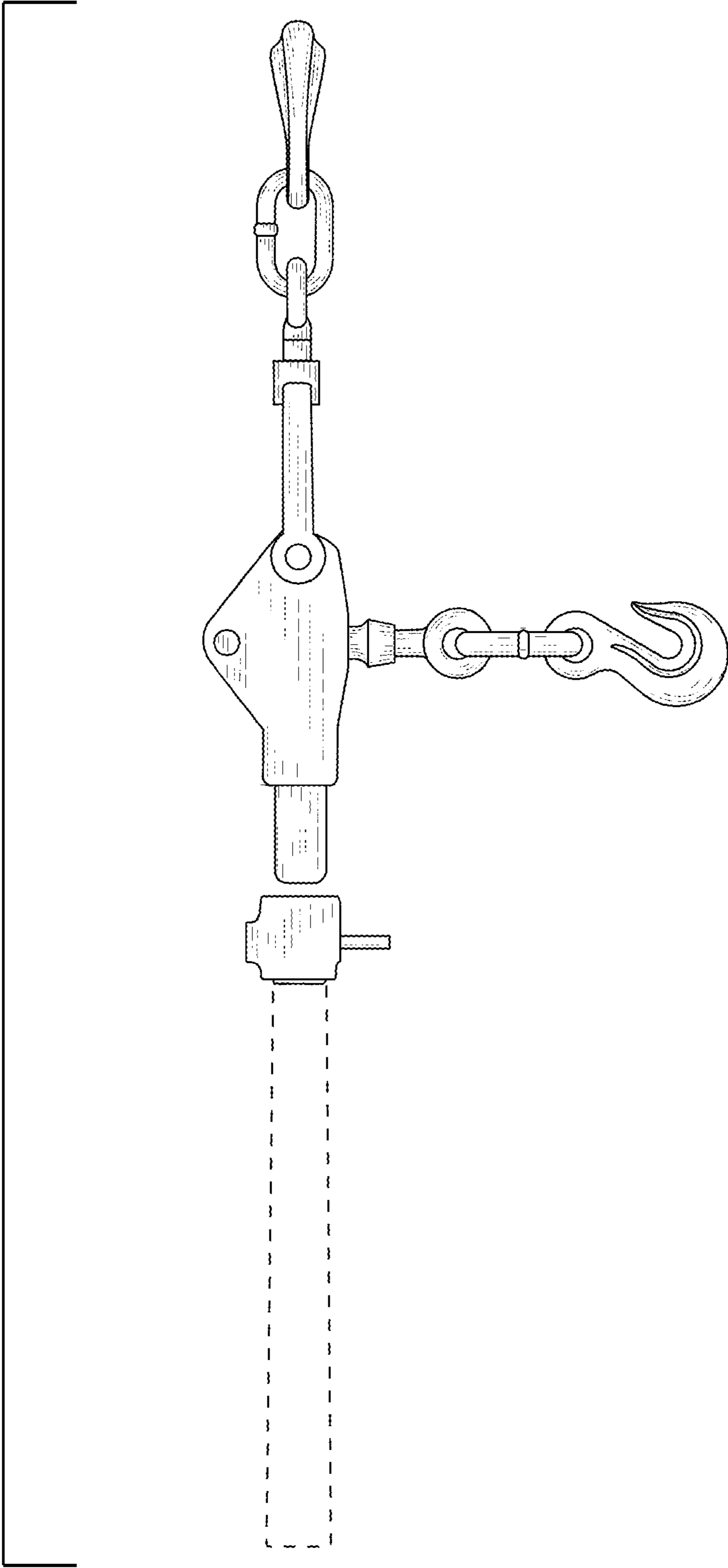


FIG. 4

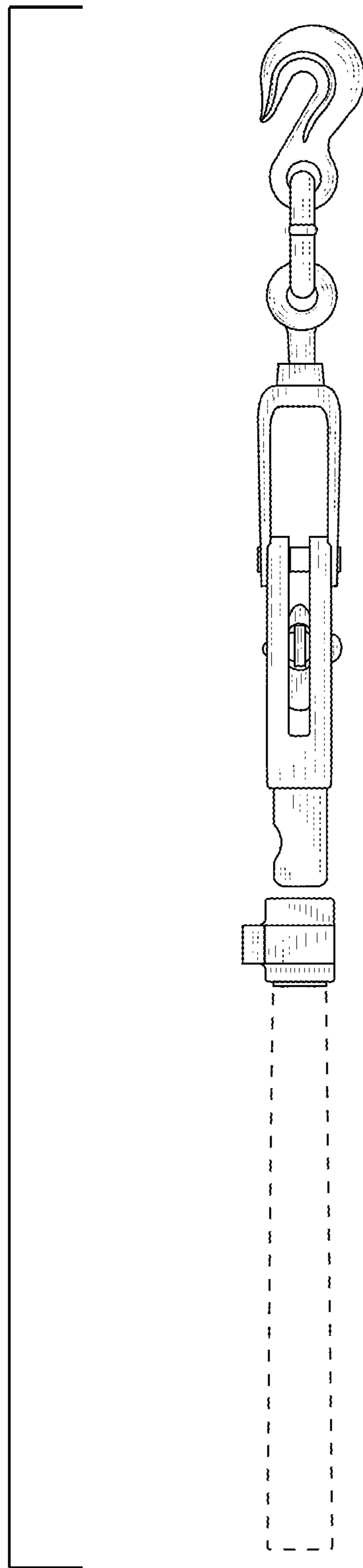


FIG. 5

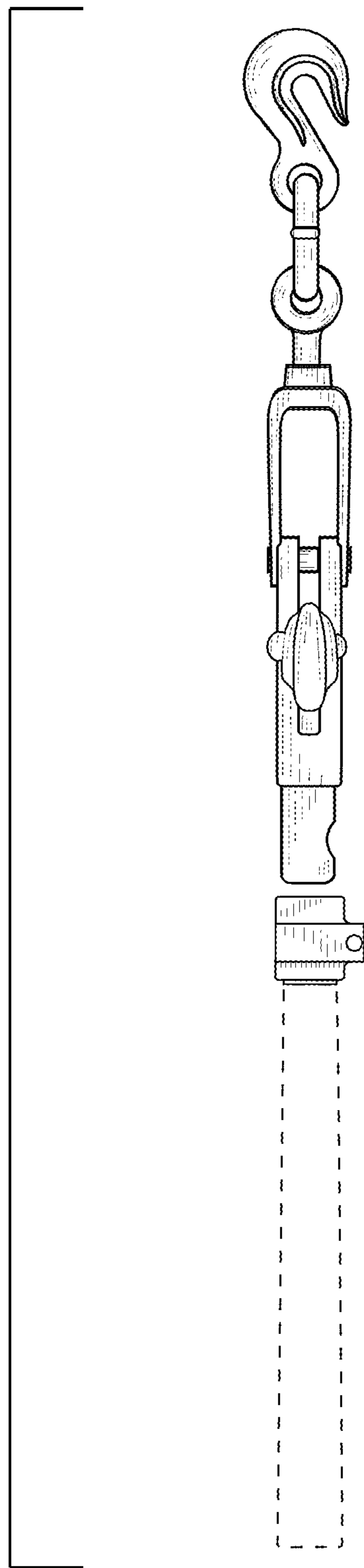


FIG. 6

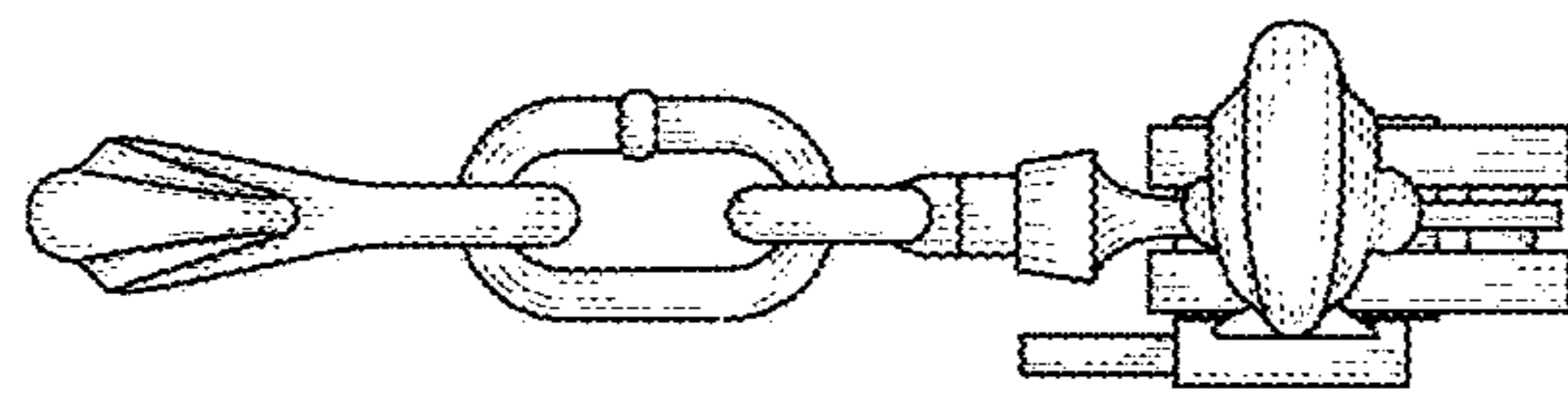


FIG. 7



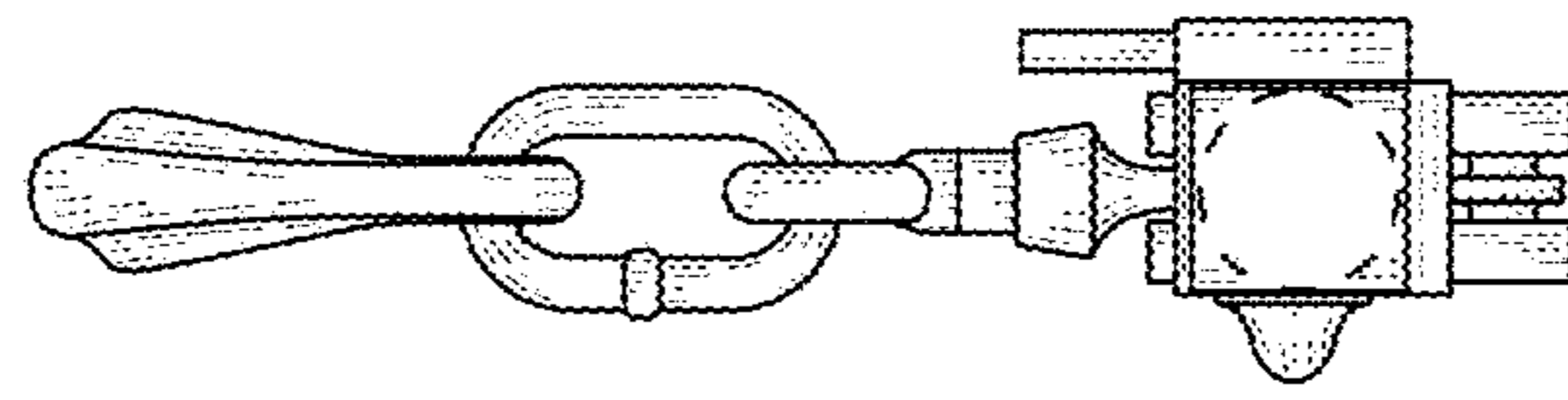


FIG. 8

UNITED STATES PATENT AND TRADEMARK OFFICE  
**CERTIFICATE OF CORRECTION**

PATENT NO. : D831,455 S  
APPLICATION NO. : 29/603257  
DATED : October 23, 2018  
INVENTOR(S) : Chao et al.

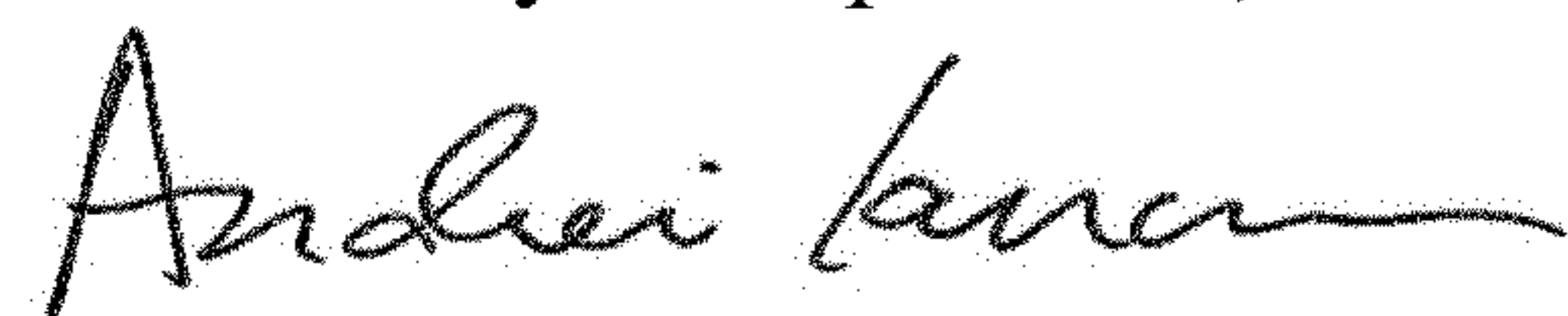
Page 1 of 1

It is certified that error appears in the above-identified patent and that said Letters Patent is hereby corrected as shown below:

On the Title Page

(72) Inventors, please add:  
Jianmin Liu, Potomac, MD (US)

Signed and Sealed this  
Third Day of September, 2019



Andrei Iancu  
*Director of the United States Patent and Trademark Office*