



US00D831452S

(12) **United States Design Patent** (10) **Patent No.:** **US D831,452 S**  
**Rayeski et al.** (45) **Date of Patent:** **\*\* Oct. 23, 2018**

(54) **BOTTLE OPENER** 1,341,513 A \* 5/1920 Morange ..... B67B 7/14  
220/277  
(71) Applicant: **OTTER PRODUCTS, LLC**, Fort Collins, CO (US) 1,578,627 A 3/1926 Baumgarten  
1,715,033 A 5/1929 Hoegger  
1,763,848 A 6/1930 Hoegger  
1,763,849 A 6/1930 Hoegger  
(72) Inventors: **Jonathan B. Rayeski**, Fort Collins, CO 2,533,818 A 12/1950 Krag  
(US); **Patrick J. Nelson**, Loveland, CO 2,677,980 A 5/1954 Dika  
(US); **Jonathan H. Guerdrum**, Fort Collins, CO (US) 2,933,957 A 4/1960 Wendlandt  
2,937,778 A 5/1960 Wall  
4,660,445 A 4/1987 Windom  
(73) Assignee: **Otter Products, LLC**, Fort Collins, CO (US) (Continued)

(\*\*) Term: **15 Years**

(21) Appl. No.: **29/596,187**

(22) Filed: **Mar. 6, 2017**

(51) **LOC (11) Cl.** ..... **07-06**

(52) **U.S. Cl.**  
USPC ..... **D8/34**

(58) **Field of Classification Search**  
USPC ..... D8/18, 33, 34, 40, 43, 88, 89, 105;  
D3/221, 254, 257, 258; D11/1, 7, 14, 17,  
D11/22, 30, 95, 99, 184, 204, 211;  
D21/301, 308, 314, 315, 316, 318, 319,  
D21/386, 398, 698, 701, 708, 712, 713,  
D21/780, 781, 788, 799.1; 30/400, 410;  
81/3.27, 3.29, 3.55; 7/126, 151  
CPC .... B67B 7/00; B67B 7/04; B67B 7/06; B67B  
7/12; B67B 7/14; B67B 7/16; B67B 7/18;  
B67B 7/0423; B25F 1/00  
See application file for complete search history.

(56) **References Cited**

U.S. PATENT DOCUMENTS

715,610 A 12/1902 Sampson  
833,944 A 10/1906 Sommer  
D41,807 S 9/1911 Beach  
D41,895 S 11/1911 Sommer  
1,060,674 A 5/1913 Foster

OTHER PUBLICATIONS

Yeti Coolers, Yeti Accessories & Parts, downloaded from <http://yeti.com/accessories> May 8, 2017, 5 pages.

Primary Examiner — Wan Laymon  
Assistant Examiner — Clint A Samuel

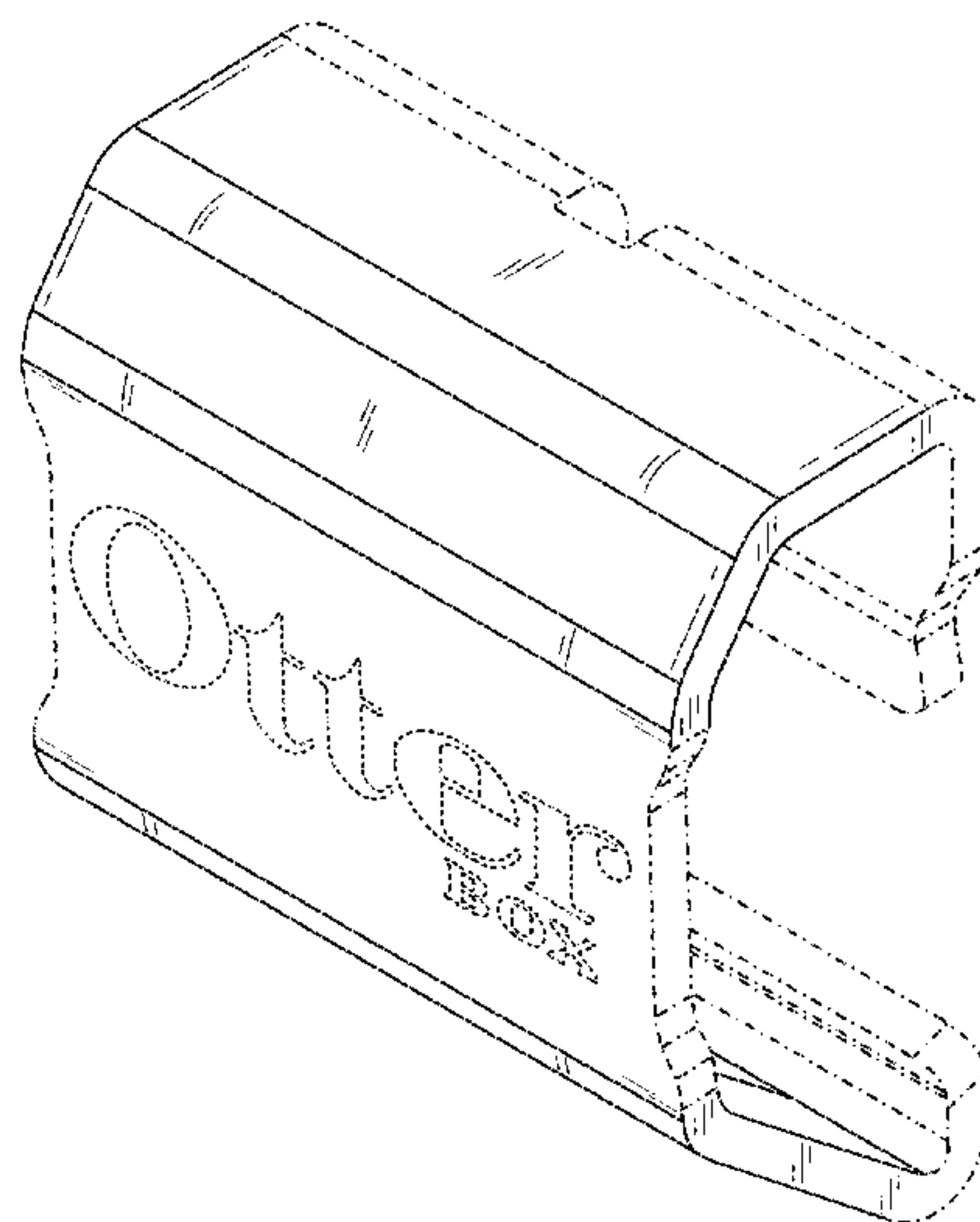
(57) **CLAIM**

The ornamental design for a bottle opener, as shown and described.

**DESCRIPTION**

FIG. 1 is a front isometric view of a bottle opener showing our new design;  
FIG. 2 is a rear isometric view thereof;  
FIG. 3 is a front view thereof;  
FIG. 4 is a rear view thereof;  
FIG. 5 is a left view thereof;  
FIG. 6 is a right view thereof;  
FIG. 7 is a top view thereof; and,  
FIG. 8 is a bottom view thereof.  
The dot-dash broken lines throughout the drawings represent a boundary of the claimed design. The dash-dash broken lines throughout the drawing figures depict portions of the bottle opener that form no part of the claimed design. The broken lines and unshaded surfaces bounded by broken lines form no part of the claimed design.

**1 Claim, 7 Drawing Sheets**



(56)

References Cited

U.S. PATENT DOCUMENTS

4,979,407 A 12/1990 Hernandez et al.  
 5,842,594 A \* 12/1998 Ibara ..... B65D 51/007  
 220/314  
 D420,265 S 2/2000 Pierce  
 6,286,392 B1 9/2001 Smith  
 D473,434 S \* 4/2003 Coburn ..... D8/18  
 D515,904 S \* 2/2006 Long ..... D8/105  
 D519,011 S \* 4/2006 Lister ..... D8/38  
 7,383,754 B2 \* 6/2008 Rebordinos Villalba .....  
 B67B 7/16  
 81/3.25  
 D580,244 S \* 11/2008 Smith ..... D8/34  
 D594,721 S \* 6/2009 Smith ..... D8/18  
 D613,140 S \* 4/2010 Smith ..... D8/34  
 8,205,527 B2 \* 6/2012 Chenelia ..... A44B 11/005  
 81/3.09  
 D712,223 S 9/2014 Romley  
 D714,185 S \* 9/2014 Kelleghan ..... D11/218  
 D715,610 S 10/2014 Almsberger et al.

D729,025 S 5/2015 Chance  
 D730,131 S 5/2015 Cornell  
 D733,512 S 7/2015 Hille et al.  
 D733,799 S 7/2015 Dixon  
 D736,046 S 8/2015 Crane  
 D736,454 S \* 8/2015 Audibert ..... D27/183  
 D739,194 S 9/2015 Kieu  
 D739,195 S 9/2015 Scharch  
 D740,093 S 10/2015 Corredor-Londono  
 D741,673 S 10/2015 Seiders et al.  
 D741,674 S 10/2015 Seiders  
 D749,383 S 2/2016 Crane  
 D751,360 S 3/2016 Oakley  
 9,359,180 B1 6/2016 Visconti  
 D761,072 S \* 7/2016 Chang ..... D8/89  
 D766,687 S 9/2016 Arcomano  
 D800,522 S \* 10/2017 Talarico ..... D8/18  
 D805,864 S \* 12/2017 Stangeland ..... D8/18  
 D805,866 S 12/2017 Seiders et al.  
 D805,867 S 12/2017 Seiders et al.  
 D805,868 S 12/2017 Seiders et al.  
 2011/0079110 A1 4/2011 Previte

\* cited by examiner

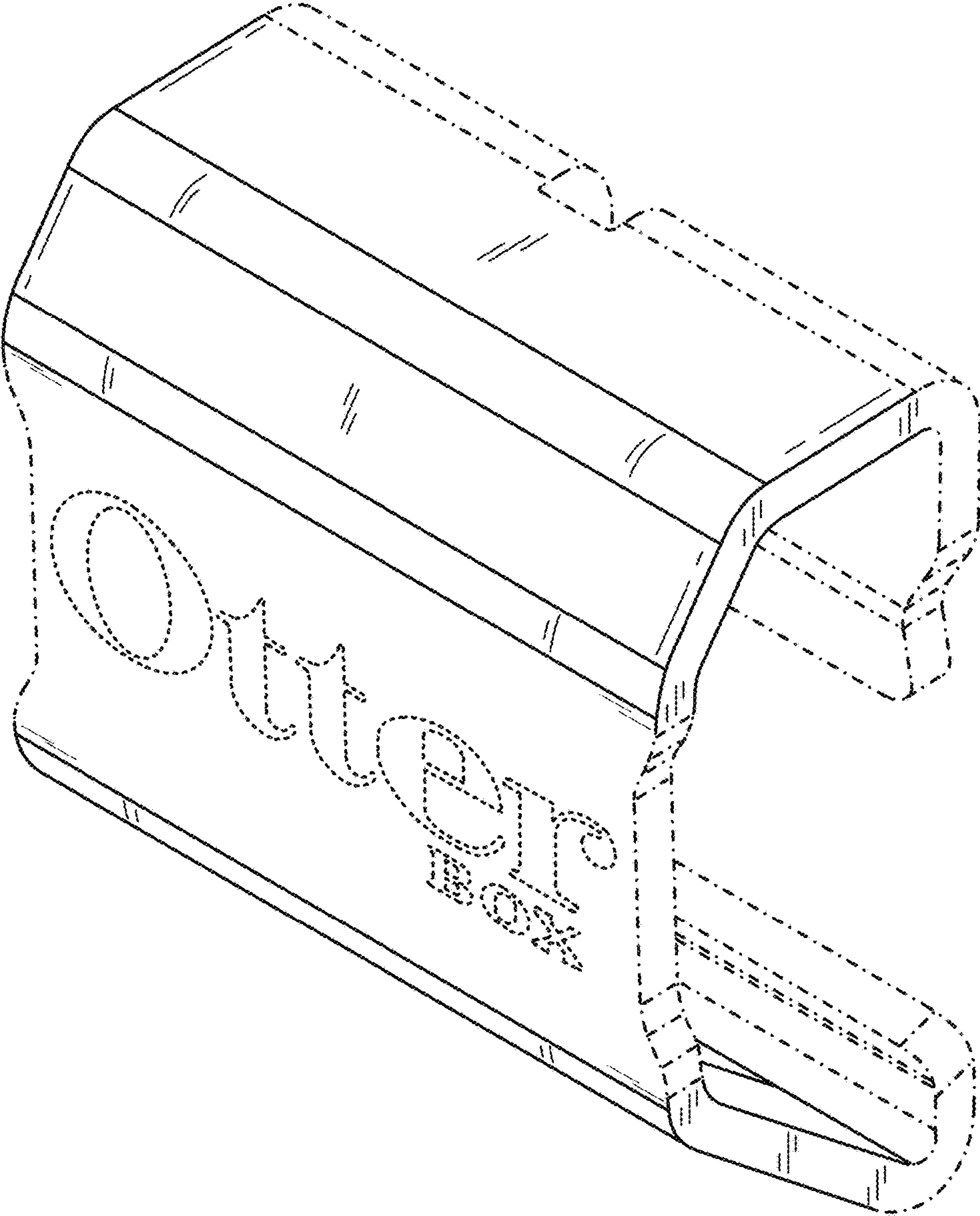


FIG. 1

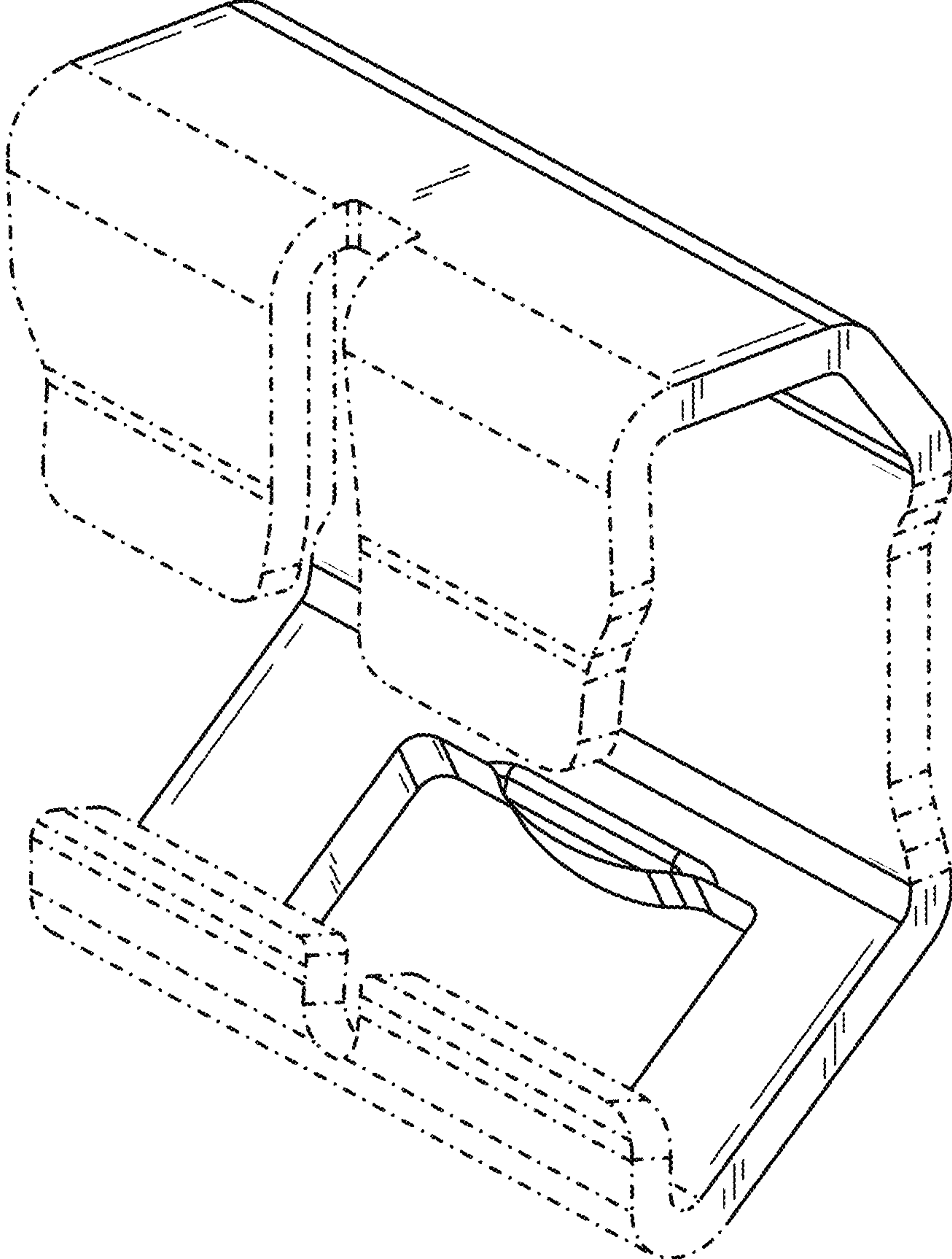


FIG. 2



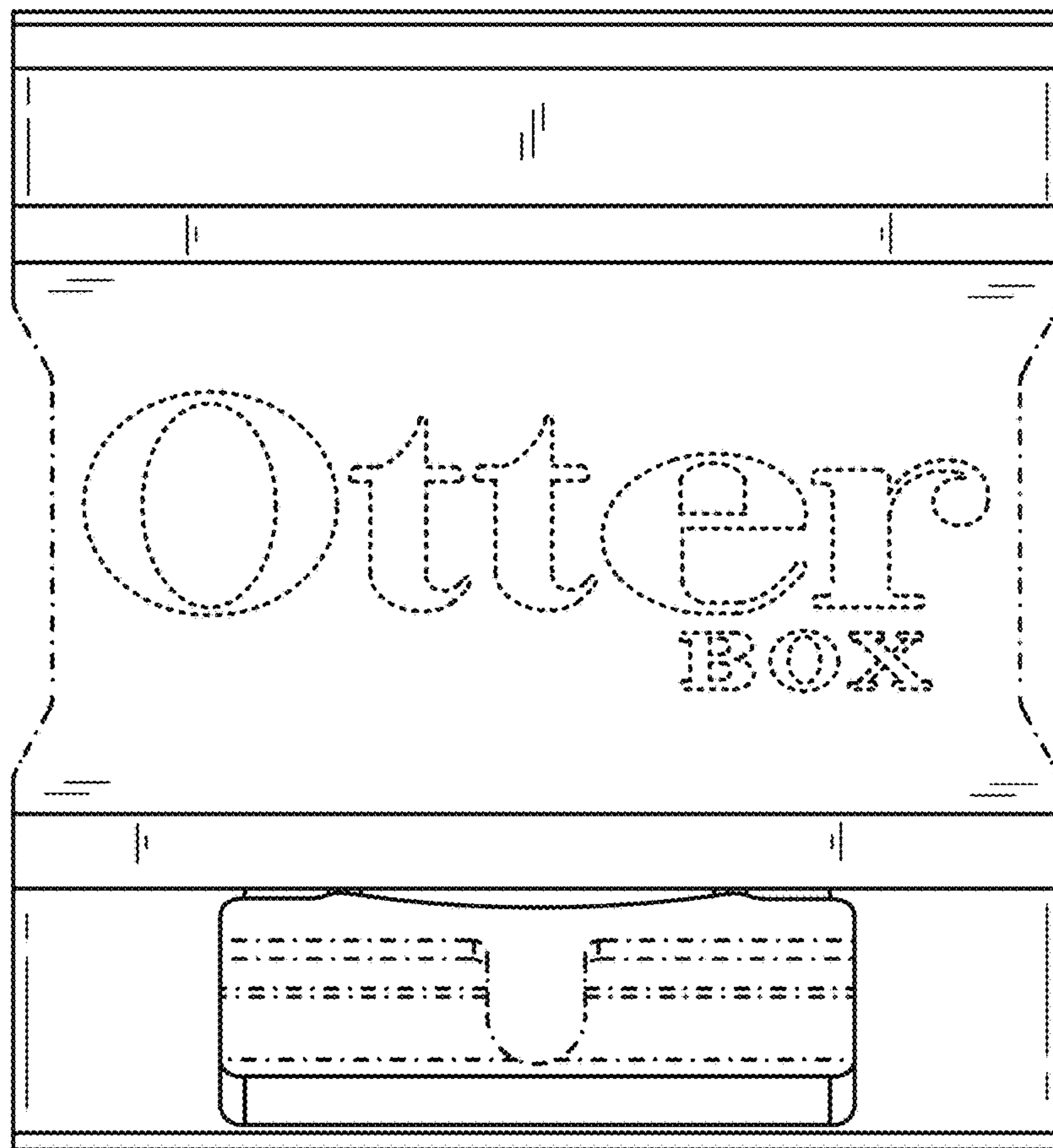


FIG. 3

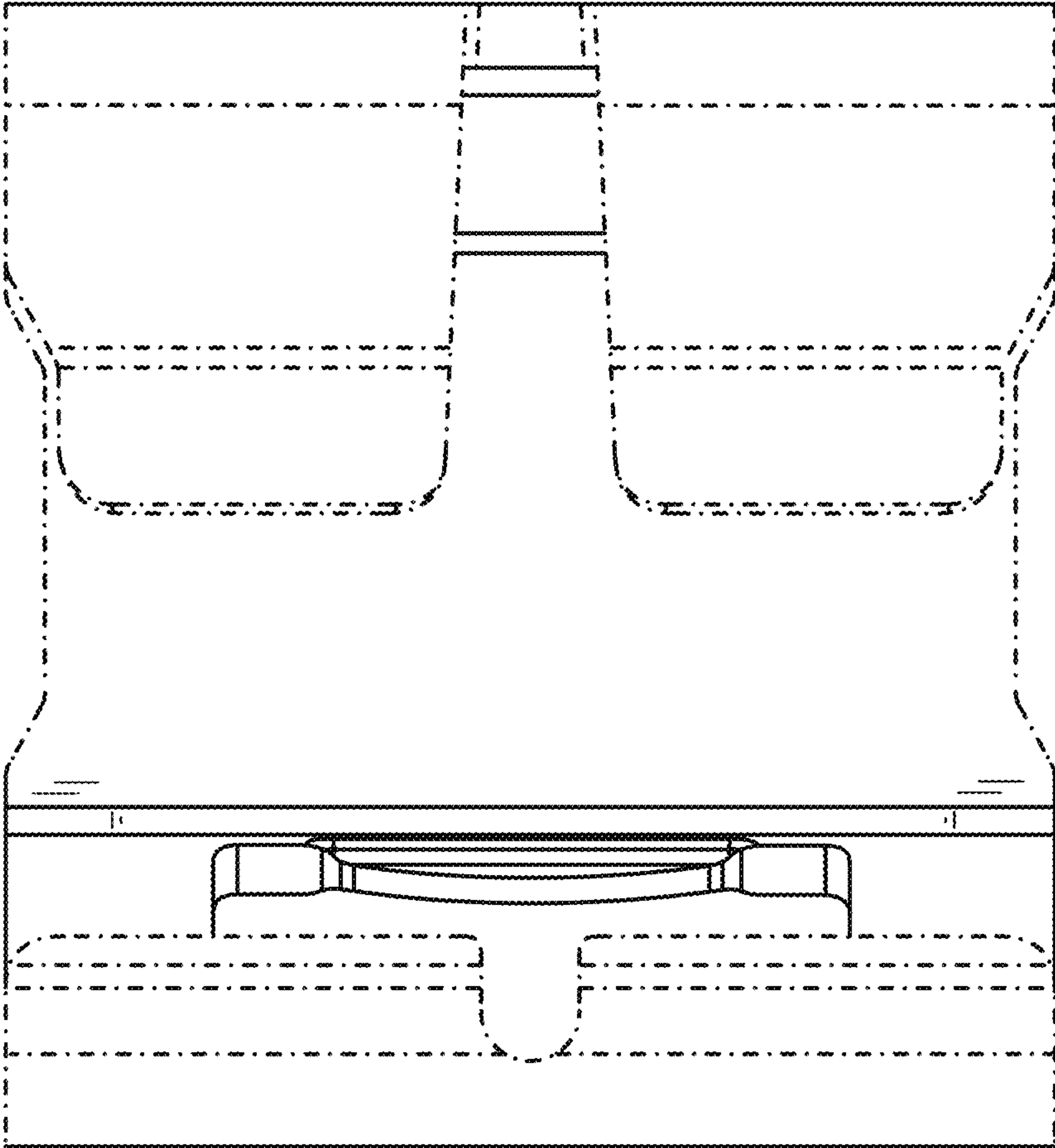


FIG. 4

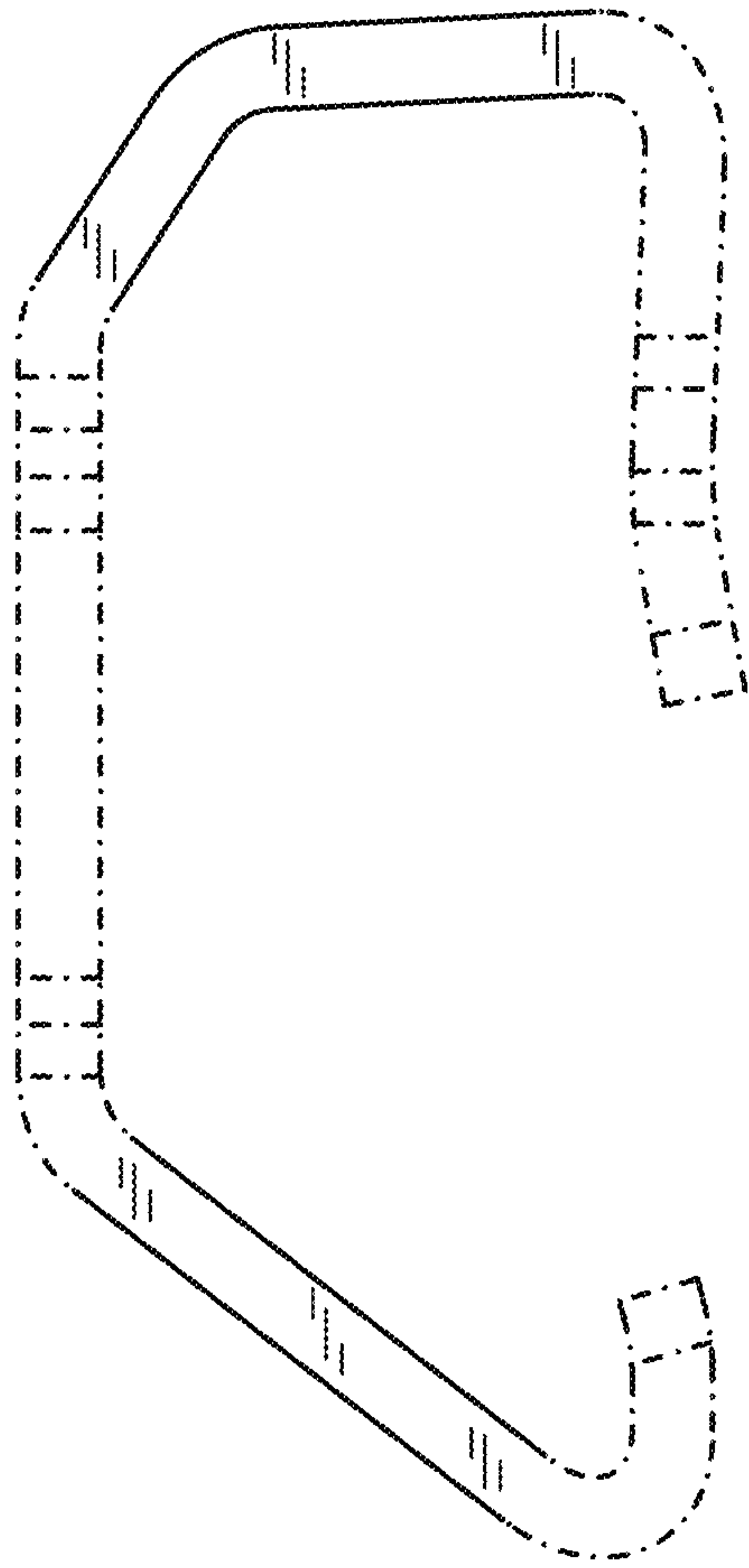


FIG. 5

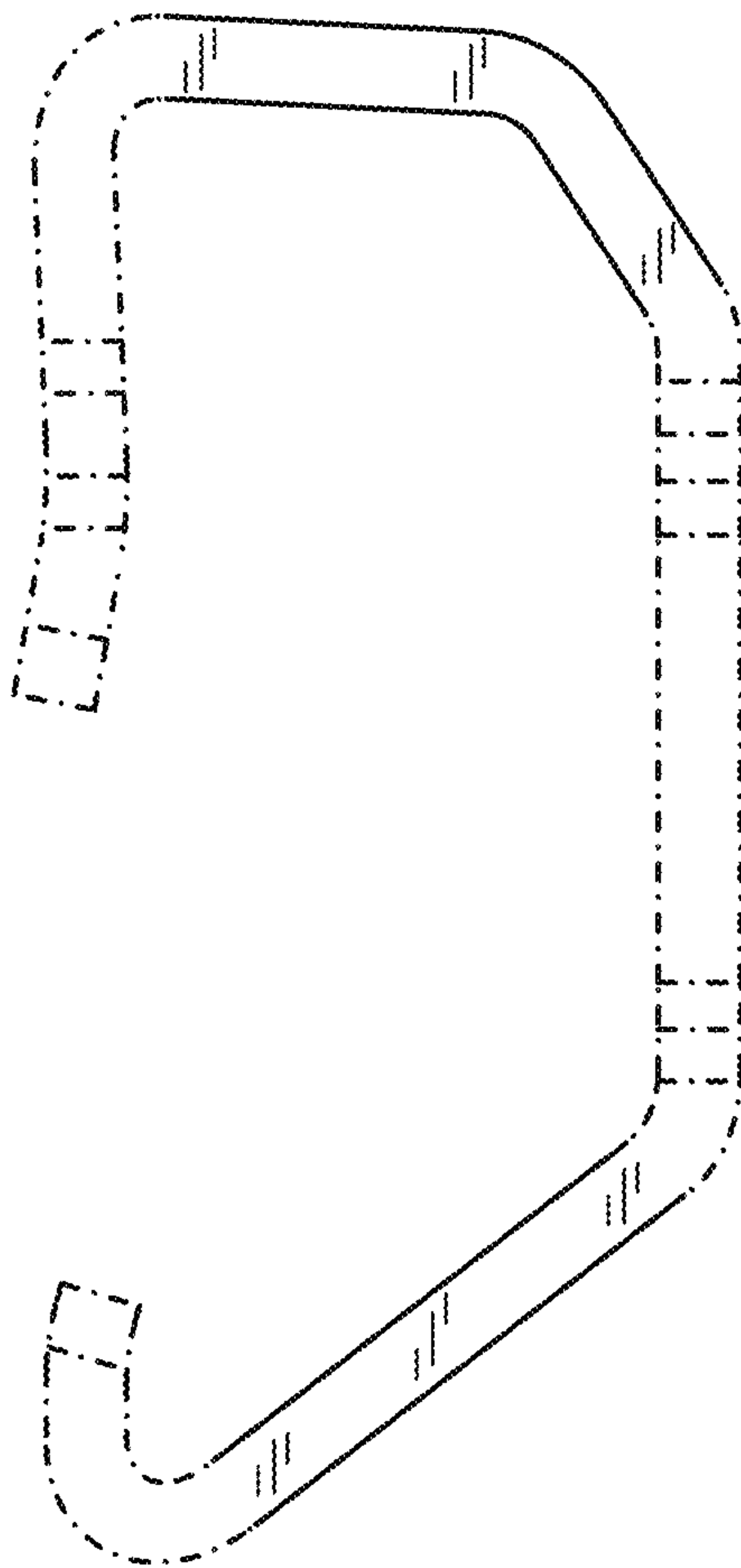


FIG. 6



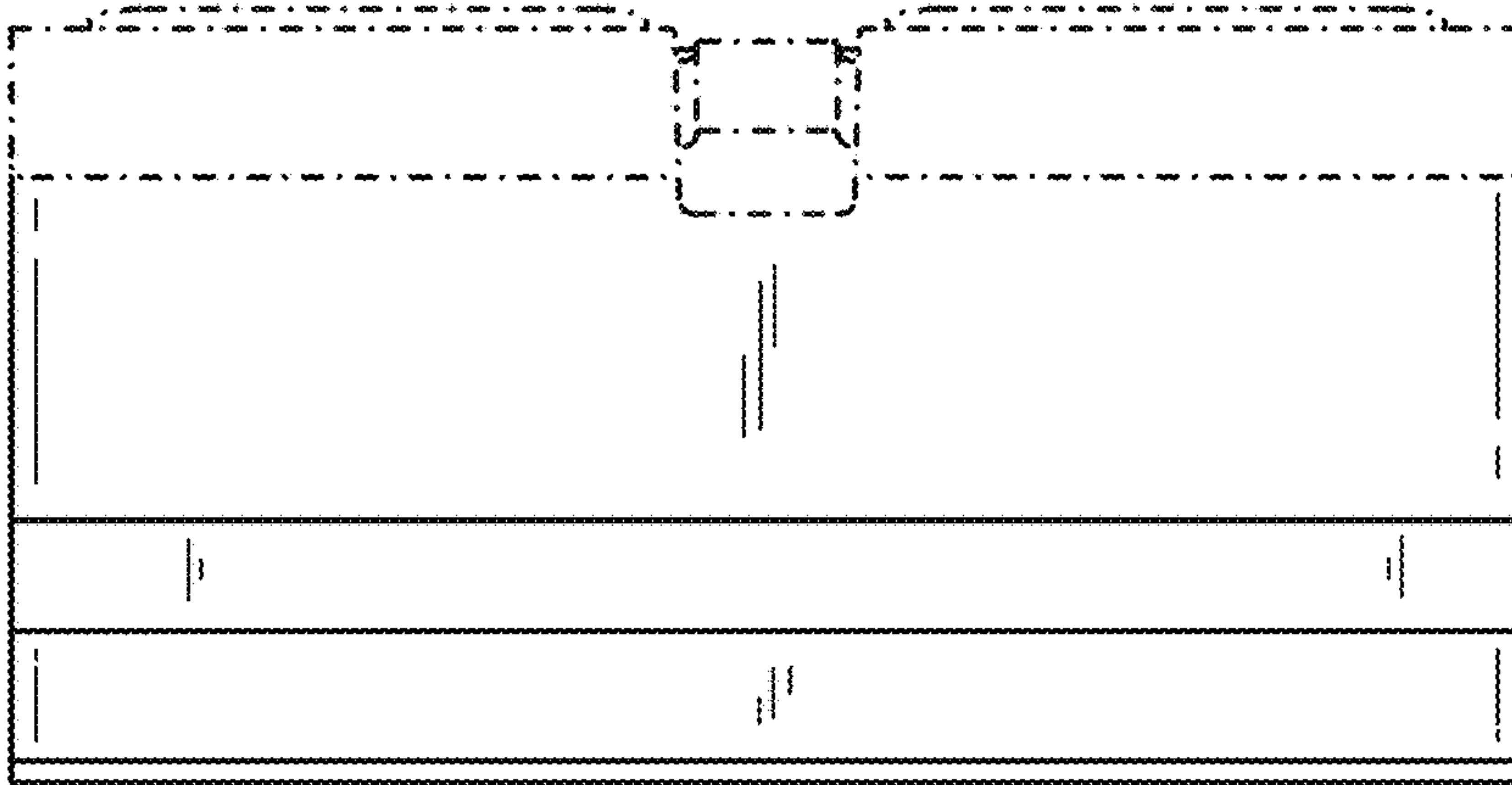


FIG. 7

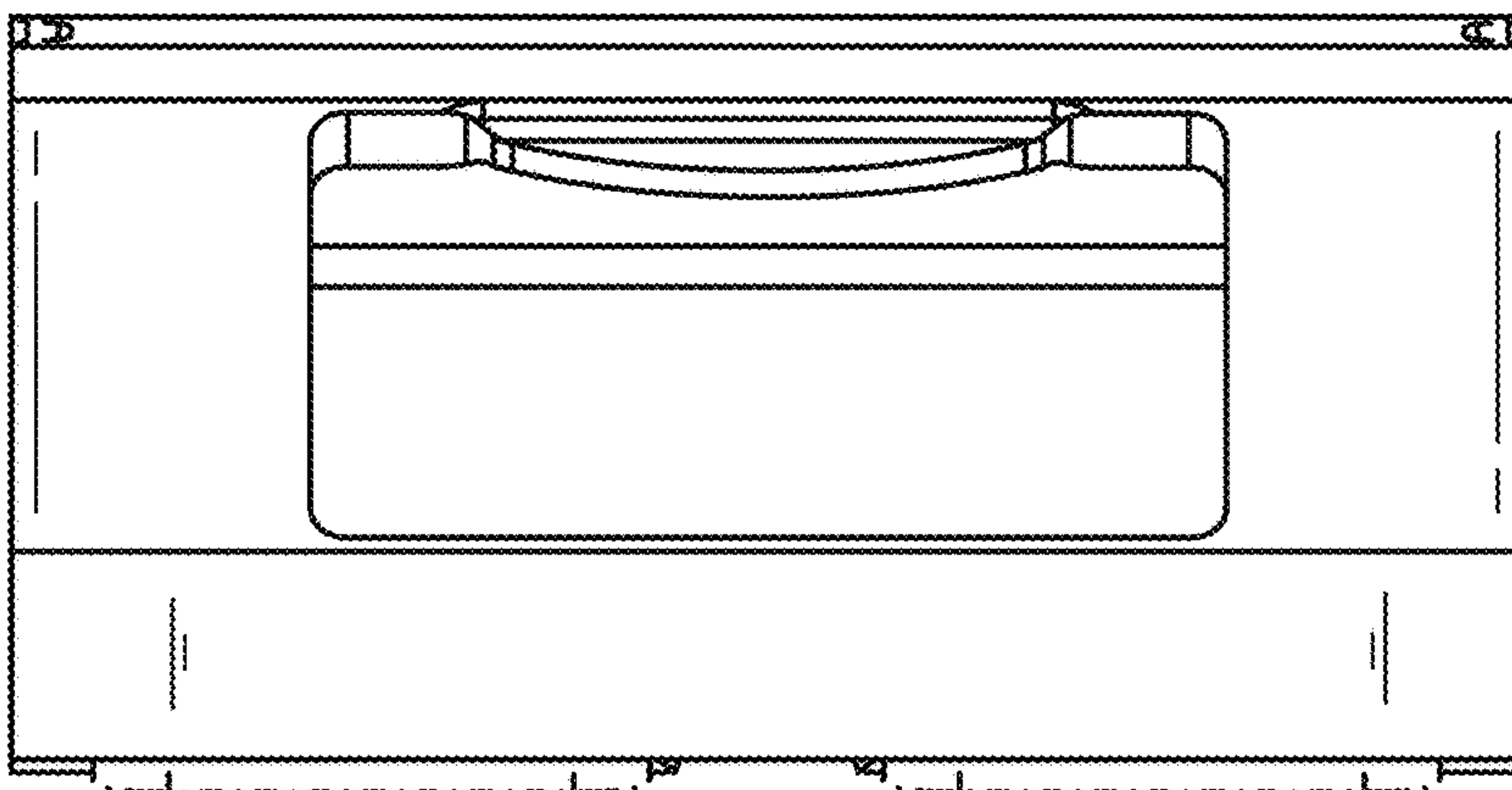


FIG. 8