



US00D831450S

(12) **United States Design Patent**  
**Arvinte et al.**

(10) **Patent No.:** **US D831,450 S**  
(45) **Date of Patent:** **\*\* Oct. 23, 2018**

- (54) **MULTI-TOOL PULLER**
- (71) Applicant: **A. RICHARD TOOLS CO./OUTILS**  
**A. RICHARD CO.,** Berthierville (CA)
- (72) Inventors: **Roméo Arvinte,** Laval-des-Rapides (CA); **François Panfili,** Berthierville (CA)
- (73) Assignee: **A. RICHARD TOOLS CO./OUTILS**  
**A. RICHARD CO.,** Berthierville, Quebec (CA)

5,850,657 A \* 12/1998 List ..... A47L 13/08  
15/105  
D469,230 S \* 1/2003 Libman ..... D32/41  
D567,052 S \* 4/2008 Vandenberghe ..... D8/47  
D627,617 S \* 11/2010 Chambers ..... D8/89  
8,365,378 B1 2/2013 Lenart  
8,955,827 B2 \* 2/2015 Brown ..... B25F 1/006  
254/21  
D737,650 S \* 9/2015 Allen ..... B66F 15/00  
D8/105  
2013/0263382 A1 \* 10/2013 Sindt ..... B25C 11/00  
7/166

(\*\*) Term: **15 Years**

\* cited by examiner

*Primary Examiner* — Philip S Hyder

(21) Appl. No.: **29/603,393**

(74) *Attorney, Agent, or Firm* — Merchant & Gould P.C.

(22) Filed: **May 9, 2017**

(57) **CLAIM**

(51) **LOC (11) Cl.** ..... **08-05**

The ornamental design for a multi-tool puller, as shown and described.

(52) **U.S. Cl.**

**DESCRIPTION**

USPC ..... **D8/14**

(58) **Field of Classification Search**

USPC ..... D8/10, 11, 14; D32/42, 49; D7/688  
CPC . B60S 3/045; A47L 1/16; A47L 13/08; B27G  
17/00; B25B 33/00

FIG. 1 is a top perspective view of a multi-tool puller;  
FIG. 2 is a rear perspective view thereof;  
FIG. 3 is a left side view thereof;  
FIG. 4 is a right side view thereof;  
FIG. 5 is a top view thereof;  
FIG. 6 is a bottom view thereof;  
FIG. 7 is a front view thereof; and,  
FIG. 8 is a rear view thereof.

See application file for complete search history.

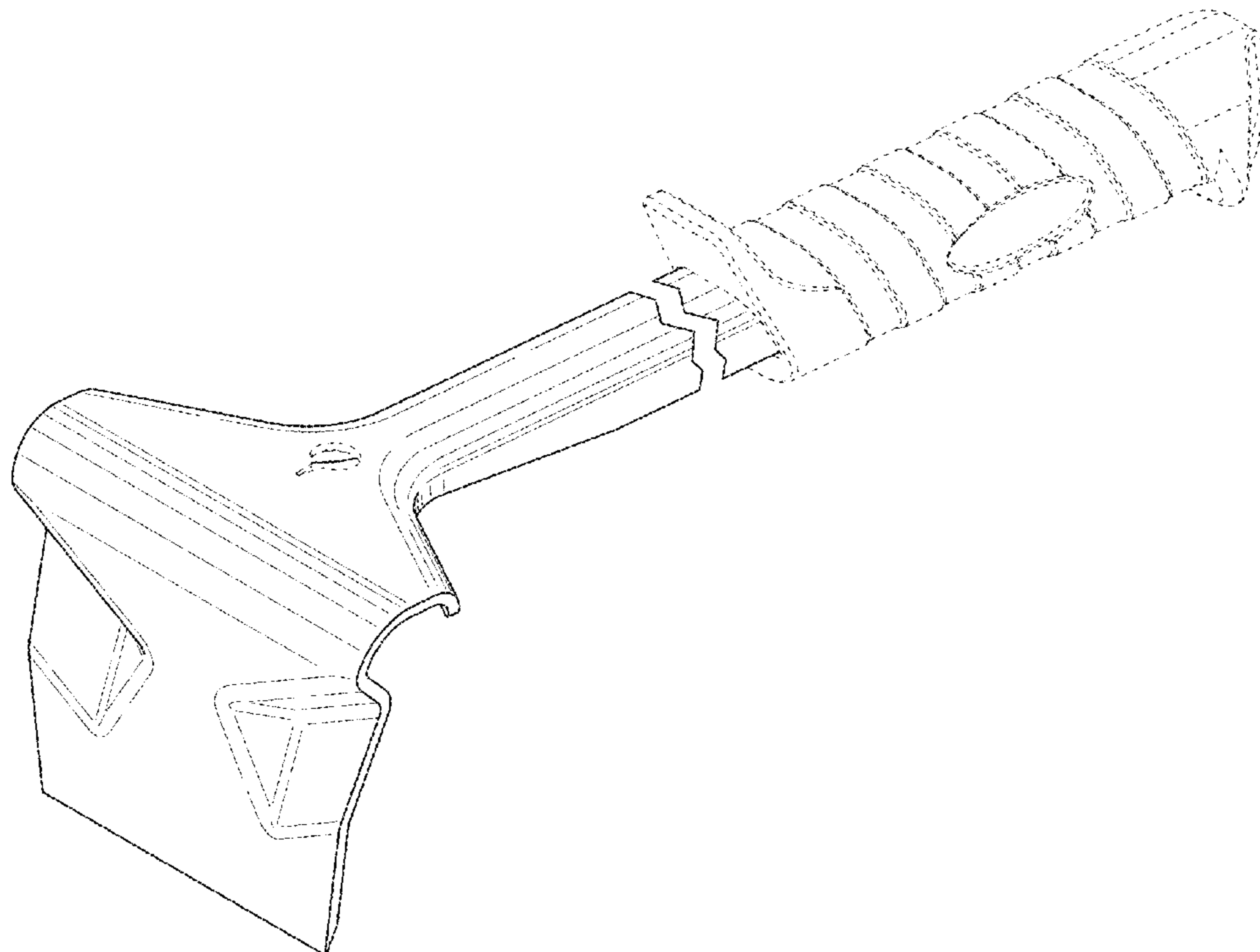
The portions shown in broken lines form no part of the claimed design.

(56) **References Cited**

U.S. PATENT DOCUMENTS

D258,111 S \* 2/1981 Christen, Jr. .... D32/49  
D265,506 S \* 7/1982 Finamore ..... D24/147  
4,463,631 A 8/1984 Barnes et al.

**1 Claim, 8 Drawing Sheets**



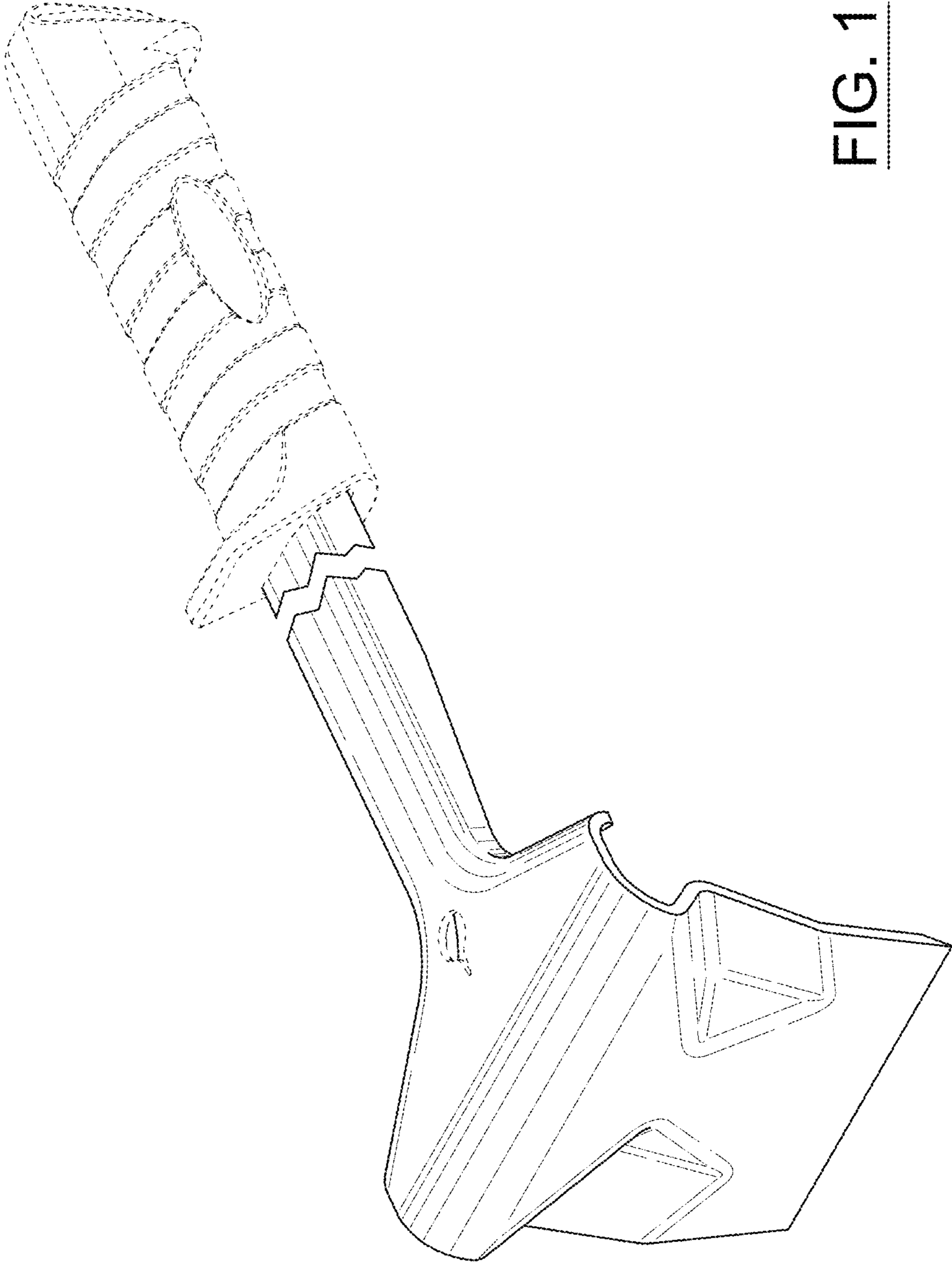


FIG. 1

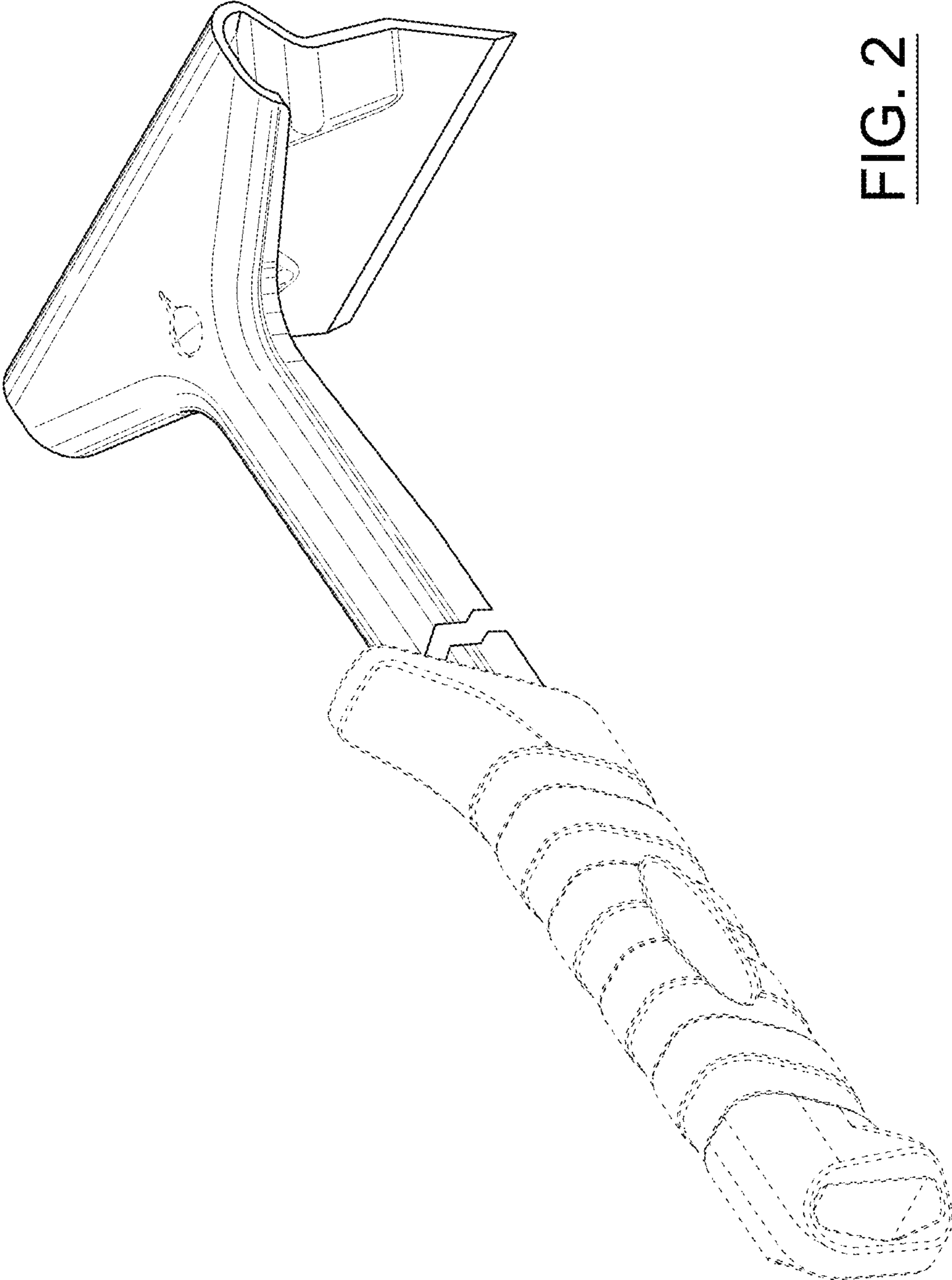


FIG. 2

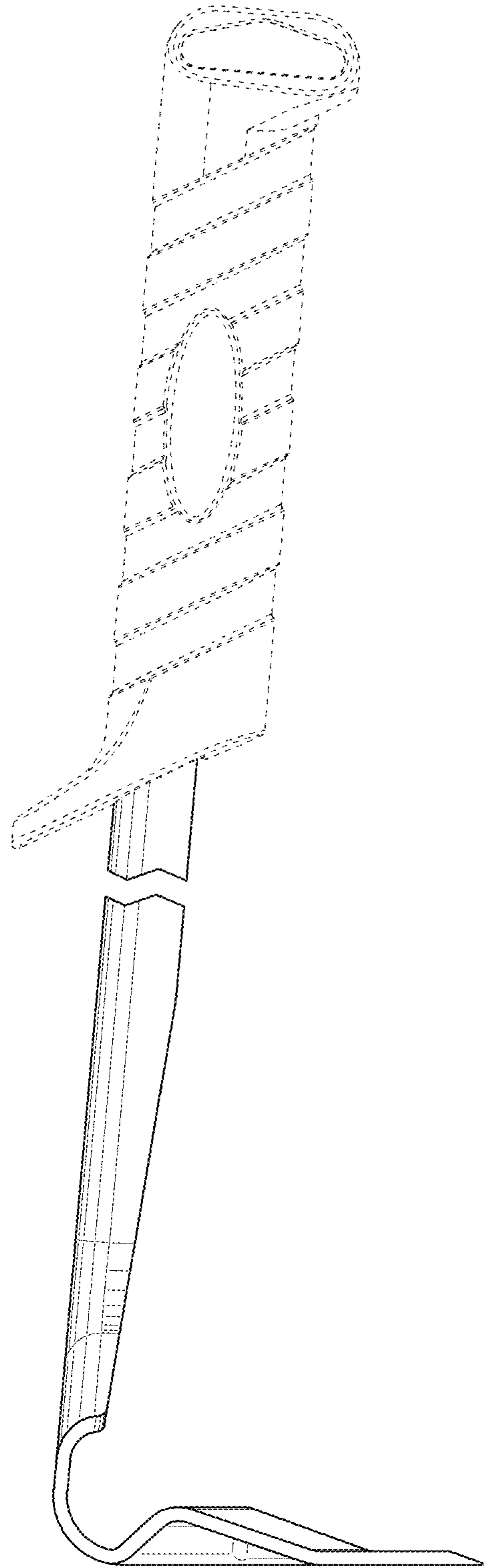


FIG. 3

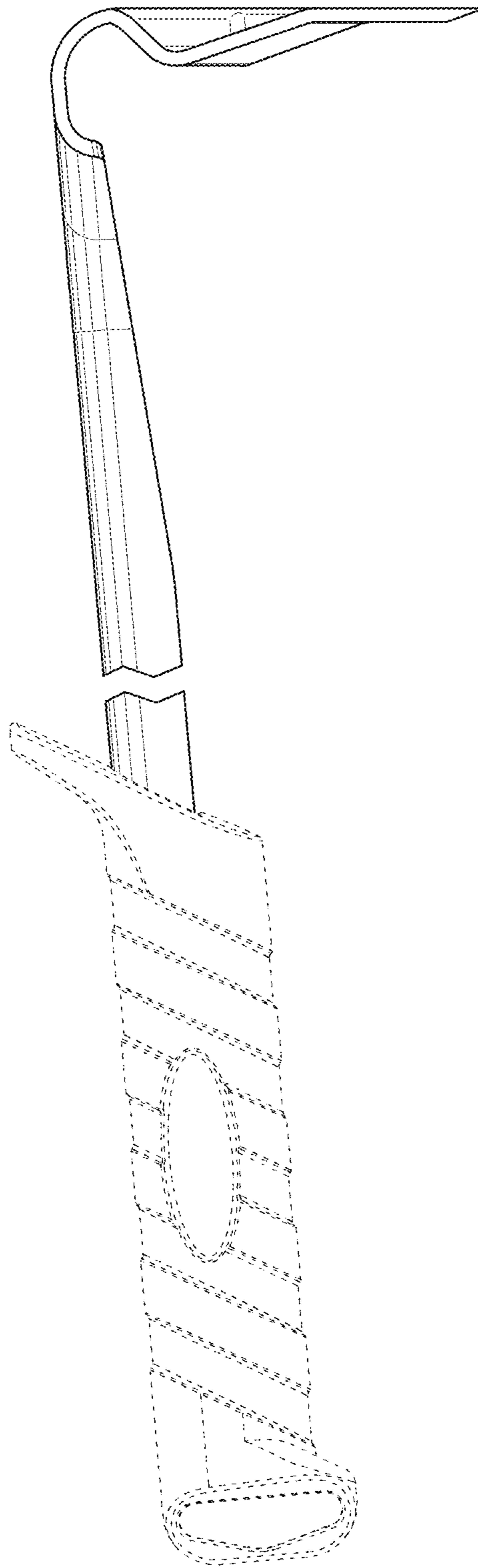


FIG. 4

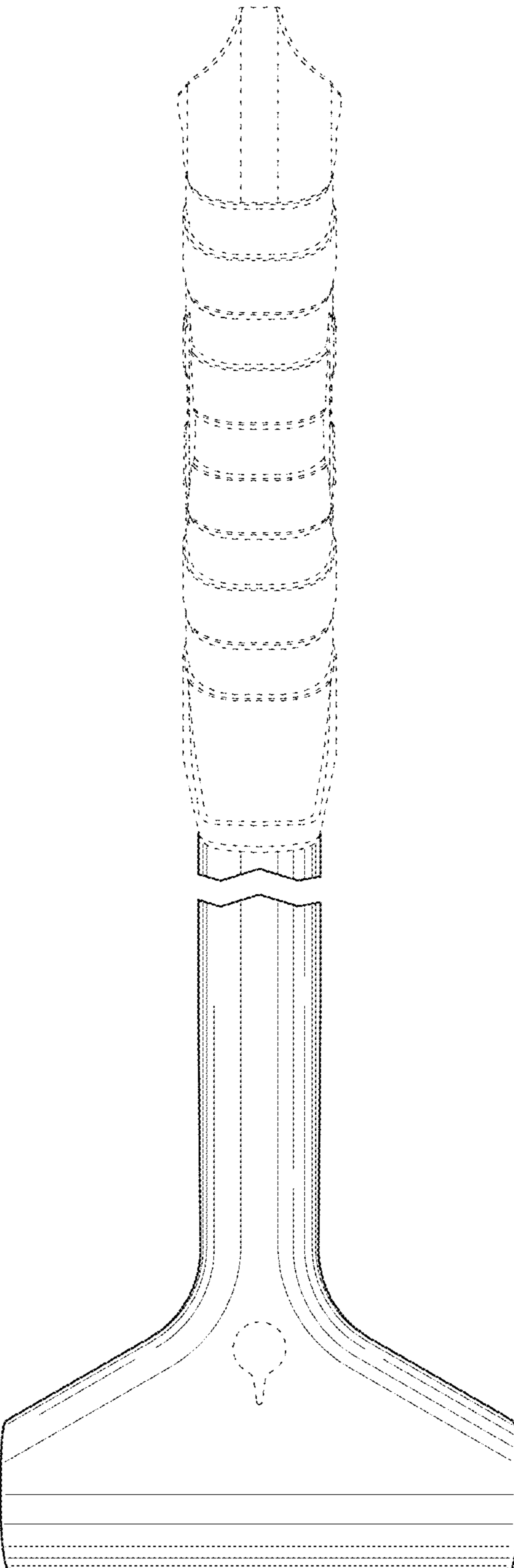


FIG. 5

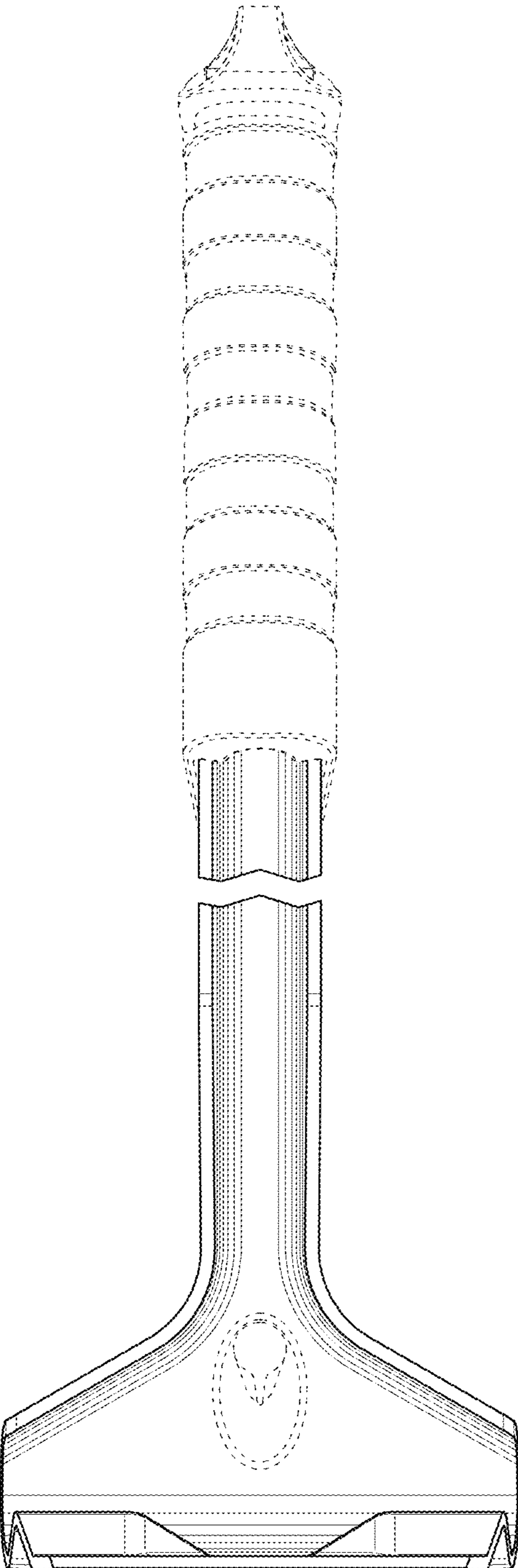


FIG. 6

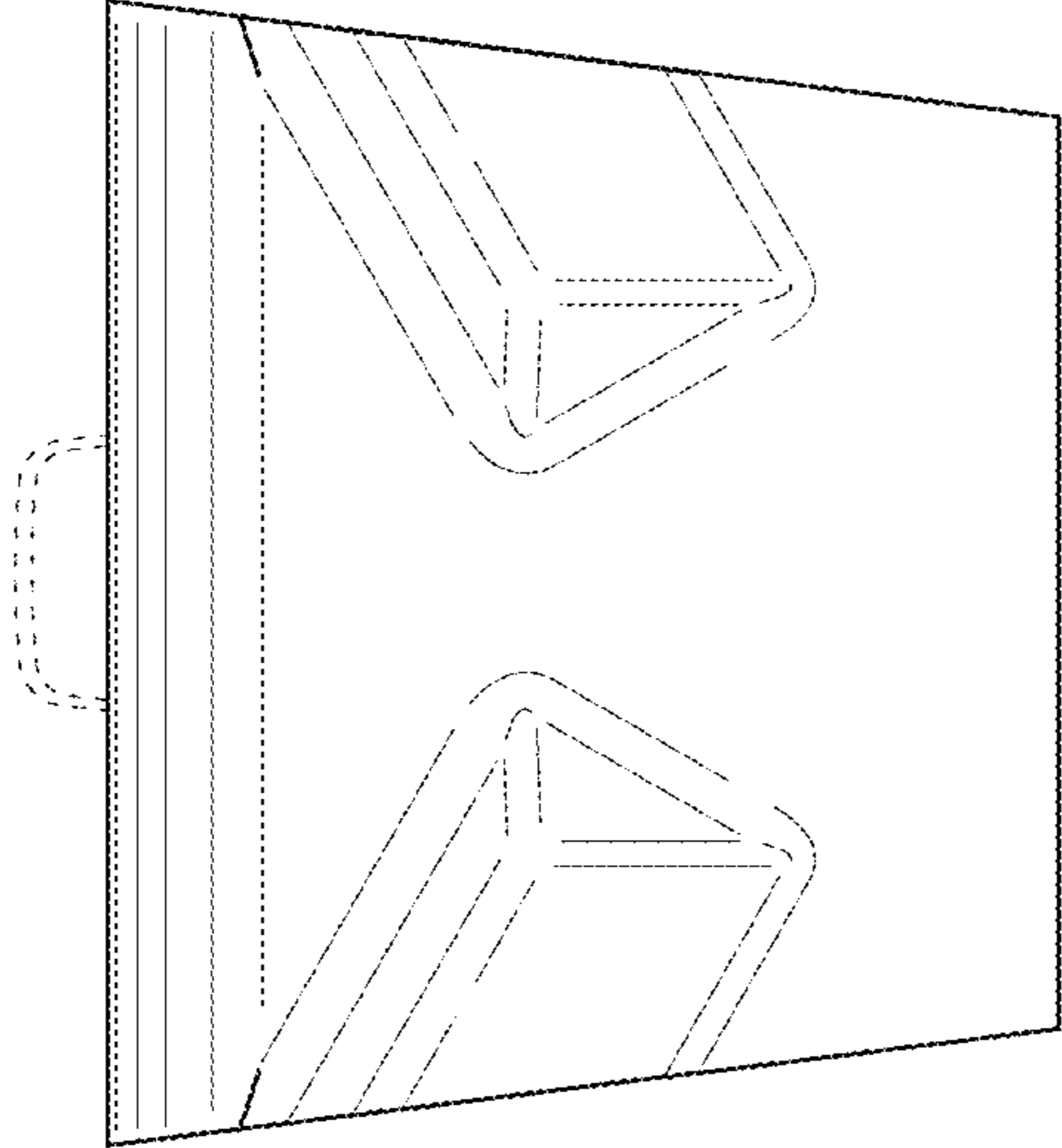


FIG. 7



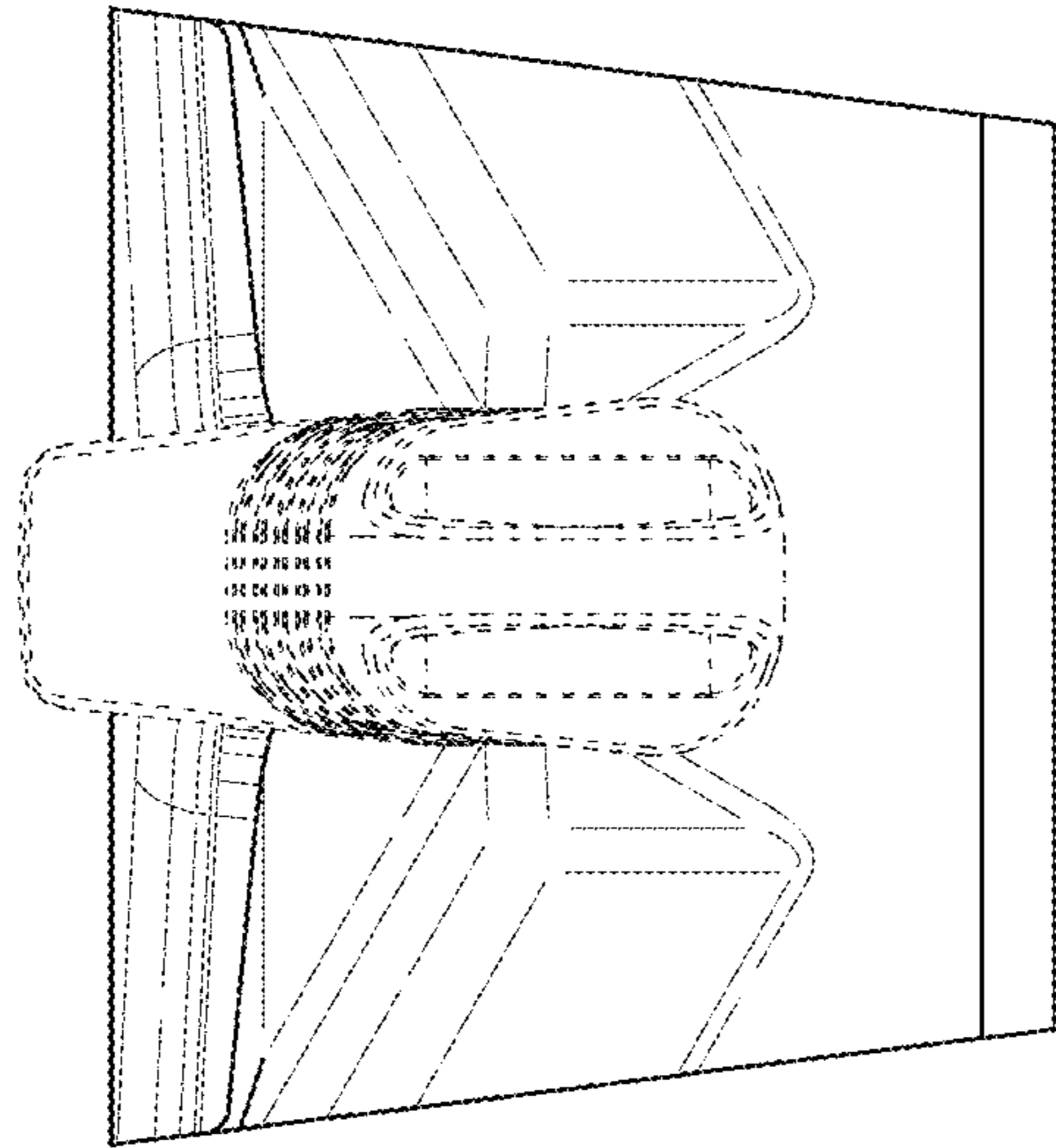


FIG. 8