



US00D831449S

(12) **United States Design Patent**  
**Cigarini**

(10) **Patent No.:** **US D831,449 S**  
(45) **Date of Patent:** **\*\* Oct. 23, 2018**

- (54) **HEAD TRIMMER**
- (71) Applicant: **TECOMEC S.R.L.**, Reggio Emilia (IT)
- (72) Inventor: **Enrico Cigarini**, Reggio Emilia (IT)
- (73) Assignee: **TECOMEC S.R.L.**, Reggio Emilia (IT)
- (\*\*) Term: **15 Years**
- (21) Appl. No.: **29/626,588**
- (22) Filed: **Nov. 17, 2017**
- (30) **Foreign Application Priority Data**

- D479,961 S 9/2003 Iacona
- D482,581 S 11/2003 Nystrom
- D482,941 S 12/2003 Nystrom
- D502,368 S 3/2005 Nystrom et al.
- D532,263 S 11/2006 Iacona
- D560,107 S 1/2008 Grey
- D584,581 S 1/2009 Bradford
- D597,804 S 8/2009 Alliss
- D598,254 S 8/2009 Alliss
- D598,255 S 8/2009 Alliss
- 7,640,668 B2 1/2010 Iacona
- D630,068 S 1/2011 Proulx
- 7,882,642 B2 2/2011 Proulx
- 7,913,401 B2 3/2011 Iacona
- D638,678 S 5/2011 Proulx
- D638,679 S 5/2011 Proulx
- D653,920 S 2/2012 Cigarini

(Continued)

- Jun. 28, 2017 (EM) ..... 004071454
- (51) **LOC (11) Cl.** ..... **08-01**
- (52) **U.S. Cl.**  
USPC ..... **D8/8**
- (58) **Field of Classification Search**  
USPC ..... D8/1, 8; D11/139  
CPC ..... A01D 34/416; A01D 34/4161; A01D  
34/4165; A01D 34/4162; A01D 34/733  
See application file for complete search history.

(56) **References Cited**

**U.S. PATENT DOCUMENTS**

- 4,152,832 A 5/1979 Akaike et al.
- D254,173 S 2/1980 Proulx
- 4,195,408 A 4/1980 Palmieri et al.
- 4,276,691 A 7/1981 Palmieri et al.
- 4,349,962 A 9/1982 Itagaki et al.
- D346,727 S 5/1994 Eriksson
- D347,773 S 6/1994 Nash
- D362,600 S 9/1995 Kiyooka et al.
- D370,489 S 6/1996 Taggett et al.
- D376,741 S 12/1996 Sadlowski
- 5,979,064 A 11/1999 Kitz et al.
- 6,108,914 A 8/2000 Sheldon
- D460,904 S 7/2002 Riley et al.
- D465,975 S 11/2002 Iacona

**FOREIGN PATENT DOCUMENTS**

WO 2013179318 A1 12/2013

*Primary Examiner* — Sheryl Lane

(74) *Attorney, Agent, or Firm* — Pearne & Gordon LLP

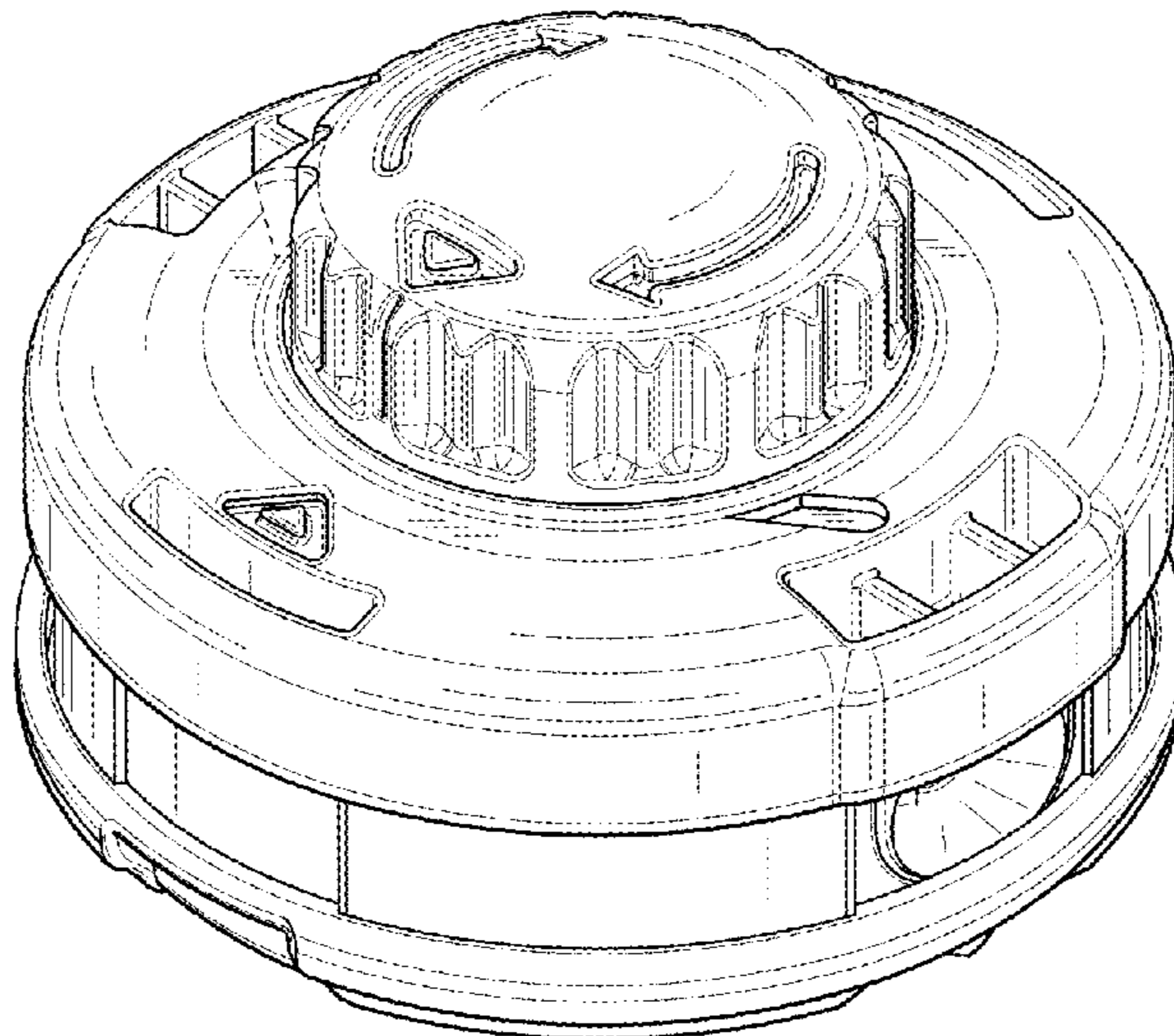
(57) **CLAIM**

The ornamental design for a head trimmer, as shown and described.

**DESCRIPTION**

FIG. 1 is a perspective view of a head trimmer, showing my new design;  
 FIG. 2 is a top view thereof;  
 FIG. 3 is a right side view thereof;  
 FIG. 4 is a back view thereof;  
 FIG. 5 is a front view thereof;  
 FIG. 6 is a left side view thereof; and,  
 FIG. 7 is a bottom view thereof.  
 The broken lines in the drawings represent unclaimed subject matter and form no part of the claimed design.

**1 Claim, 4 Drawing Sheets**



(56)

References Cited

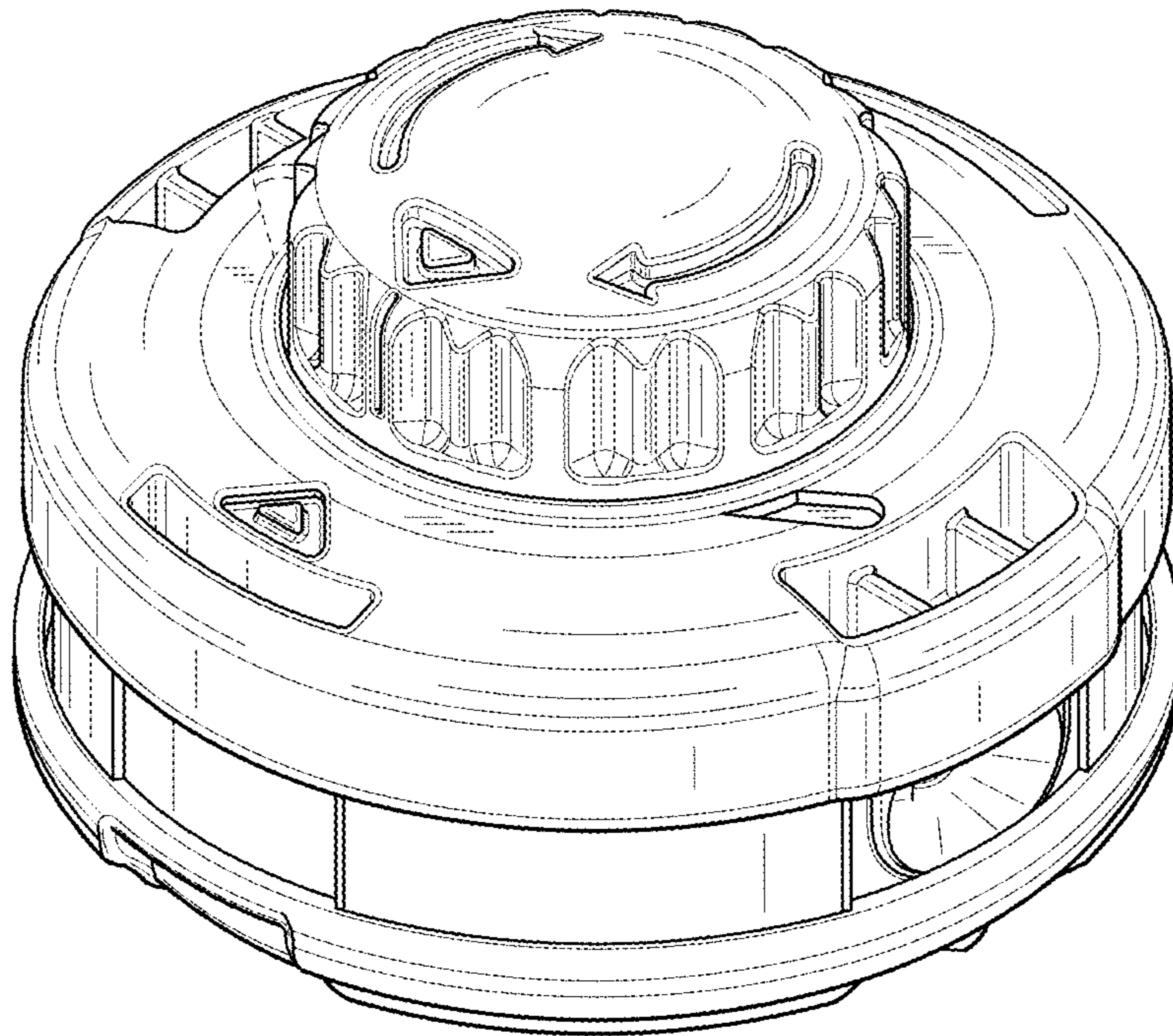
U.S. PATENT DOCUMENTS

D668,517 S 10/2012 Landberg  
 8,510,960 B2 8/2013 Pfaltzgraff et al.  
 8,567,073 B2 10/2013 Proulx  
 8,689,451 B2 4/2014 Cigarini  
 D715,608 S 10/2014 Cigarini  
 8,869,405 B2 10/2014 Codeluppi et al.  
 D720,970 S 1/2015 Hermann  
 8,925,206 B2 1/2015 Cigarini  
 D727,116 S 4/2015 Tinius  
 D727,695 S 4/2015 Tinius  
 D759,445 S 6/2016 Tinius  
 D763,640 S 8/2016 Cigarini et al.  
 D776,995 S 1/2017 Schoch  
 D776,997 S 1/2017 Tinius  
 D796,293 S 9/2017 Alliss  
 9,750,181 B2 9/2017 Cigarini  
 D823,080 S \* 7/2018 Cigarini ..... D8/8  
 2002/0189107 A1 12/2002 Arnetoli  
 2007/0214655 A1 9/2007 Arnetoli  
 2008/0053052 A1 3/2008 Cigarini  
 2009/0172955 A1 7/2009 Morris et al.  
 2010/0154229 A1 6/2010 Iacona  
 2010/0180451 A1 7/2010 Reynolds et al.  
 2011/0000091 A1 1/2011 Proulx

2011/0119932 A1 5/2011 Pfaltzgraff et al.  
 2011/0214295 A1 9/2011 Proulx  
 2011/0225832 A1 9/2011 Alliss  
 2011/0289785 A1 12/2011 Jerez  
 2011/0302791 A1 12/2011 Proulx et al.  
 2011/0302793 A1 12/2011 Alliss  
 2012/0131804 A1 5/2012 Cigarini  
 2012/0260508 A1 10/2012 Duvall  
 2014/0033546 A1 2/2014 Arnetoli  
 2014/0215835 A1 8/2014 Racov et al.  
 2014/0250699 A1 9/2014 Weimer et al.  
 2014/0259692 A1 9/2014 Racov et al.  
 2015/0010199 A1 1/2015 Kim et al.  
 2015/0101199 A1 4/2015 Cigarini  
 2015/0223395 A1 8/2015 Pellenc et al.  
 2015/0289446 A1 10/2015 Duvall  
 2015/0327436 A1 11/2015 Skinner et al.  
 2015/0366131 A1 12/2015 Skinner  
 2016/0106032 A1 4/2016 Cigarini et al.  
 2016/0106033 A1 4/2016 Longo et al.  
 2016/0106034 A1 4/2016 Arnetoli  
 2016/0106035 A1 4/2016 Longo et al.  
 2016/0143219 A1 5/2016 Yuan et al.  
 2016/0235001 A1 8/2016 Cigarini et al.  
 2016/0330903 A1 11/2016 Miller et al.  
 2017/0094900 A1 4/2017 Arnetoli  
 2017/0208739 A1 7/2017 Arnetoli

\* cited by examiner

FIG. 1



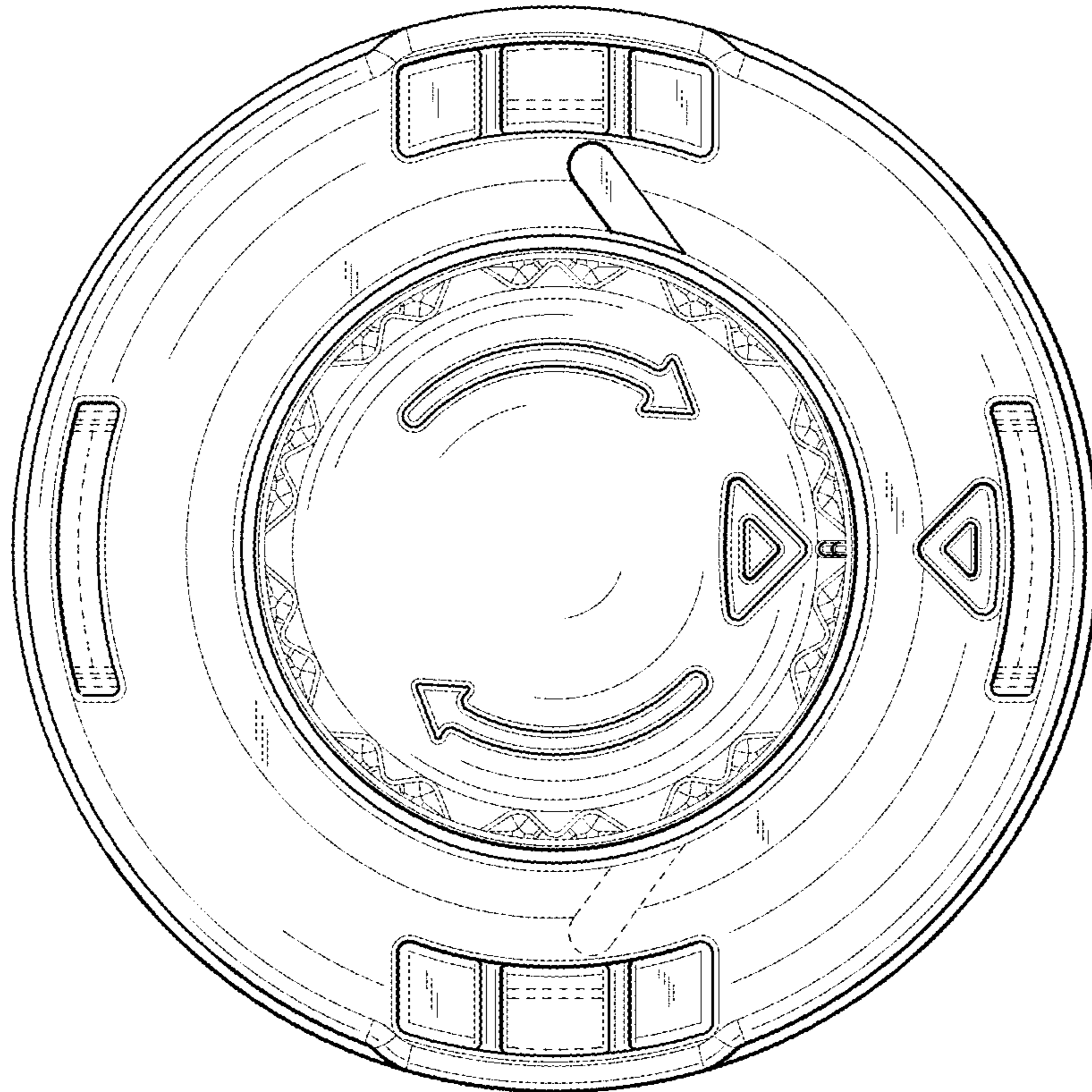


FIG. 2

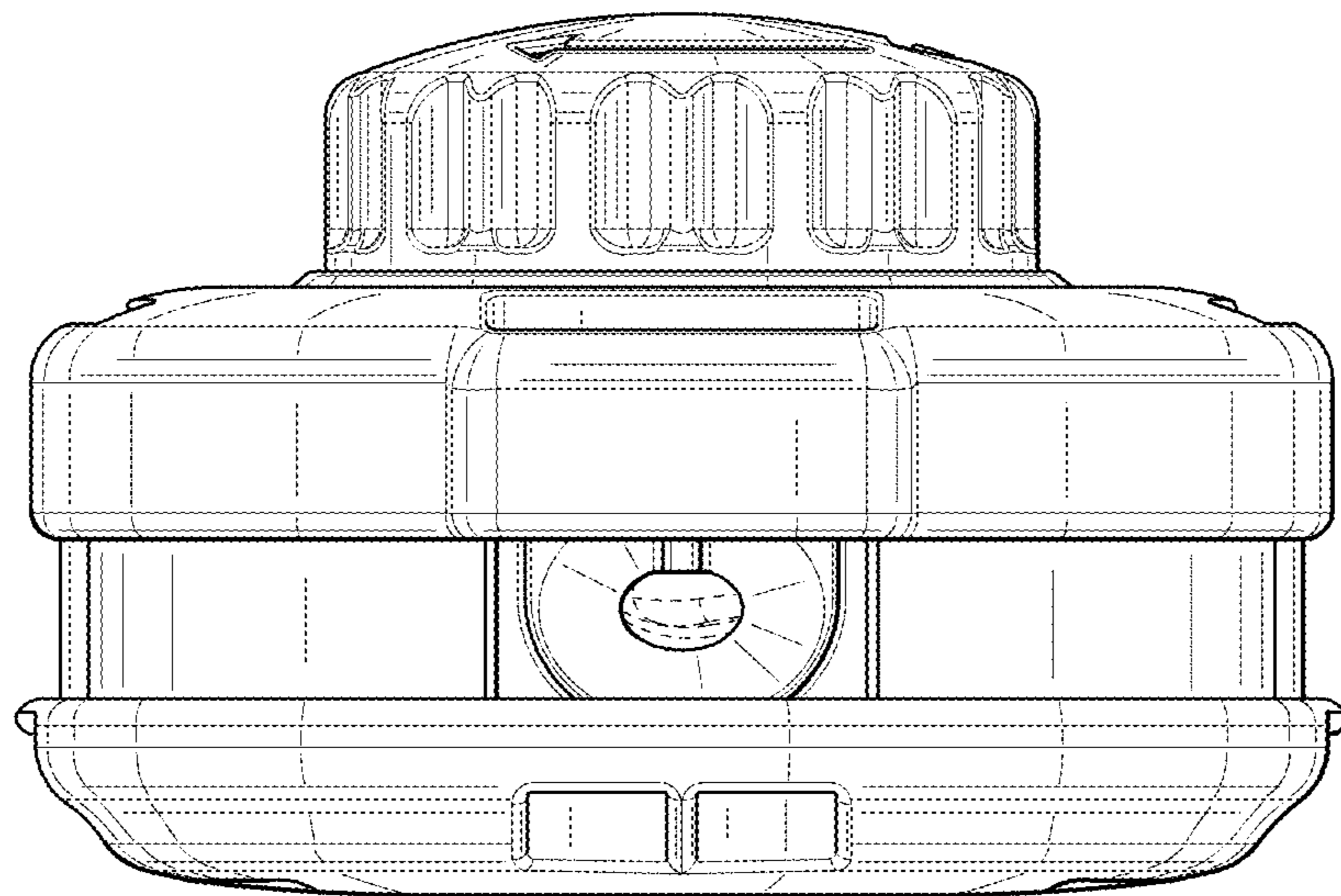


FIG. 3

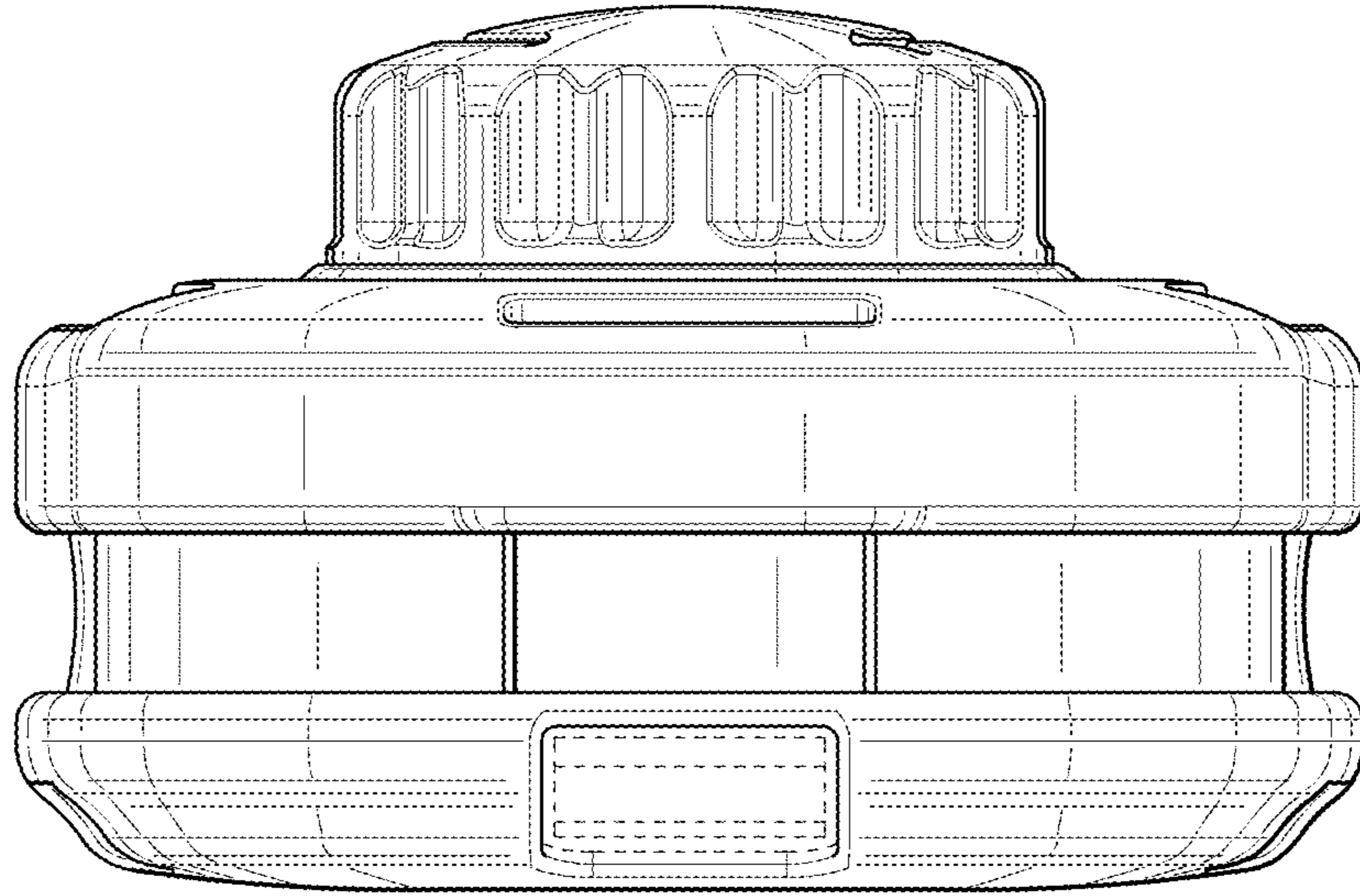


FIG. 4

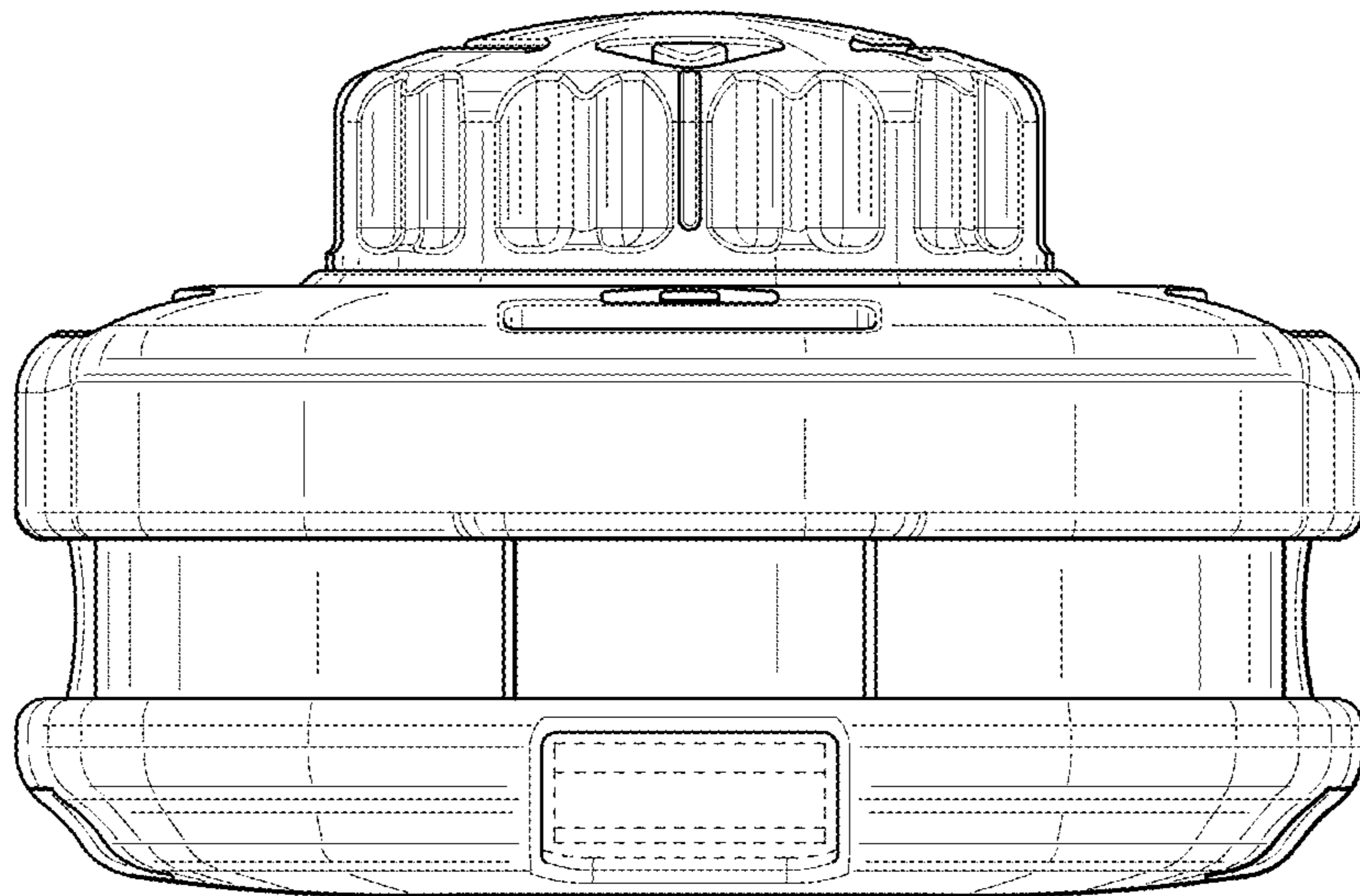


FIG. 5

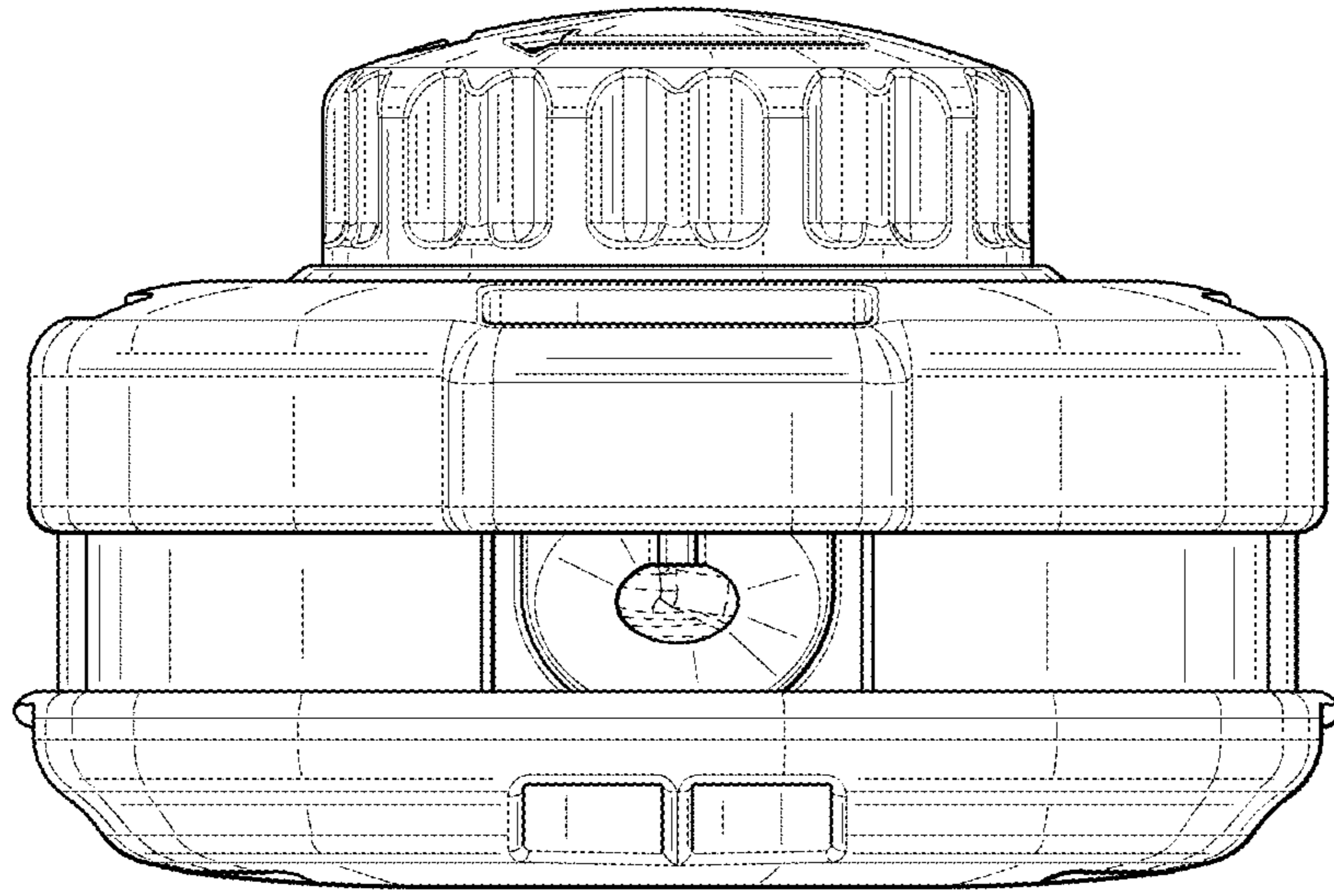


FIG. 6

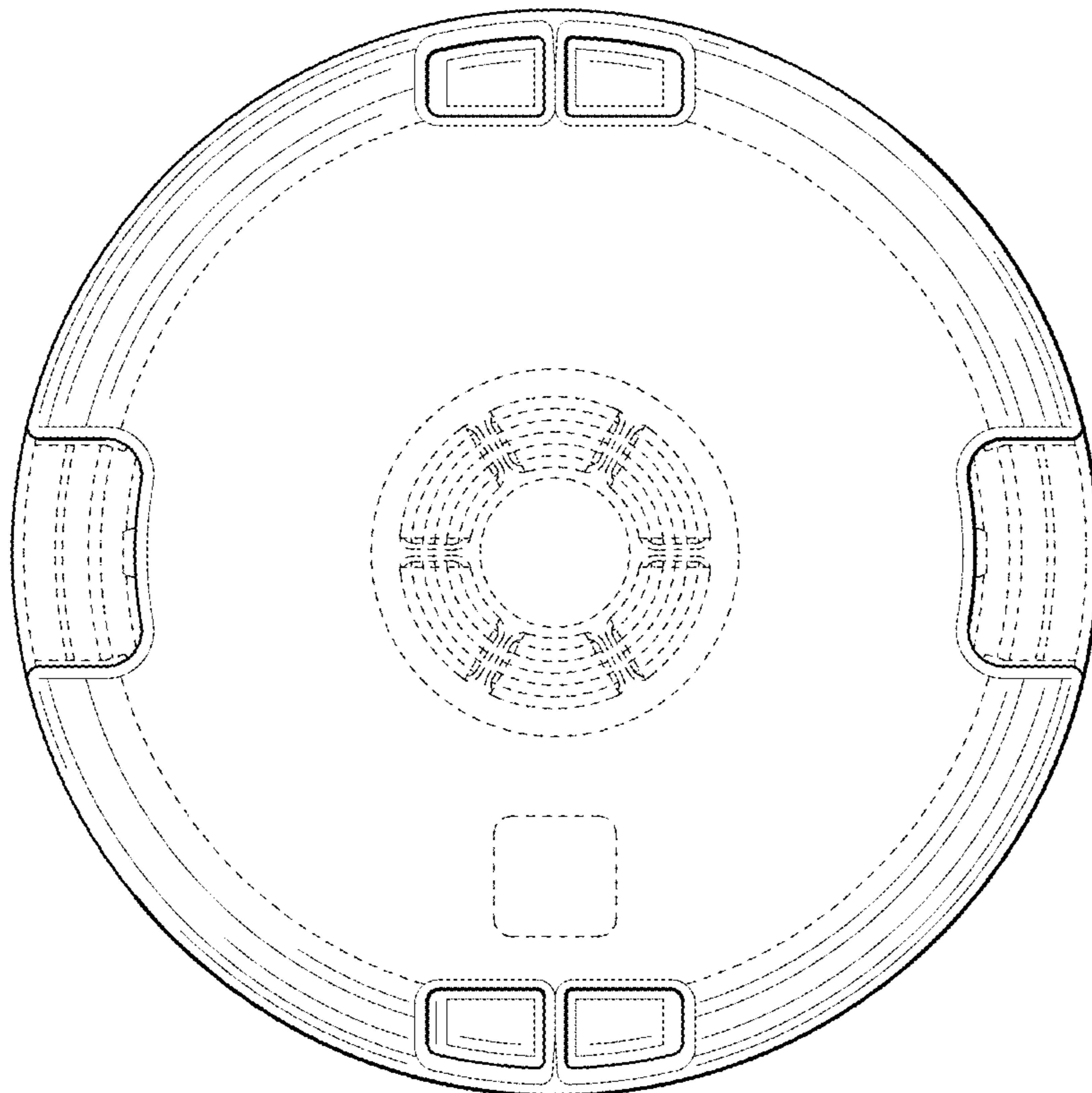


FIG. 7