



US00D831448S

(12) **United States Design Patent** (10) **Patent No.:** **US D831,448 S**
Cigarini (45) **Date of Patent:** **** Oct. 23, 2018**

(54) **HEAD TRIMMER**
(71) Applicant: **TECOMEC S.R.L.**, Reggio Emilia (IT)
(72) Inventor: **Enrico Cigarini**, Reggio Emilia (IT)
(73) Assignee: **TECOMEC S.R.L.**, Reggio Emilia (IT)
(**) Term: **15 Years**
(21) Appl. No.: **29/626,517**
(22) Filed: **Nov. 17, 2017**
(30) **Foreign Application Priority Data**

Jun. 28, 2017 (EM) 004071454

(51) **LOC (11) Cl.** **08-01**

(52) **U.S. Cl.**
USPC **D8/1**

(58) **Field of Classification Search**
USPC D8/1, 8; D15/139
CPC A01D 34/416; A01D 34/4161; A01D
34/4165; A01D 34/4162; A01D 34/733
See application file for complete search history.

D598,255 S 8/2009 Alliss
7,640,668 B2 1/2010 Iacona
D630,068 S 1/2011 Proulx
7,882,642 B2 2/2011 Proulx
7,913,401 B2 3/2011 Iacona
D638,678 S 5/2011 Proulx
D638,679 S 5/2011 Proulx
D653,920 S 2/2012 Cigarini
D668,517 S 10/2012 Landberg
8,510,960 B2 8/2013 Pfaltzgraff et al.
8,567,073 B2 10/2013 Proulx
8,689,451 B2 4/2014 Cigarini
D715,608 S 10/2014 Cigarini
8,869,405 B2 10/2014 Codeluppi et al.
D720,970 S 1/2015 Hermann
8,925,206 B2 1/2015 Cigarini
D727,116 S 4/2015 Tinius
D727,695 S 4/2015 Tinius
D759,445 S 6/2016 Tinius
D763,640 S 8/2016 Cigarini et al.
D776,995 S 1/2017 Schoch
D776,997 S 1/2017 Tinius
D796,293 S 9/2017 Alliss
9,750,181 B2 9/2017 Cigarini

(Continued)

(56) **References Cited**

U.S. PATENT DOCUMENTS

4,152,832 A 5/1979 Akaike et al.
D254,173 S 2/1980 Proulx
4,195,408 A 4/1980 Palmieri et al.
4,276,691 A 7/1981 Palmieri et al.
4,349,962 A 9/1982 Itagaki et al.
D346,727 S 5/1994 Eriksson
D347,773 S 6/1994 Nash
D362,600 S 9/1995 Kiyooka et al.
D370,489 S 6/1996 Taggett et al.
D376,741 S 12/1996 Sadlowski
5,979,064 A 11/1999 Kitz et al.
6,108,914 A 8/2000 Sheldon
D460,904 S 7/2002 Riley et al.
D465,975 S 11/2002 Iacona
D479,961 S 9/2003 Iacona
D482,581 S 11/2003 Nystrom
D482,941 S 12/2003 Nystrom
D502,368 S 3/2005 Nystrom et al.
D532,263 S 11/2006 Iacona
D560,107 S 1/2008 Grey
D584,581 S 1/2009 Bradford
D597,804 S 8/2009 Alliss
D598,254 S 8/2009 Alliss

FOREIGN PATENT DOCUMENTS

WO 2013179318 A1 12/2013

Primary Examiner — Sheryl Lane
(74) *Attorney, Agent, or Firm* — Pearne & Gordon LLP

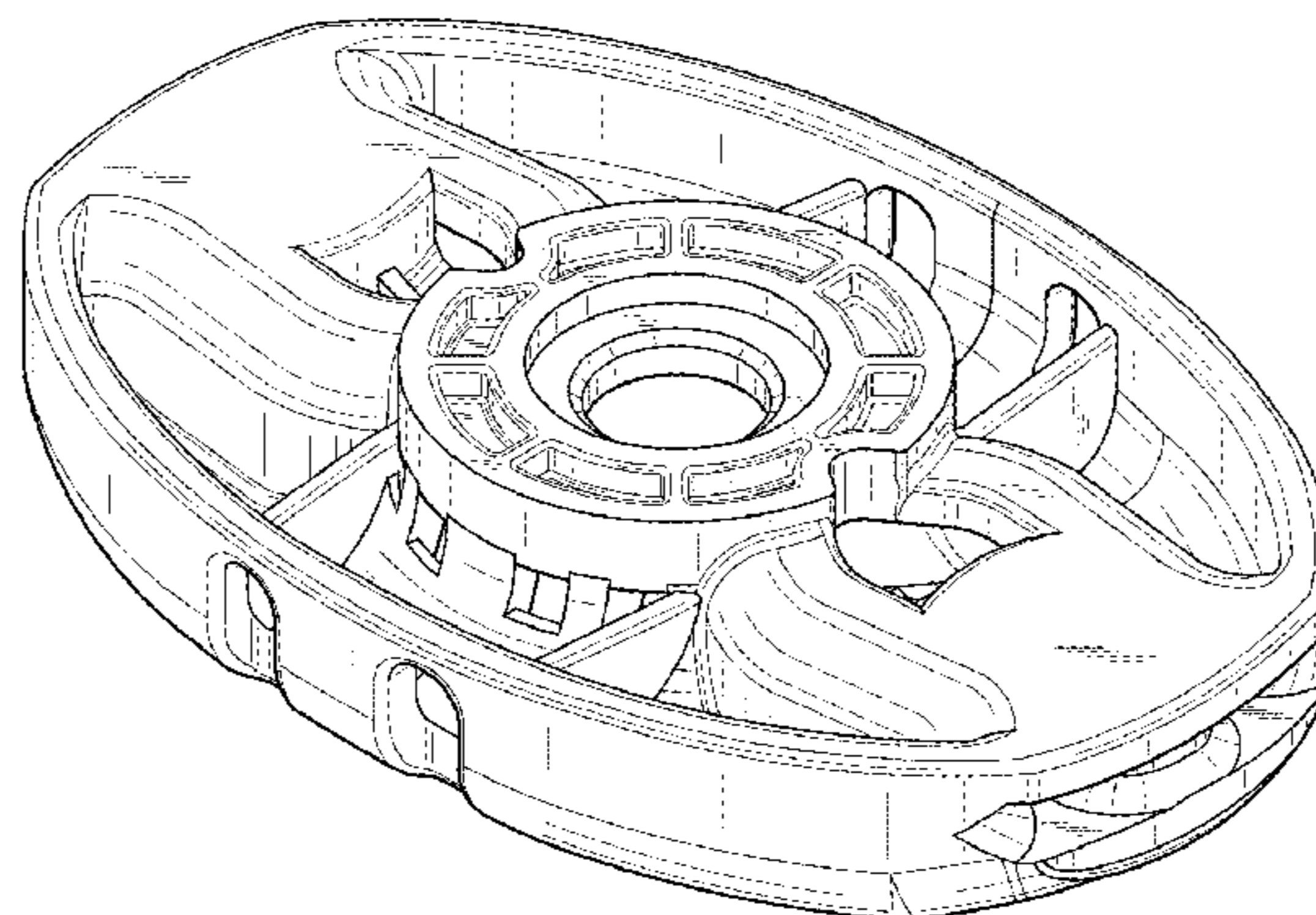
(57) **CLAIM**

The ornamental design for a head trimmer, as shown and described.

DESCRIPTION

FIG. 1 is a perspective view of a head trimmer, showing my new design;
FIG. 2 is a top view thereof;
FIG. 3 is a front view thereof, the back view being identical thereto;
FIG. 4 is a left side view thereof, the right side view being identical thereto; and,
FIG. 5 is a bottom view thereof.
The broken lines in the drawings represent unclaimed subject matter and form no part of the claimed design.

1 Claim, 3 Drawing Sheets



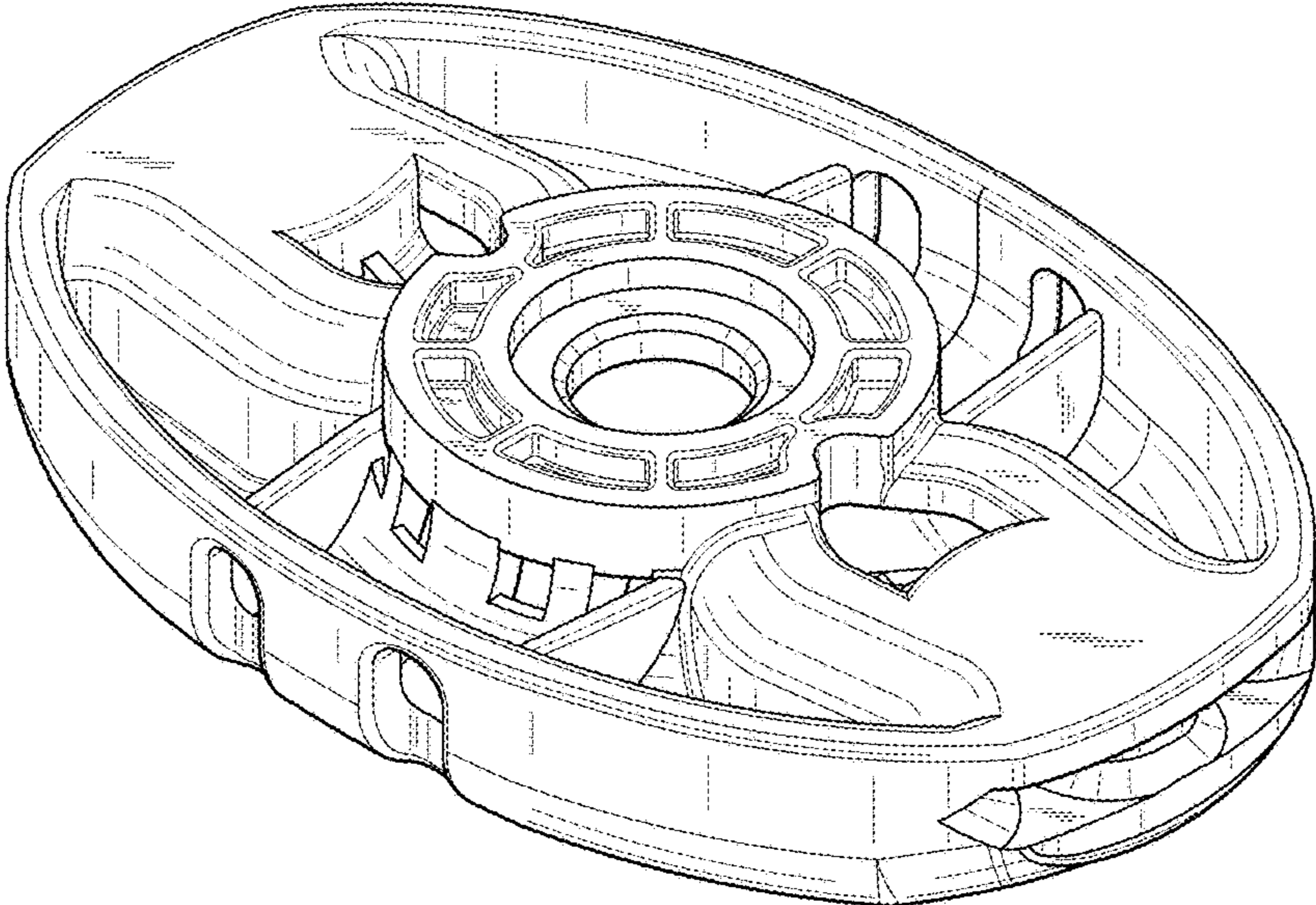
(56)

References Cited

U.S. PATENT DOCUMENTS

2002/0189107	A1	12/2002	Arnetoli
2007/0214655	A1	9/2007	Arnetoli
2008/0053052	A1	3/2008	Cigarini
2009/0172955	A1	7/2009	Morris et al.
2010/0154229	A1	6/2010	Iacona
2010/0180451	A1	7/2010	Reynolds et al.
2011/0000091	A1	1/2011	Proulx
2011/0119932	A1	5/2011	Pfaltzgraff et al.
2011/0214295	A1	9/2011	Proulx
2011/0225832	A1	9/2011	Alliss
2011/0289785	A1	12/2011	Jerez
2011/0302791	A1	12/2011	Proulx et al.
2011/0302793	A1	12/2011	Alliss
2012/0131804	A1	5/2012	Cigarini
2012/0260508	A1	10/2012	Duvall
2014/0033546	A1	2/2014	Arnetoli
2014/0215835	A1	8/2014	Racov et al.
2014/0250699	A1	9/2014	Weimer et al.
2014/0259692	A1	9/2014	Racov et al.
2015/0010199	A1	1/2015	Kim et al.
2015/0101199	A1	4/2015	Cigarini
2015/0223395	A1	8/2015	Pellenc et al.
2015/0289446	A1	10/2015	Duvall
2015/0327436	A1	11/2015	Skinner et al.
2015/0366131	A1	12/2015	Skinner
2016/0106032	A1	4/2016	Cigarini et al.
2016/0106033	A1	4/2016	Longo et al.
2016/0106034	A1	4/2016	Arnetoli
2016/0106035	A1	4/2016	Longo et al.
2016/0143219	A1	5/2016	Yuan et al.
2016/0235001	A1	8/2016	Cigarini et al.
2016/0330903	A1	11/2016	Miller et al.
2017/0094900	A1	4/2017	Arnetoli
2017/0208739	A1	7/2017	Arnetoli

FIG. 1



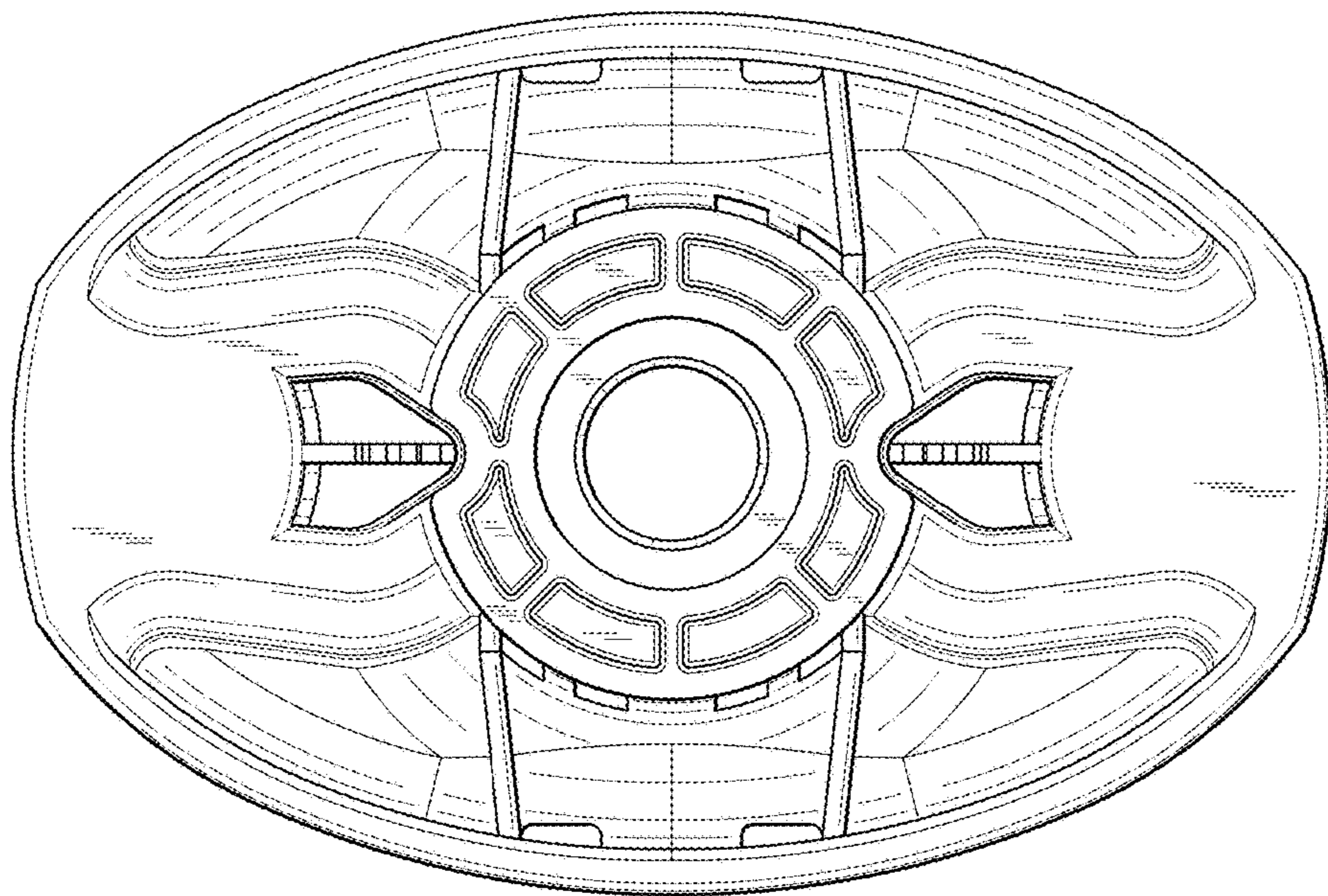


FIG. 2

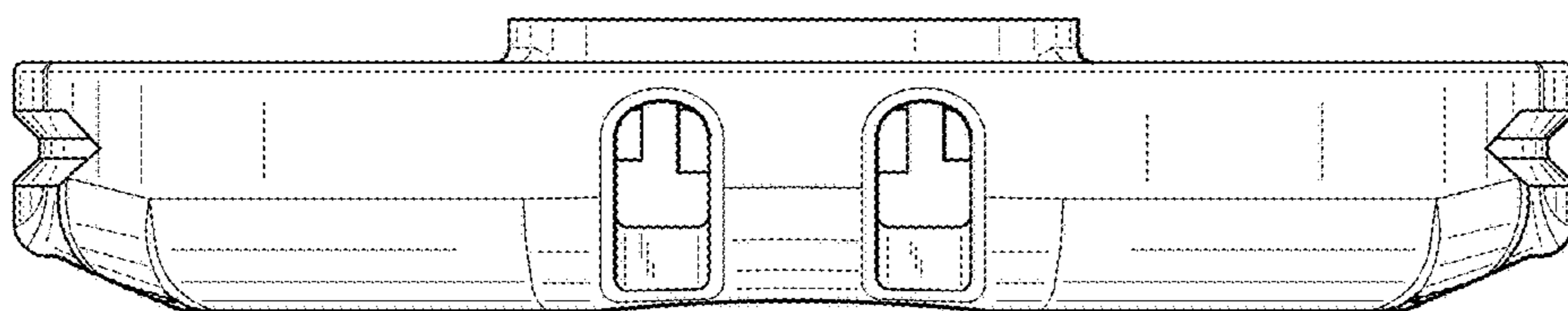


FIG. 3

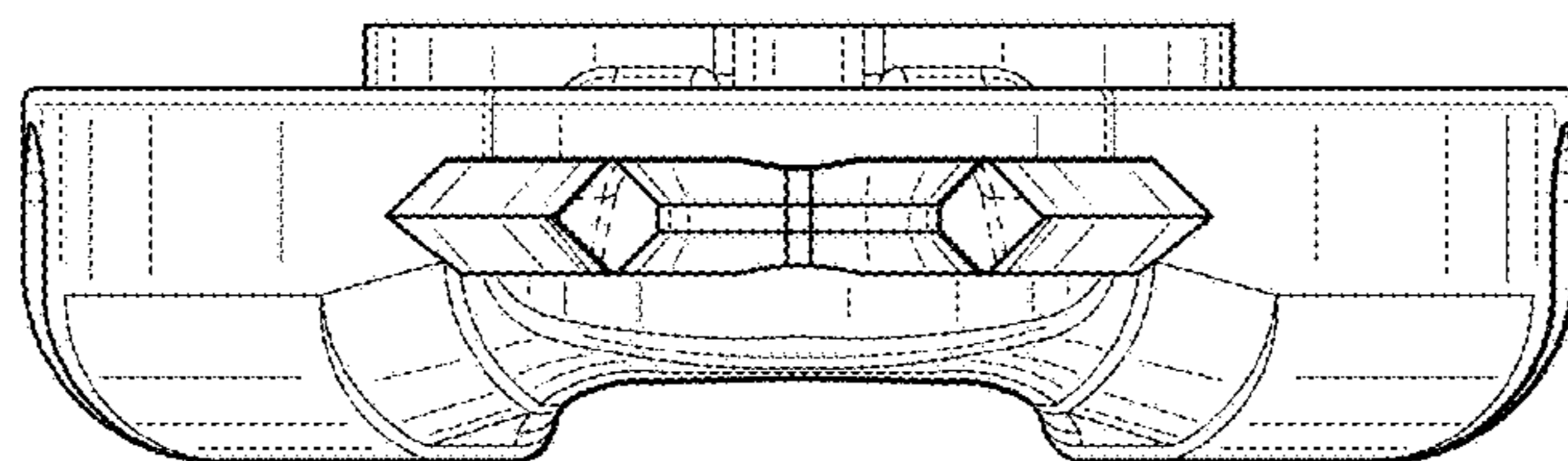


FIG. 4

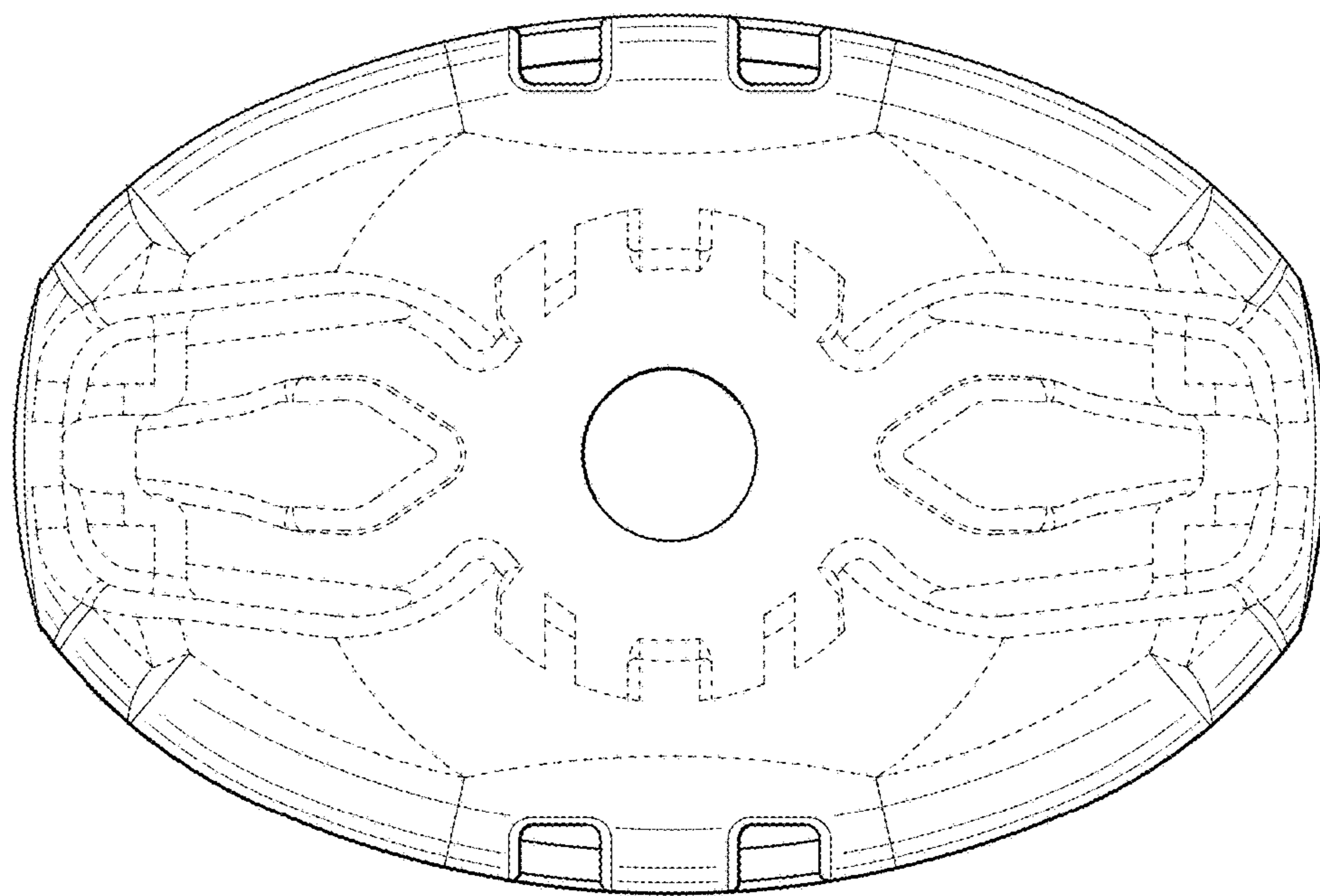


FIG. 5