



US00D831447S

(12) **United States Design Patent**
Cigarini

(10) **Patent No.:** **US D831,447 S**

(45) **Date of Patent:** **** Oct. 23, 2018**

(54) **HEAD TRIMMER**

(71) Applicant: **TECOMEC S.R.L.**, Reggio Emilia
(RE) (IT)

(72) Inventor: **Enrico Cigarini**, Reggio Emilia (IT)

(73) Assignee: **TECOMEC S.R.L.**, Reggio Emilia (IT)

(**) Term: **15 Years**

(21) Appl. No.: **29/626,510**

(22) Filed: **Nov. 17, 2017**

(30) **Foreign Application Priority Data**

Jun. 28, 2017 (EM) 004071454

(51) **LOC (11) Cl.** **08-01**

(52) **U.S. Cl.**
USPC **D8/1**

(58) **Field of Classification Search**
USPC D8/1, 8; D15/139
CPC A01D 34/416; A01D 34/4161; A01D
34/4165; A01D 34/4162; A01D 34/733
See application file for complete search history.

(56) **References Cited**

U.S. PATENT DOCUMENTS

4,152,832 A	5/1979	Akaike et al.
D254,173 S	2/1980	Proulx
4,195,408 A	4/1980	Palmieri et al.
4,276,691 A	7/1981	Palmieri et al.
4,349,962 A	9/1982	Itagaki et al.
D346,727 S	5/1994	Eriksson
D347,773 S	6/1994	Nash
D362,600 S	9/1995	Kiyooka et al.
D370,489 S	6/1996	Taggett et al.
D376,741 S	12/1996	Sadlowski
5,979,064 A	11/1999	Kitz et al.
6,108,914 A	8/2000	Sheldon
D460,904 S	7/2002	Riley et al.

D465,975 S	11/2002	Iacona
D479,961 S	9/2003	Iacona
D482,581 S	11/2003	Nystrom
D482,941 S	12/2003	Nystrom
D502,368 S	3/2005	Nystrom et al.
D532,263 S *	11/2006	Iacona D8/8
D560,107 S	1/2008	Grey
D584,581 S	1/2009	Bradford
D597,804 S	8/2009	Alliss
D598,254 S	8/2009	Alliss
D598,255 S	8/2009	Alliss
7,640,668 B2	1/2010	Iacona
D630,068 S	1/2011	Proulx
7,882,642 B2	2/2011	Proulx
7,913,401 B2	3/2011	Iacona
D638,678 S	5/2011	Proulx
D638,679 S	5/2011	Proulx

(Continued)

FOREIGN PATENT DOCUMENTS

WO 2013179318 A1 12/2013

Primary Examiner — Sheryl Lane

(74) *Attorney, Agent, or Firm* — Pearne & Gordon LLP

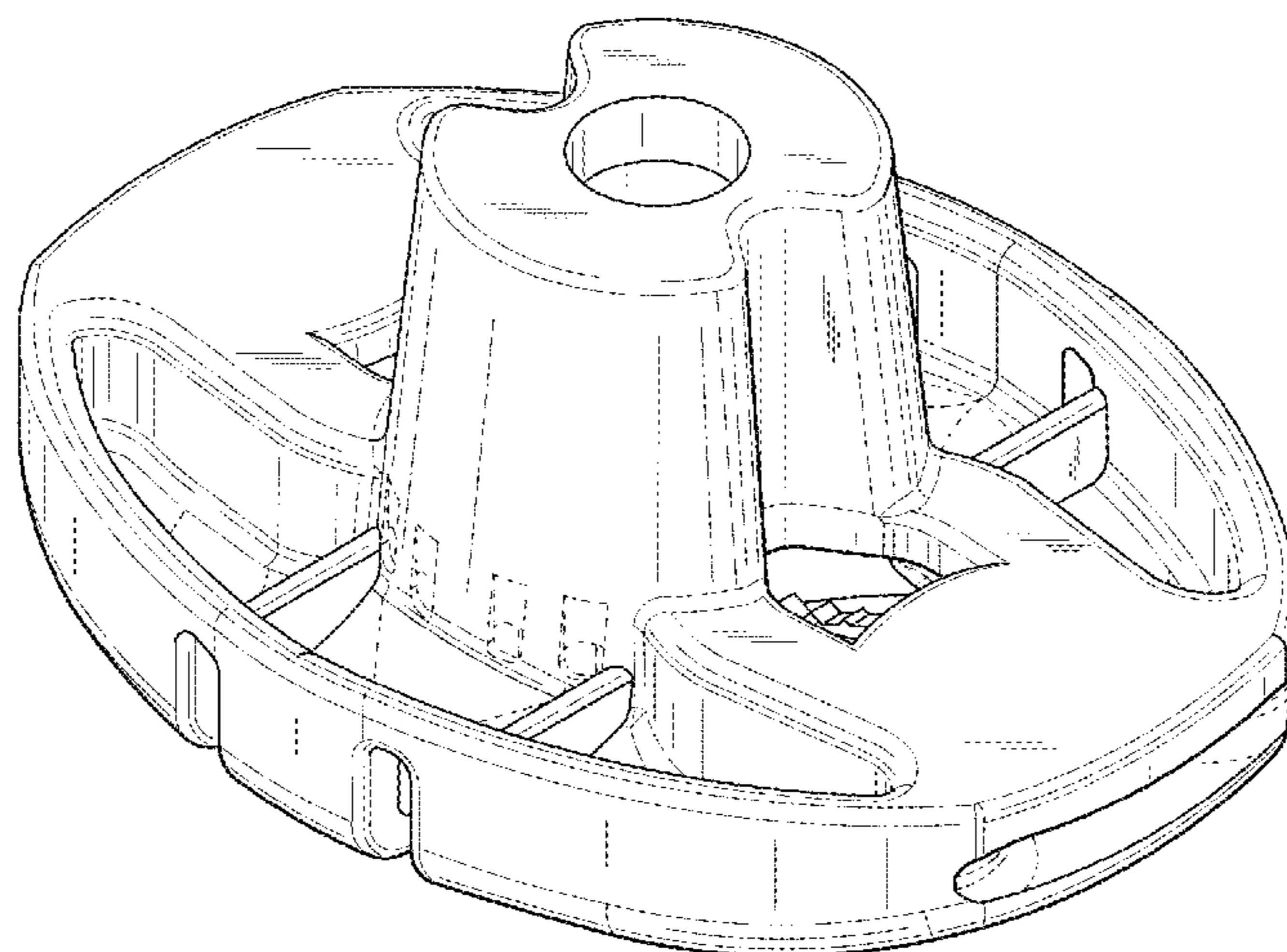
(57) **CLAIM**

The ornamental design for a head trimmer, as shown and described.

DESCRIPTION

FIG. 1 is a perspective view of a head trimmer, showing my new design;
FIG. 2 is a top view thereof;
FIG. 3 is a front view thereof, the back view being identical thereto;
FIG. 4 is a left side view thereof, the right side view being identical thereto; and,
FIG. 5 is a bottom view thereof.
The broken lines in the drawings represent unclaimed subject matter and form no part of the claimed design.

1 Claim, 3 Drawing Sheets



(56)

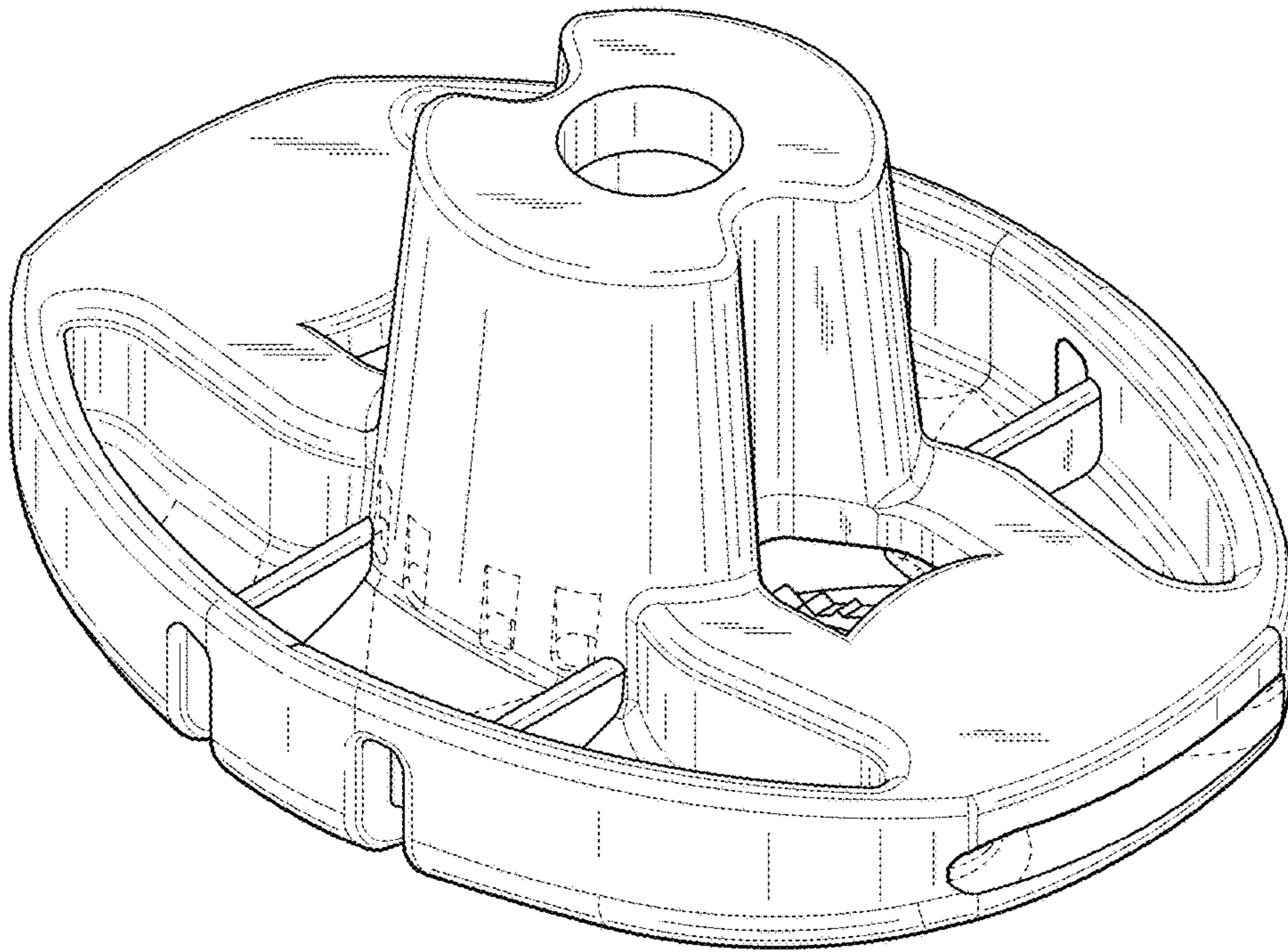
References Cited

U.S. PATENT DOCUMENTS

D653,920 S	2/2012	Cigarini	2011/0119932 A1	5/2011	Pfaltzgraff et al.
D668,517 S	10/2012	Landberg	2011/0214295 A1	9/2011	Proulx
8,510,960 B2	8/2013	Pfaltzgraff et al.	2011/0225832 A1	9/2011	Alliss
8,567,073 B2	10/2013	Proulx	2011/0289785 A1	12/2011	Jerez
8,689,451 B2	4/2014	Cigarini	2011/0302791 A1	12/2011	Proulx et al.
D715,608 S	10/2014	Cigarini	2011/0302793 A1	12/2011	Alliss
8,869,405 B2	10/2014	Codeluppi et al.	2012/0131804 A1	5/2012	Cigarini
D720,970 S	1/2015	Hermann	2012/0260508 A1	10/2012	Duvall
8,925,206 B2	1/2015	Cigarini	2014/0033546 A1	2/2014	Ametoli
D727,116 S	4/2015	Tinius	2014/0215835 A1	8/2014	Racov et al.
D727,695 S	4/2015	Tinius	2014/0250699 A1	9/2014	Weimer et al.
D759,445 S	6/2016	Tinius	2014/0259692 A1	9/2014	Racov et al.
D763,640 S	8/2016	Cigarini et al.	2015/0010199 A1	1/2015	Kim et al.
D776,995 S	1/2017	Schoch	2015/0101199 A1	4/2015	Cigarini
D776,997 S	1/2017	Tinius	2015/0223395 A1	8/2015	Pellenc et al.
D796,293 S	9/2017	Alliss	2015/0289446 A1	10/2015	Duvall
9,750,181 B2	9/2017	Cigarini	2015/0327436 A1	11/2015	Skinner et al.
2002/0189107 A1	12/2002	Arnetoli	2015/0366131 A1	12/2015	Skinner
2007/0214655 A1	9/2007	Arnetoli	2016/0106032 A1	4/2016	Cigarini et al.
2008/0053052 A1	3/2008	Cigarini	2016/0106033 A1	4/2016	Longo et al.
2009/0172955 A1	7/2009	Morris et al.	2016/0106034 A1	4/2016	Ametoli
2010/0154229 A1	6/2010	Iacona	2016/0106035 A1	4/2016	Longo et al.
2010/0180451 A1	7/2010	Reynolds et al.	2016/0143219 A1	5/2016	Yuan et al.
2011/0000091 A1	1/2011	Proulx	2016/0235001 A1	8/2016	Cigarini et al.
			2016/0330903 A1	11/2016	Miller et al.
			2017/0094900 A1	4/2017	Ametoli
			2017/0208739 A1	7/2017	Ametoli

* cited by examiner

FIG. 1



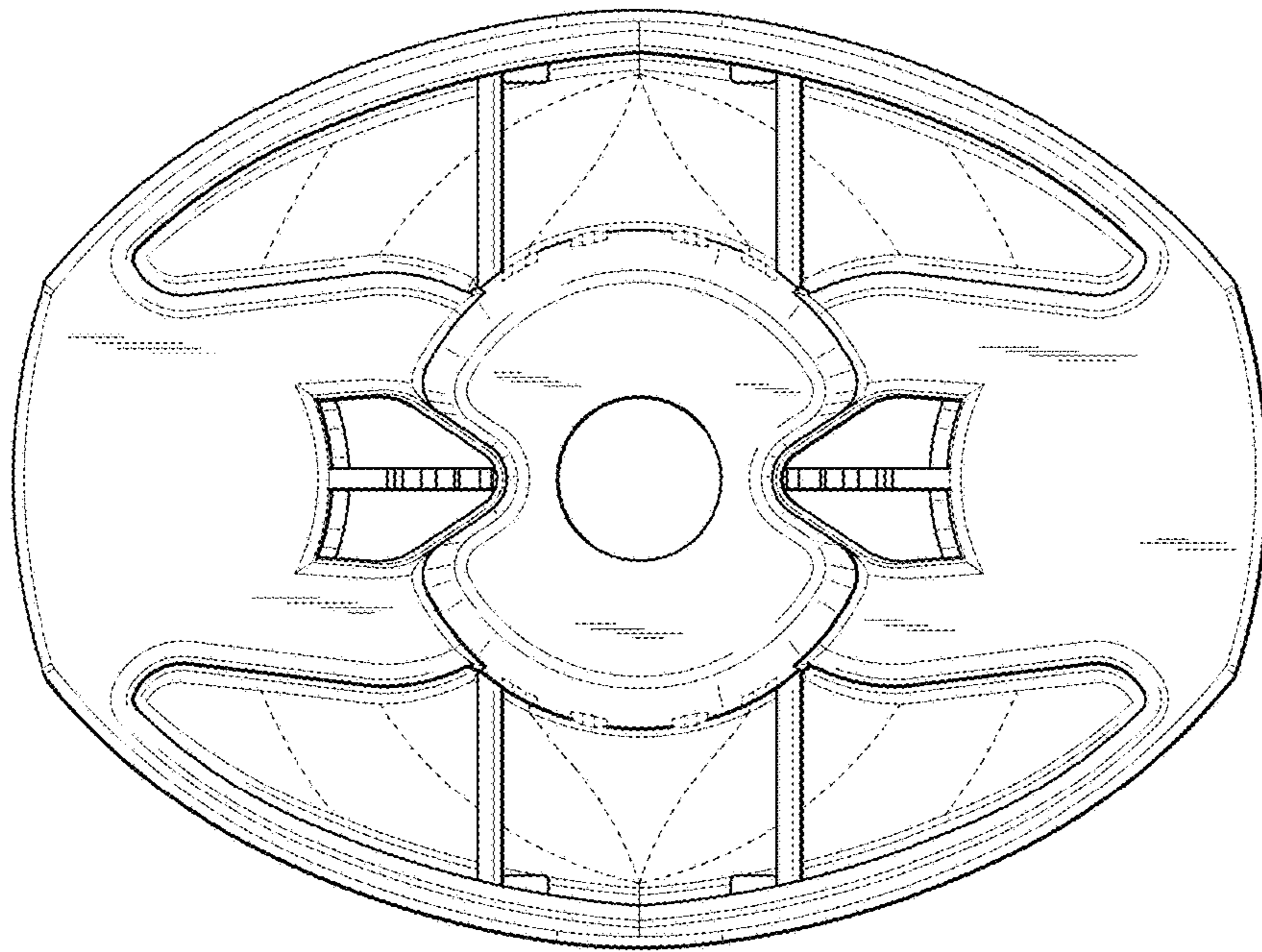


FIG. 2

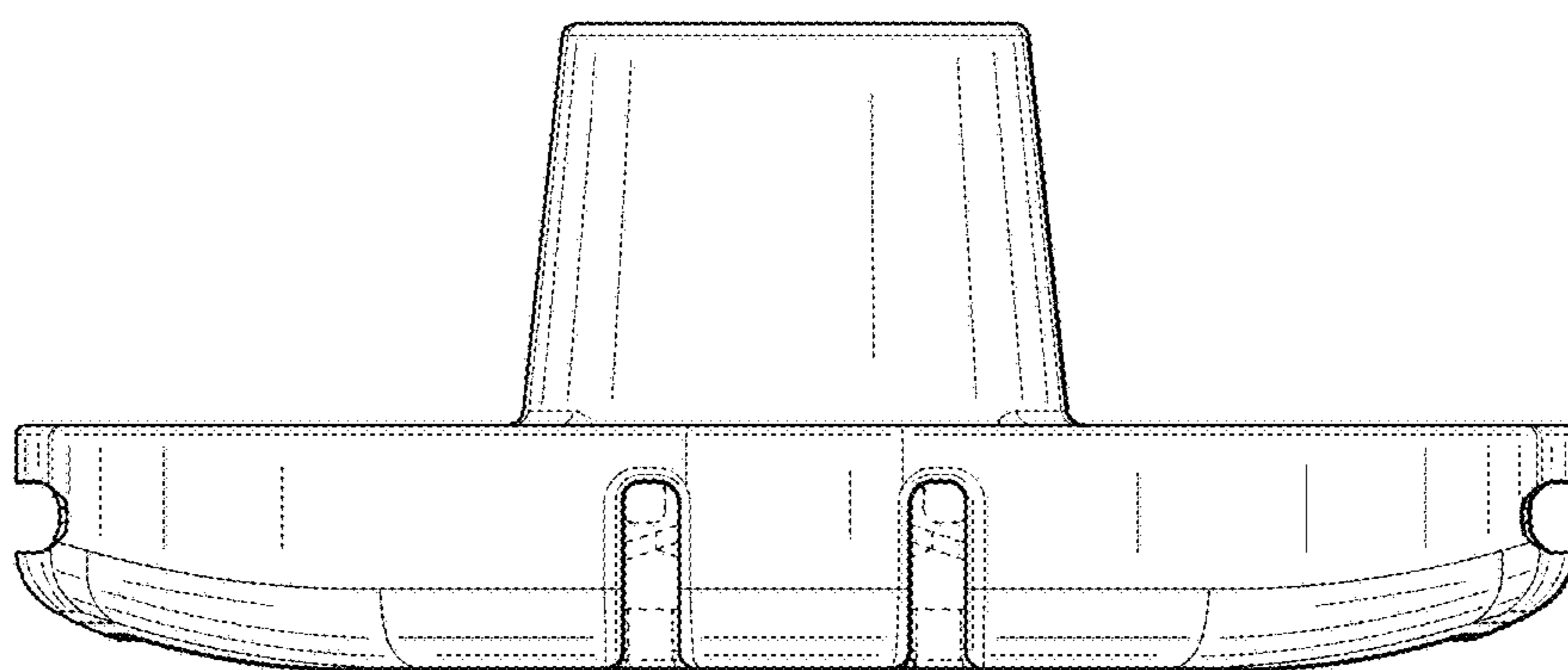


FIG. 3

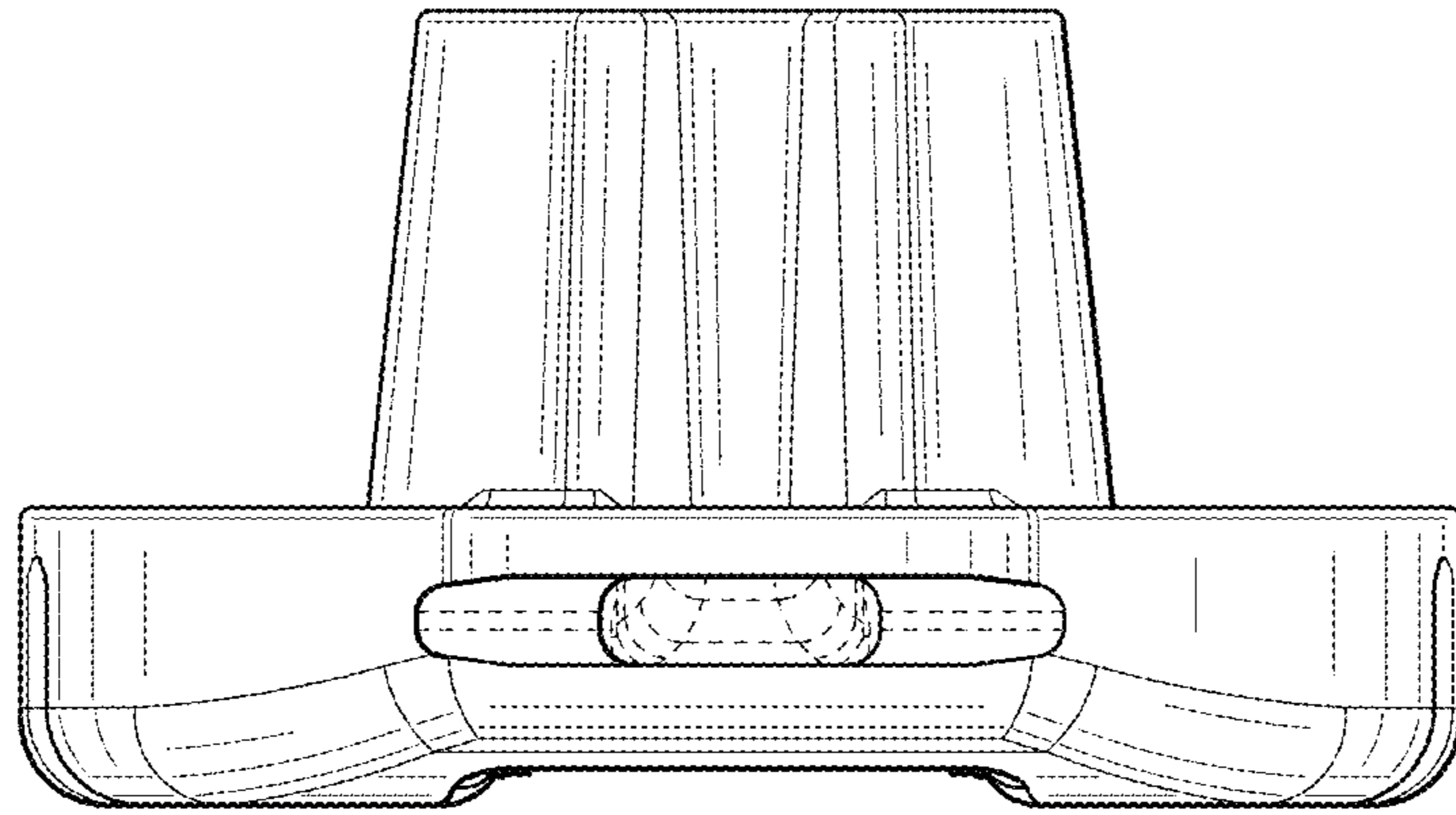


FIG. 4

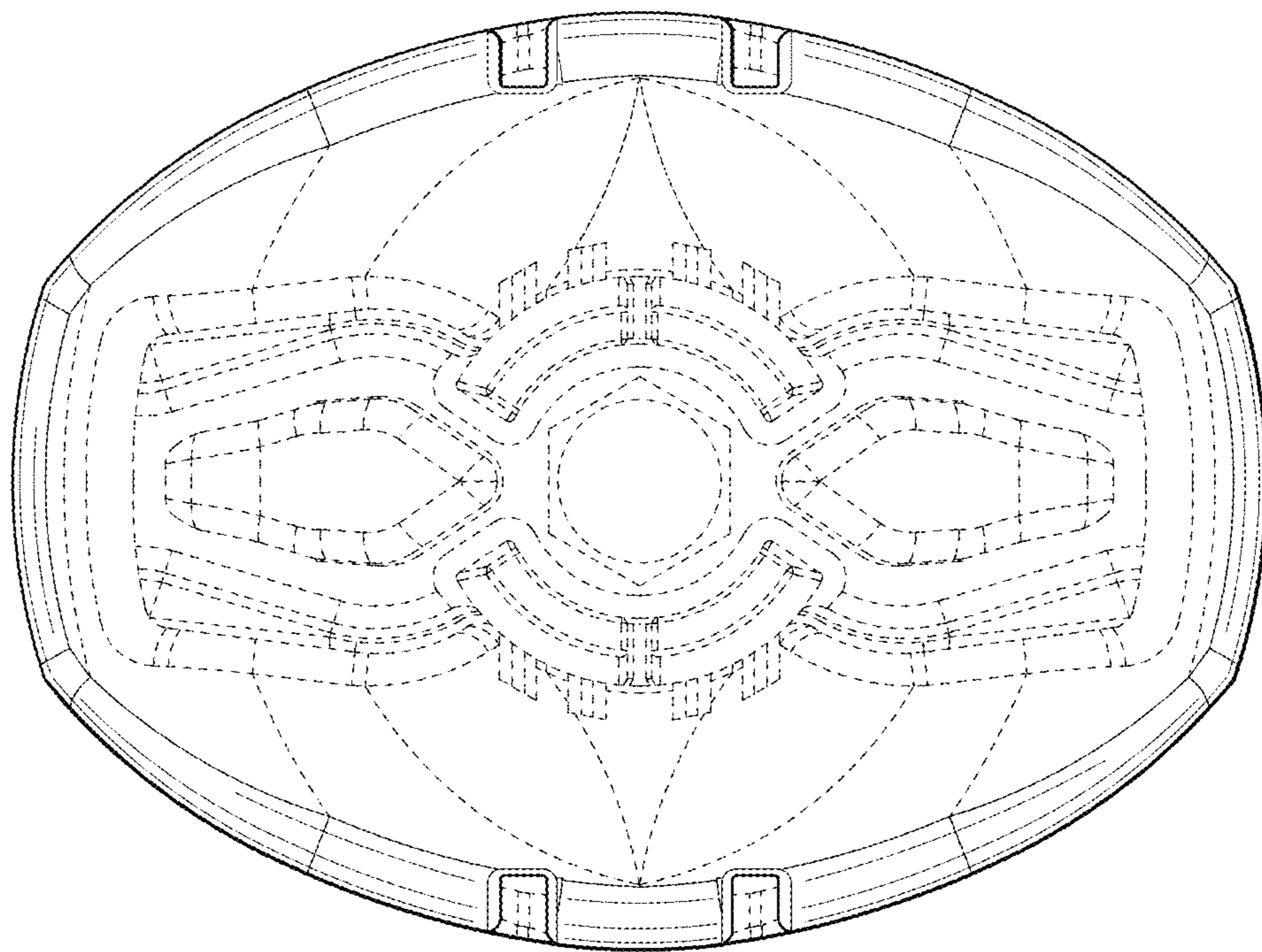


FIG. 5