



US00D831445S

(12) **United States Design Patent**  
**Karger et al.**

(10) **Patent No.:** **US D831,445 S**

(45) **Date of Patent:** **\*\* Oct. 23, 2018**

(54) **LUNCHBOX**

(71) Applicants: **Elizabeth Karger**, Oakland, CA (US);  
**Dominico Julian**, Oakland, CA (US)

(72) Inventors: **Elizabeth Karger**, Oakland, CA (US);  
**Dominico Julian**, Oakland, CA (US)

(\*\*) Term: **15 Years**

(21) Appl. No.: **29/599,331**

(22) Filed: **Mar. 31, 2017**

(51) **LOC (11) Cl.** ..... **09-03**

(52) **U.S. Cl.**  
USPC ..... **D7/709; D7/703**

(58) **Field of Classification Search**

USPC ..... D7/538-542, 601, 602, 612-615, 629,  
D7/701, 703, 709, 710; D3/201, 202,  
D3/206, 232, 273, 274; D9/424-432,  
D9/715-717, 737, 751, 759, 761  
CPC ..... A45C 11/20; A45C 3/02; A45C 13/02;  
B65D 1/36; B65D 77/00; B65D 5/66;  
B65D 5/6605

See application file for complete search history.

(56) **References Cited**

**U.S. PATENT DOCUMENTS**

D202,250 S *	9/1965	Hauser	190/11
D259,167 S *	5/1981	Daenen	D7/709
D302,904 S *	8/1989	Dunkfeld, Jr.	D7/709
D331,662 S *	12/1992	Melk	D3/282
D351,536 S *	10/1994	Maydwell	D7/709
D372,404 S *	8/1996	Booten	D3/282
5,718,336 A *	2/1998	Haarlander	A45C 13/08 206/232
D429,975 S *	8/2000	Marshall-Rees	D3/282

(Continued)

**FOREIGN PATENT DOCUMENTS**

JP D2010-21638 \* 9/2010

**OTHER PUBLICATIONS**

Review: PlanetBox Eco-Friendly. Online, published date Aug. 5, 2015. Retrieved on Mar. 13, 2018 from URL: <http://petiteplanet.blogspot.com/2014/08/review-planetbox-eco-friendly-stainless.html>.\*

*Primary Examiner* — Karen S Acker

*Assistant Examiner* — Omeed Agilee

(74) *Attorney, Agent, or Firm* — Quickpatents, LLC;  
Kevin Prince

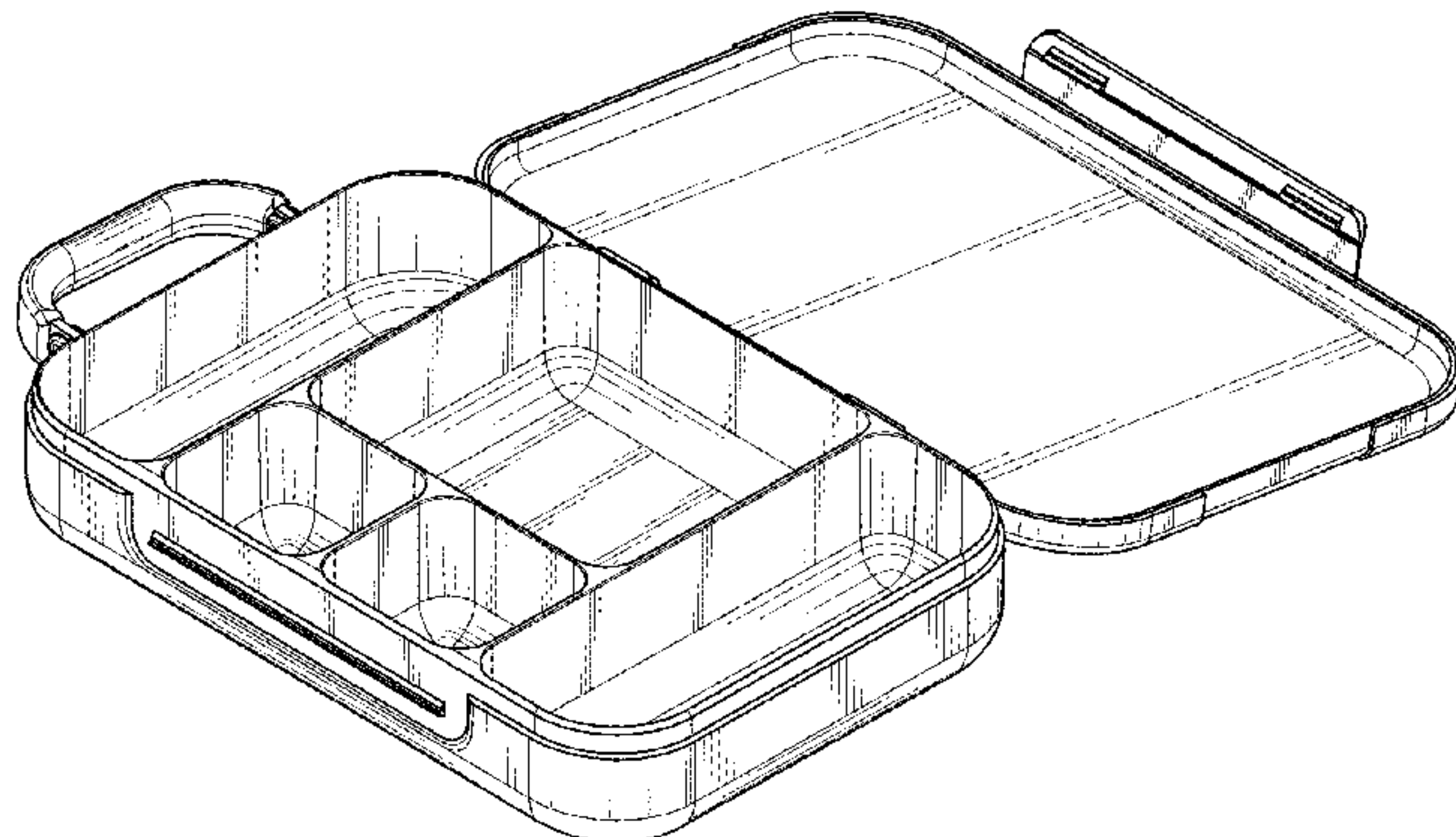
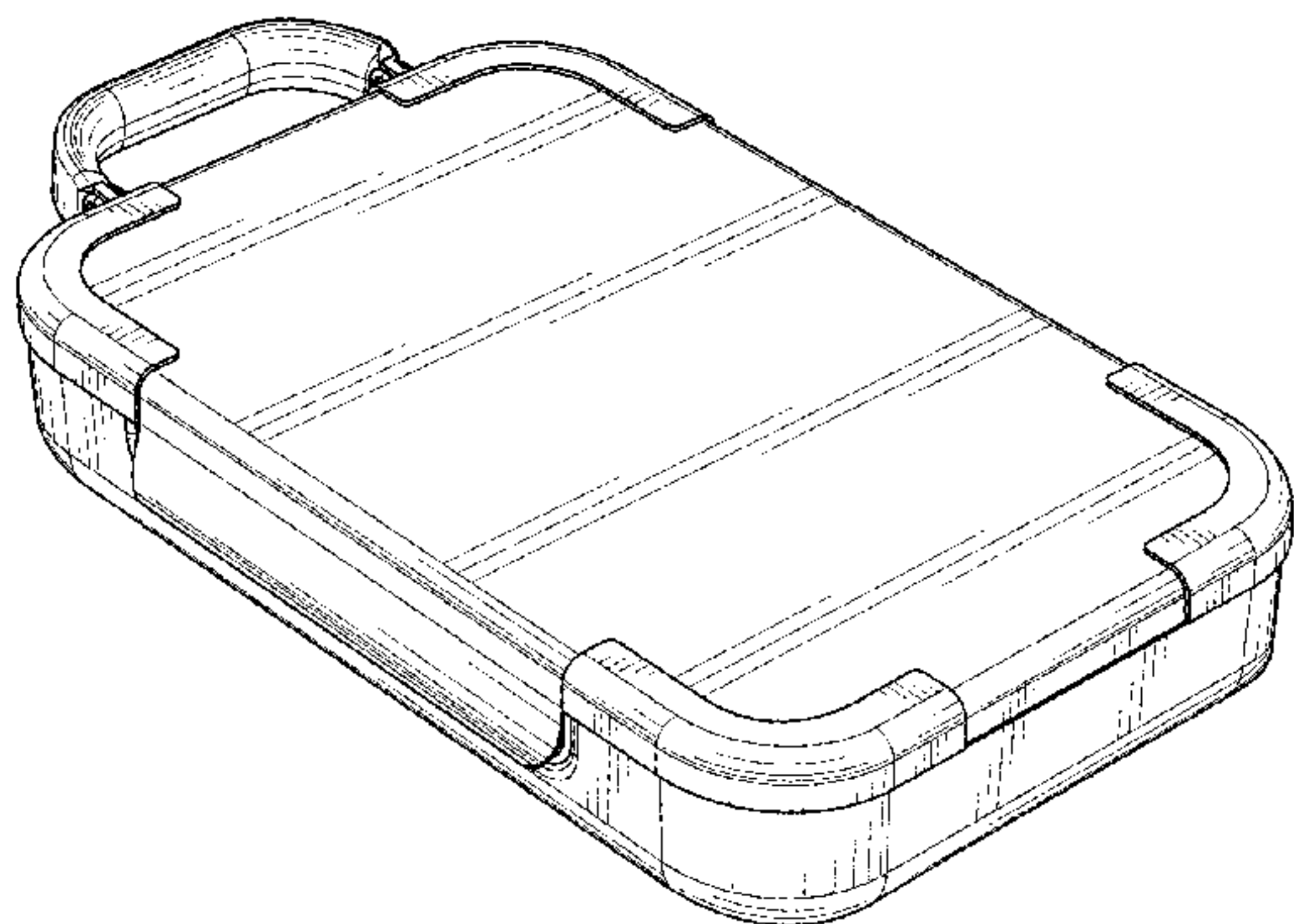
(57) **CLAIM**

We claim the ornamental design for a lunchbox, as shown and described.

**DESCRIPTION**

FIG. 1 is a top perspective view of a lunchbox, showing our new design in a closed configuration;  
FIG. 2 is a bottom perspective view of FIG. 1;  
FIG. 3 is a top plan view of FIG. 1;  
FIG. 4 is a bottom plan view of FIG. 1;  
FIG. 5 is a left-side elevational view of FIG. 1;  
FIG. 6 is a right-side elevational view of FIG. 1;  
FIG. 7 is a front elevational view of FIG. 1;  
FIG. 8 is a rear elevational view of FIG. 1;  
FIG. 9 is a top perspective view thereof, illustrated in an open configuration;  
FIG. 10 is a bottom perspective view of FIG. 9;  
FIG. 11 is a top plan view of FIG. 9;  
FIG. 12 is a bottom plan view of FIG. 9;  
FIG. 13 is a rear elevational view of FIG. 9;  
FIG. 14 is a front elevational view of FIG. 9;  
FIG. 15 is a left-side elevational view of FIG. 9; and,  
FIG. 16 is a right-side elevational view of FIG. 9.  
The broken lines shown in FIGS. 2, 4, 10, and 12 on the bottom surface of the lunchbox illustrating a logo and logo plate depict environmental subject matter that forms no part of the claimed design. All other broken lines depict portions of the lunchbox that form no part of the claimed design.

**1 Claim, 9 Drawing Sheets**



(56)

**References Cited**

U.S. PATENT DOCUMENTS

6,144,016 A \* 11/2000 Garvin ..... A45C 11/20  
206/550  
7,004,323 B1 \* 2/2006 Symonds ..... A45C 11/20  
206/542  
D530,092 S \* 10/2006 Roesler ..... D3/294  
D531,798 S \* 11/2006 Ringo ..... D3/273  
D569,103 S \* 5/2008 Hoge ..... D3/273  
D579,201 S \* 10/2008 Galli ..... D3/273  
D619,089 S \* 7/2010 Chen ..... D13/102  
D673,036 S \* 12/2012 Wolf ..... D9/420  
D696,895 S \* 1/2014 Whitehead ..... D7/354  
D752,430 S \* 3/2016 Stevenson ..... D9/425  
D778,156 S \* 2/2017 Follett ..... D9/432  
D790,931 S \* 7/2017 Repac ..... D7/678  
D811,825 S \* 3/2018 Neumann ..... D7/629  
2002/0179482 A1 \* 12/2002 Castaneda ..... A45C 11/20  
206/541  
2010/0275615 A1 \* 11/2010 Francois ..... A45C 11/20  
62/3.3

\* cited by examiner

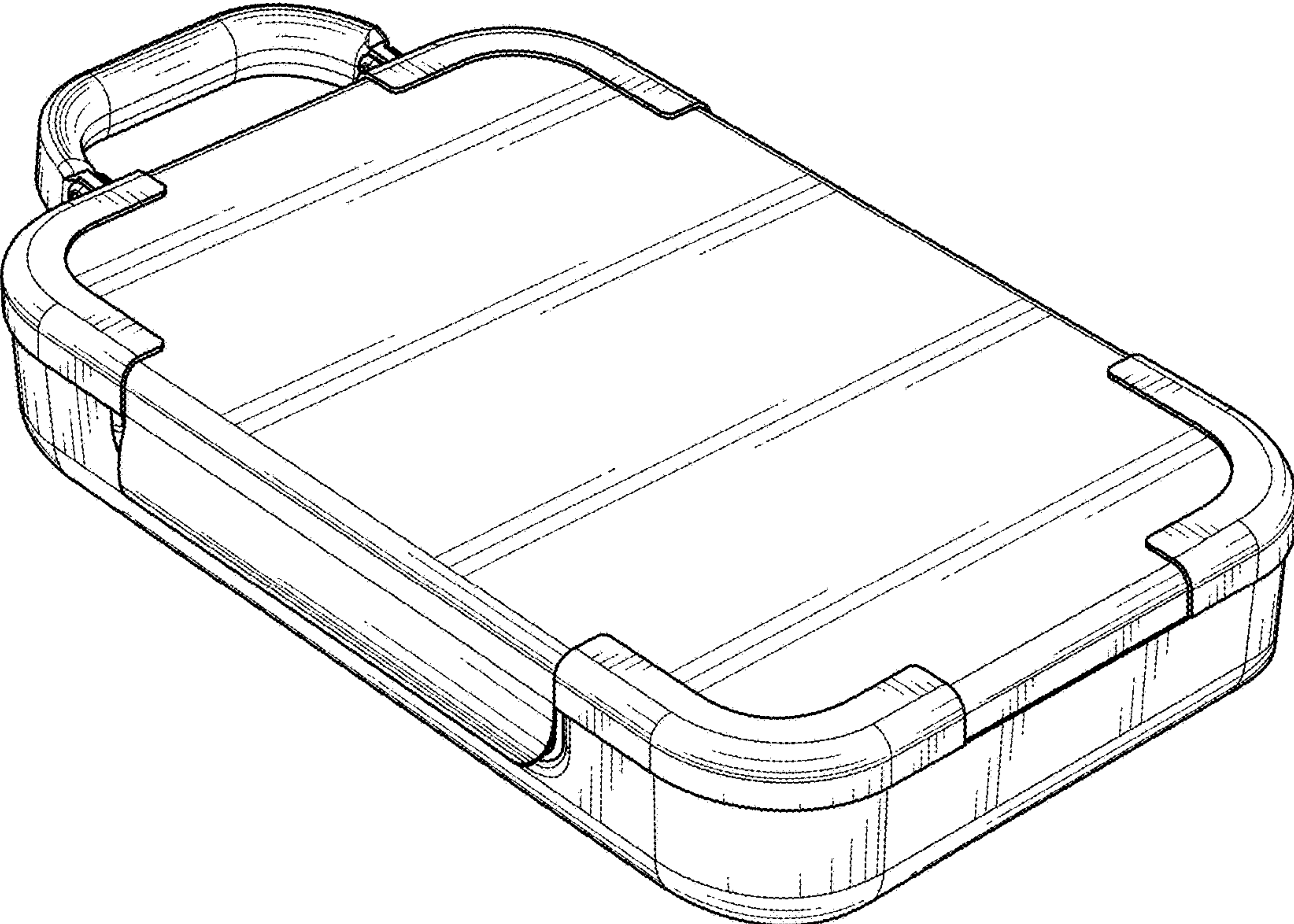


FIG. 1



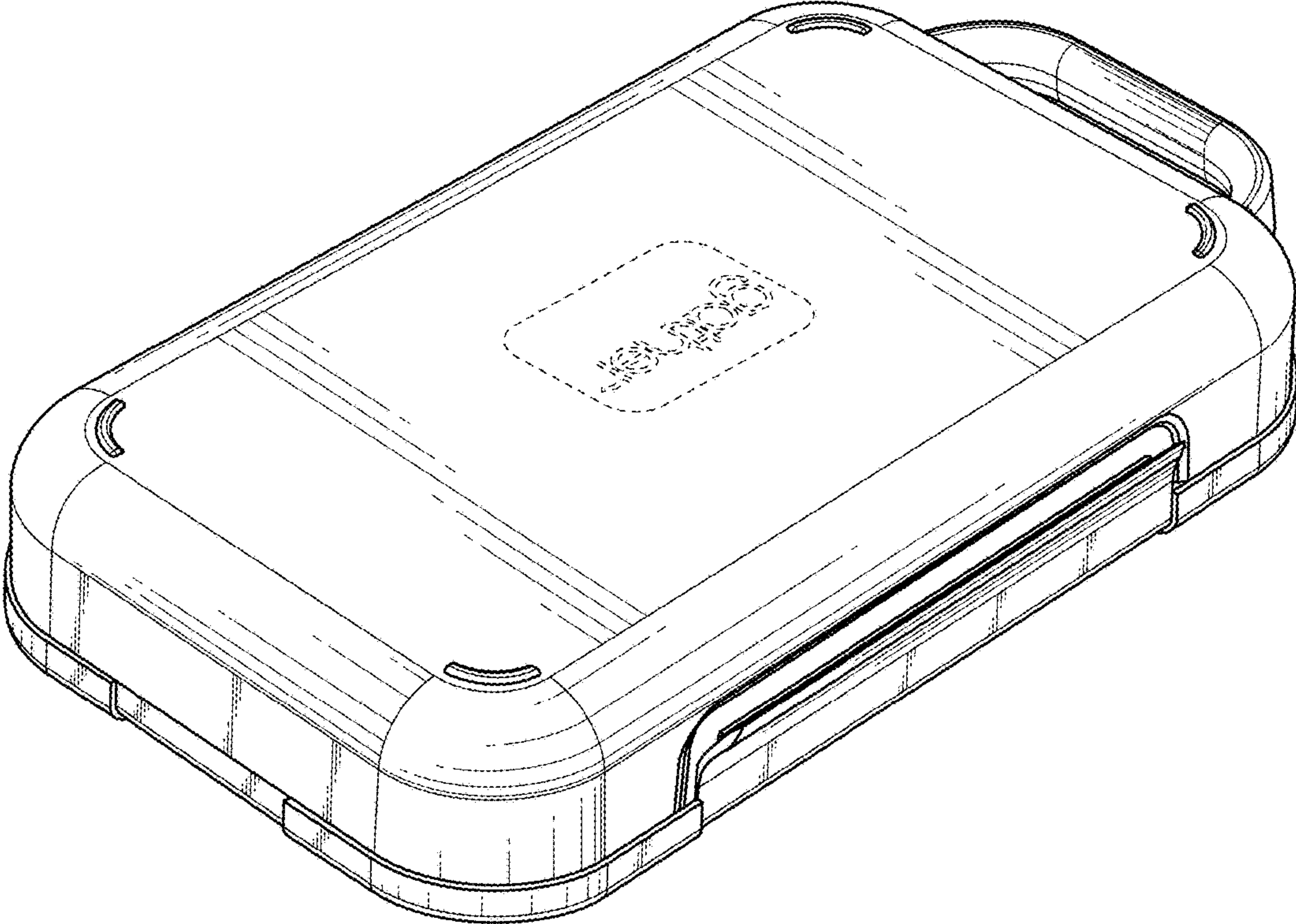


FIG. 2

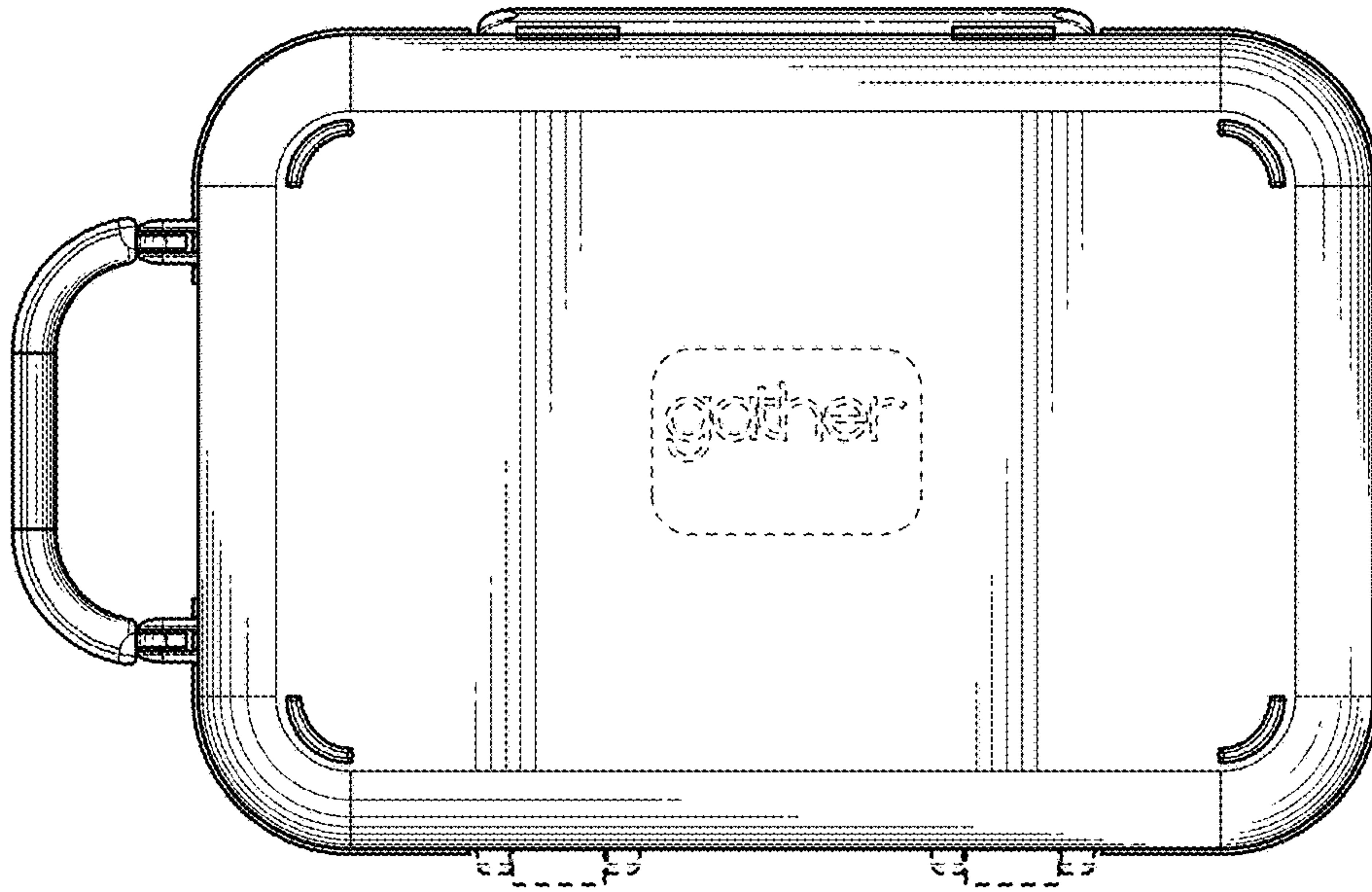


FIG. 4

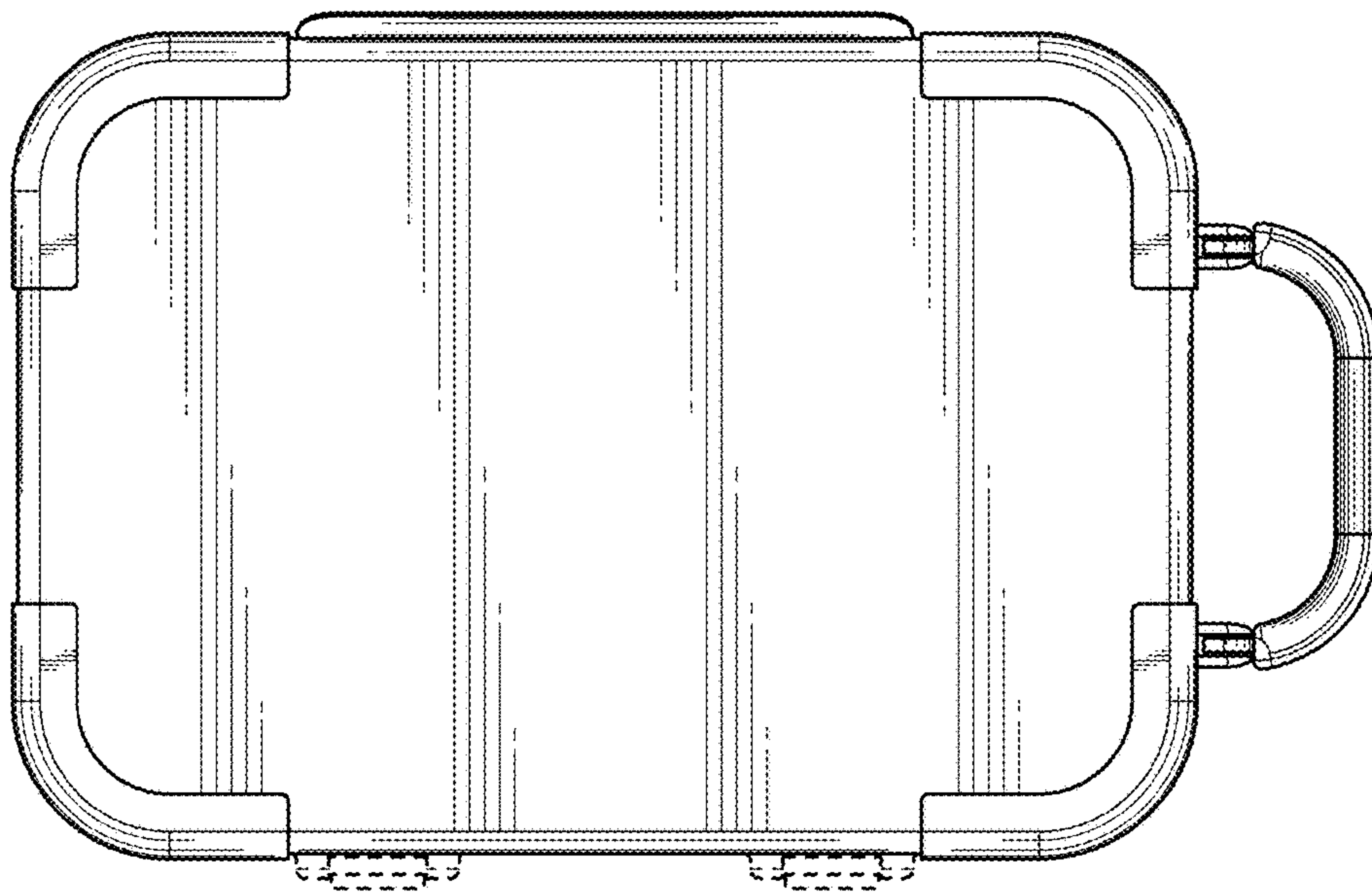


FIG. 3

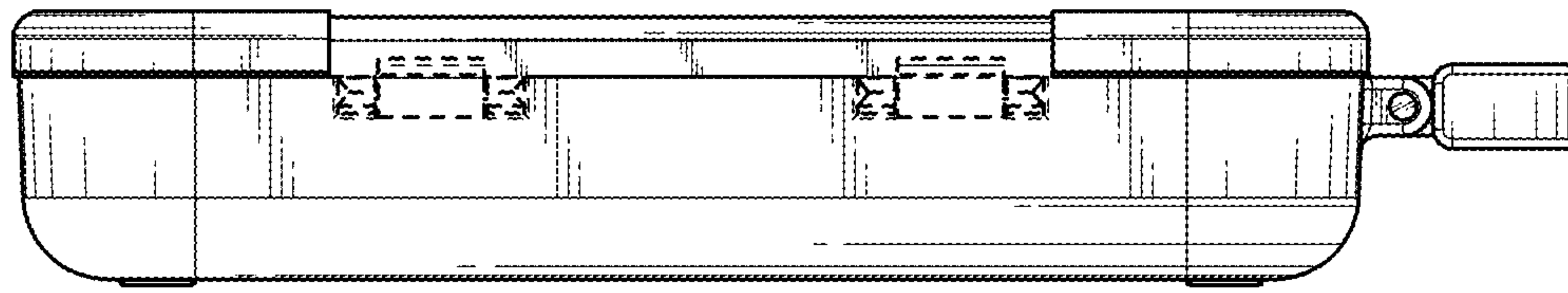


FIG. 5

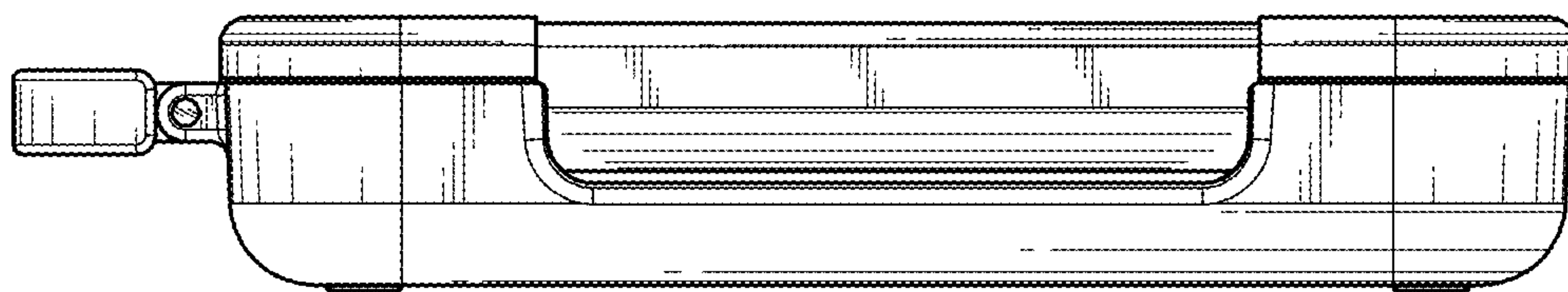


FIG. 6

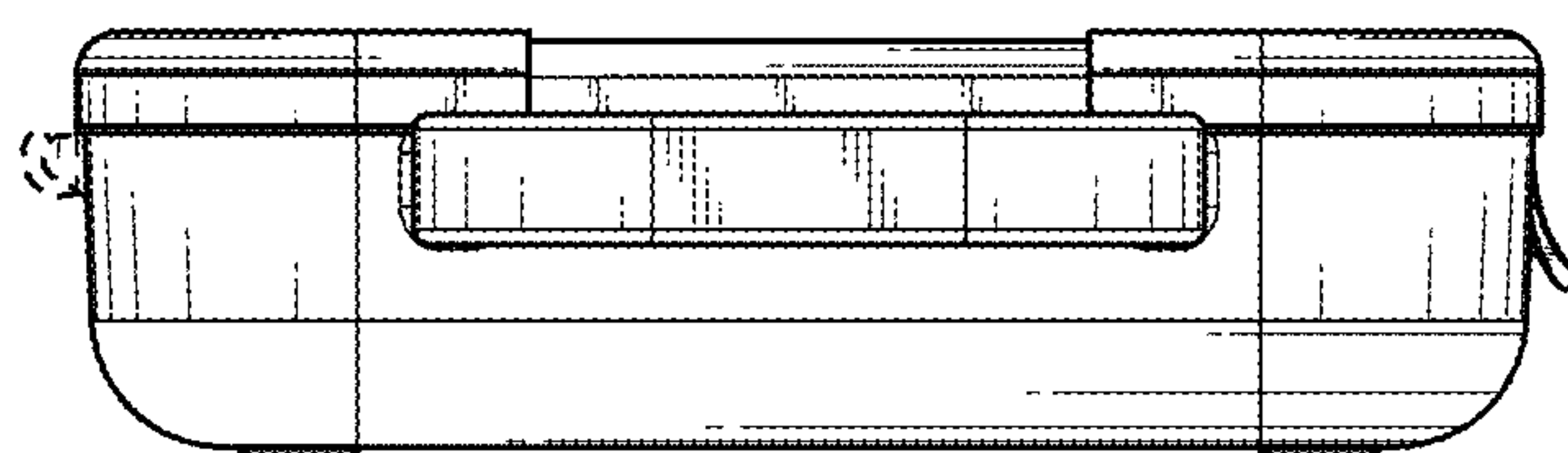


FIG. 7

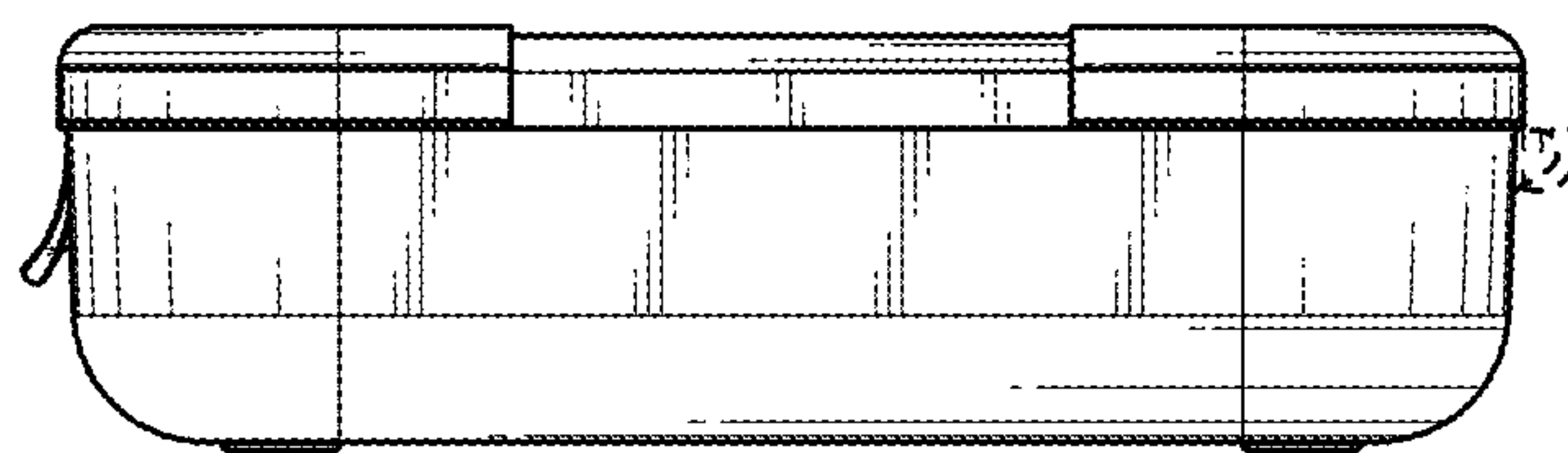


FIG. 8

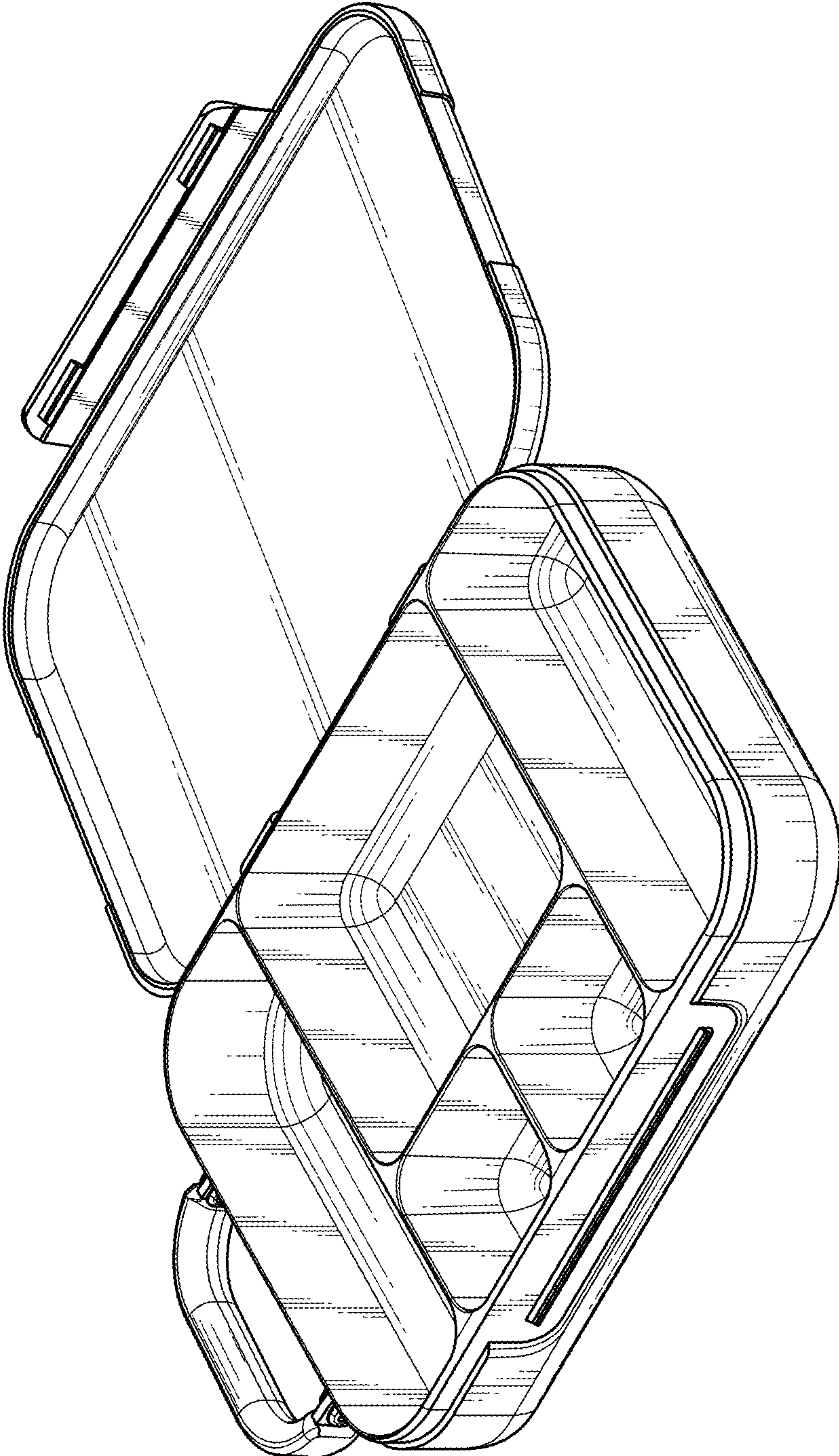


FIG. 9



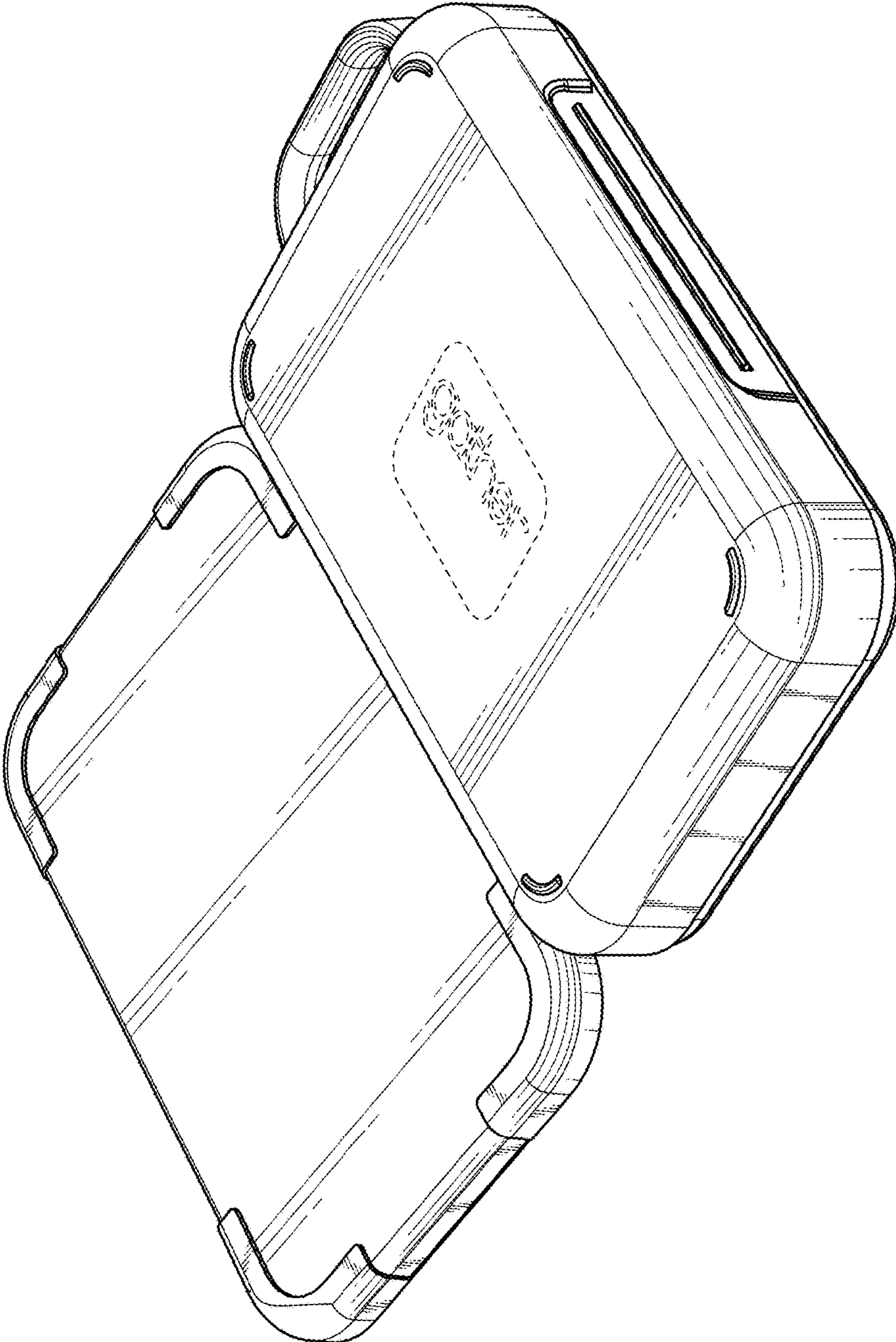


FIG. 10



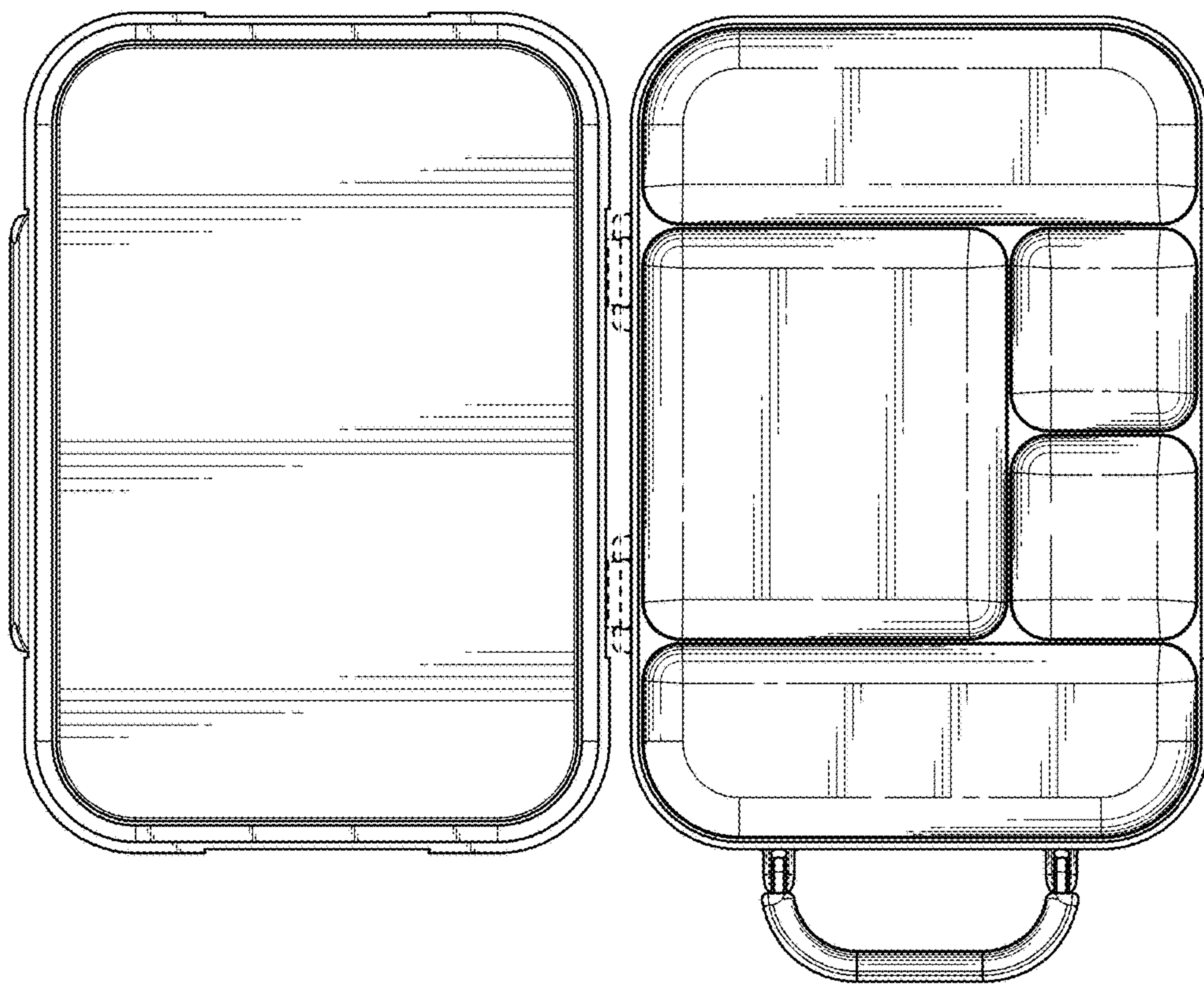


FIG. 11



FIG. 12

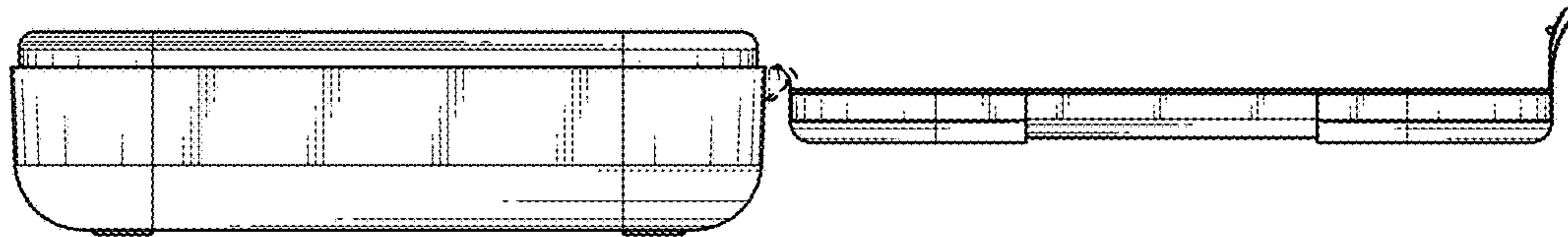


FIG. 13

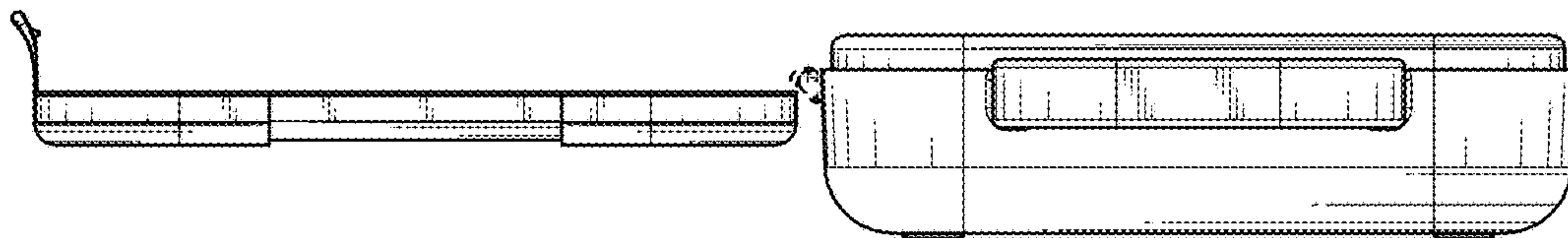


FIG. 14

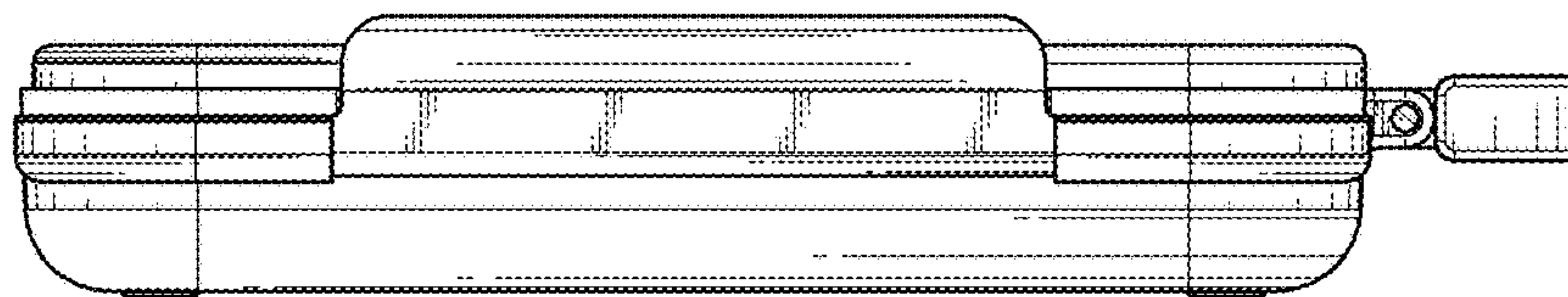


FIG. 15

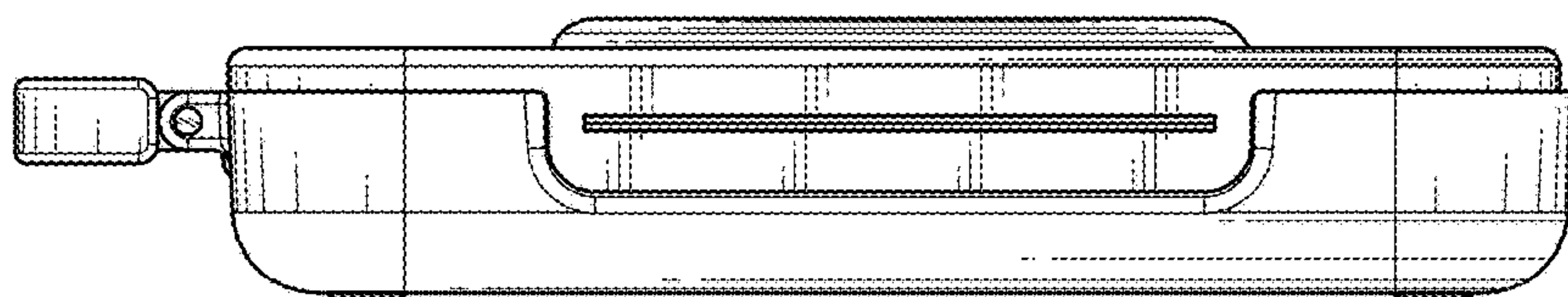


FIG. 16