



US00D831443S

(12) **United States Design Patent**
Zhang

(10) **Patent No.:** **US D831,443 S**

(45) **Date of Patent:** **** Oct. 23, 2018**

(54) **FOOD CONTAINER WITH THREE COMPARTMENTS**

(71) Applicant: **Jian Zhong Zhang**, Handan (CN)

(72) Inventor: **Jian Zhong Zhang**, Handan (CN)

(**) Term: **15 Years**

(21) Appl. No.: **29/596,517**

(22) Filed: **Mar. 8, 2017**

(51) **LOC (11) Cl.** **07-07**

(52) **U.S. Cl.**
USPC **D7/701; D7/555**

(58) **Field of Classification Search**
USPC D7/501, 540–543, 545, 546, 549, 553.1, D7/553.2, 553.6, 553.7, 554.1, 554.2, D7/555, 602, 620, 629; D9/414–434, D9/442–445, 456, 457, 542, 563, 600, D9/614–624, 655, 657, 658, 661, 685, D9/695, 697–699, 707, 708, 711, 754, D9/759, 772–776; D30/130
CPC A45C 11/20; B65D 25/04
See application file for complete search history.

(56) **References Cited**

U.S. PATENT DOCUMENTS

- 2,515,617 A * 7/1950 Tilford A47J 37/10
126/390.1
- D232,613 S * 9/1974 Cheladze D7/555
- 4,081,646 A * 3/1978 Goltosos A47G 23/06
219/729
- D291,042 S * 7/1987 Fahey D7/555
- D347,303 S * 5/1994 Mann D30/130
- D360,110 S * 7/1995 Austin D7/701
- 6,440,509 B1 * 8/2002 Littlejohn A47G 19/03
220/556
- D496,829 S * 10/2004 Guzzini D7/553.6
- D540,121 S * 4/2007 Littlejohn D7/549
- D541,589 S * 5/2007 Littlejohn D7/549
- D568,110 S * 5/2008 Epstein D7/553.6

- 7,673,753 B1 * 3/2010 Huckert A47G 19/025
206/459.1
- D646,160 S * 10/2011 Shiffer D9/425
- D802,836 S * 11/2017 Ghiotti D27/186
- D804,721 S * 12/2017 Ghiotti D27/186
- 2009/0208614 A1 * 8/2009 Sharma B65D 1/36
426/107

OTHER PUBLICATIONS

High quality stackable glass bento lunch box. Online, published date unknown. Retrieved on Feb. 27, 2018 from URL: https://www.alibaba.com/product-detail/High-quality-stackable-glass-bento-lunch_60641312644.html.*

Round borosilicate divided ovenable pyrex glass food storage container with pp lid. Online, published date unknown. Retrieved on Sep. 2, 2018 from URL: https://www.alibaba.com/product-detail/Round-borosilicate-divided-ovenable-pyrex-glass_60730773921.html.*

* cited by examiner

Primary Examiner — Karen S Acker

Assistant Examiner — Omeed Agilee

(74) *Attorney, Agent, or Firm* — Wayne & Ken, LLC;
Tony Hom

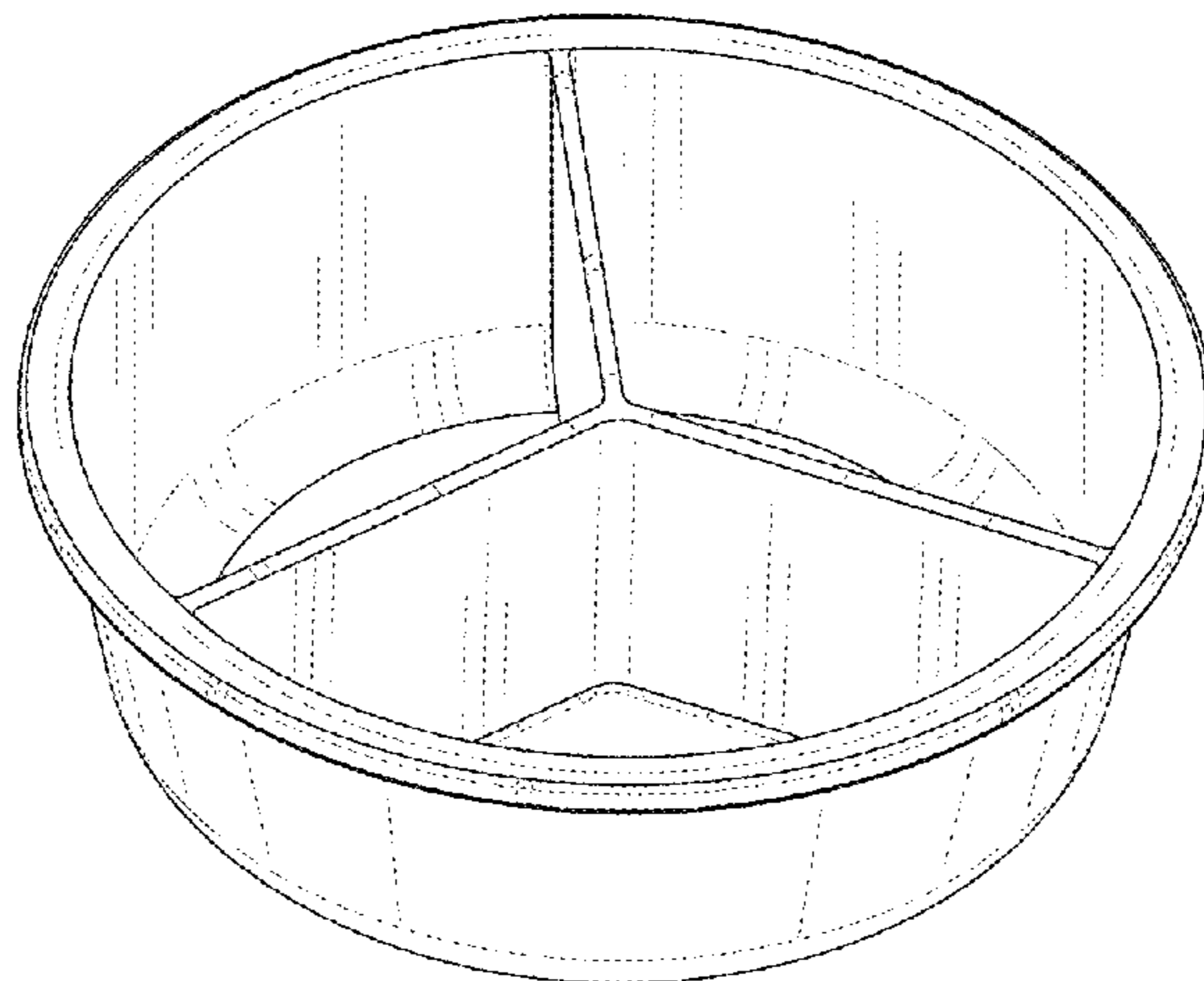
(57) **CLAIM**

The ornamental design for a food container with three compartments, as shown and described.

DESCRIPTION

FIG. 1 is a top plan view of a food container with three components showing my new design;
FIG. 2 is a bottom plan view thereof;
FIG. 3 is a left side elevation view thereof;
FIG. 4 is a right side elevation view thereof;
FIG. 5 is a front elevation view thereof;
FIG. 6 is a rear elevation view thereof; and,
FIG. 7 is a top, front perspective view thereof.

1 Claim, 7 Drawing Sheets



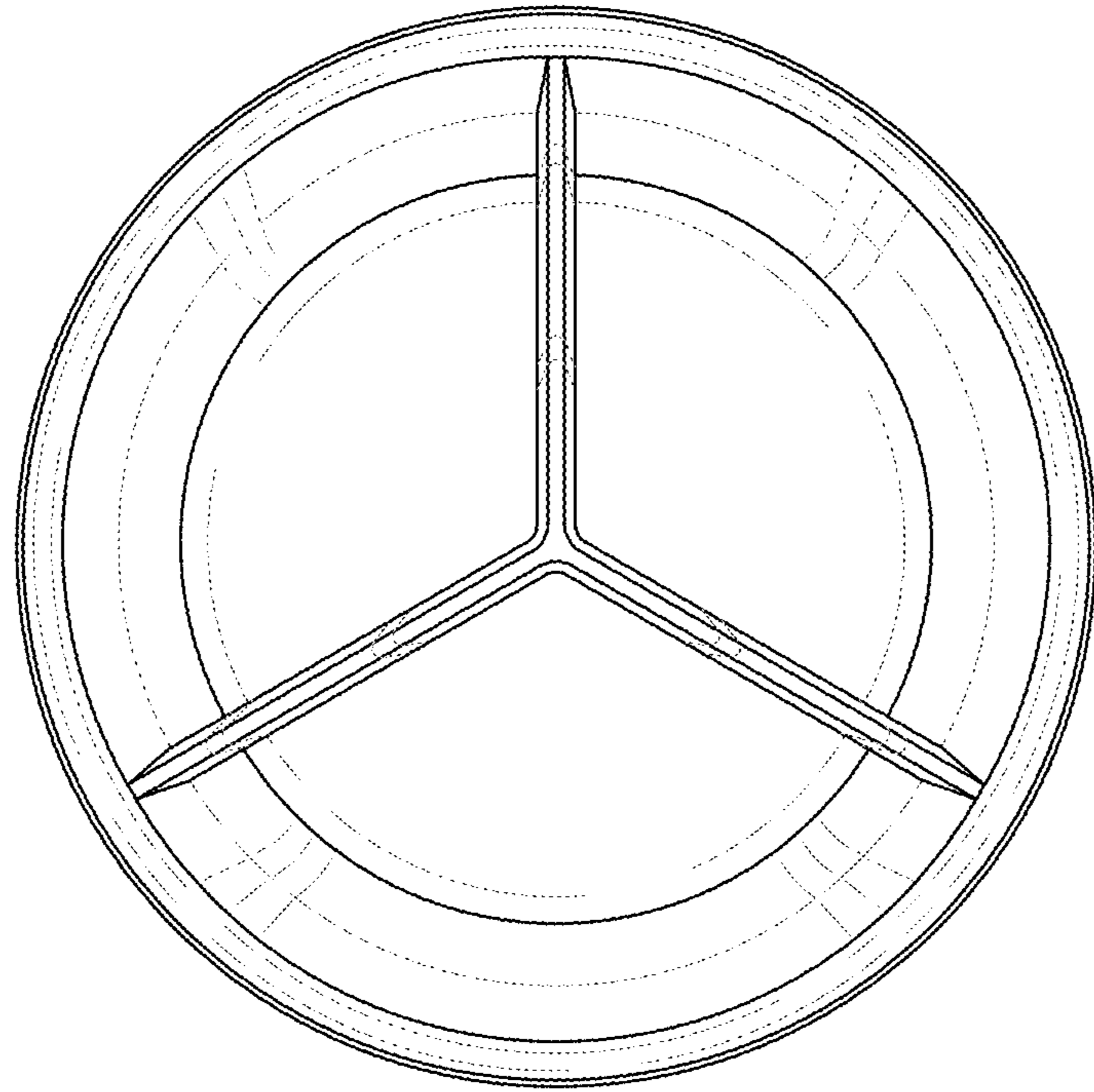


Fig. 1

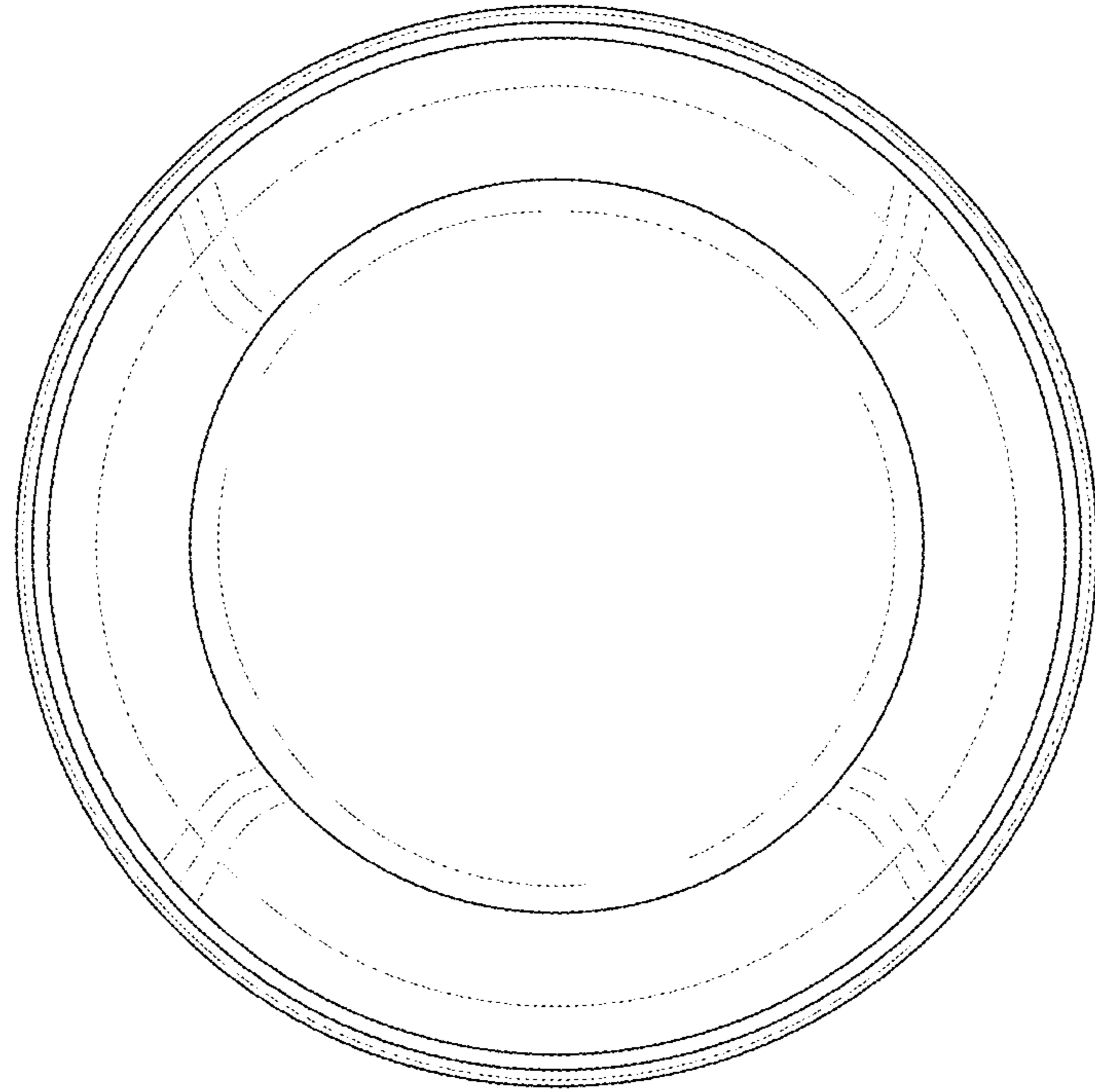


Fig. 2

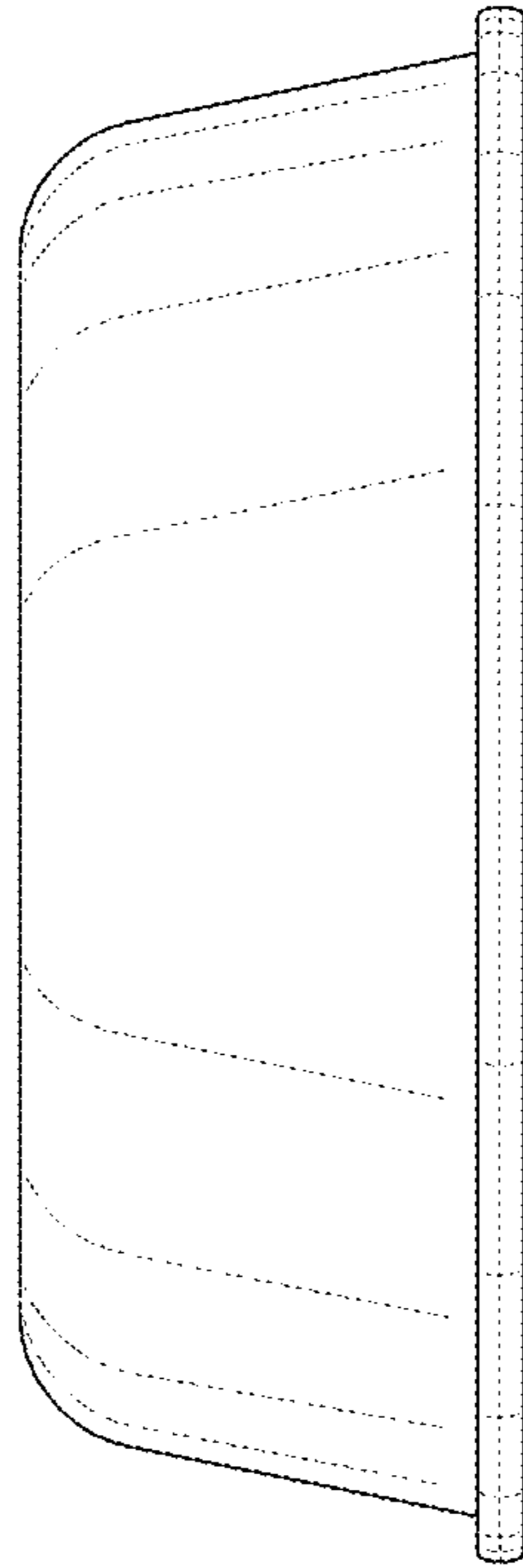


Fig. 3

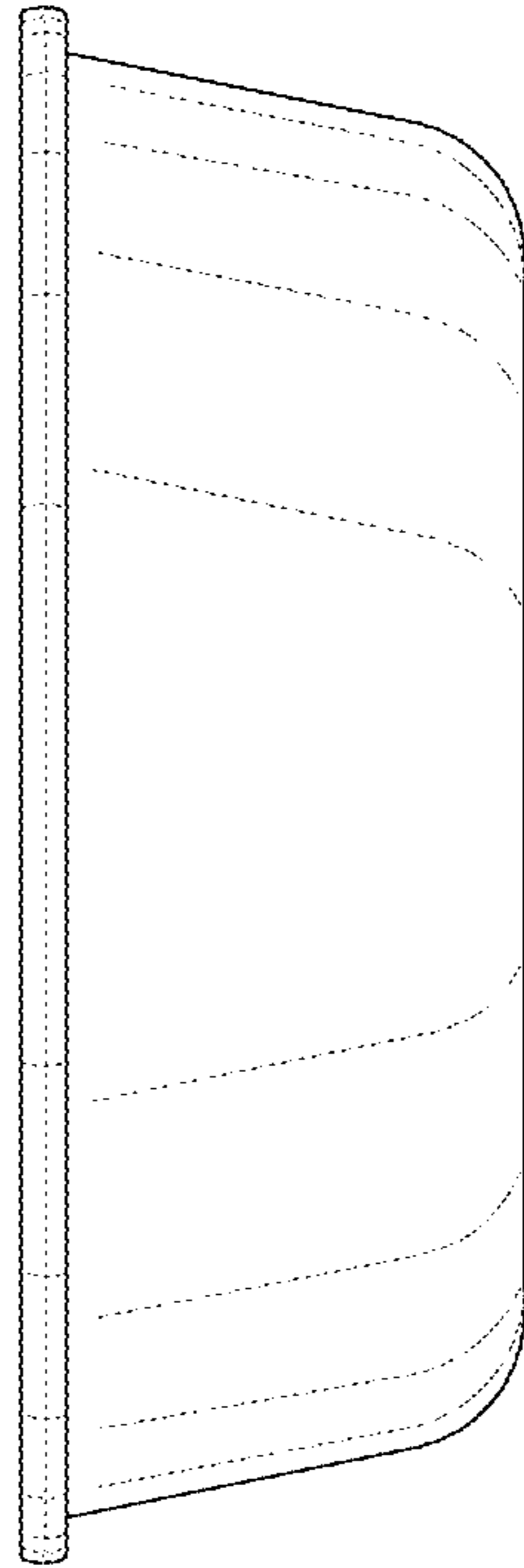


Fig. 4

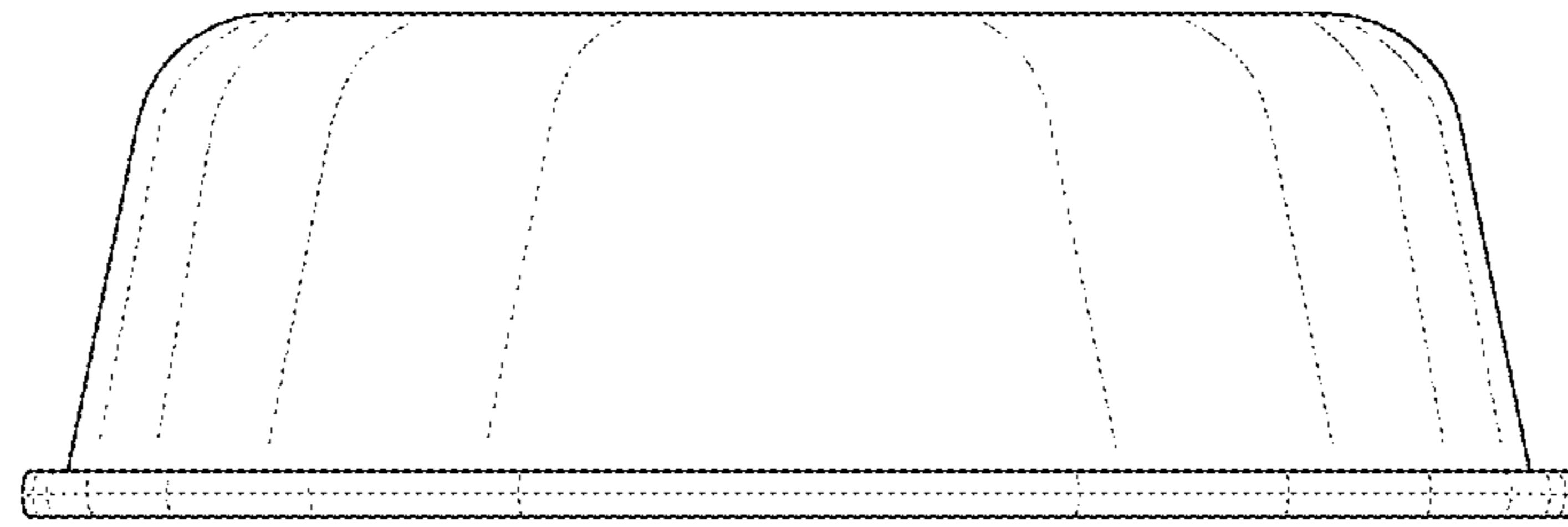


Fig. 5

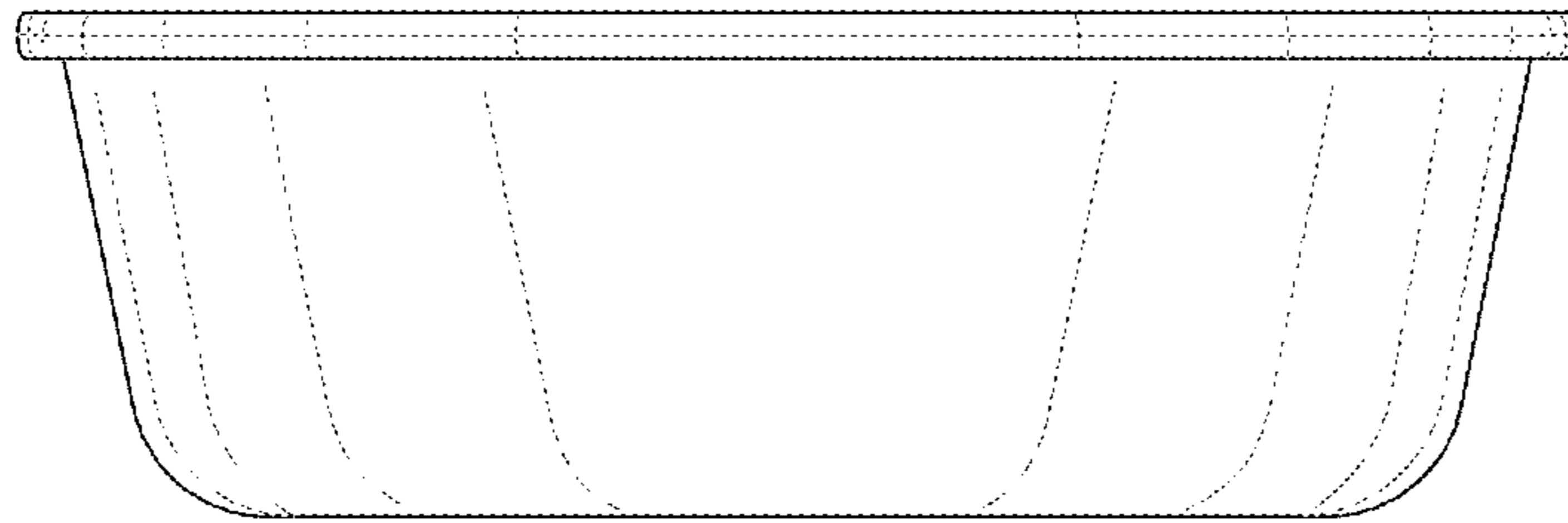


Fig. 6

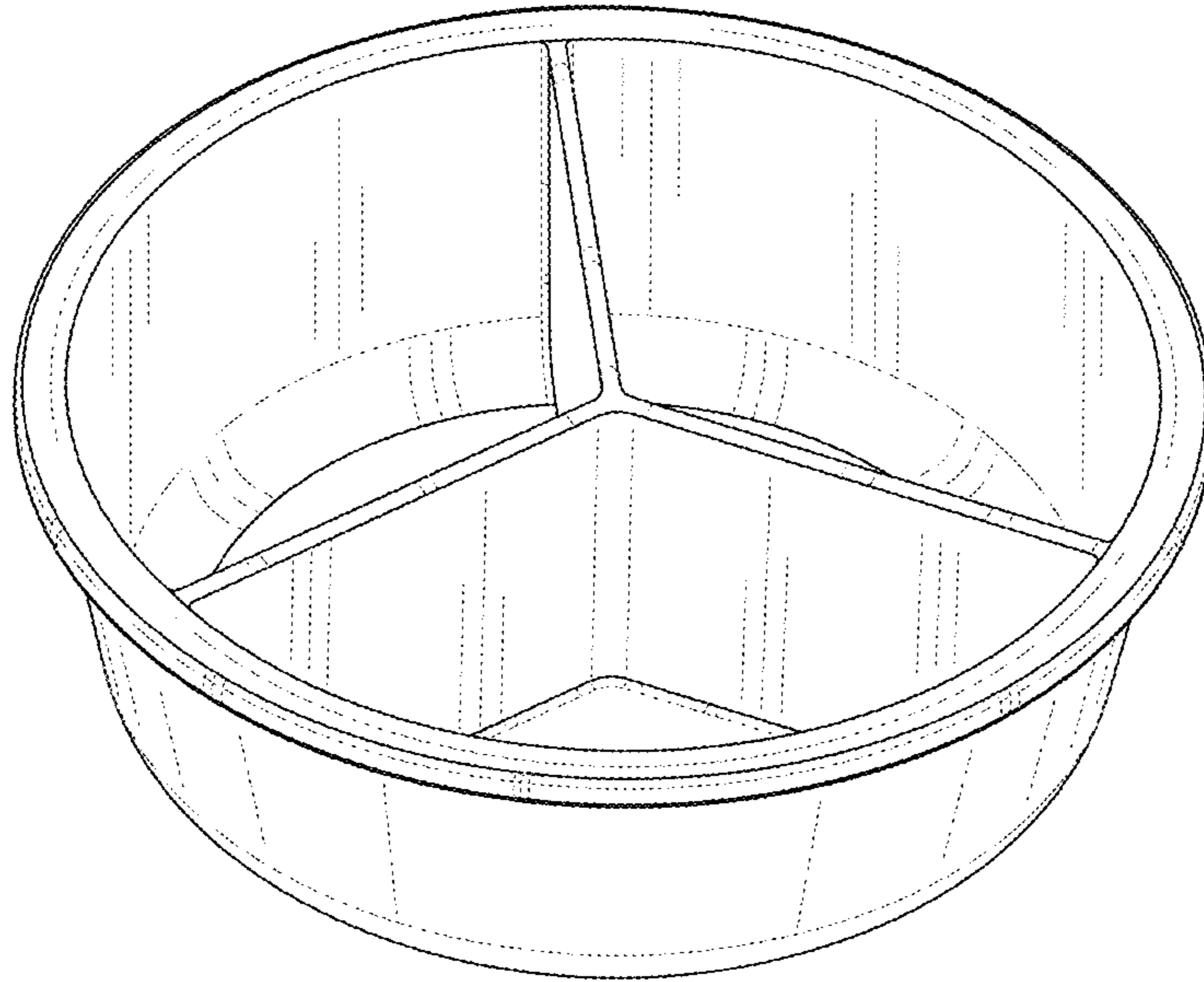


Fig. 7