



US00D831438S

(12) **United States Design Patent**
Irish

(10) **Patent No.:** **US D831,438 S**

(45) **Date of Patent:** **** Oct. 23, 2018**

- (54) **BEVERAGE INSULATING SLEEVE**
- (71) Applicant: **Ryan Irish**, Port Richey, FL (US)
- (72) Inventor: **Ryan Irish**, Port Richey, FL (US)
- (**) Term: **15 Years**
- (21) Appl. No.: **29/614,976**
- (22) Filed: **Aug. 24, 2017**
- (51) **LOC (11) Cl.** **07-06**
- (52) **U.S. Cl.**
USPC **D7/624.2**
- (58) **Field of Classification Search**
USPC D7/601, 605, 607, 608, 615, 624.2, 625;
D6/531-534; D3/304-314; D9/444,
D9/501-504, 574, 575, 779; 220/592.17
CPC .. F25D 3/08; B65D 25/30; B65D 7/24; B65D
81/3876; B65D 81/3879; B65D 23/104;
B65D 81/38; B65D 81/3886; B65D
81/3883; B65D 81/3881; B65D 83/00;
B65D 1/42; A45C 11/20; A47G 23/0216;
A47G 19/2288; A47G 23/0241; A47G
23/0225; A47G 2023/0291; A45F
2200/0583; A61F 7/10; B31D 5/0086;
A47J 41/02; B29C 63/06
See application file for complete search history.

(56) **References Cited**

U.S. PATENT DOCUMENTS

- 4,268,567 A * 5/1981 Harmony B29C 63/06
150/901
- 4,344,303 A * 8/1982 Kelly, Jr. A61F 7/10
215/12.1
- D341,293 S * 11/1993 Guo D7/607
- 6,019,245 A * 2/2000 Foster B65D 81/3881
215/11.6
- D423,299 S * 4/2000 Burrus D7/607
- 6,357,253 B1 * 3/2002 Condy B65D 81/3883
62/371

- 6,655,543 B2 * 12/2003 Beuke B65D 81/3876
220/739
- D589,758 S * 4/2009 Mancha D7/607
- D590,211 S * 4/2009 Mancha, Jr. D7/607
- 7,677,407 B2 * 3/2010 Davis A47G 23/0225
220/478
- D639,514 S * 6/2011 Lewis D29/120.1
- D643,693 S * 8/2011 Jama D7/607
- D693,686 S * 11/2013 Rosenberg D9/416

(Continued)

Primary Examiner — Freda S Nunn

(74) *Attorney, Agent, or Firm* — Matthew M. Googe;
Robinson IP Law, PLLC

(57) **CLAIM**

The ornamental design for a beverage insulating sleeve, as shown and described.

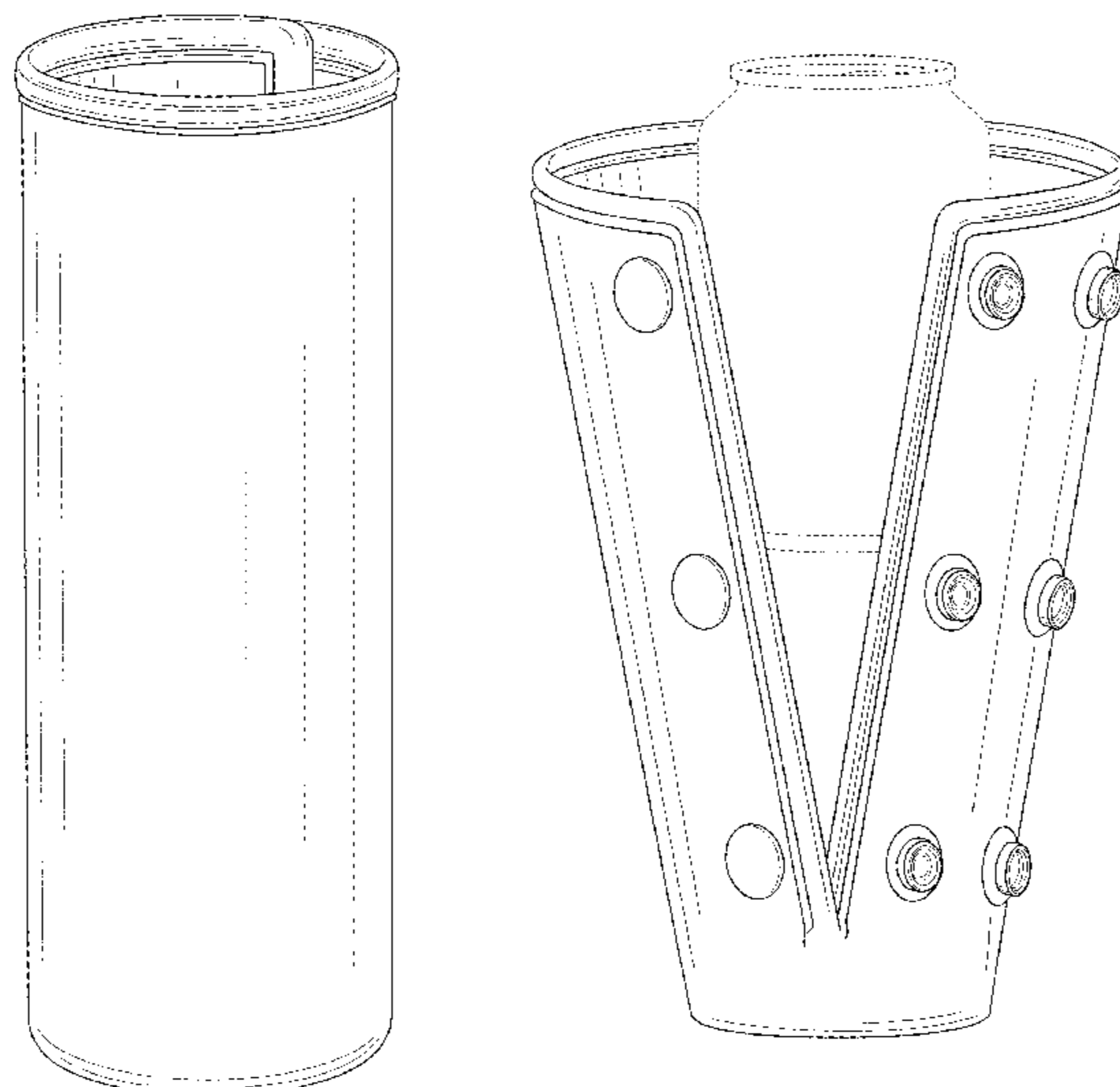
DESCRIPTION

FIG. 1 is a front perspective view of the beverage insulating sleeve showing my new design;
 FIG. 2 is a front elevational view thereof;
 FIG. 3 is a rear elevational view thereof;
 FIG. 4 is left elevational view thereof;
 FIG. 5 is a right elevational view thereof;
 FIG. 6 is a top view thereof;
 FIG. 7 is a bottom view thereof; and,
 FIG. 8 is a view of the beverage insulating sleeve in an open configuration with the beverages shown within the beverage insulating sleeve, the beverage insulation sleeve including a plurality of snaps to accommodate various sized beverage containers.

The thin solid lines in the views have been provided for the purpose of illustrating the uniformity of the planar surfaces and the contour of the curved surfaces and are not a claimed surface pattern.

The structural features depicted by broken lines in the drawing have been provided for the purpose of illustrating portions of the beverage insulating sleeve that form no part of the claimed design.

1 Claim, 8 Drawing Sheets



(56)

References Cited

U.S. PATENT DOCUMENTS

8,720,739	B2 *	5/2014	Bollis	B65D 81/3879 220/739
9,044,113	B2 *	6/2015	Hargett	B65D 81/3876
2007/0138188	A1 *	6/2007	Mace	B31D 5/0086 220/739
2008/0017654	A1 *	1/2008	Chu	B65D 81/3886 220/739
2013/0075412	A1 *	3/2013	Schminke	B65D 81/3876 220/739

* cited by examiner

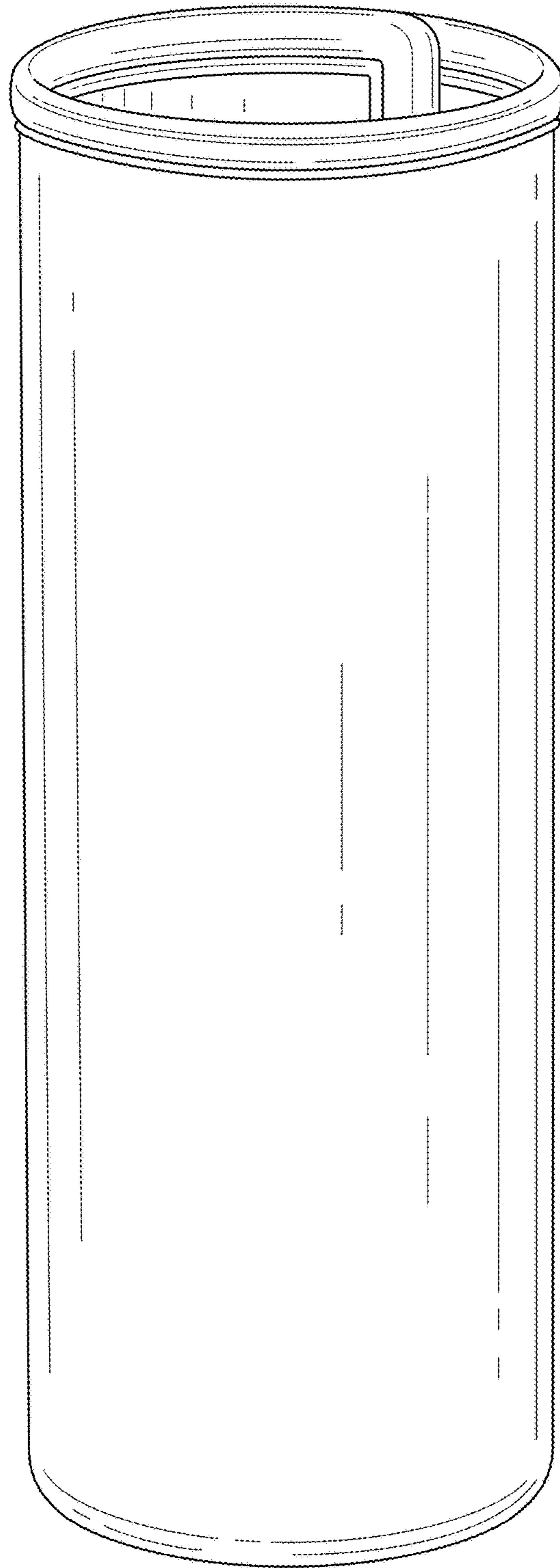


FIG. 1

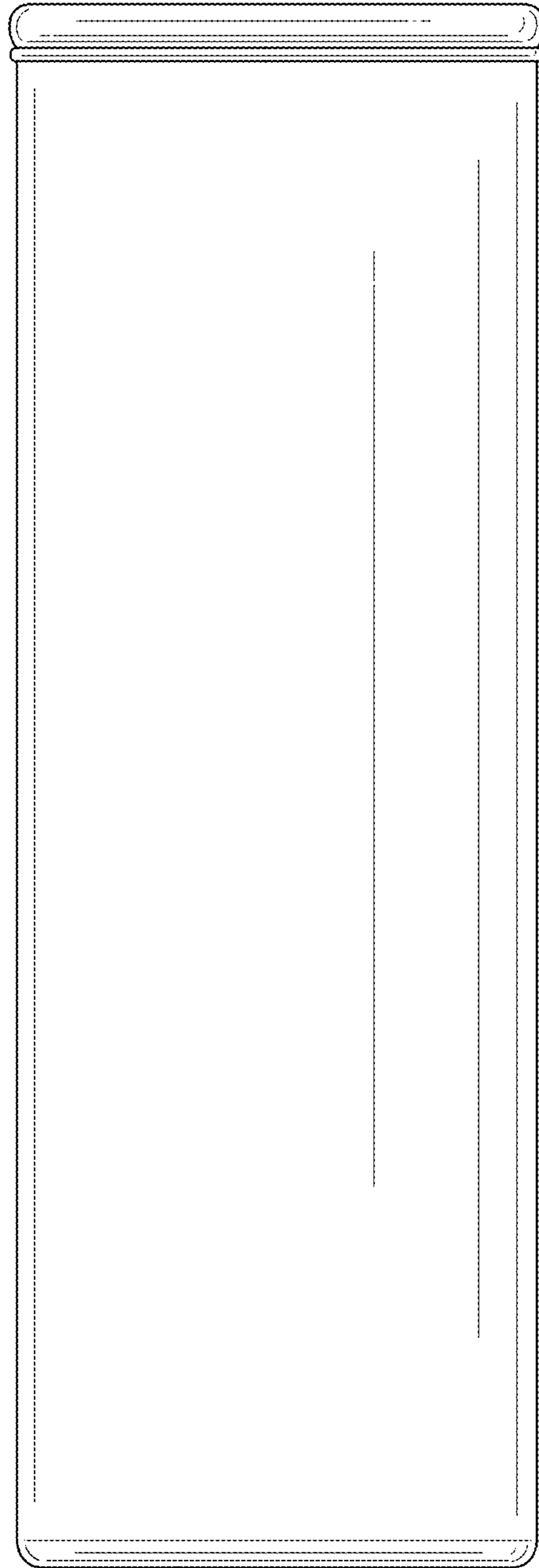


FIG. 2

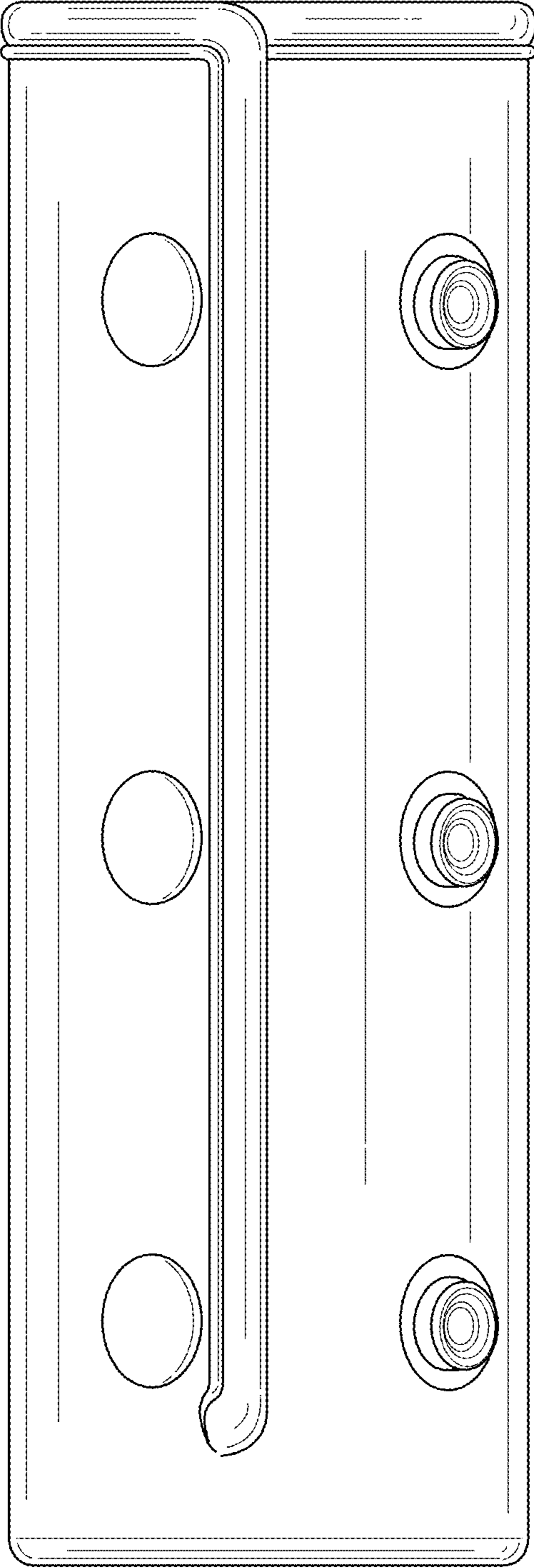


FIG. 3

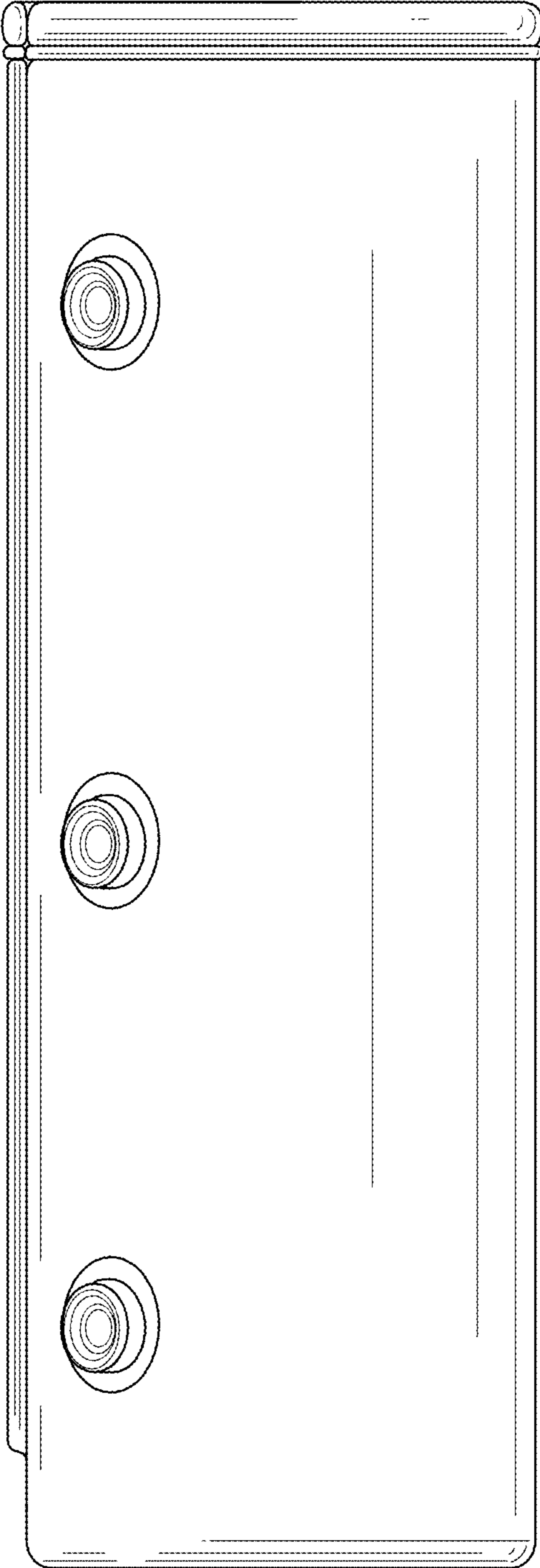


FIG. 4

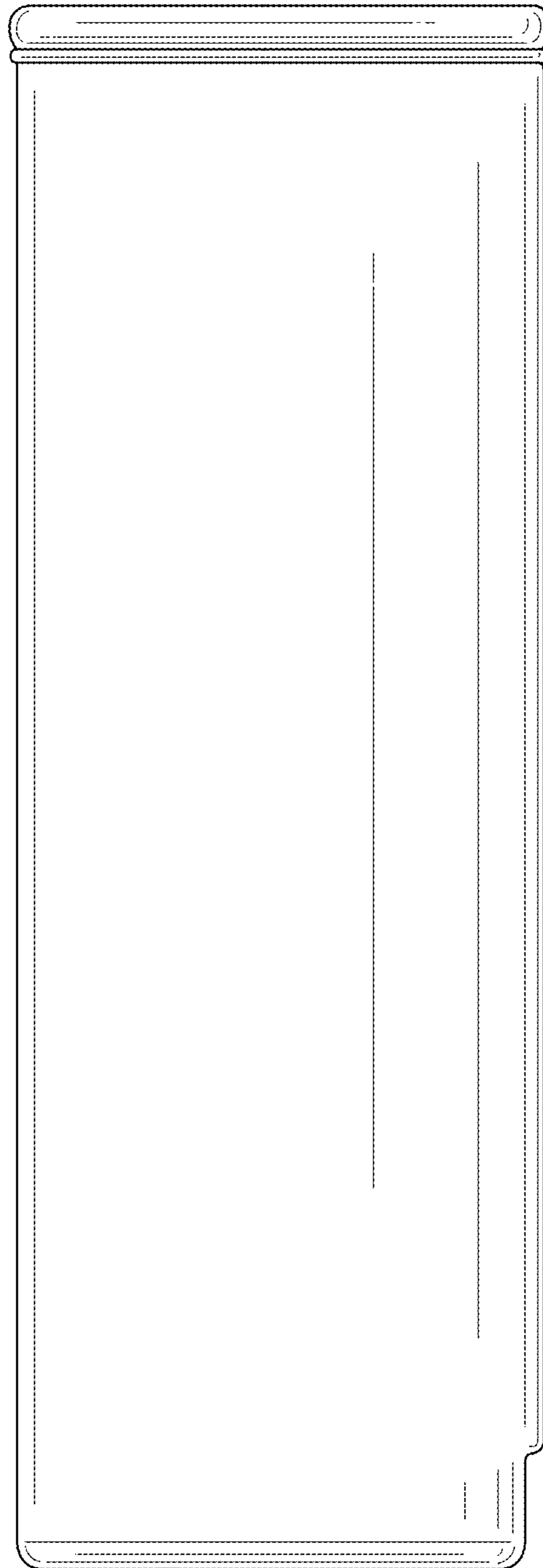


FIG. 5

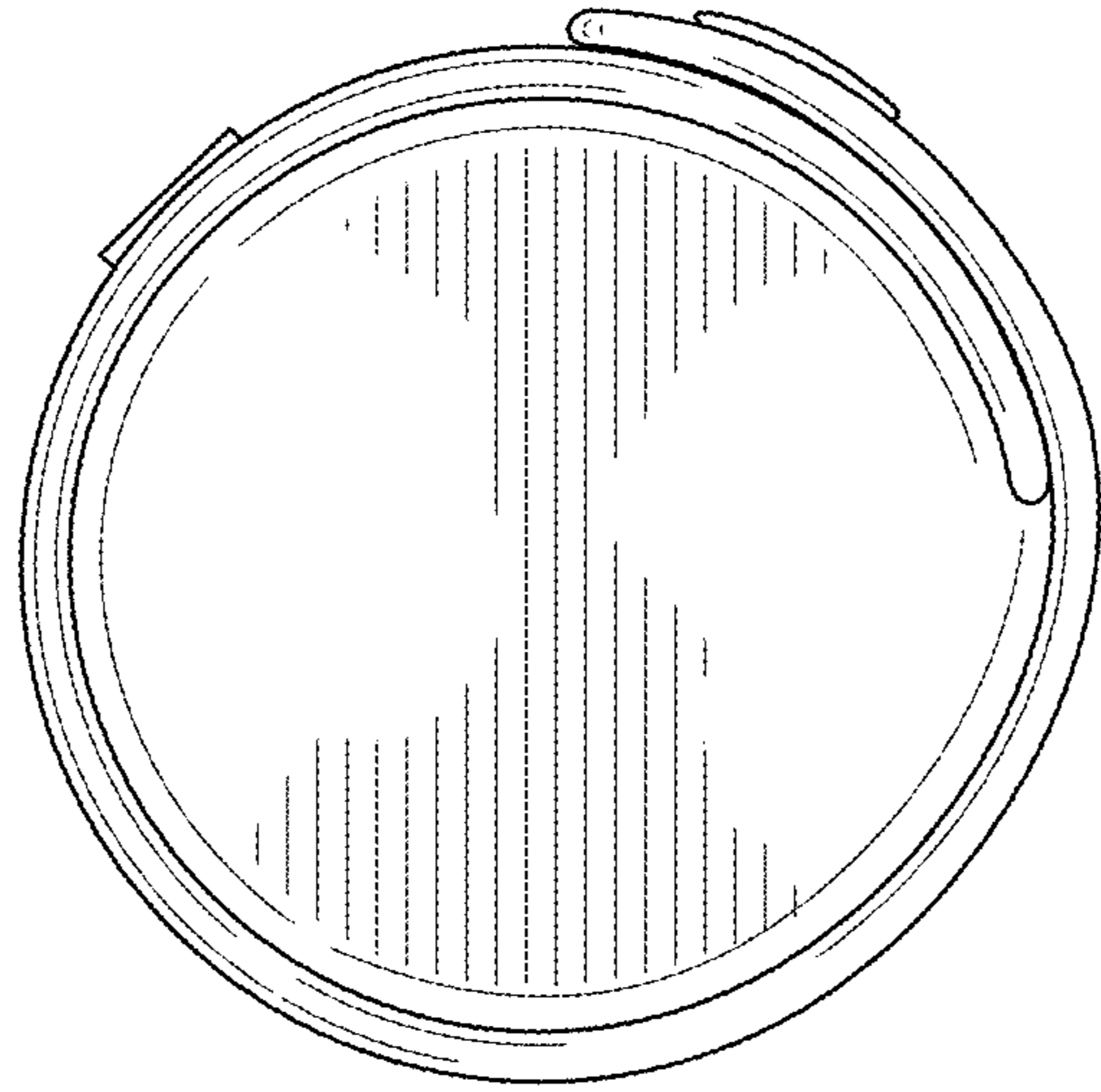


FIG. 6

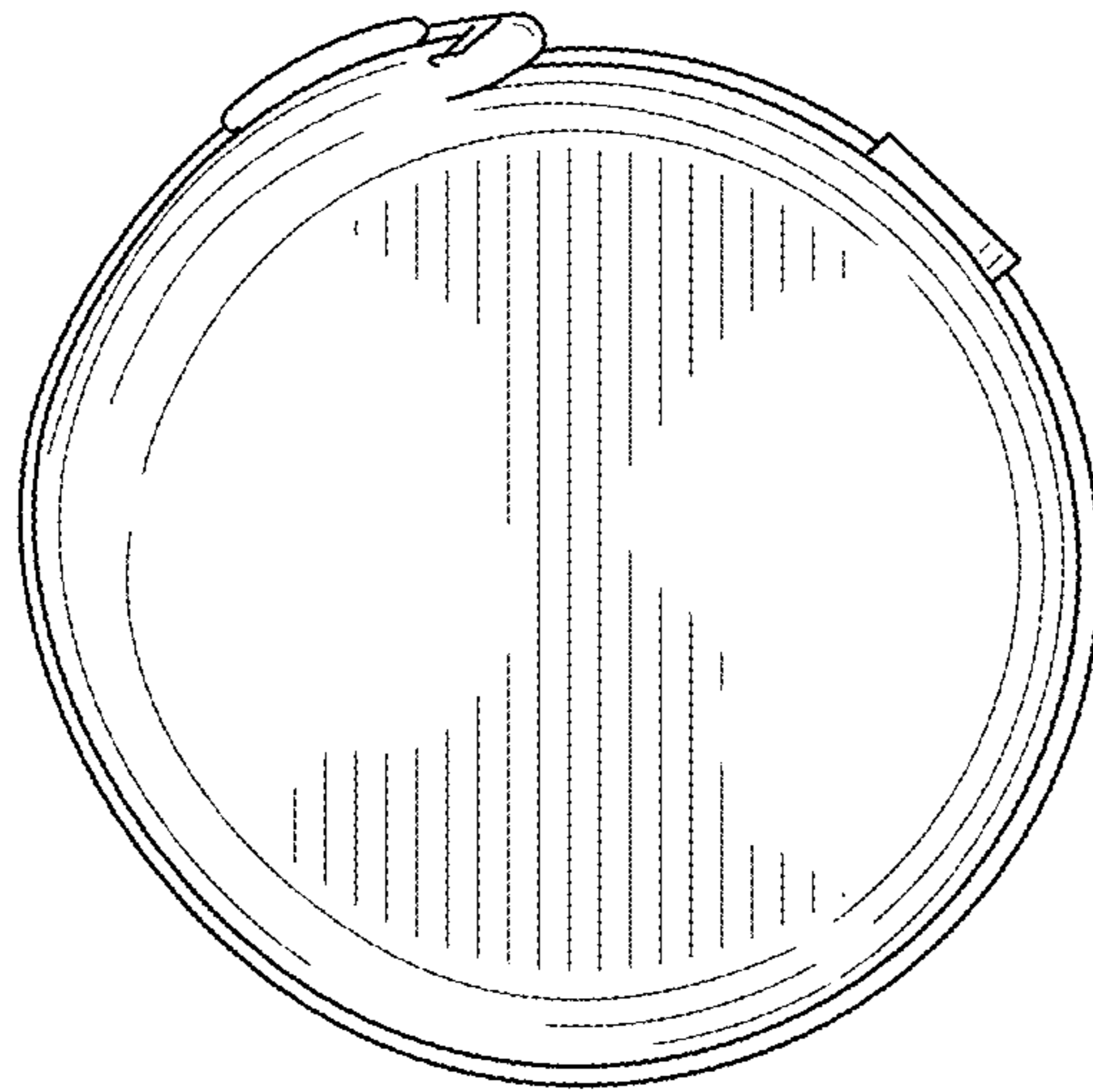


FIG. 7

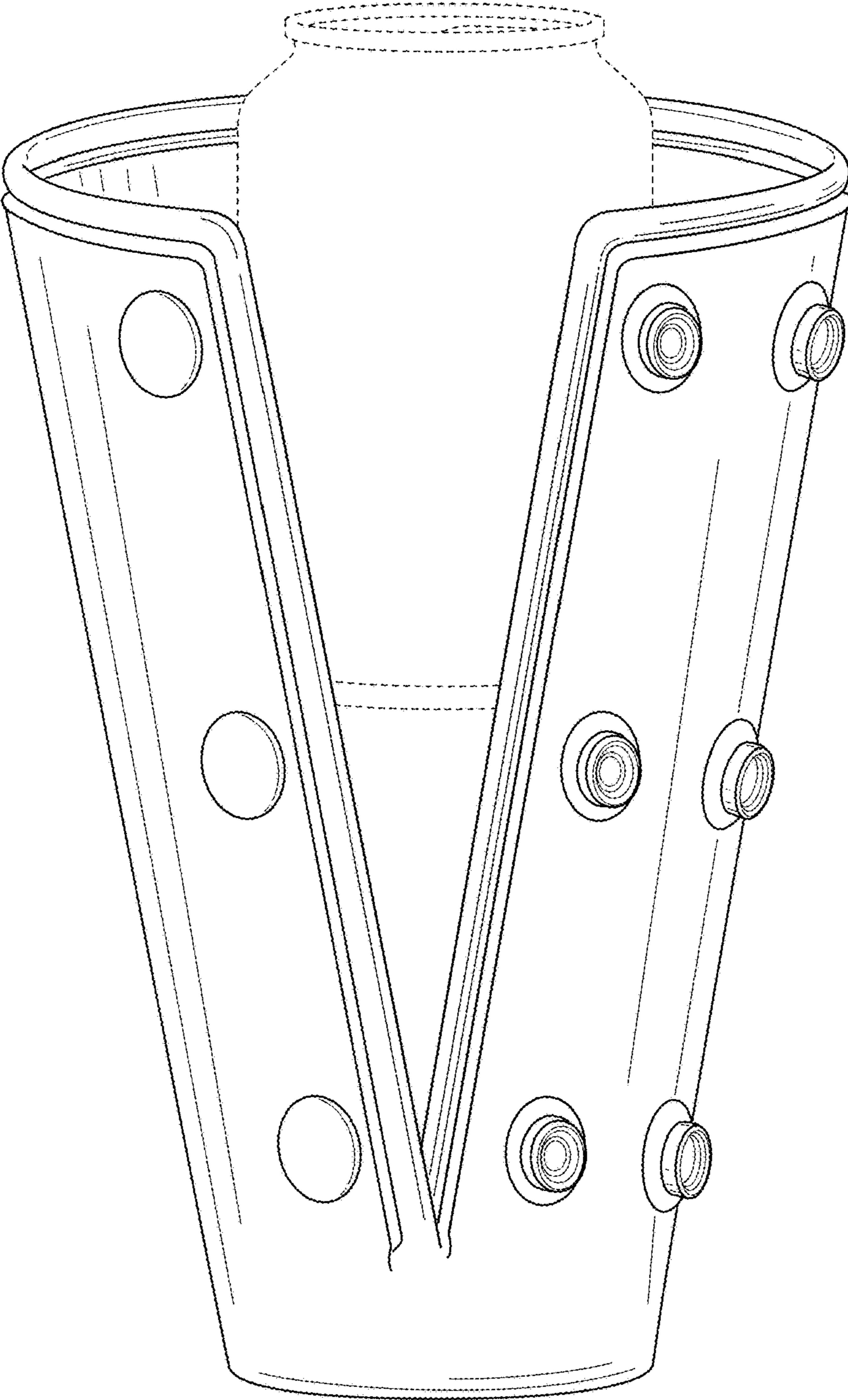


FIG. 8